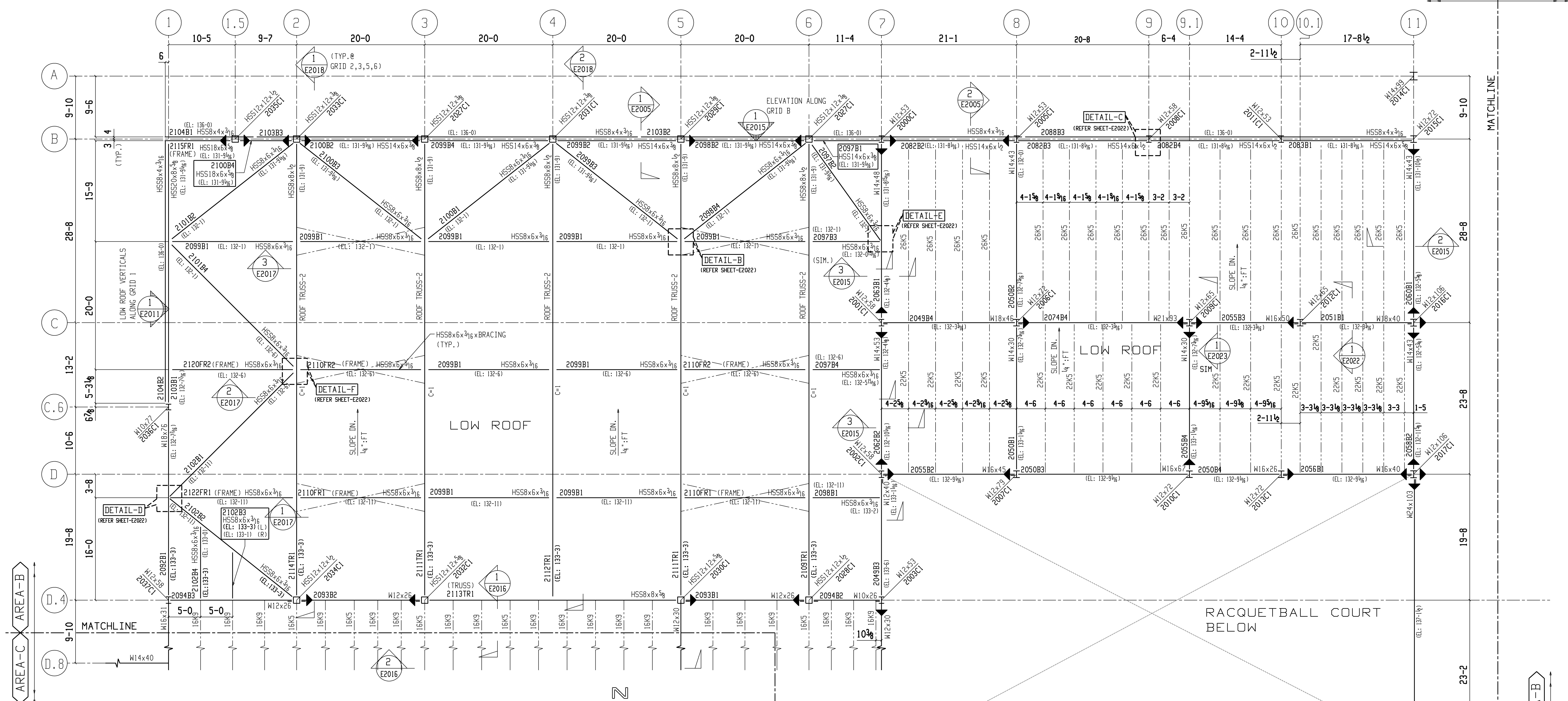


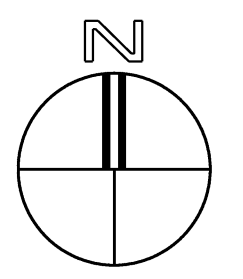
AREA-B AREA-A



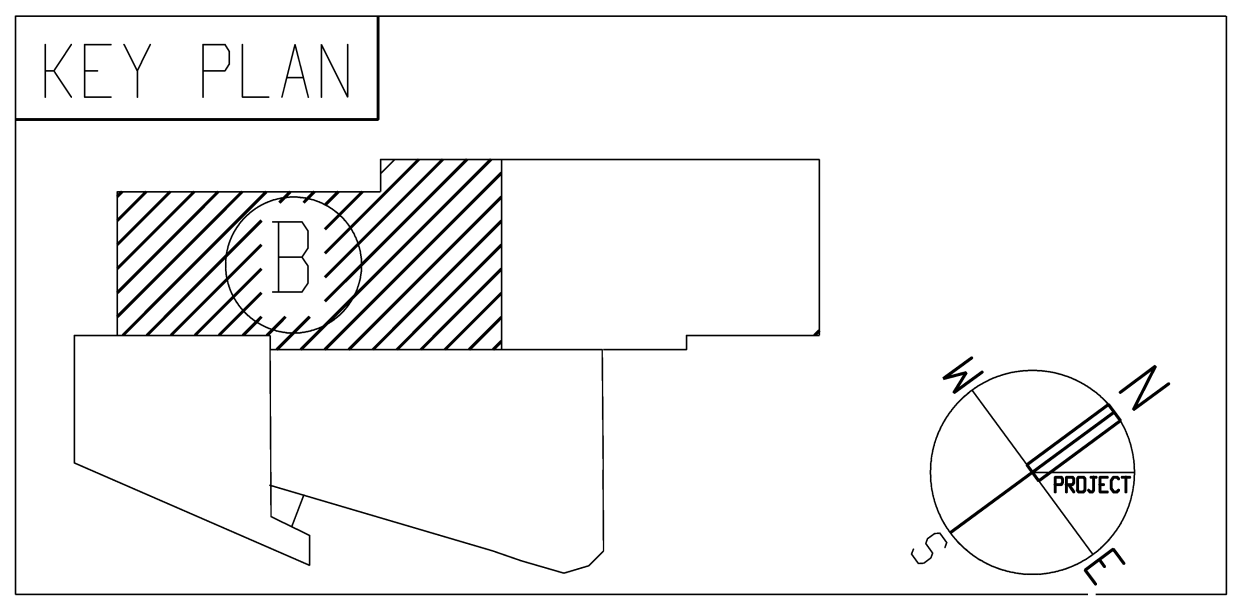
AREA#B LOW ROOF FRAMING PLAN

(T.O.S. ELEVATION : 133-3 U.N.O.)
(REF DWG. -1/SO142)

- ◆ --- INDICATES MOMENT CONNECTIONS
- (L) --- INDICATES LEFT ELEVATION
- (R) --- INDICATES RIGHT ELEVATION
- INDICATES SHEAR TAB CONNECTION DIRECTIONS
- C=XX --- INDICATES CAMBER MARK OF BEAM

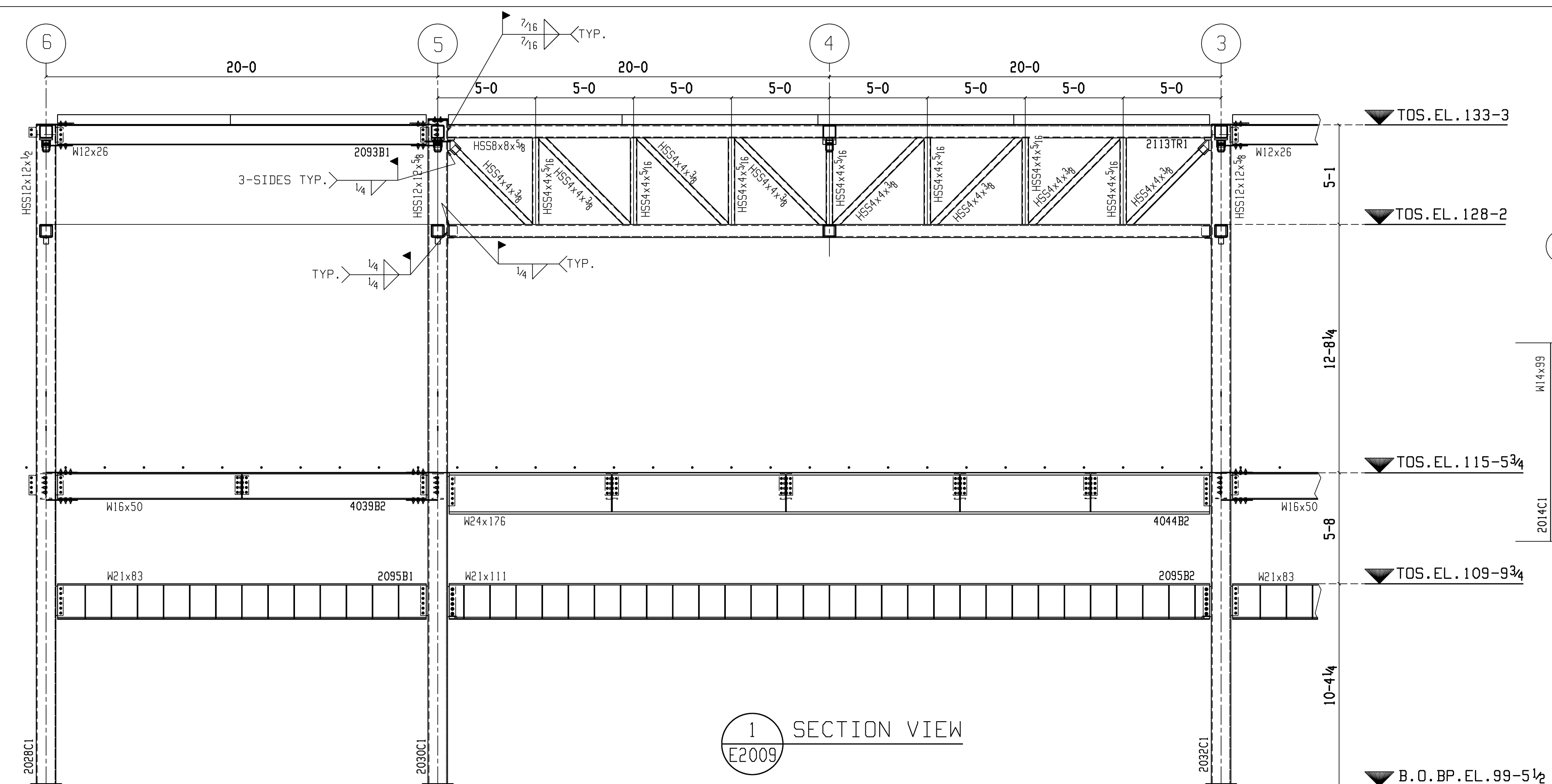


FOR MOMENT CONNECTION DETAIL REFER SHEET E2016



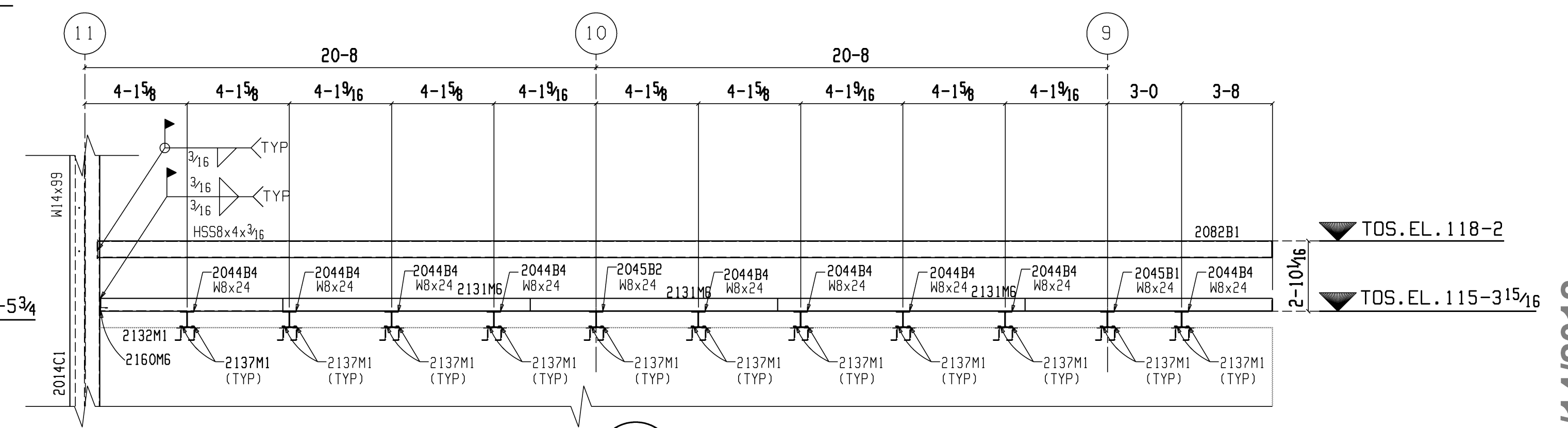
A	05-12-2012	SUBMITTAL FOR APPROVAL	PPP
REV NO	DATE	DESCRIPTION	MADE BY
REVISION SCHEDULE			
MATERIAL: _____		GEIGER & PETERS, INC.	
CLEANING: ---		INDIANAPOLIS, INDIANA	
SHOP PAINT: ---		U OF L STUDENT RECREATION CENTER	
WELD ELECTRODE: E70XX		BELNAP CAMPUS, 2030 SOUTH STREET	
OPEN HOLES: 13/16 HOLES (U.N.O.)		LOUISVILLE, KENTUCKY	
SHOP BOLTS: _____	DWN. BY	CHK'D BY	SHT. #
REF. DWG'S. S0142	VH	SP	E2004
			JOB #
			12-012

FOR APPROVAL ONLY (NOT FOR CONSTRUCTION): 5/14/2012

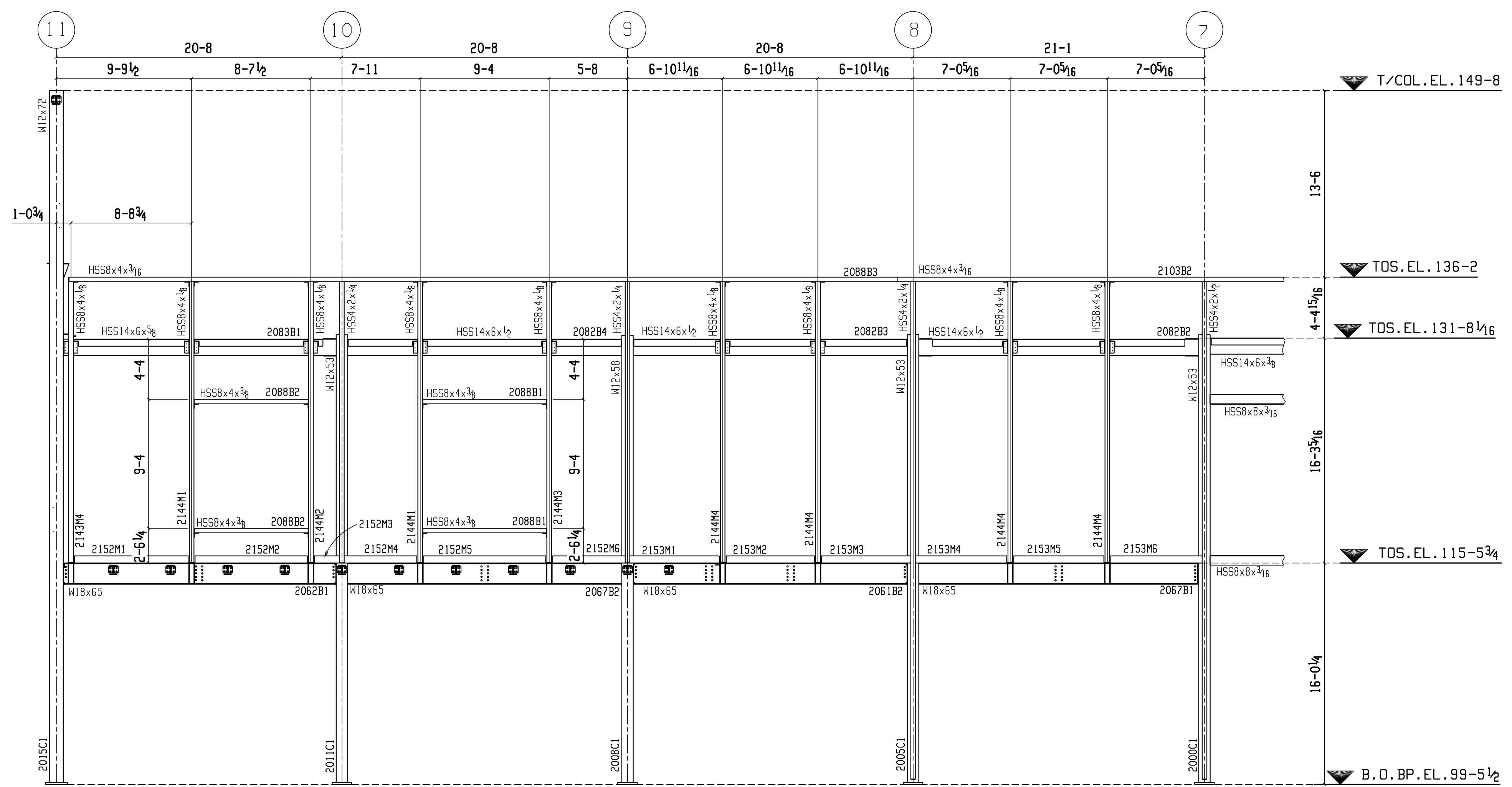


1 SECTION VIEW
E2009

ELEVATION @ GRID LINE "D.4"
(LOOKING SOUTH) (REF. SECTION 2/S0153)



2 SECTION VIEW
E2009

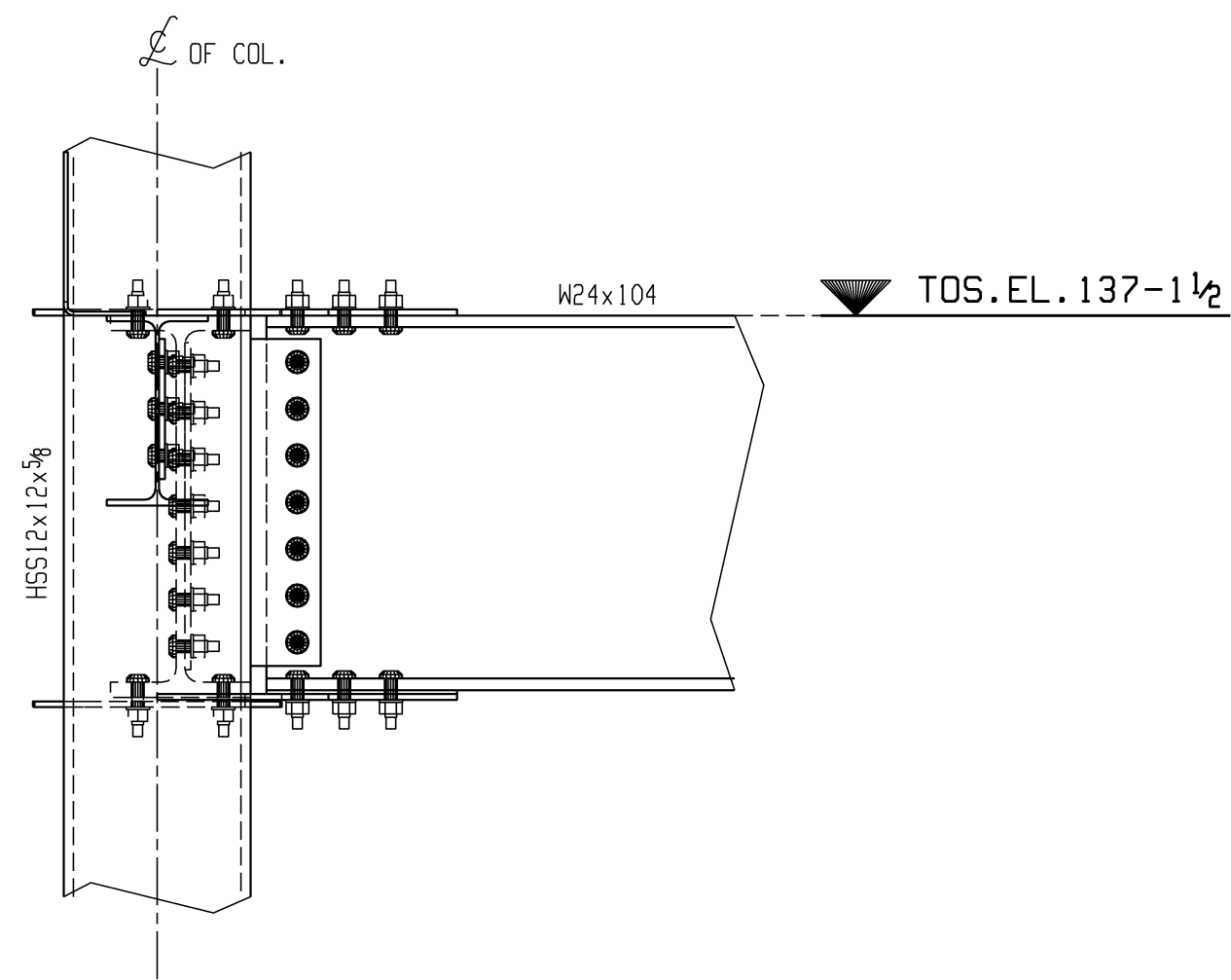


ELEVATION @ GRID LINE "B"
(LOOKING SOUTH)

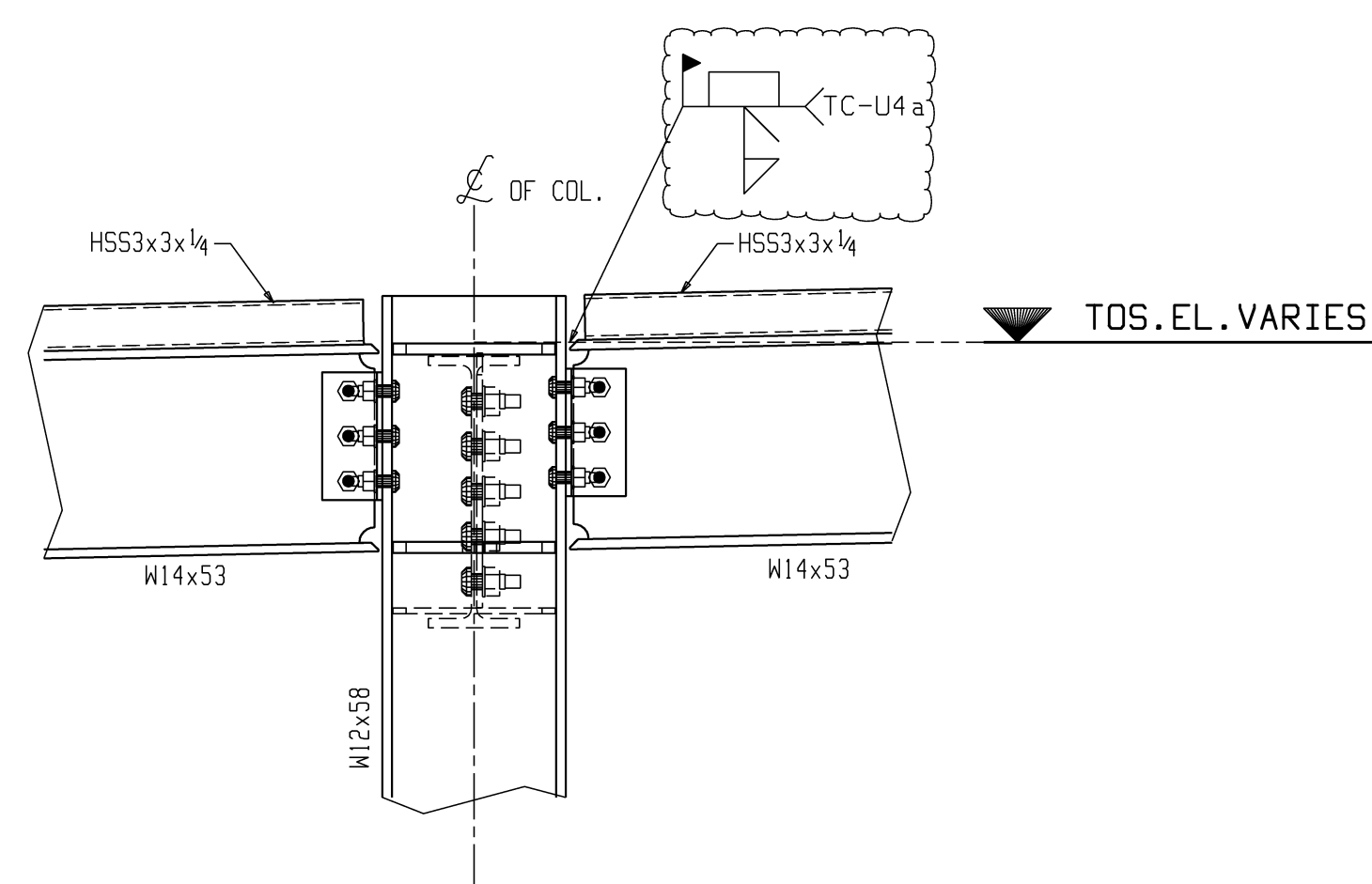
FOR SECTIONS MARKING REFER SHEETS E2000 & E2001

A	05-12-2012	SUBMITTAL FOR APPROVAL	PPP
REV NO	DATE	DESCRIPTION	MADE BY
REVISION SCHEDULE			
MATERIAL: _____		GEIGER & PETERS, INC.	
CLEANING: ---		INDIANAPOLIS, INDIANA	
SHOP PAINT: ---		U OF L STUDENT RECREATION CENTER	
WELD ELECTRODE: E70XX		BELNAP CAMPUS, 2030 SOUTH STREET	
OPEN HOLES: 13/16 HOLES (U.N.O.)		LOUISVILLE, KENTUCKY	
SHOP BOLTS: _____	DWN. BY	CHK'D BY	SHT. #
REF. DWG'S: S0153	VH	SP	E2009
			JOB #
			12-012

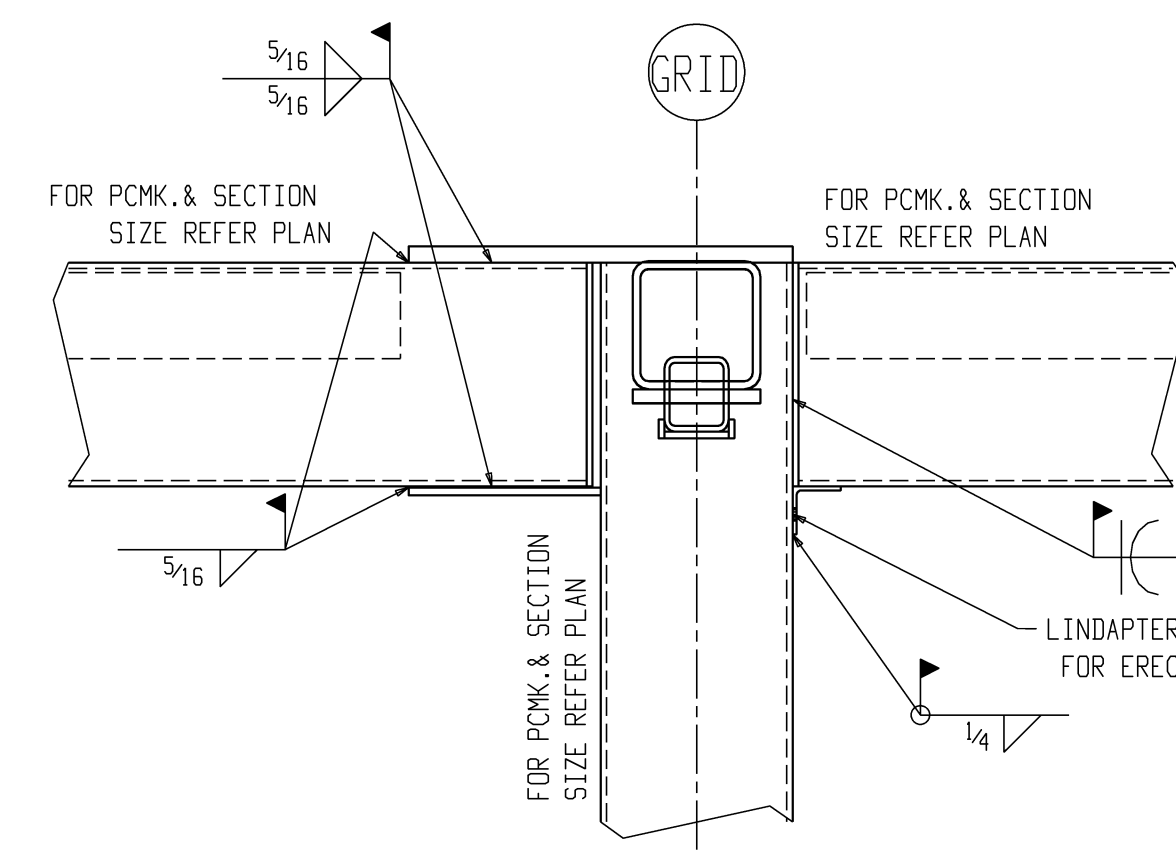
FOR APPROVAL ONLY (NOT FOR CONSTRUCTION): 5/14/2012



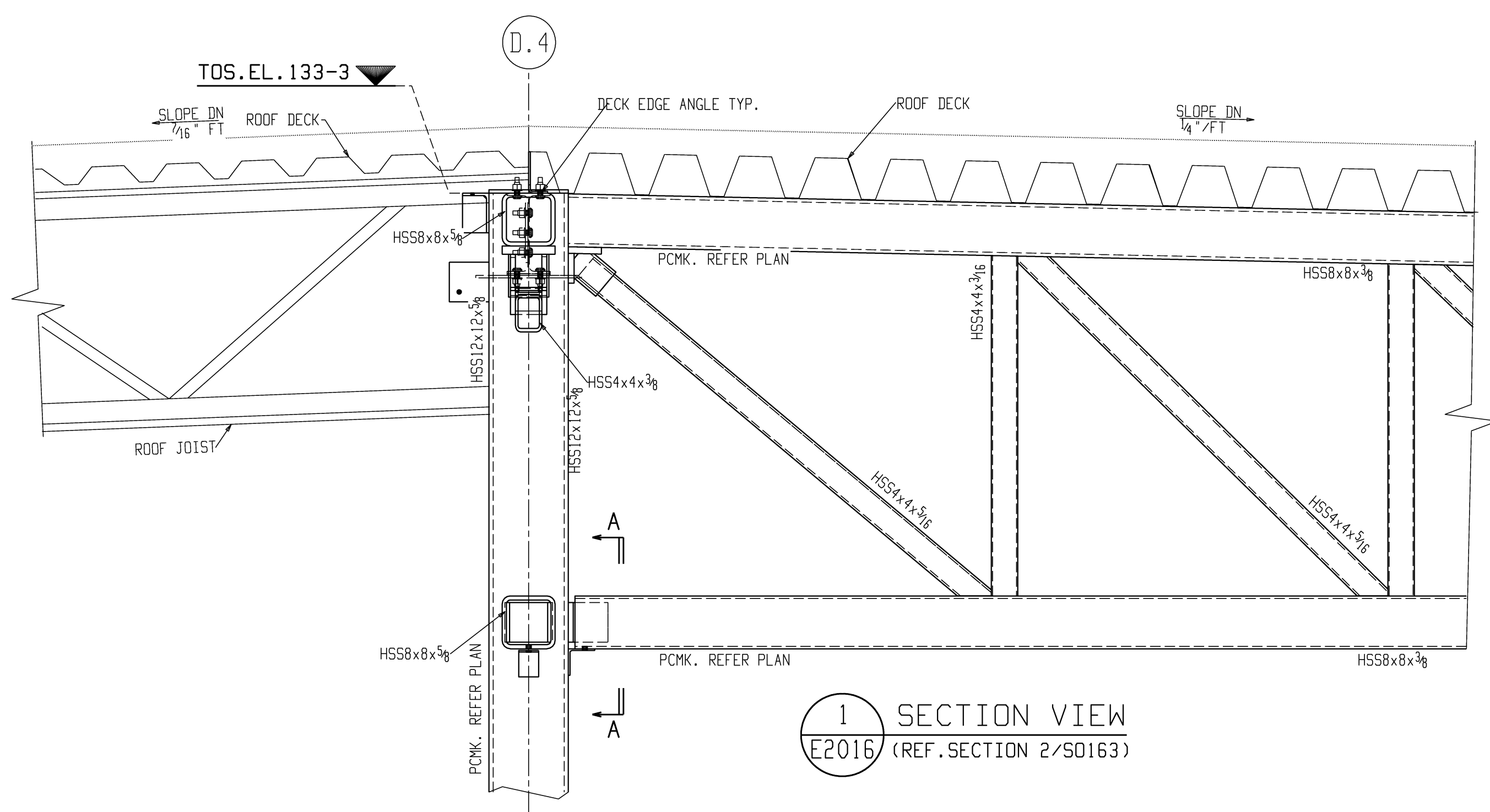
TYPICAL BEAM TO HSS COL. MOMENT CONNECTION DETAIL



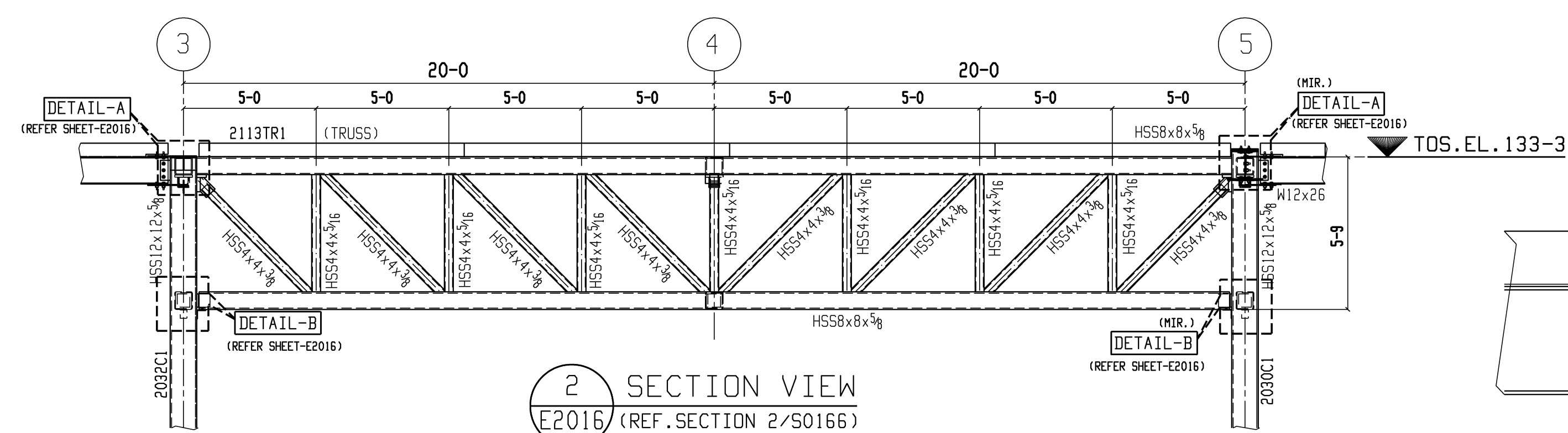
TYPICAL W COL. TO W BEAM MOMENT CONNECTION DETAIL



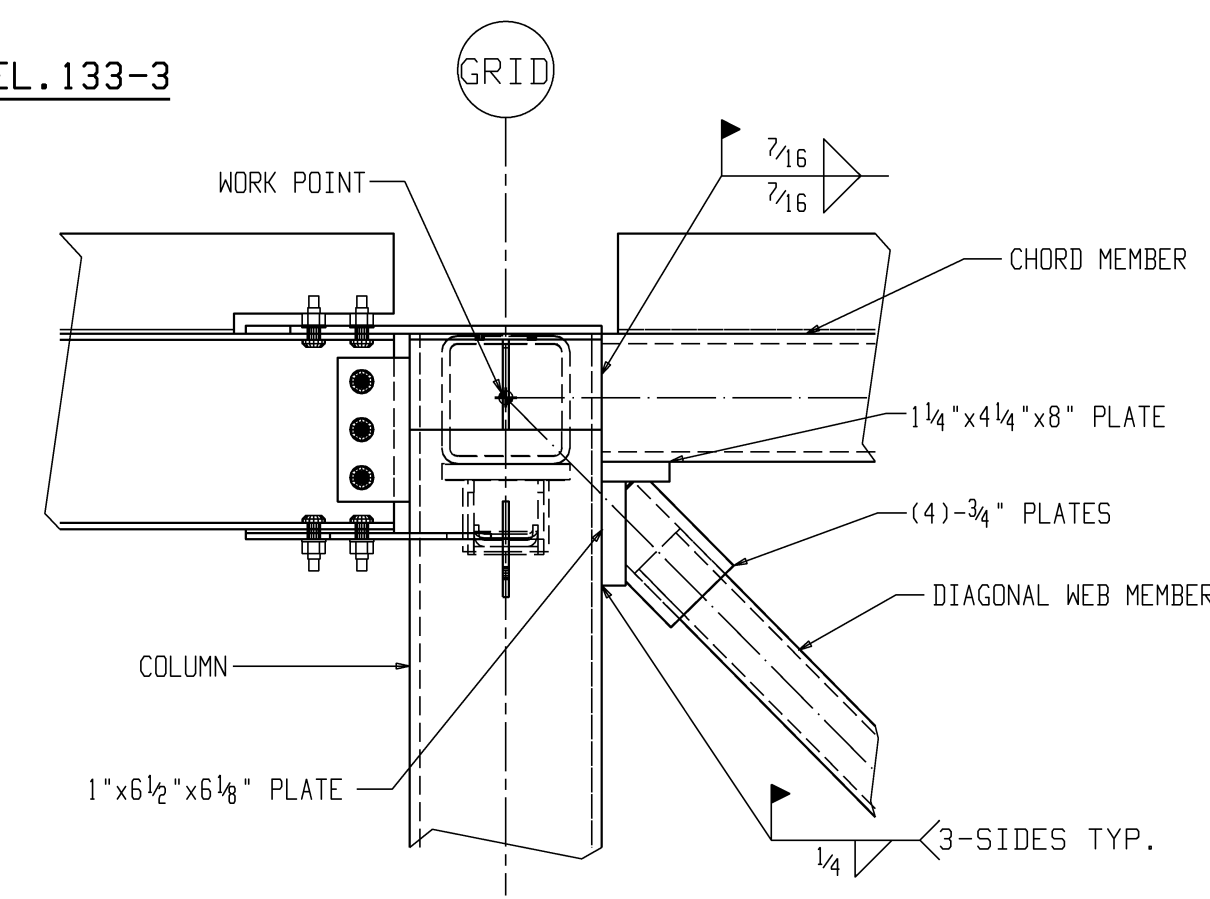
TYPICAL HSS TO HSS COL. MOMENT CONNECTION DETAIL



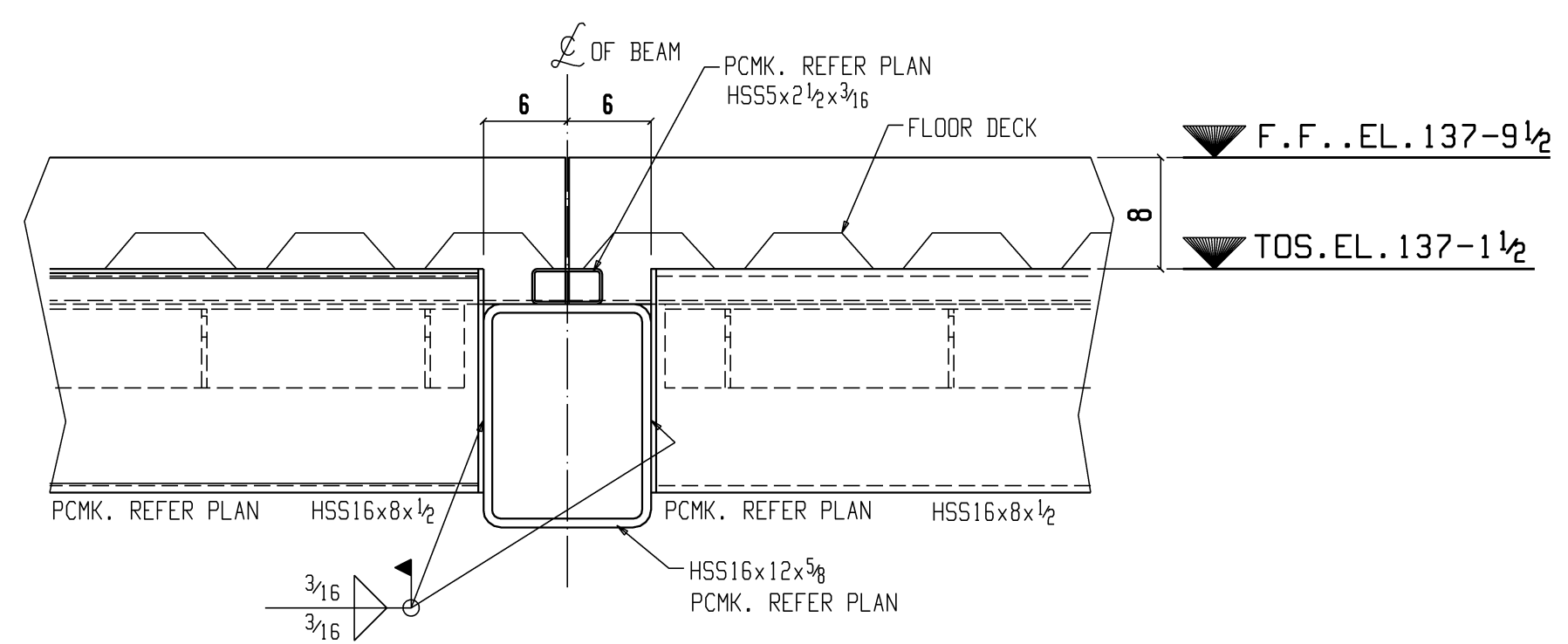
1 SECTION VIEW E2016 (REF. SECTION 2/S0166)



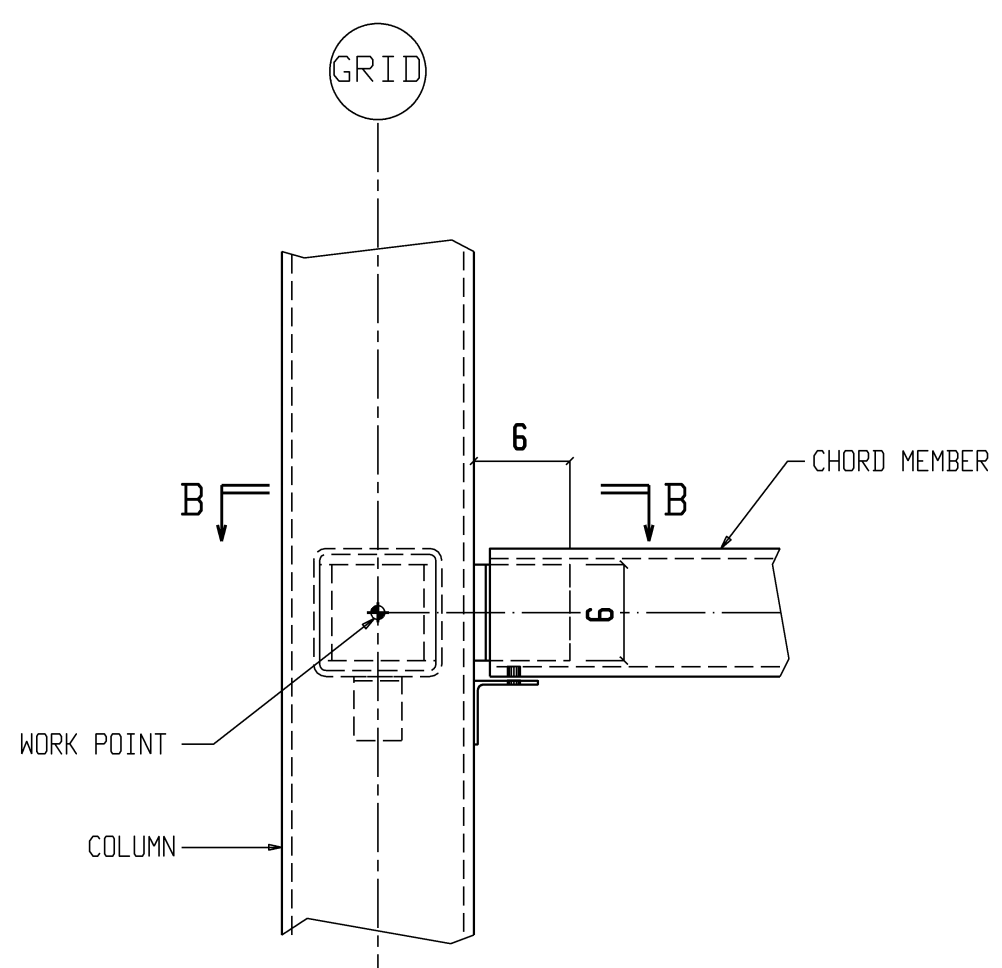
2 SECTION VIEW E2016 (REF. SECTION 2/S0166)



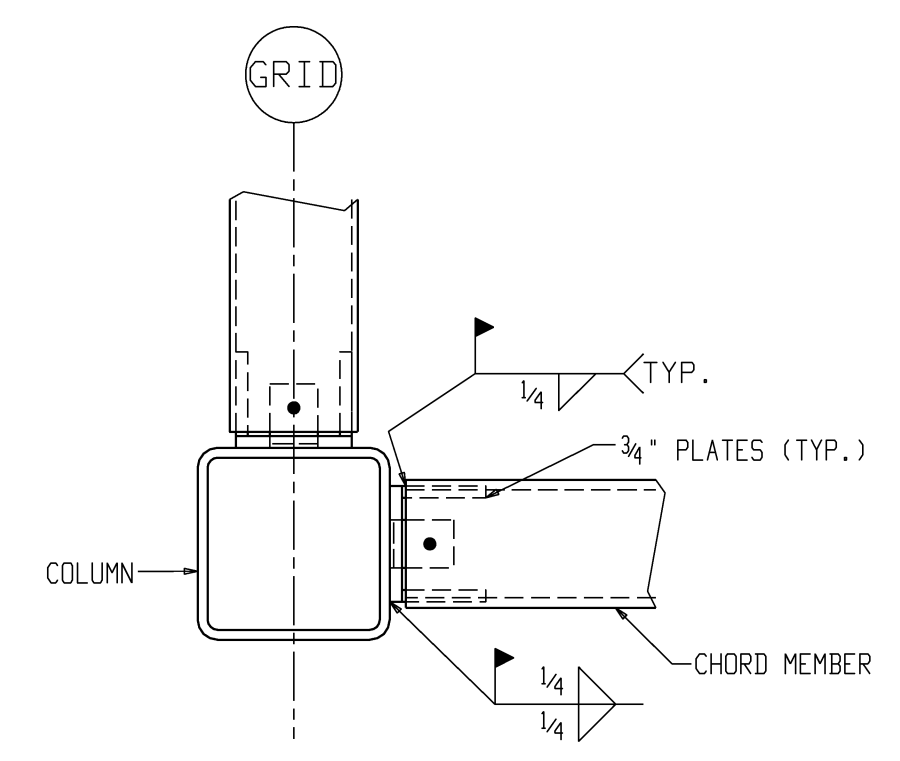
DETAIL-A (REFER SAME SHEET) (REF. DWG. H/S4)



SECTION A-A (REF. SECTION 6/S0163)



DETAIL-B (REFER SAME SHEET) (REF. DWG. G/S4)

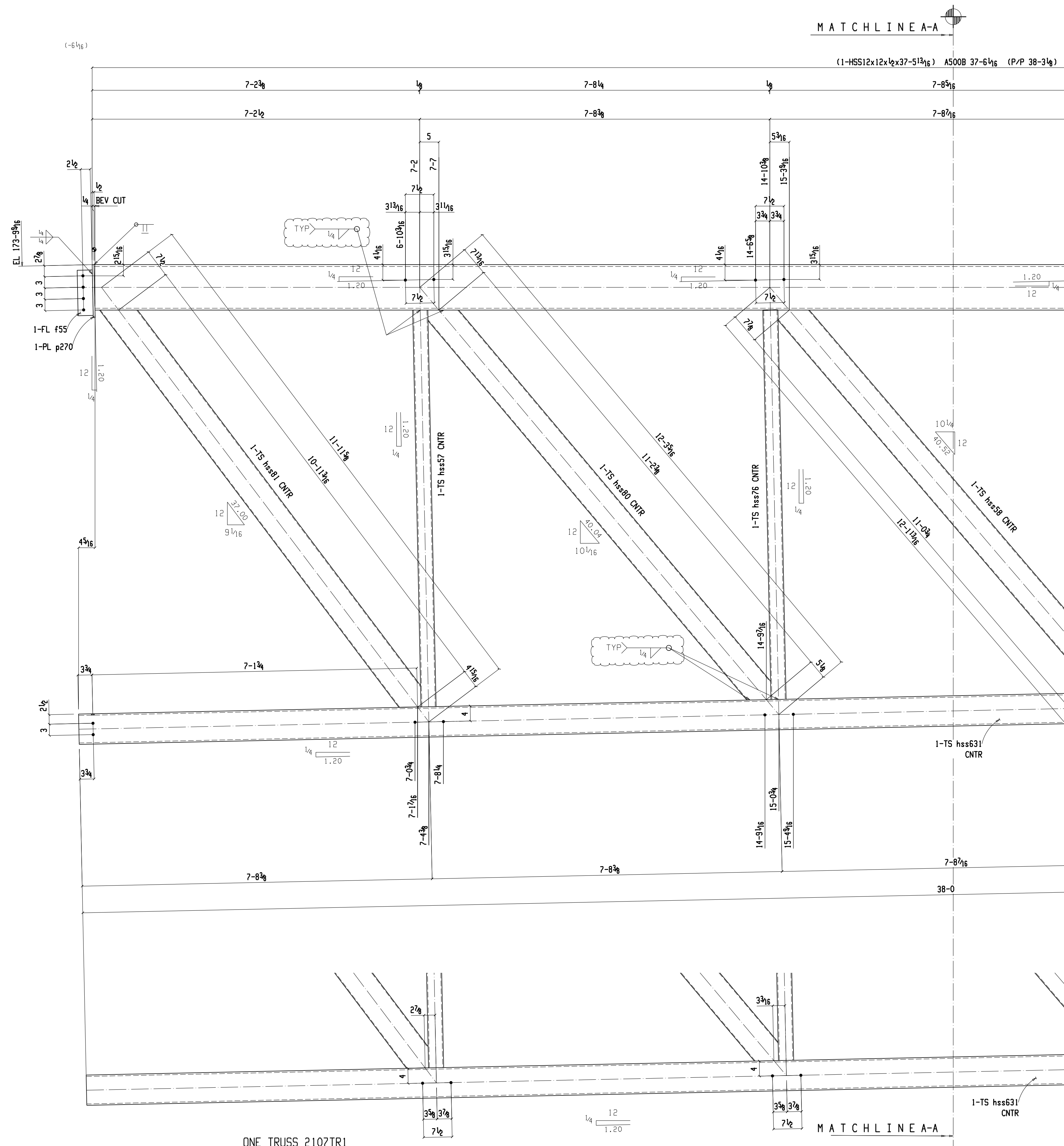


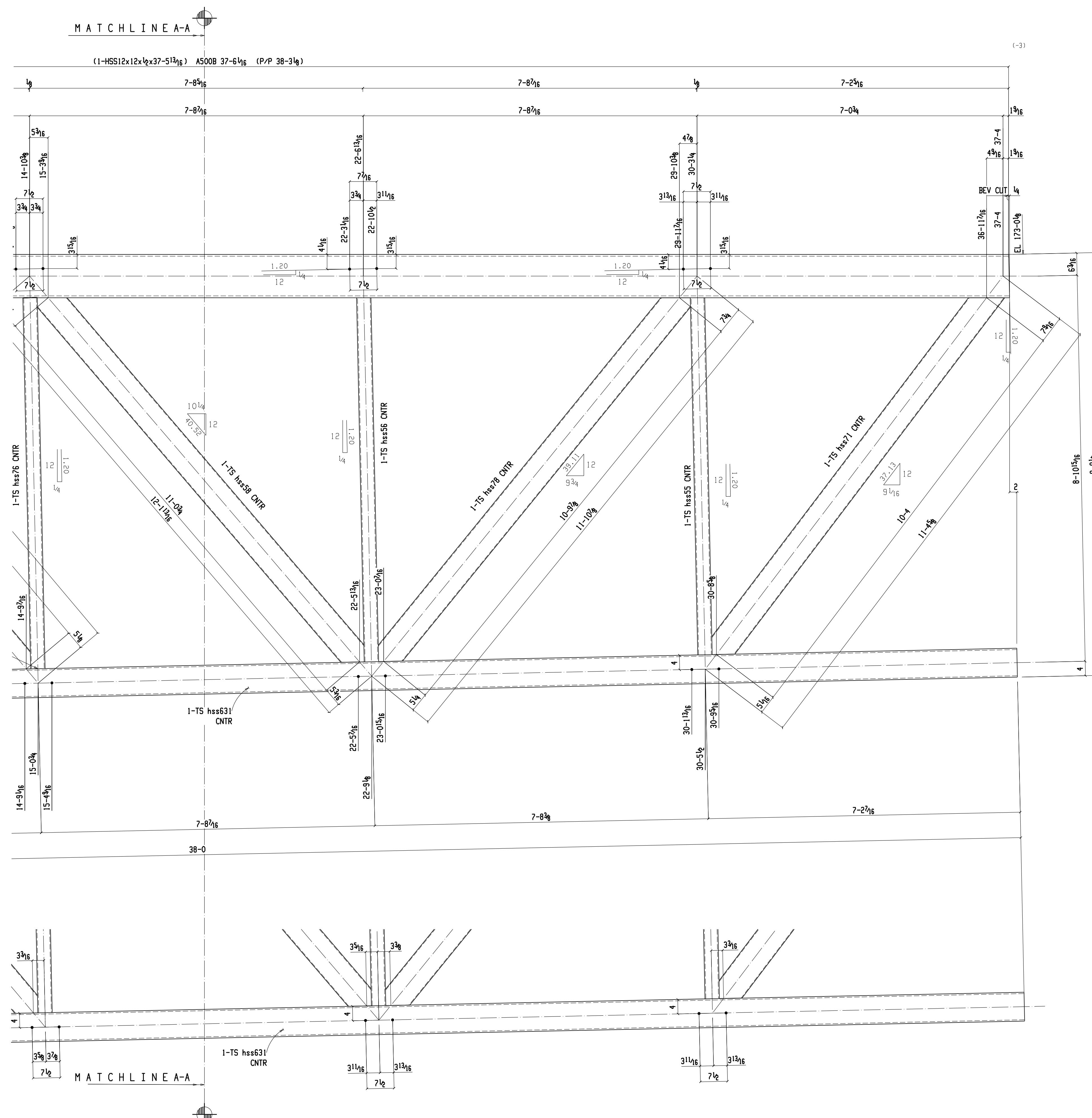
SECTION B-B (REF. SECTION 2/S4)

APPROVER PLEASE VERIFY CLOUDED ITEMS

REV NO	DATE	DESCRIPTION	PPM MADE BY
A	05-12-2012	SUBMITTAL FOR APPROVAL	PPP
REVISION SCHEDULE			
MATERIAL: _____		GEIGER & PETERS, INC.	
CLEANING: ---		INDIANAPOLIS, INDIANA	
SHOP PAINT: ---		U OF L STUDENT RECREATION CENTER	
WELD ELECTRODE: E70XX		BELNAP CAMPUS, 2030 SOUTH STREET	
OPEN HOLES: 13/16 HOLES (U.N.D.)		LOUISVILLE, KENTUCKY	
SHOP BOLTS: _____	DWN. BY	CHK'D BY	SHT. #
REF. DWG'S: S0142, S0162	VH	SP	E2016
			JOB #
			12-012

FOR APPROVAL ONLY (NOT FOR CONSTRUCTION): 5/14/2012

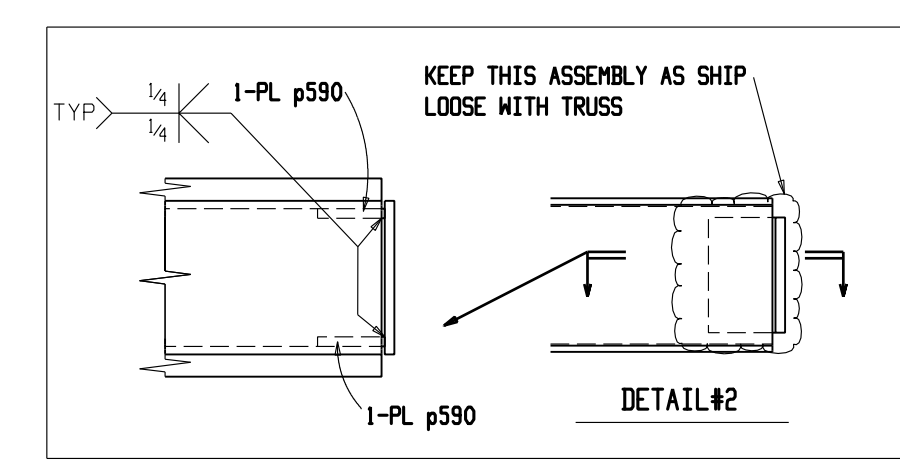
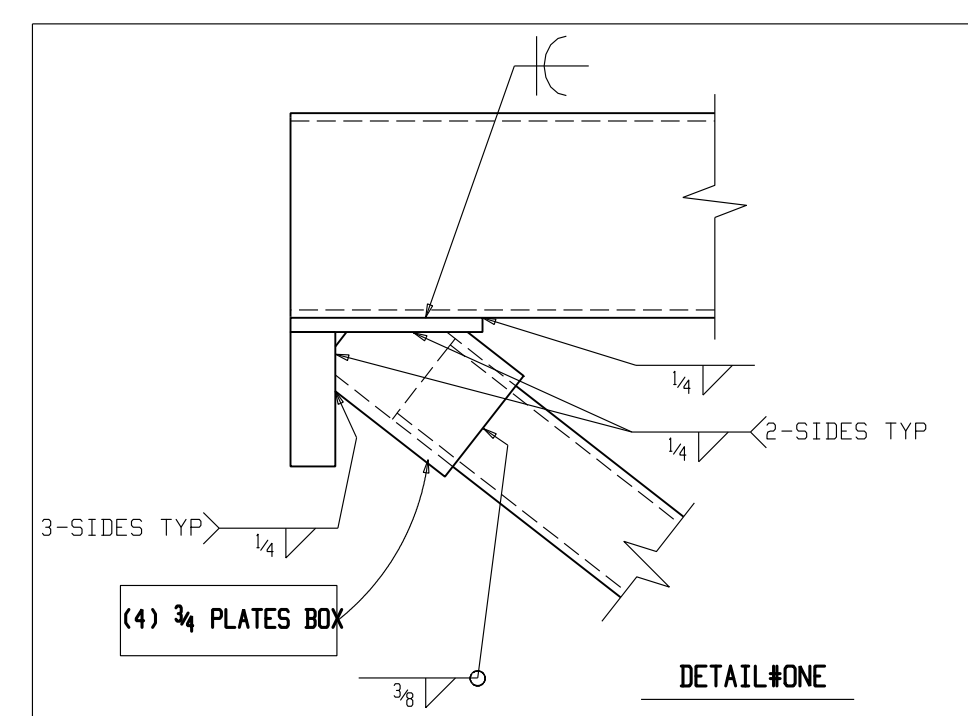
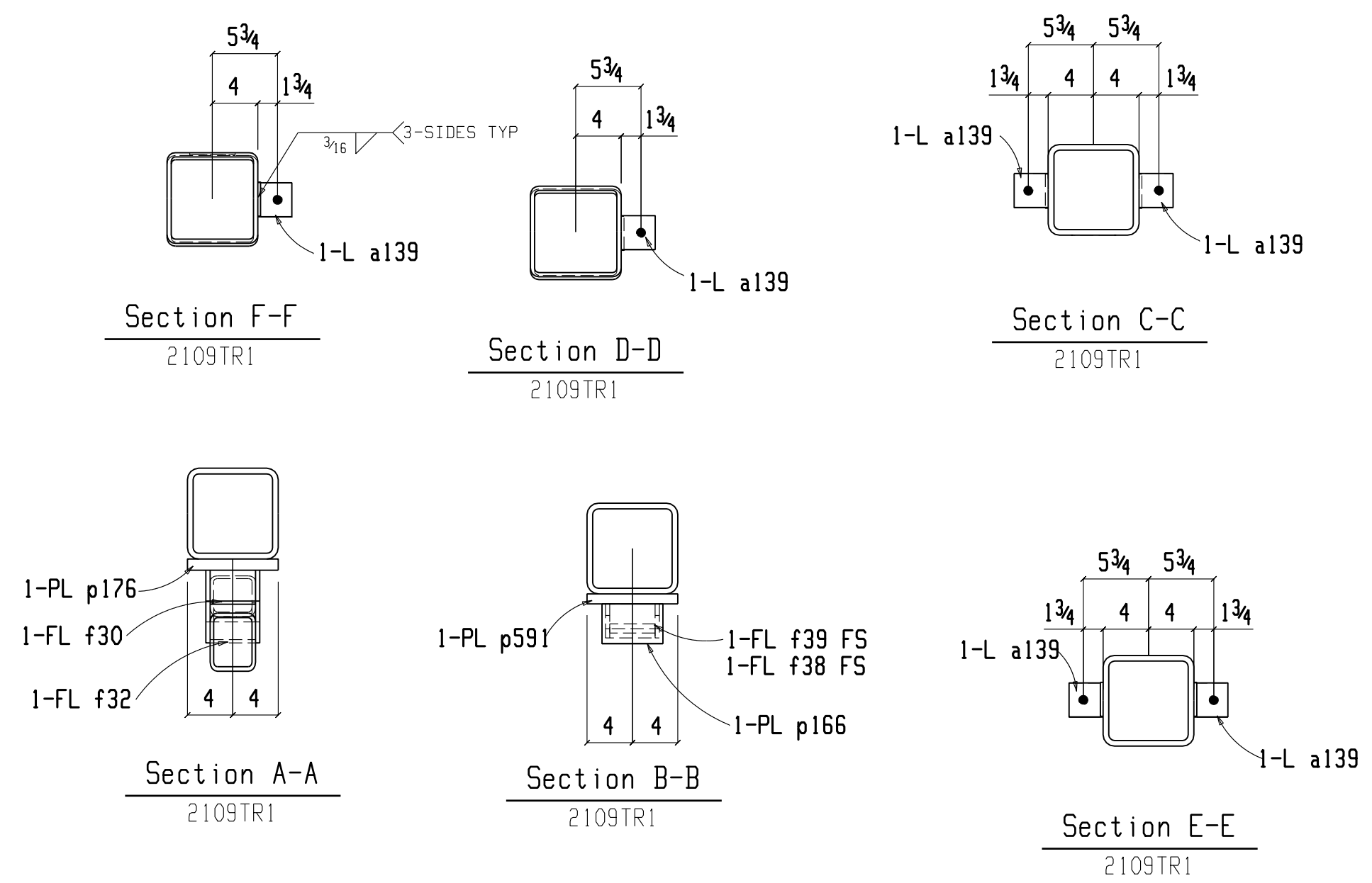




FIELD BOLTS					
CLEANING	SP7				
PAINT	INTUMESCENT PAINT				
MATERIAL	A36 (U.N.D.)				
HOLES	1 3/16 HOLES (U.N.D.)				
ELECTRODES	E70XX LOW HYDROGEN	A	05-12-2012	ISSUED FOR APPROVAL	
TOTAL WEIGHT		NO	DATE	DESCRIPTION	NO
DIAG. REF #	E1004	REVISIONS			

GEIGER & PETERS INC. INDIANAPOLIS, INDIANA				PROD. CODE 70
DRAFTER DATE CHECKED DATE	PPP 10-MAY-2012 SAD 12-MAY-2012	CUSTOMER UNIVERSITY OF LOUISVILLE STRUCTURE STUDENT RECREATION CENTER	CONTRACT NO 12-012 DWG NO 2107A	

WORK THIS SHEET WITH SHEET 2107



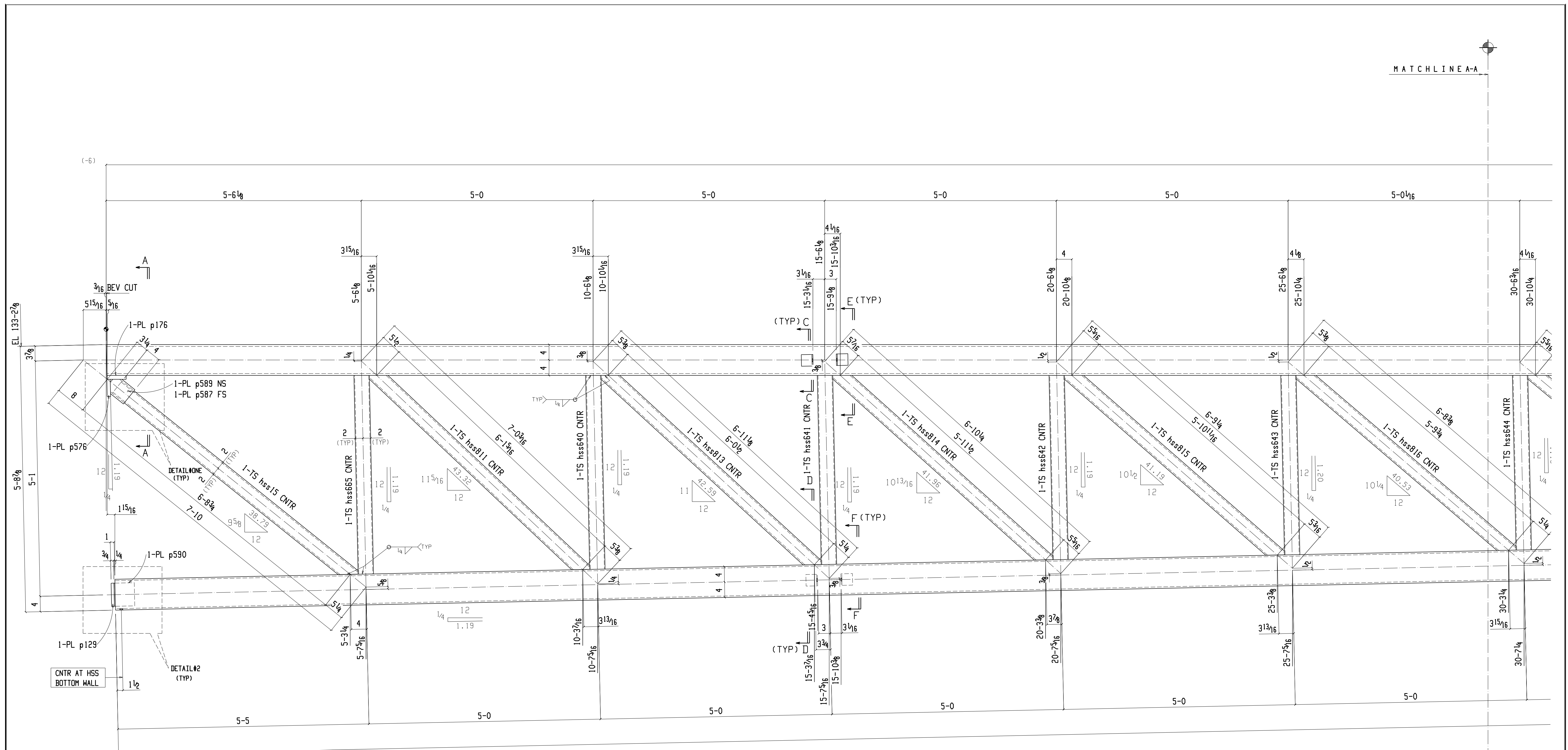
BILL OF MATERIAL

SEQ#	QTY	TOTAL	SECTION	WEIGHT /FT	LENGTH FT/IN	ASSEM MARK	SHIPPING MARK	STEEL GRADE	FINISH	REMARKS	PAGE /LINE	WEIGHT TOTAL
15	1	ONE	TRUSS	7959			2109TR1		PNT		11-49	7959
			1 HSS8x8x1/2	3470	71 03/8	2109TR1		A500B		C=1 B2E		3470
			1 HSS8x8x3/8	2670	70 10	hss535		A500B				2670
			1 HSS4x4x3/16	98	6 7	hss15		A500B				98
			1 HSS4x4x3/16	94	6 4	hss811		A500B				94
			1 HSS4x4x3/16	93	6 33/16	hss813		A500B				93
			1 HSS4x4x3/16	92	6 23/16	hss814		A500B				92
			1 HSS4x4x3/16	91	6 11/2	hss815		A500B				91
			1 HSS4x4x3/16	90	6 011/16	hss816		A500B				90
			1 HSS4x4x3/16	89	5 1113/16	hss817		A500B				89
			1 HSS4x4x3/16	87	5 107/16	hss818		A500B				87
			1 HSS4x4x3/16	86	5 911/16	hss819		A500B				86
			1 HSS4x4x3/16	85	5 813/16	hss820		A500B				85
			1 HSS4x4x3/16	84	5 83/16	hss821		A500B				84
			1 HSS4x4x3/16	83	5 71/2	hss822		A500B				83
			1 HSS4x4x3/16	83	5 613/16	hss823		A500B				83
			1 HSS4x4x3/16	82	5 611/16	hss824		A500B				82
			1 HSS4x4x3/16	40	4 33/16	hss825		A500B				40
			1 HSS4x4x3/16	39	4 23/16	hss840		A500B				39
			1 HSS4x4x3/16	39	4 11/16	hss841		A500B				39
			1 HSS4x4x3/16	38	3 1113/16	hss842		A500B				38
			1 HSS4x4x3/16	37	3 103/16	hss843		A500B				37
			1 HSS4x4x3/16	36	3 93/16	hss844		A500B				36
			1 HSS4x4x3/16	35	3 81/16	hss845		A500B				35
			1 HSS4x4x3/16	34	3 613/16	hss846		A500B				34
			1 HSS4x4x3/16	33	3 53/16	hss847		A500B				33
			1 HSS4x4x3/16	32	3 43/16	hss848		A500B				32
			1 HSS4x4x3/16	31	3 31/16	hss849		A500B				31
			1 HSS4x4x3/16	30	3 1113/16	hss850		A500B				30
			1 HSS4x4x3/16	29	3 03/16	hss851		A500B				29
			18 L3x3x1/4	1	0 3	a139		A36				22
			1 PL1x5	11	0 8	p176		A36				11
			1 PL1x3 1/2	5	0 53/8	p166		A36				5
			1 PL7/8x8	16	0 8	p591		A36				16
			1 PL3/8x4 1/2	6	0 53/8	p576		A36				6
			2 PL3/4x6	9	0 71/4	p129		A36				19
			4 PL3/4x5 1/4	7	0 6	p590		A36				27
			1 PL3/8x4 3/4	4	0 81/2	p592		A36				4
			1 PL3/8x4 3/4	4	0 81/2	p594		A36				4
			1 PL3/8x4 3/4	3	0 63/16	p589		A36				3
			1 PL3/8x4 3/4	3	0 63/16	p587		A36				3
			1 FL3/8x4	3	0 81/8	f39		A36				3
			1 FL3/8x4	2	0 413/16	f38		A36				2
			1 FL3/8x4	2	0 43/4	f30		A36				2
			1 FL3/8x4	2	0 43/8	f32		A36				2

FIELD BOLTS					
CLEANING	SP7				
PAINT	INTUMESCENT PAINT				
MATERIAL	A36 (U.N.D.)				
HOLES	13/16 HOLES (U.N.D.)				
ELECTRODES	E70XX LOW HYDROGEN	A	05-12-2012	ISSUED FOR APPROVAL	
TOTAL WEIGHT		NO	DATE	DESCRIPTION	NO
DIAG. REF #	E2000	REVISIONS			

GEIGER & PETERS INC. INDIANAPOLIS, INDIANA				PROD. CODE 60
DRAFTER	PPP	CUSTOMER	UNIVERSITY OF LOUISVILLE	CONTRACT NO
DATE	10-MAY-2012			12-012
CHECKED	SAD	STRUCTURE	STUDENT RECREATION CENTER	DWG NO
DATE	12-MAY-2012			2109

WORK THIS SHEET WITH SHEET 2109A, B & C

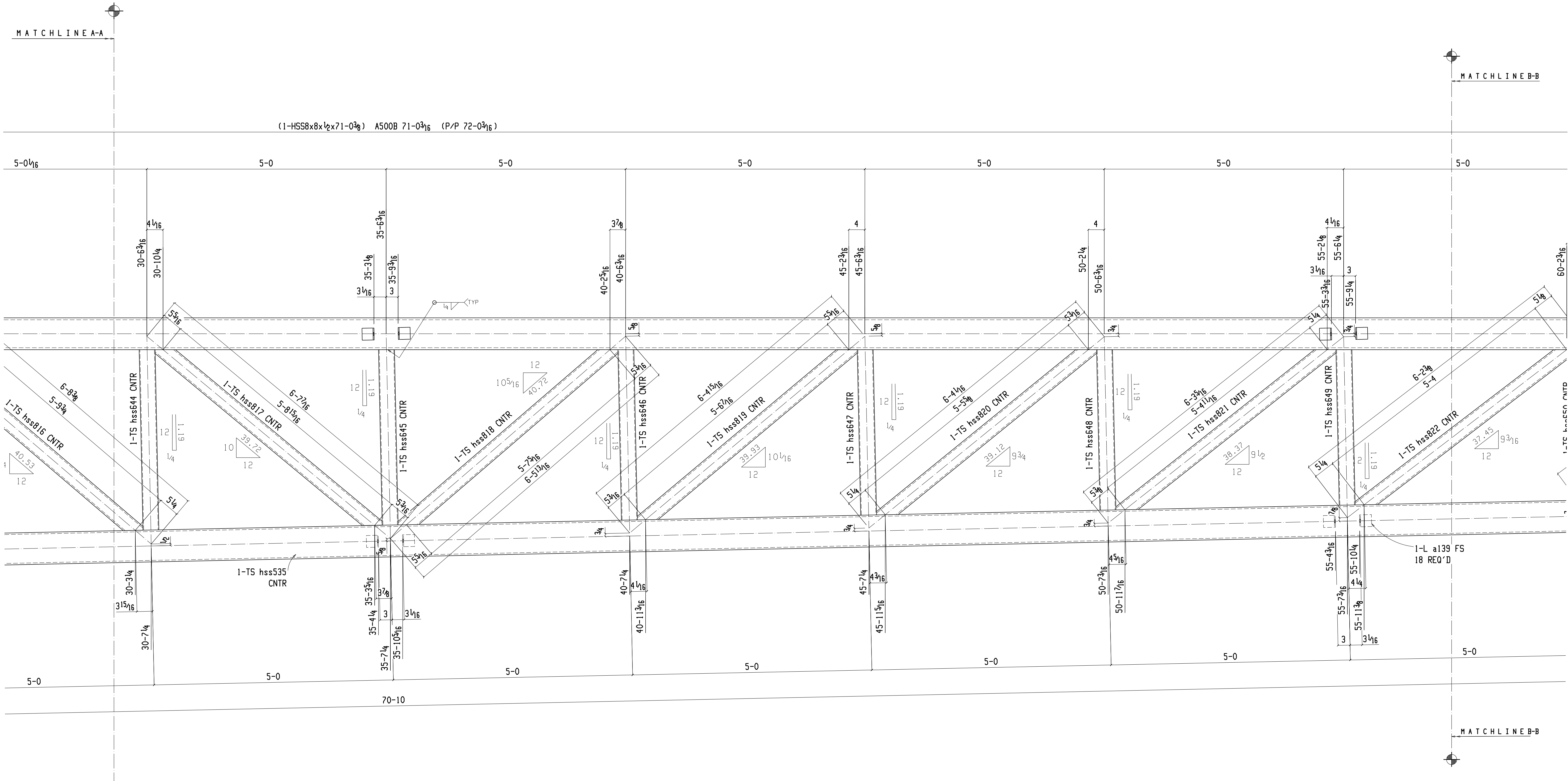


ONE TRUSS 2109TR1

SHOP NOTE:
CAMBER 1 UP

WORK THIS SHEET WITH SHEET 2109, B & C

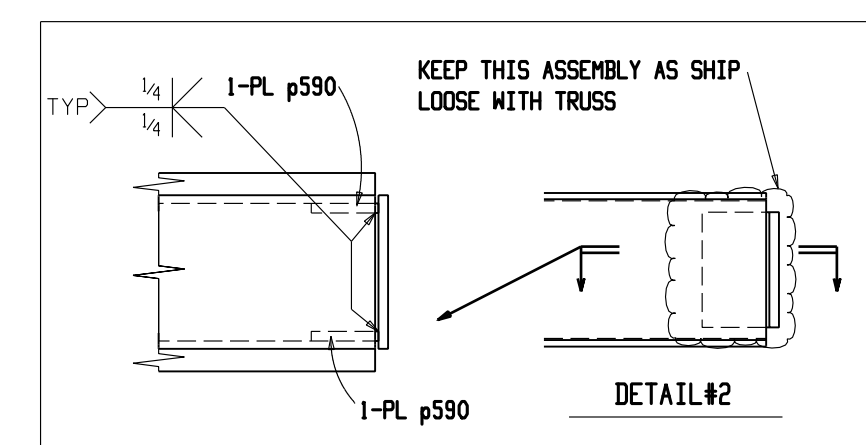
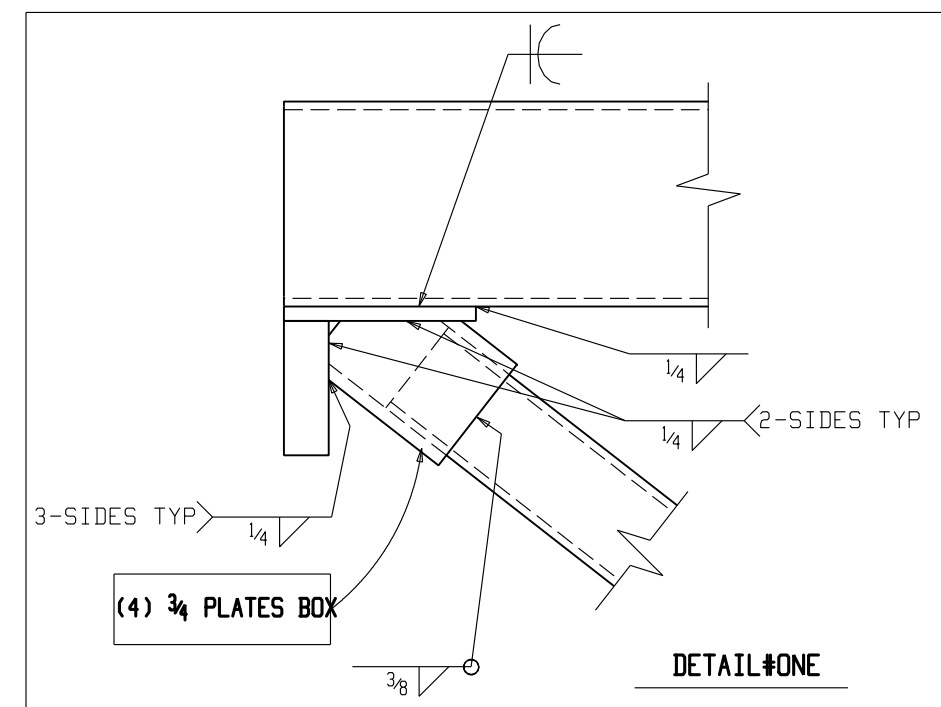
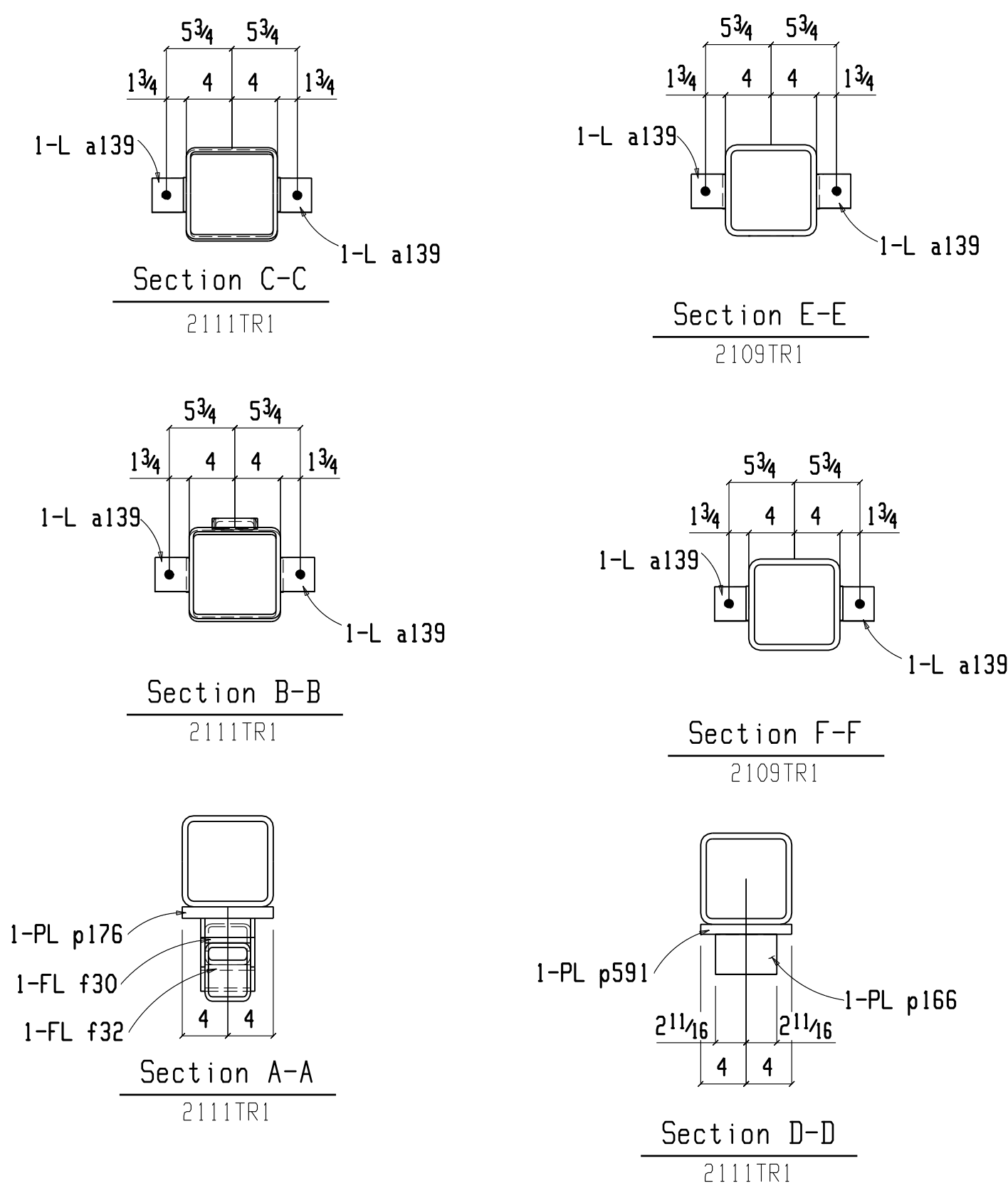
FIELD BOLTS										
CLEANING	SP7									
PAINT	INTUMESCENT PAINT									
MATERIAL	A36 (U.N.D.)									
HOLES	1 3/16 HOLES (U.N.D.)									
ELECTRODES	E70XX LOW HYDROGEN	A	05-12-2012	ISSUED FOR APPROVAL						
TOTAL WEIGHT										
DIAG. REF #	E1004									
<p>GEIGER & PETERS INC. INDIANAPOLIS, INDIANA</p>									<p>PROD. CODE 70</p>	
DRAFTER	PPP	CUSTOMER	UNIVERSITY OF LOUISVILLE						CONTRACT NO	12-012
DATE	10-MAY-2012	STRUCTURE	STUDENT RECREATION CENTER						DWG NO	2109A
CHECKED	SAD									
DATE	12-MAY-2012									



(1-HSS8x8x1/2x71-0 3/8) A500B 71-0 3/16 (P/P 72-0 3/16)

FIELD BOLTS					
CLEANING	SP7				
PAINT	INTUMESCENT PAINT				
MATERIAL	A36 (U.N.D.)				
HOLES	1 3/16 HOLES (U.N.O.)				
ELECTRODES	E70XX LOW HYDROGEN	A	05-12-2012	ISSUED FOR APPROVAL	
TOTAL WEIGHT		NO	DATE	DESCRIPTION	NO
DIAG. REF #	E1004				
REVISIONS					
GEIGER & PETERS INC.					PROD. CODE 70
INDIANAPOLIS, INDIANA					
DRAFTER	PPP	CUSTOMER	UNIVERSITY OF LOUISVILLE		CONTRACT NO
DATE	10-MAY-2012				12-012
CHECKED	SAD	STRUCTURE	STUDENT RECREATION CENTER		DWG NO
DATE	12-MAY-2012				2109B

WORK THIS SHEET WITH SHEET 2109, A & C



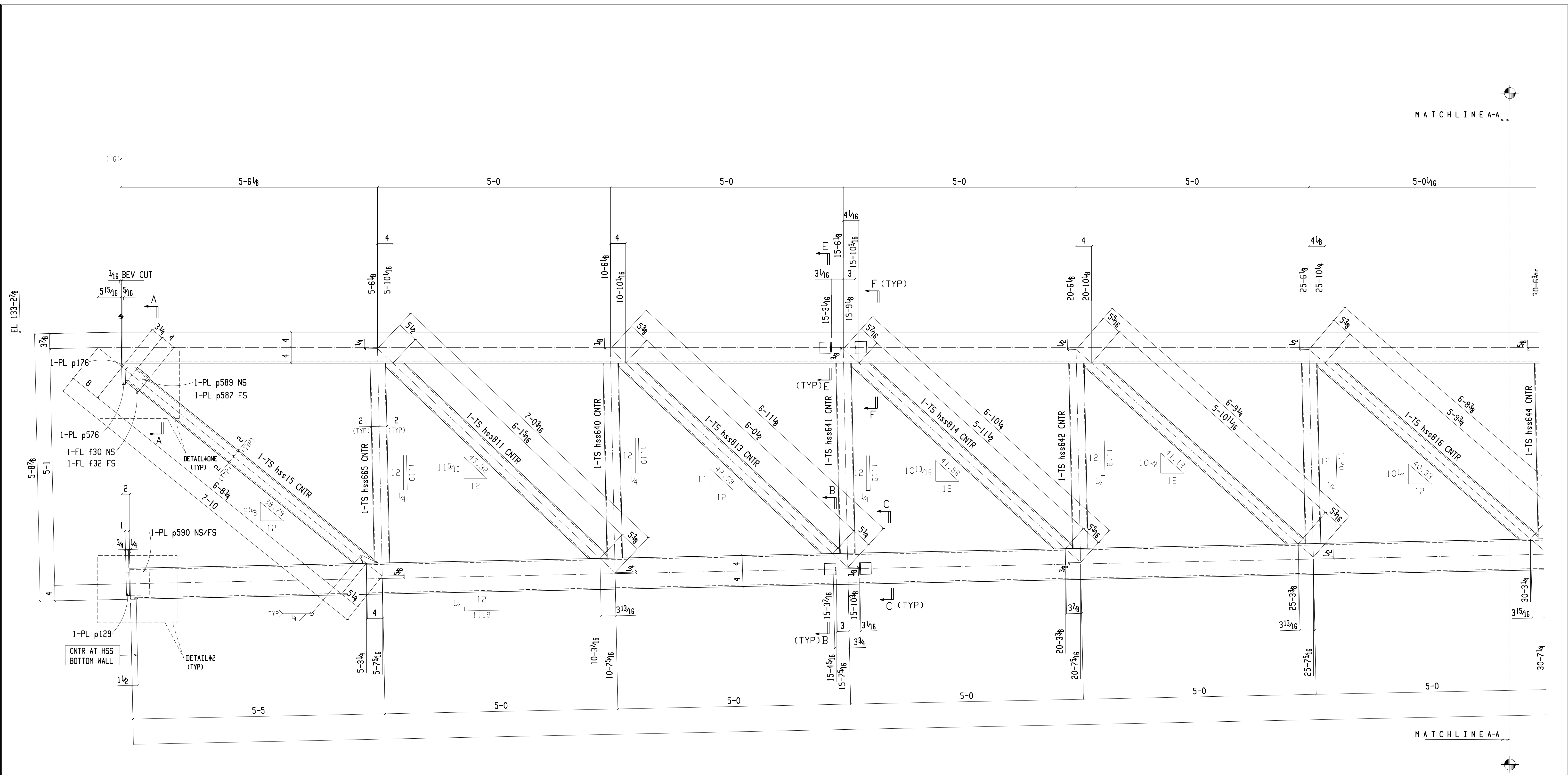
BILL OF MATERIAL

SEQ#	QTY	TOTAL	SECTION	WEIGHT /FT	LENGTH FT/IN	ASSEM MARK	SHIPPING MARK	STEEL GRADE	FINISH	REMARKS	PAGE /LINE	WEIGHT TOTAL
15	1	2	TRUSS	7957			2111TR1				11-49	15913
16	1	2	HSS8x8x1/2	3470	71 03/8	2111TR1		A500B		C=1 BZE	11-49	6940
		2	HSS8x8x3/8	2670	70 10	hss535		A500B				5339
		2	HSS4x4x3/8	98	6 7	hss15		A500B				195
		2	HSS4x4x3/8	94	6 4	hss811		A500B				188
		2	HSS4x4x3/8	93	6 33/8	hss813		A500B				186
		2	HSS4x4x3/8	92	6 23/8	hss814		A500B				184
		2	HSS4x4x3/8	91	6 13/8	hss815		A500B				182
		2	HSS4x4x3/8	90	6 011/8	hss816		A500B				180
		2	HSS4x4x3/8	89	5 113/8	hss817		A500B				178
		2	HSS4x4x3/8	87	5 103/8	hss818		A500B				174
		2	HSS4x4x3/8	86	5 911/8	hss819		A500B				172
		2	HSS4x4x3/8	85	5 813/8	hss820		A500B				170
		2	HSS4x4x3/8	84	5 83/8	hss821		A500B				169
		2	HSS4x4x3/8	83	5 71/8	hss822		A500B				167
		2	HSS4x4x3/8	83	5 613/8	hss823		A500B				165
		2	HSS4x4x3/8	82	5 611/8	hss824		A500B				165
		2	HSS4x4x3/8	40	4 33/8	hss825		A500B				81
		2	HSS4x4x3/8	39	4 23/8	hss840		A500B				79
		2	HSS4x4x3/8	39	4 13/8	hss841		A500B				77
		2	HSS4x4x3/8	38	3 113/8	hss842		A500B				75
		2	HSS4x4x3/8	37	3 103/8	hss843		A500B				73
		2	HSS4x4x3/8	36	3 93/8	hss844		A500B				71
		2	HSS4x4x3/8	35	3 81/8	hss845		A500B				69
		2	HSS4x4x3/8	34	3 613/8	hss846		A500B				67
		2	HSS4x4x3/8	33	3 53/8	hss847		A500B				65
		2	HSS4x4x3/8	32	3 43/8	hss848		A500B				63
		2	HSS4x4x3/8	31	3 31/8	hss849		A500B				61
		2	HSS4x4x3/8	30	3 113/8	hss850		A500B				59
		2	HSS4x4x3/8	29	3 03/8	hss851		A500B				57
		44	L3x3x1/4	1	0 3	a139		A36				44
		2	PL1x5	11	0 8	p176		A36				23
		2	PL1x3 1/2	5	0 53/8	p166		A36				11
		2	PL7/8x8	16	0 8	p591		A36				32
		2	PL3/8x4 1/2	6	0 53/8	p576		A36				12
		4	PL3/4x6	9	0 71/4	p129		A36				37
		8	PL3/4x5 1/4	7	0 6	p590		A36				54
		2	PL3/8x4 1/2	4	0 81/2	p592		A36				9
		2	PL3/8x4 1/2	4	0 81/2	p594		A36				9
		2	PL3/8x4 3/4	3	0 63/8	p587		A36				6
		2	PL3/8x4 1/2	3	0 63/8	p589		A36				6
		2	FL3/8x4	3	0 81/8	f39		A36				7
		2	FL3/8x4	2	0 413/8	f38		A36				4
		2	FL3/8x4	2	0 43/4	f30		A36				4
		2	FL3/8x4	2	0 43/8	f32		A36				4

FIELD BOLTS												
CLEANING	SP7											
PAINT	INTUMESCENT PAINT											
MATERIAL	A36 (U.N.D.)											
HOLES	13/16 HOLES (U.N.D.)											
ELECTRODES	E70XX LOW HYDROGEN					A	05-12-2012	ISSUED FOR APPROVAL				
TOTAL WEIGHT						NO	DATE	DESCRIPTION	NO	DATE	DESCRIPTION	
DIAG. REF #	E2000							REVISIONS				

GEIGER & PETERS INC.
INDIANAPOLIS, INDIANA
PROD. CODE 60

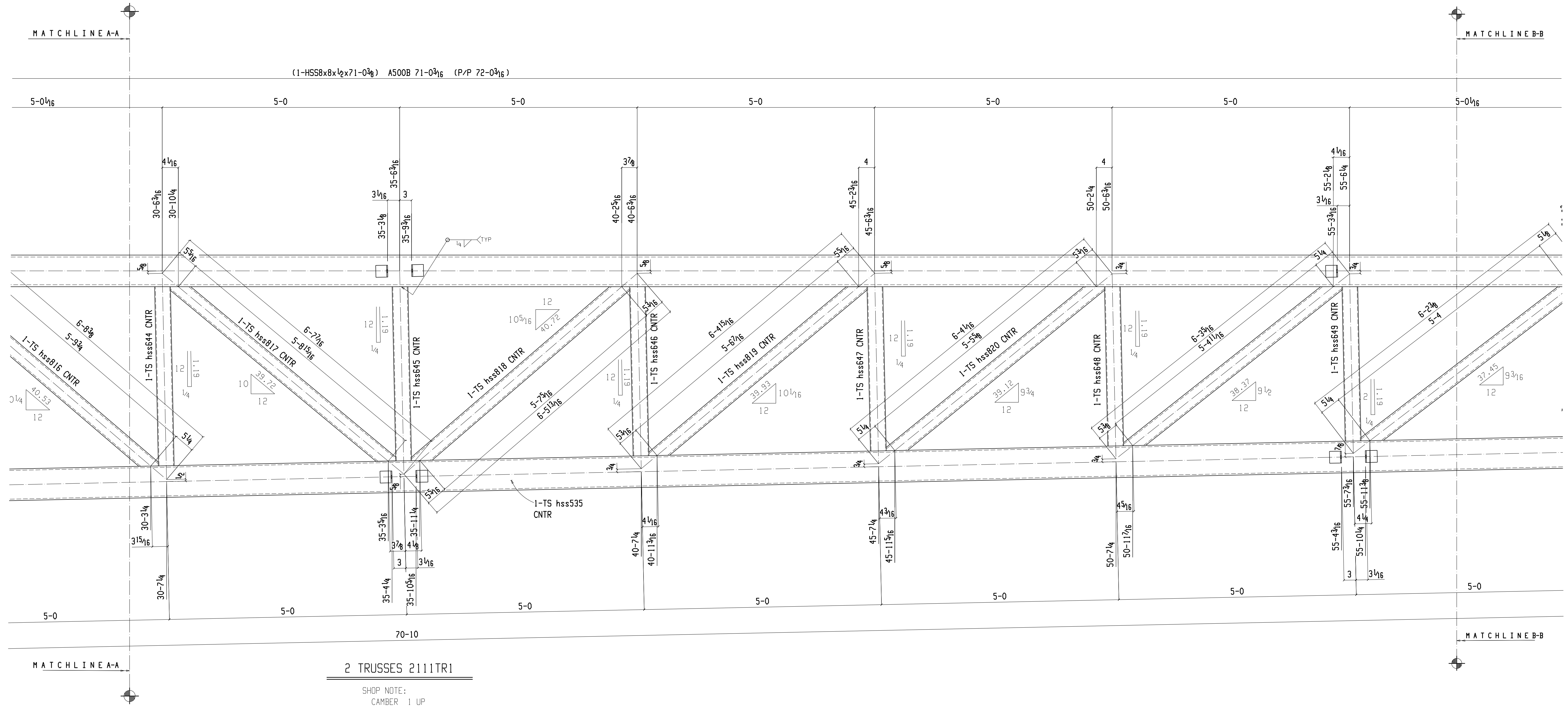
DRAFTER	PPP	CUSTOMER	UNIVERSITY OF LOUISVILLE	CONTRACT NO	12-012
DATE	10-MAY-2012	STRUCTURE	STUDENT RECREATION CENTER	DWG NO	2111
CHECKED	SAD				
DATE	12-MAY-2012				



FIELD BOLTS									
CLEANING	SP7								
PAINT	INTUMESCENT PAINT								
MATERIAL	A36 (U.N.D.)								
HOLES	1 3/16 HOLES (U.N.O.)								
ELECTRODES	E70XX LOW HYDROGEN	A	05-12-2012	ISSUED FOR APPROVAL					
TOTAL WEIGHT					NO	DATE	DESCRIPTION	NO	DATE
DIAG. REF #	E1004								
REVISIONS									

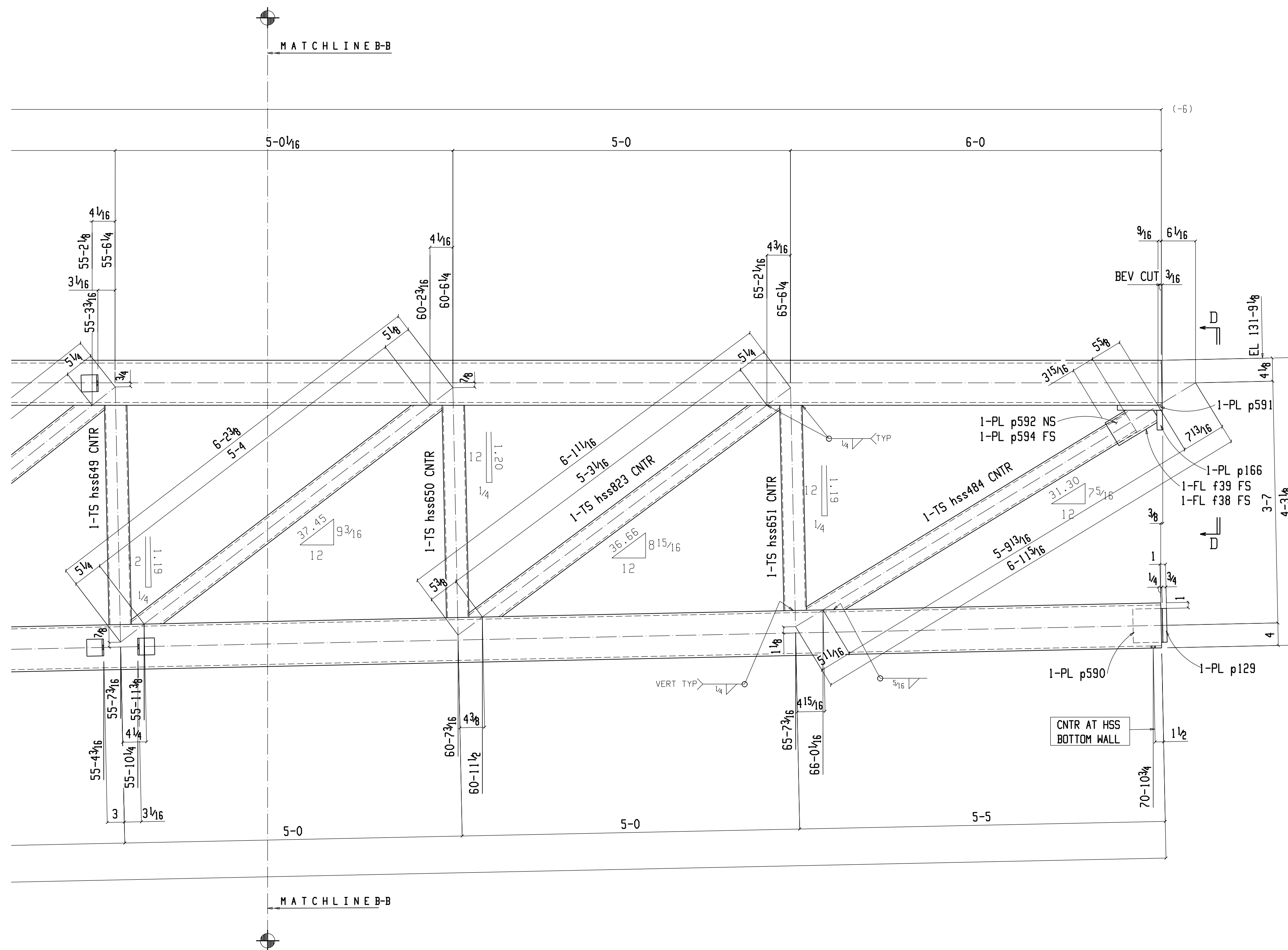
GEIGER & PETERS INC. INDIANAPOLIS, INDIANA								PROD. CODE 70
DRAFTER	PPP	CUSTOMER	UNIVERSITY OF LOUISVILLE					CONTRACT NO
DATE	10-MAY-2012						12-012	
CHECKED	SAD	STRUCTURE	STUDENT RECREATION CENTER					DWG NO
DATE	12-MAY-2012						2111A	

WORK THIS SHEET WITH SHEET 2111, B & C



FIELD BOLTS					
CLEANING	SP7				
PAINT	INTUMESCENT PAINT				
MATERIAL	A36 (U.N.D.)				
HOLES	1 ³ / ₁₆ HOLES (U.N.D.)				
ELECTRODES	E70XX LOW HYDROGEN	A	05-12-2012	ISSUED FOR APPROVAL	
TOTAL WEIGHT		NO	DATE	DESCRIPTION	NO
DIAG. REF #	E1004			REVISIONS	
GEIGER & PETERS INC. INDIANAPOLIS, INDIANA					PROD. CODE 70
DRAFTER	PPP	CUSTOMER	UNIVERSITY OF LOUISVILLE		CONTRACT NO
DATE	10-MAY-2012				12-012
CHECKED	SAD	STRUCTURE	STUDENT RECREATION CENTER		DWG NO
DATE	12-MAY-2012				2111B

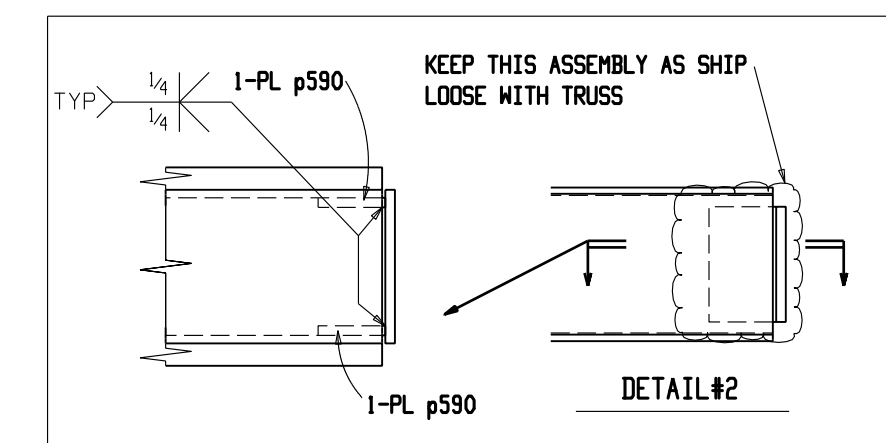
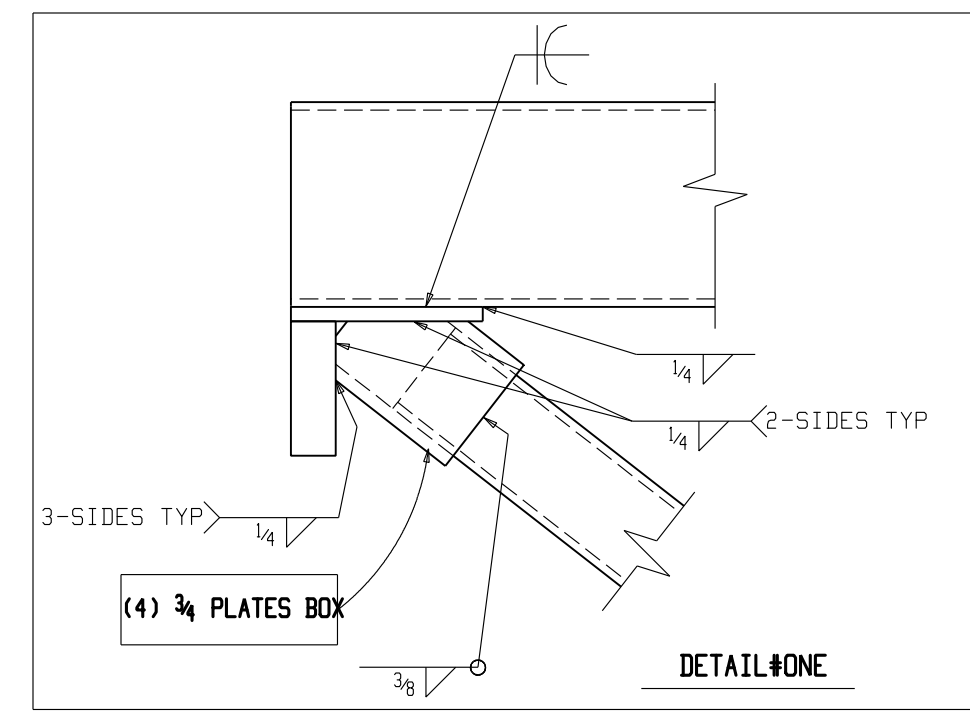
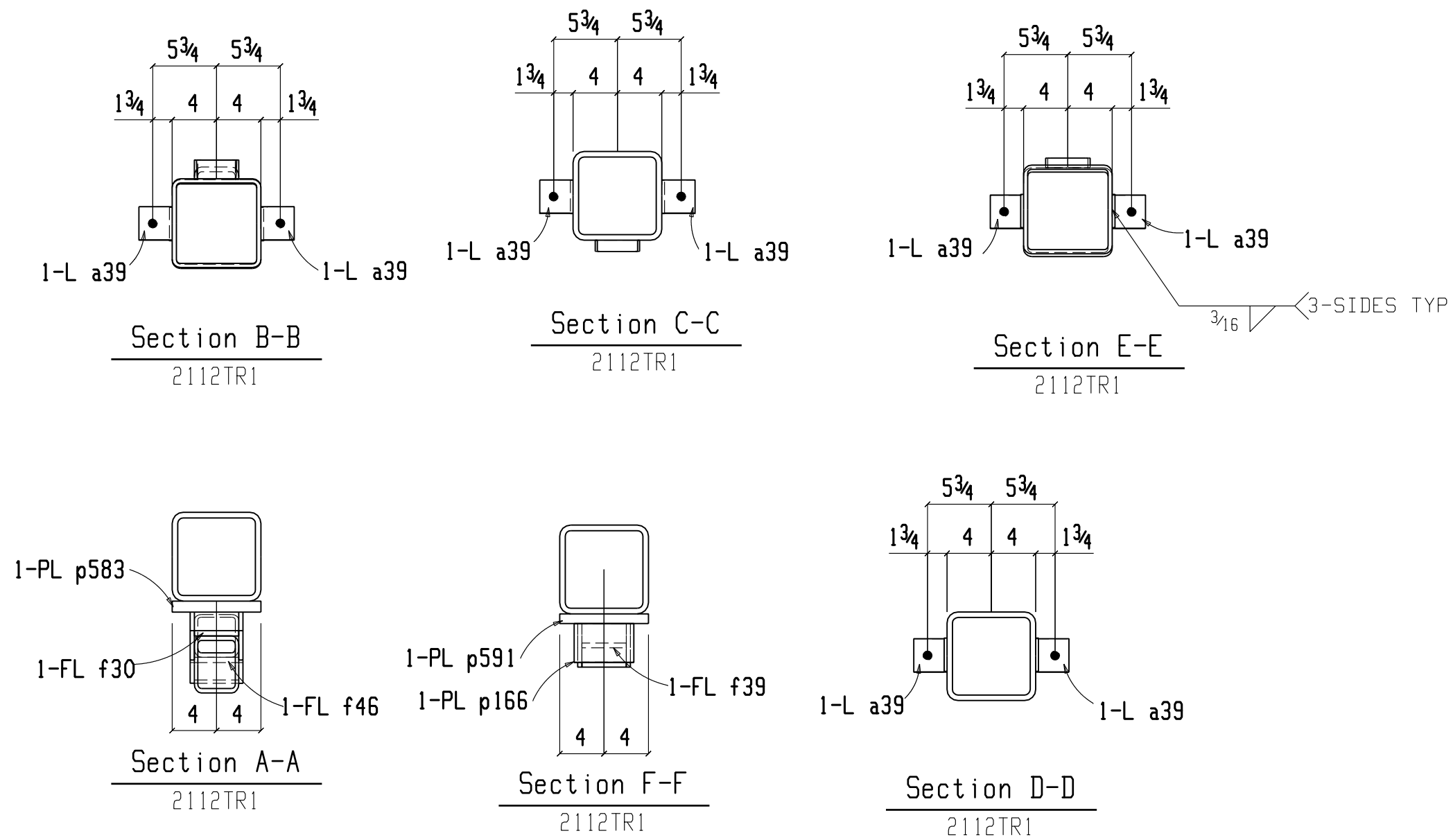
WORK THIS SHEET WITH SHEET 2111, A & C



FIELD BOLTS					
CLEANING	SP7				
PAINT	INTUMESCENT PAINT				
MATERIAL	A36 (U.N.D.)				
HOLES	13/16 HOLES (U.N.D.)				
ELECTRODES	E70XX LOW HYDROGEN	A	05-12-2012	ISSUED FOR APPROVAL	
TOTAL WEIGHT		NO	DATE	DESCRIPTION	NO DATE DESCRIPTION
DIAG. REF #	E1004	REVISIONS			

GEIGER & PETERS INC. INDIANAPOLIS, INDIANA				PROD. CODE 70
DRAFTER DATE	PPP 10-MAY-2012	CUSTOMER UNIVERSITY OF LOUISVILLE	CONTRACT NO 12-012	
CHECKED DATE	SAD 12-MAY-2012	STRUCTURE STUDENT RECREATION CENTER	DWG NO 2111C	

WORK THIS SHEET WITH SHEET 2111, A & B



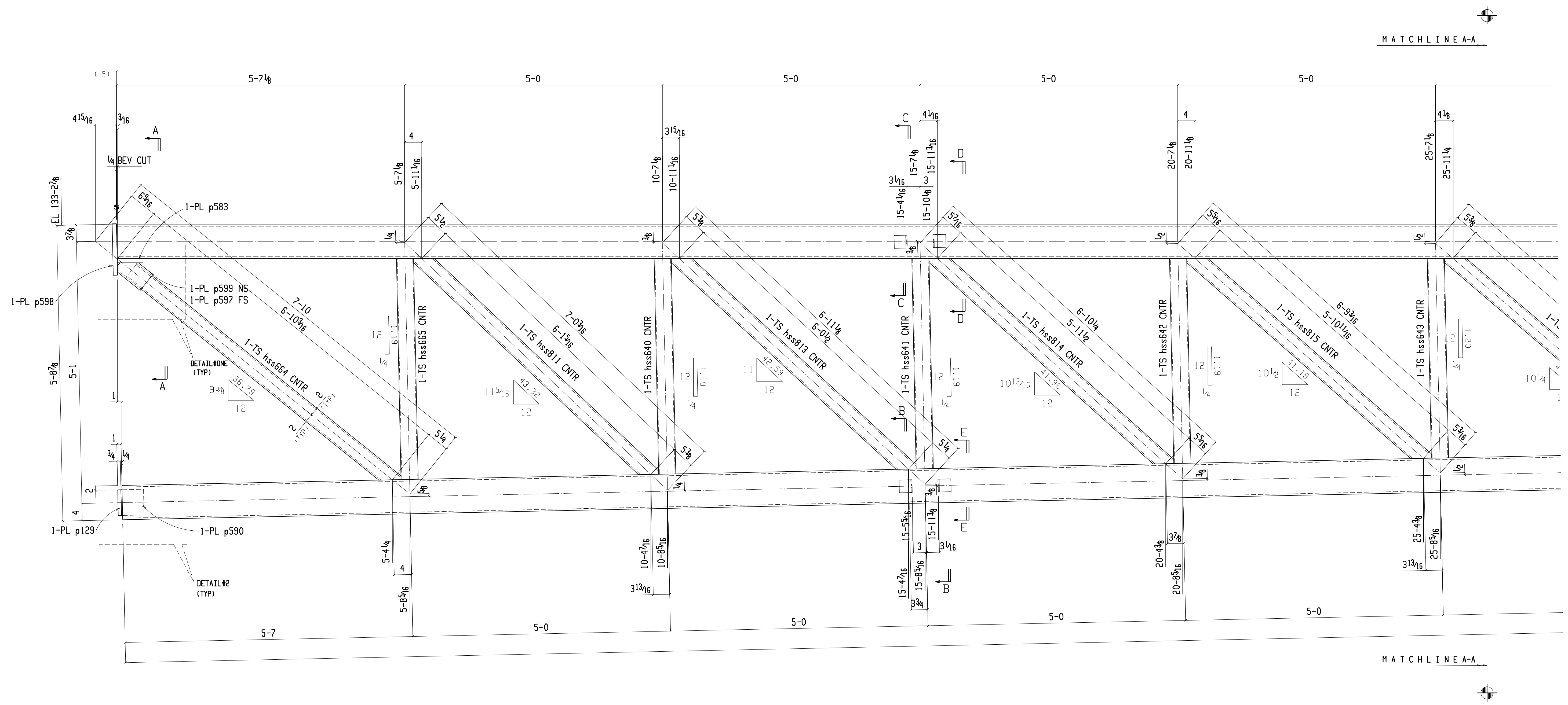
BILL OF MATERIAL

SEQ#	QTY	ONE	SECTION	WEIGHT /FT	LENGTH FT/IN	ASSEM MARK	SHIPPING MARK	STEEL GRADE	FINISH	REMARKS	PAGE /LINE	WEIGHT TOTAL
16	1	ONE	TRUSS	8003			2112TR1		PNT		11-48	8003
			1 HSS8x8x1/2	3474	71 13/8	2112TR1		A500B		C=1 B2E		3474
			1 HSS8x8x3/8	2676	71 0	hss499		A500B				2676
			1 HSS4x4x3/8	98	6 7/16	hss664		A500B				98
			1 HSS4x4x3/8	94	6 4	hss811		A500B				94
			1 HSS4x4x3/8	93	6 39/16	hss813		A500B				93
			1 HSS4x4x3/8	92	6 29/16	hss814		A500B				92
			1 HSS4x4x3/8	91	6 19/16	hss815		A500B				91
			1 HSS4x4x3/8	90	6 011/16	hss816		A500B				90
			1 HSS4x4x3/8	89	5 111/16	hss817		A500B				89
			1 HSS4x4x3/8	87	5 107/16	hss818		A500B				87
			1 HSS4x4x3/8	86	5 911/16	hss819		A500B				86
			1 HSS4x4x3/8	85	5 813/16	hss820		A500B				85
			1 HSS4x4x3/8	84	5 83/16	hss821		A500B				84
			1 HSS4x4x3/8	83	5 71/2	hss822		A500B				83
			1 HSS4x4x3/8	83	5 613/16	hss823		A500B				83
			1 HSS4x4x3/8	82	5 611/16	hss867		A500B				82
			1 HSS4x4x3/8	40	4 39/16	hss865		A500B				40
			1 HSS4x4x3/8	39	4 29/16	hss640		A500B				39
			1 HSS4x4x3/8	39	4 19/16	hss641		A500B				39
			1 HSS4x4x3/8	38	3 1113/16	hss642		A500B				38
			1 HSS4x4x3/8	37	3 109/16	hss643		A500B				37
			1 HSS4x4x3/8	36	3 99/16	hss644		A500B				36
			1 HSS4x4x3/8	35	3 89/16	hss645		A500B				35
			1 HSS4x4x3/8	34	3 613/16	hss646		A500B				34
			1 HSS4x4x3/8	33	3 59/16	hss647		A500B				33
			1 HSS4x4x3/8	32	3 49/16	hss648		A500B				32
			1 HSS4x4x3/8	31	3 39/16	hss649		A500B				31
			1 HSS4x4x3/8	30	3 113/16	hss650		A500B				30
			1 HSS4x4x3/8	29	3 09/16	hss651		A500B				29
			24 L3x3x1/4	1	0 3	a139		A36				29
			1 PL1x8	27	1 0	p598		A36				27
			1 PL1x6	14	0 8	p583		A36				14
			1 PL1x31/2	5	0 53/8	p166		A36				5
			1 PL7/8x8	16	0 8	p591		A36				16
			2 PL3/4x6	9	0 71/4	p129		A36				19
			4 PL3/4x51/4	7	0 6	p590		A36				27
			1 PL3/8x43/4	4	0 81/2	p592		A36				4
			1 PL3/8x43/4	4	0 81/2	p594		A36				4
			1 PL3/8x43/4	4	0 711/16	p597		A36				4
			1 PL3/8x43/4	4	0 711/16	p599		A36				4
			1 FL3/8x4	3	0 81/8	f39		A36				3
			1 FL3/8x4	3	0 71/16	f46		A36				3
			1 FL3/8x4	2	0 415/16	f38		A36				2
			1 FL3/8x4	2	0 43/4	f30		A36				2

FIELD BOLTS												
CLEANING	SP7											
PAINT	INTUMESCENT PAINT											
MATERIAL	A36 (U.N.D.)											
HOLES	13/16 HOLES (U.N.D.)											
ELECTRODES	E70XX LOW HYDROGEN	A	05-12-2012	ISSUED FOR APPROVAL								
TOTAL WEIGHT		NO	DATE	DESCRIPTION	NO	DATE	DESCRIPTION					
DIAG. REF #	E2000			REVISIONS								

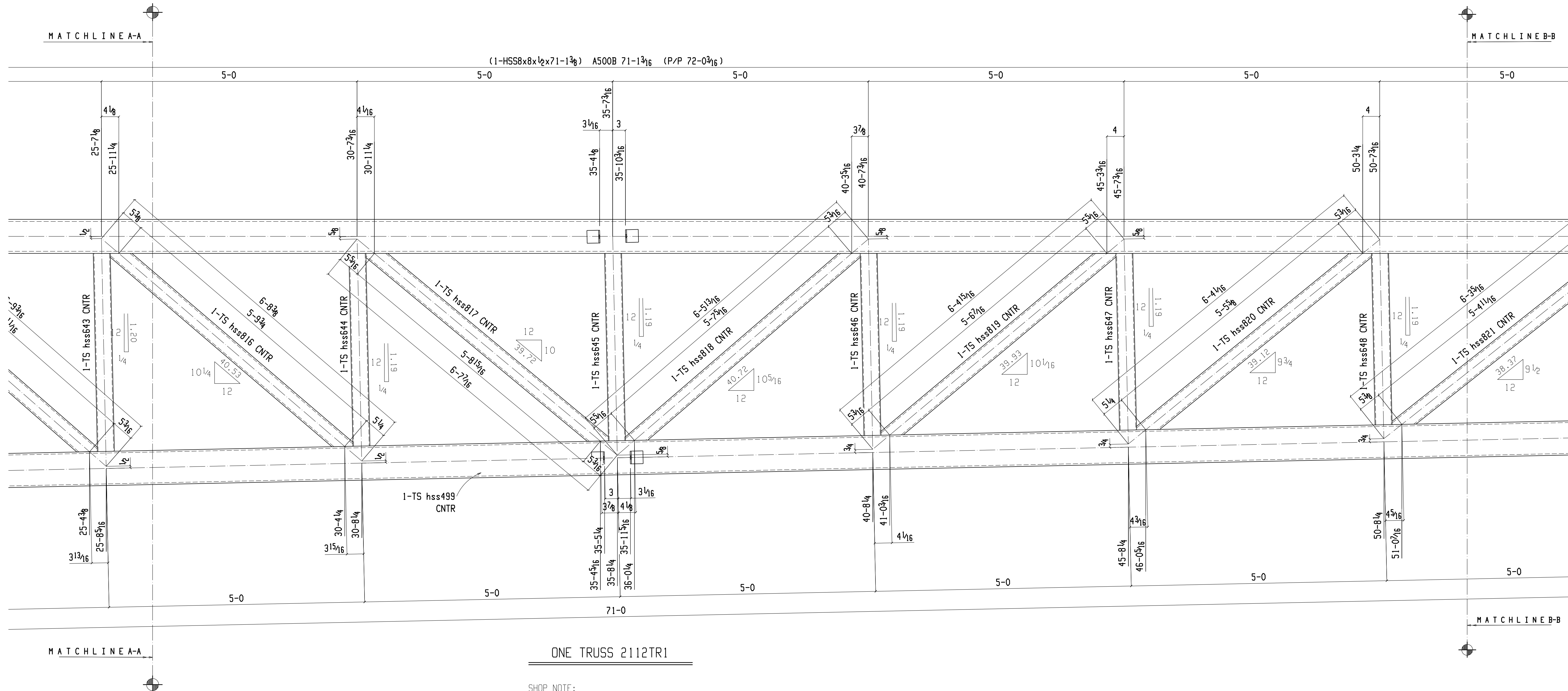
GEIGER & PETERS INC.
INDIANAPOLIS, INDIANA
PROD. CODE 60

DRAFTER	PPP	CUSTOMER	UNIVERSITY OF LOUISVILLE	CONTRACT NO	12-012
DATE	10-MAY-2012	STRUCTURE	STUDENT RECREATION CENTER	DWG NO	2112
CHECKED	SAD				
DATE	12-MAY-2012				



FIELD BOLTS									
CLEANING	SP7								
PAINT	INTUMESCENT PAINT								
MATERIAL	A36 (U.N.D.)								
HOLES	13/16 HOLES (U.N.D.)								
ELECTRODES	E70XX LOW HYDROGEN	A	05-12-2012	ISSUED FOR APPROVAL					
TOTAL WEIGHT		NO	DATE	DESCRIPTION	NO	DATE	DESCRIPTION		
DIAG. REF #	E1004	REVISIONS							
GEIGER & PETERS INC. INDIANAPOLIS, INDIANA								PROD. CODE 70	
DRAFTER	PPP	CUSTOMER	UNIVERSITY OF LOUISVILLE					CONTRACT NO	12-012
DATE	10-MAY-2012	STRUCTURE	STUDENT RECREATION CENTER					DWG NO	2112A
CHECKED	SAD								
DATE	12-MAY-2012								

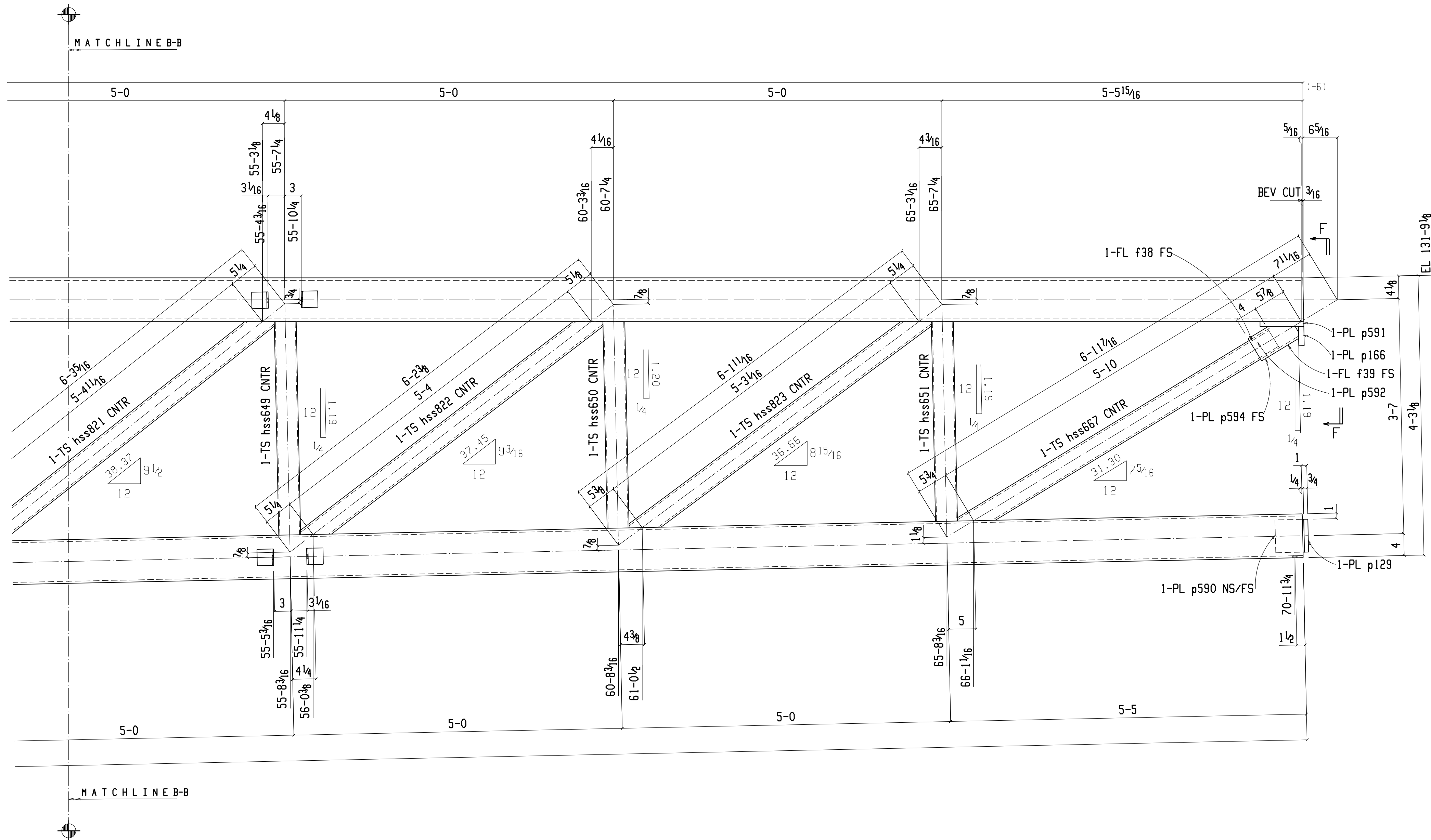
WORK THIS SHEET WITH SHEET 2112, B & C



SHOP NOTE:
CAMBER 1 UP

WORK THIS SHEET WITH SHEET 2112, A & C

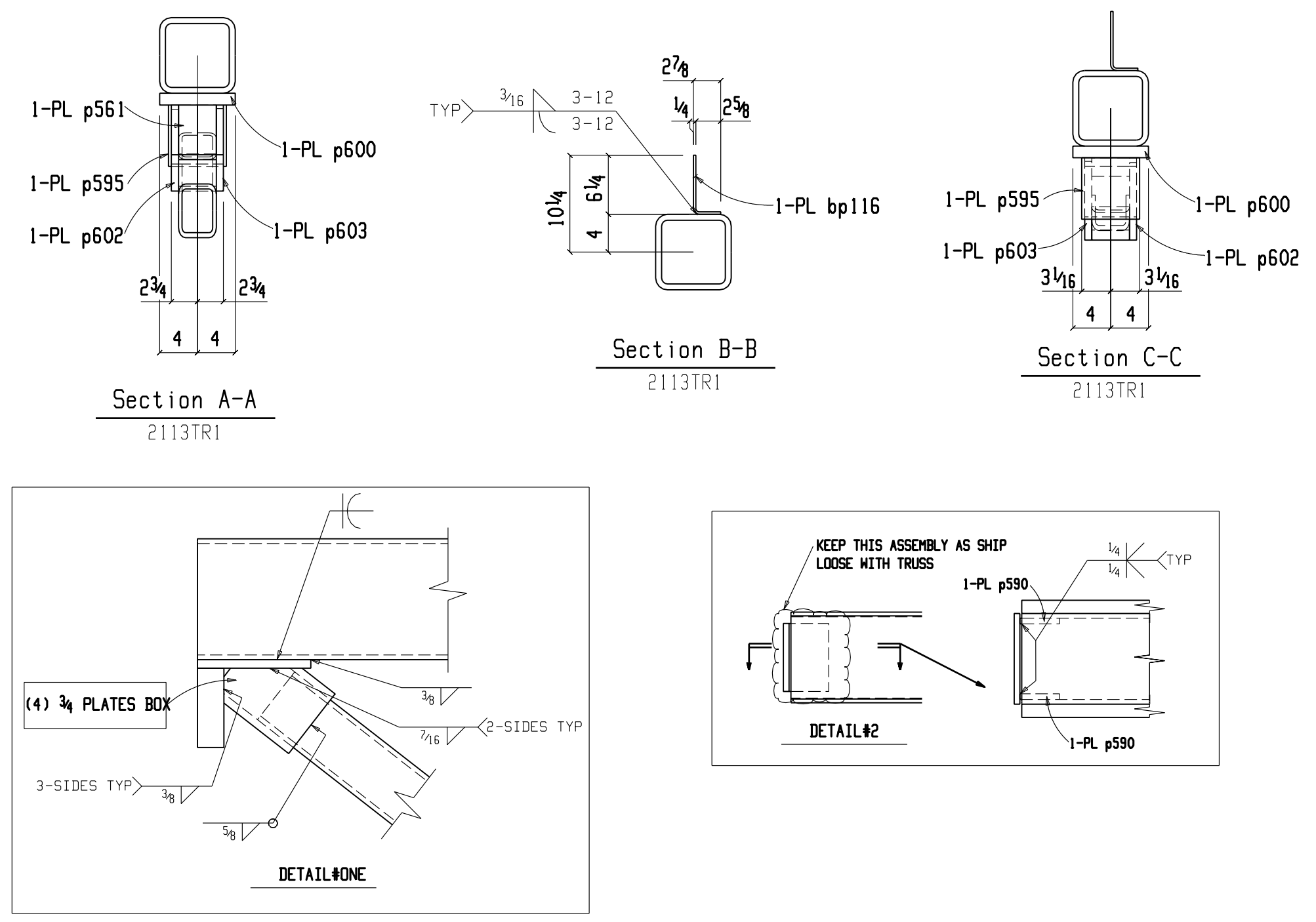
FIELD BOLTS					
CLEANING	SP7				
PAINT	INTUMESCENT PAINT				
MATERIAL	A36 (U.N.D.)				
HOLES	1 3/16 HOLES (U.N.O.)				
ELECTRODES	E70XX LOW HYDROGEN	A	05-12-2012	ISSUED FOR APPROVAL	
TOTAL WEIGHT		NO	DATE	DESCRIPTION	NO
DIAG. REF #	E1004	REVISIONS			
GEIGER & PETERS INC. INDIANAPOLIS, INDIANA					PROD. CODE 70
DRAFTER	PPP	CUSTOMER	UNIVERSITY OF LOUISVILLE		CONTRACT NO
DATE	10-MAY-2012				12-012
CHECKED	SAD	STRUCTURE	STUDENT RECREATION CENTER		DWG NO
DATE	12-MAY-2012				2112B



FIELD BOLTS					
CLEANING	SP7				
PAINT	INTUMESCENT PAINT				
MATERIAL	A36 (U.N.D.)				
HOLES	1 3/16 HOLES (U.N.D.)				
ELECTRODES	E70XX LOW HYDROGEN	A	05-12-2012	ISSUED FOR APPROVAL	
TOTAL WEIGHT		NO	DATE	DESCRIPTION	NO
DIAG. REF #	E1004	REVISIONS			

GEIGER & PETERS INC. INDIANAPOLIS, INDIANA				PROD. CODE 70
DRAFTER DATE	PPP 10-MAY-2012	CUSTOMER UNIVERSITY OF LOUISVILLE	CONTRACT NO 12-012	
CHECKED DATE	SAD 12-MAY-2012	STRUCTURE STUDENT RECREATION CENTER	DWG NO 2112C	

WORK THIS SHEET WITH SHEET 2112, A & B

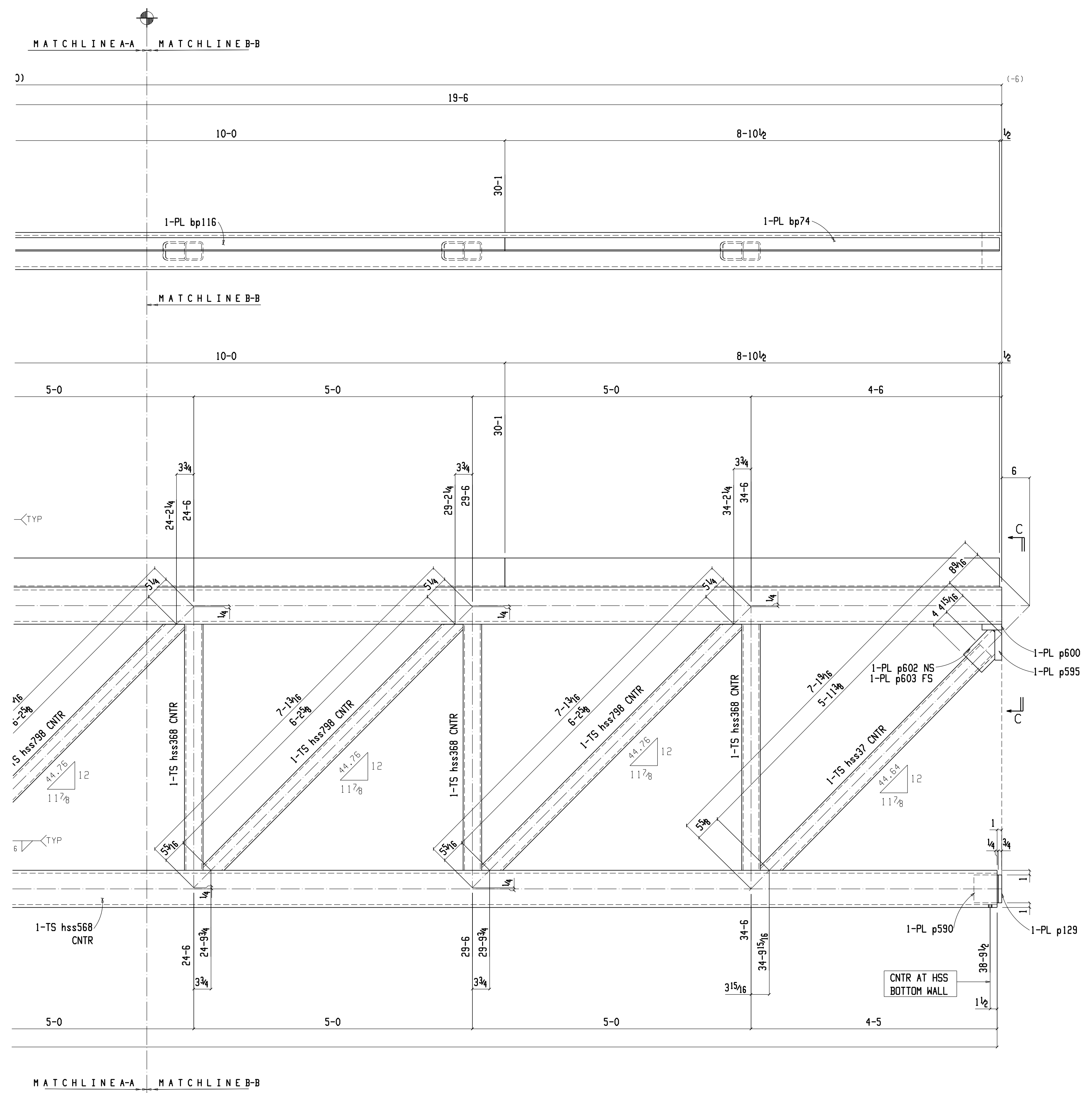


BILL OF MATERIAL

SEQ#	QTY	TOTAL	SECTION	WEIGHT /FT	LENGTH FT/IN	ASSEM MARK	SHIPPING MARK	STEEL GRADE	FINISH	REMARKS	PAGE /LINE	WEIGHT TOTAL
16	1	ONE	TRUSS	6387			2113TR1		PNT		11-39	6387
			1 HSS8x8x3/8	2313	39 0	2113TR1		A500B		C=1 BZE		2313
			1 HSS8x8x3/8	2304	38 10	hss568		A500B				2304
			3 HSS4x4x3/8	111	6 5 1/16	hss638		A500B		MIE		333
			3 HSS4x4x3/8	111	6 5 1/16	hss798		A500B		MIE		333
			1 HSS4x4x3/8	98	5 7 13/16	hss582		A500B		MIE		98
			1 HSS4x4x3/8	98	5 7 13/16	hss37		A500B		MIE		98
			7 HSS4x4x5/16	65	4 5	hss368		A500B		MIE		458
			2 PL 1 1/2 x 6 1/2	17	0 6 1/2	p595		A36				34
			2 PL 1 1/4 x 4 1/4	12	0 8	p600		A36				24
			2 PL 3/4 x 6	9	0 7 1/4	p129		A36				19
			2 PL 3/4 x 5 1/2	10	0 8 3/16	p603		A36				19
			2 PL 3/4 x 5 1/2	10	0 8 1/8	p602		A36				19
			4 PL 3/4 x 3 1/4	7	0 6	p590		A36				27
			2 PL 3/4 x 4	7	0 8 1/8	p561		A36				14
			2 PL 3/4 x 4	4	0 4 13/16	p601		A36				8
			3 BPL 1/4 x 8 1 1/16	74	10 0	bp116		A36		BENT		221
			1 BPL 1/4 x 8 1 1/16	65	8 10 1/2	bp74		A36		BENT		65

FIELD BOLTS												
CLEANING	SP7											
PAINT	INTUMESCENT PAINT											
MATERIAL	A36 (U.N.D.)											
HOLES	13/16 HOLES (U.N.D.)											
ELECTRODES	E70XX LOW HYDROGEN	A	05-12-2012	ISSUED FOR APPROVAL								
TOTAL WEIGHT												
DIAG. REF #	E2000											
GEIGER & PETERS INC. INDIANAPOLIS, INDIANA											PROD. CODE 60	
DRAFTER	PPP	CUSTOMER	UNIVERSITY OF LOUISVILLE									CONTRACT NO
DATE	10-MAY-2012											12-012
CHECKED	SAD	STRUCTURE	STUDENT RECREATION CENTER									DWG NO
DATE	12-MAY-2012											2113

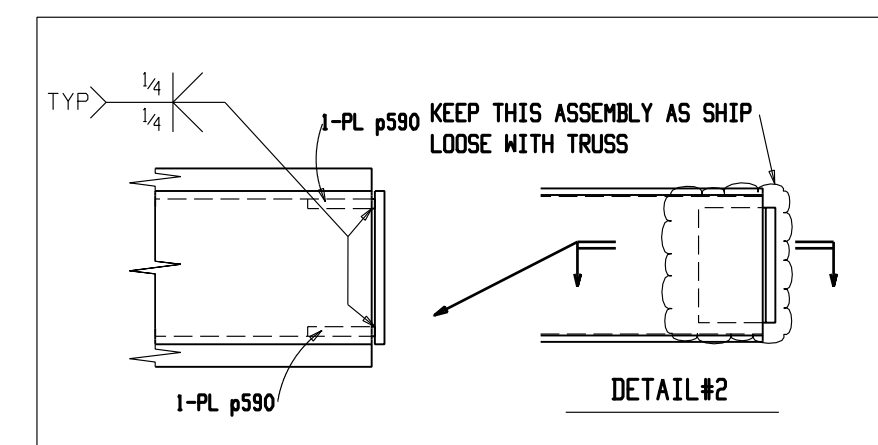
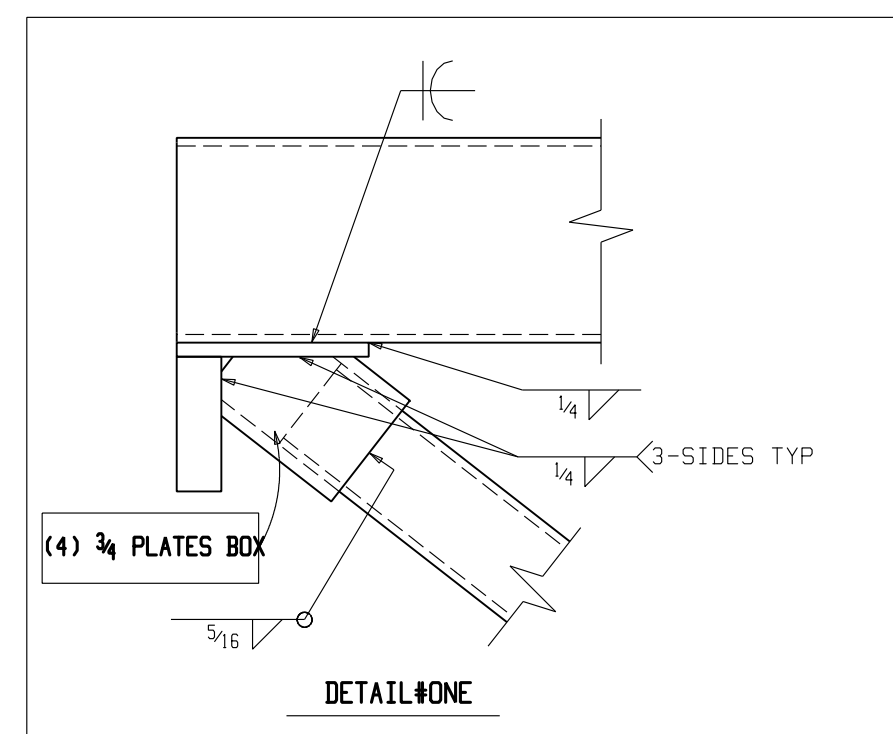
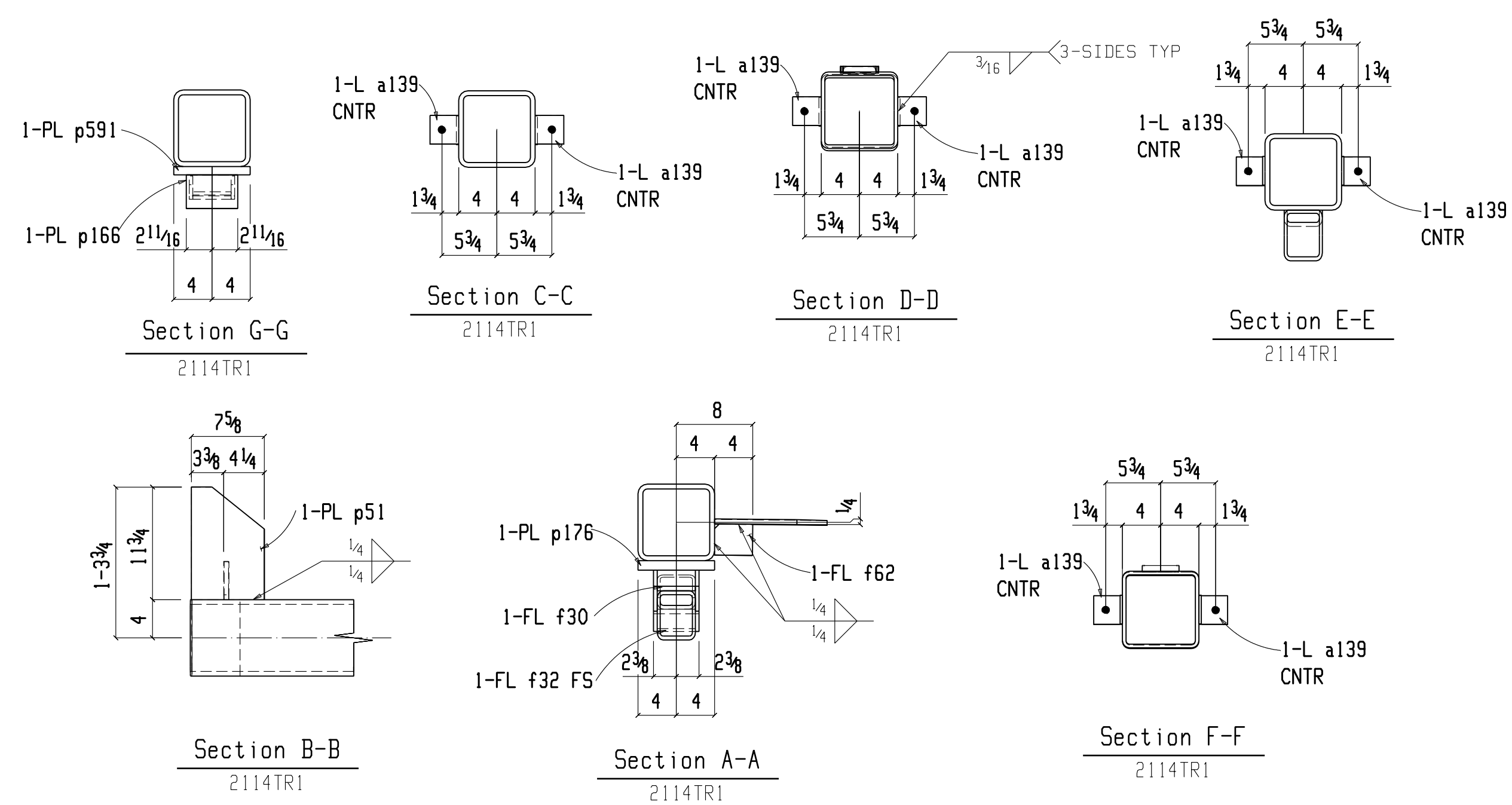
WORK THIS SHEET WITH SHEET 2113A



FIELD BOLTS					
CLEANING	SP7				
PAINT	INTUMESCENT PAINT				
MATERIAL	A36 (U.N.D.)				
HOLES	13/16 HOLES (U.N.O.)				
ELECTRODES	E70XX LOW HYDROGEN	A	05-12-2012	ISSUED FOR APPROVAL	
TOTAL WEIGHT		NO	DATE	DESCRIPTION	NO
DIAG. REF #	E1004	REVISIONS			

GEIGER & PETERS INC. INDIANAPOLIS, INDIANA				PROD. CODE 70
DRAFTER	PPP	CUSTOMER	UNIVERSITY OF LOUISVILLE	CONTRACT NO
DATE	10-MAY-2012			12-012
CHECKED	SAD	STRUCTURE	STUDENT RECREATION CENTER	DWG NO
DATE	12-MAY-2012			2113B

WORK THIS SHEET WITH SHEET 2113,A



BILL OF MATERIAL

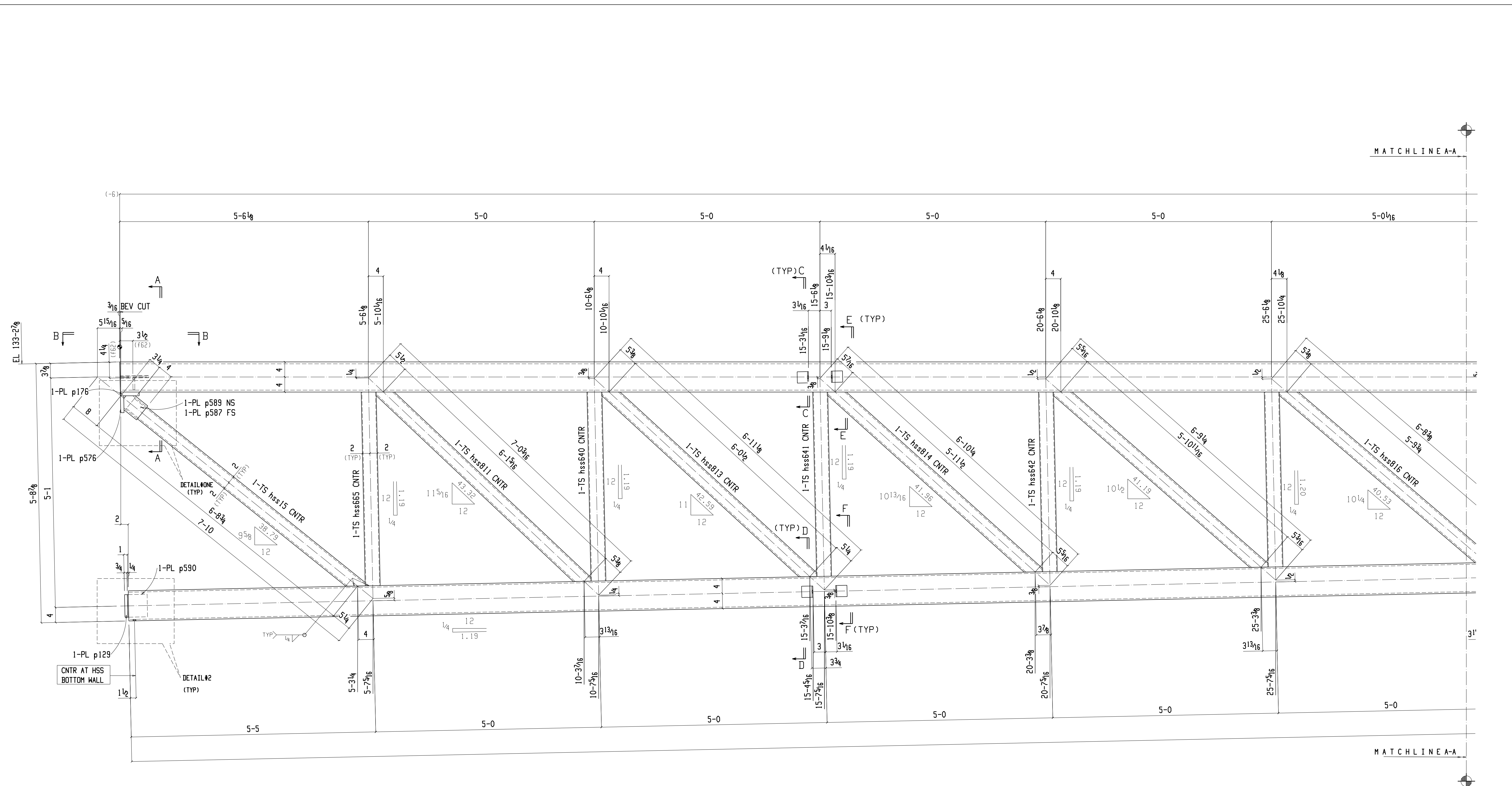
SEQ#	QTY	TOTAL	SECTION	WEIGHT /FT	LENGTH FT/IN	ASSEM MARK	SHIPPING MARK	STEEL GRADE	FINISH	REMARKS	PAGE /LINE	WEIGHT TOTAL
17	1	ONE	TRUSS	7977			2114TR1		PNT		11-49	7977
			1 HSSBx8x1/2	3470	71 03/8	2114TR1		A500B		C=1 BZE		3470
			1 HSSBx8x3/8	2670	70 10	hss535		A500B				2670
			1 HSS4x4x3/8	98	6 7	hss15		A500B				98
			1 HSS4x4x3/8	94	6 4	hss811		A500B				94
			1 HSS4x4x3/8	93	6 33/16	hss813		A500B				93
			1 HSS4x4x3/8	92	6 23/16	hss814		A500B				92
			1 HSS4x4x3/8	91	6 11/2	hss815		A500B				91
			1 HSS4x4x3/8	90	6 011/16	hss816		A500B				90
			1 HSS4x4x3/8	89	5 111/16	hss817		A500B				89
			1 HSS4x4x3/8	87	5 102/16	hss818		A500B				87
			1 HSS4x4x3/8	86	5 911/16	hss819		A500B				86
			1 HSS4x4x3/8	85	5 81/16	hss820		A500B				85
			1 HSS4x4x3/8	84	5 83/16	hss821		A500B				84
			1 HSS4x4x3/8	83	5 71/2	hss822		A500B				83
			1 HSS4x4x3/8	83	5 613/16	hss823		A500B				83
			1 HSS4x4x3/8	82	5 611/16	hss824		A500B				82
			1 HSS4x4x3/8	40	4 33/16	hss865		A500B				40
			1 HSS4x4x3/8	39	4 23/16	hss840		A500B				39
			1 HSS4x4x3/8	39	4 11/16	hss841		A500B				39
			1 HSS4x4x3/8	38	3 1113/16	hss842		A500B				38
			1 HSS4x4x3/8	37	3 103/16	hss843		A500B				37
			1 HSS4x4x3/8	36	3 93/16	hss844		A500B				36
			1 HSS4x4x3/8	35	3 81/16	hss845		A500B				35
			1 HSS4x4x3/8	34	3 613/16	hss846		A500B				34
			1 HSS4x4x3/8	33	3 53/16	hss847		A500B				33
			1 HSS4x4x3/8	32	3 43/16	hss848		A500B				32
			1 HSS4x4x3/8	31	3 31/16	hss849		A500B				31
			1 HSS4x4x3/8	30	3 113/16	hss850		A500B				30
			1 HSS4x4x3/8	29	3 03/16	hss851		A500B				29
			20 L3x3x1/4	1	0 3	a139		A36				25
			1 PL1x5	11	0 8	p176		A36				11
			1 PL1x3 1/2	5	0 53/8	p166		A36				5
			1 PL7/8x8	16	0 8	p591		A36				16
			1 PL7/8x4 1/2	6	0 53/8	p576		A36				6
			2 PL3/4x6	9	0 71/4	p129		A36				19
			4 PL3/4x5 1/4	7	0 6	p590		A36				27
			1 PL1/2x7 5/8	13	0 113/4	p51		A36				13
			1 FL1/2x4	2	0 31/4	f62		A36				2
			1 PL3/8x4 3/4	4	0 81/2	p594		A36				4
			1 PL3/8x4 3/4	4	0 81/2	p592		A36				4
			1 PL3/8x4 3/4	3	0 63/16	p589		A36				3
			1 PL3/8x4 3/4	3	0 63/16	p587		A36				3
			1 FL3/8x4	3	0 81/8	f39		A36				3
			1 FL3/8x4	2	0 413/16	f38		A36				2
			1 FL3/8x4	2	0 43/4	f30		A36				2
			1 FL3/8x4	2	0 43/8	f32		A36				2

FIELD BOLTS												
CLEANING	SP7											
PAINT	INTUMESCENT PAINT											
MATERIAL	A36 (U.N.D.)											
HOLES	13/16 HOLES (U.N.O.)											
ELECTRODES	E70XX LOW HYDROGEN					A	05-12-2012	ISSUED FOR APPROVAL				
TOTAL WEIGHT						NO	DATE	DESCRIPTION	NO	DATE	DESCRIPTION	
DIAG. REF #	E2000							REVISIONS				

GEIGER & PETERS INC.
INDIANAPOLIS, INDIANA
PROD. CODE 60

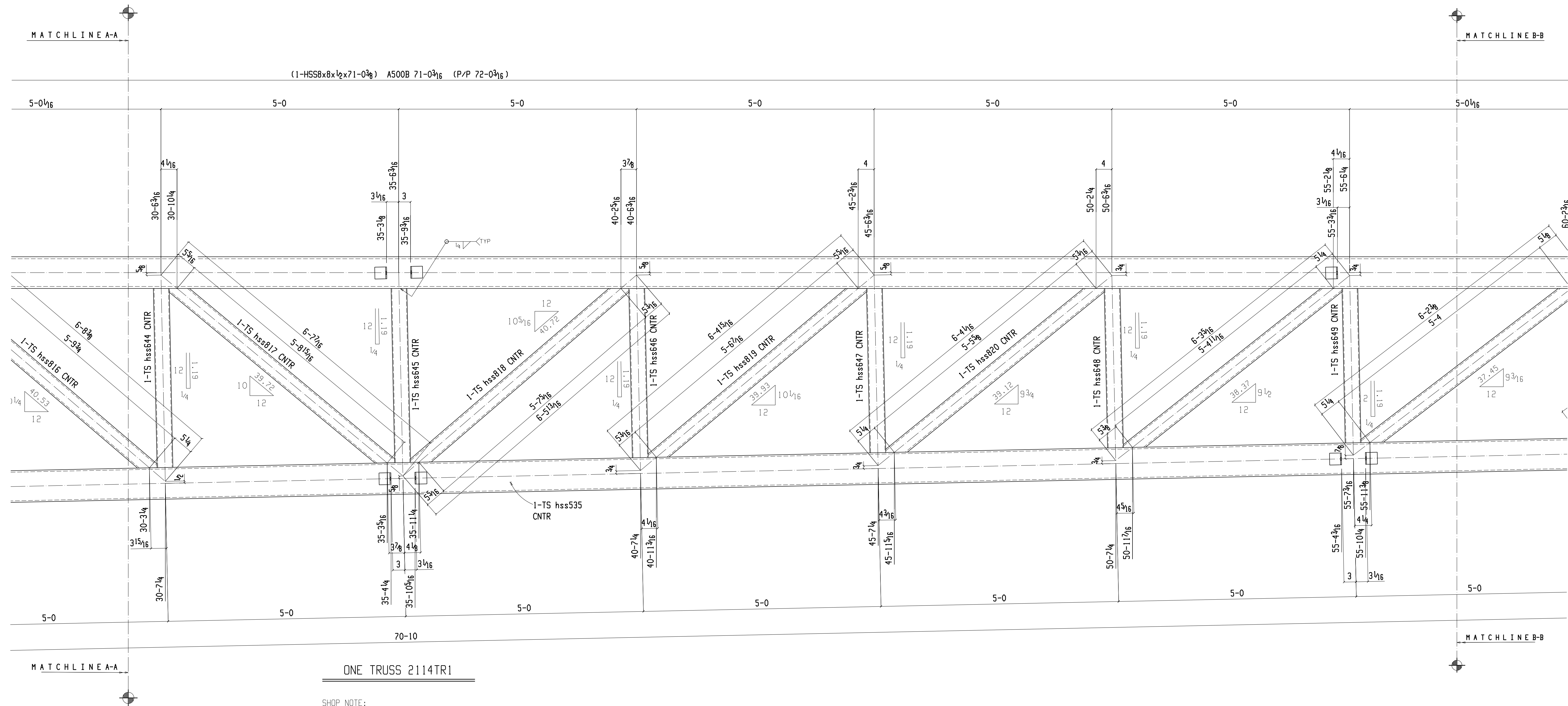
DRAFTER	PPP	CUSTOMER	UNIVERSITY OF LOUISVILLE	CONTRACT NO	12-012
DATE	10-MAY-2012	STRUCTURE	STUDENT RECREATION CENTER	DWG NO	2114
CHECKED	SAD				
DATE	12-MAY-2012				

WORK THIS SHEET WITH SHEET 2114A, B & C



FIELD BOLTS										
CLEANING	SP7									
PAINT	INTUMESCENT PAINT									
MATERIAL	A36 (U.N.D.)									
HOLES	13/16 HOLES (U.N.D.)									
ELECTRODES	E70XX LOW HYDROGEN	A	05-12-2012	ISSUED FOR APPROVAL						
TOTAL WEIGHT					NO	DATE	DESCRIPTION	NO	DATE	
DIAG. REF #	E1004				REVISIONS					
GEIGER & PETERS INC. INDIANAPOLIS, INDIANA									PROD. CODE 70	
DRAFTER	PPP	CUSTOMER	UNIVERSITY OF LOUISVILLE						CONTRACT NO	12-012
DATE	10-MAY-2012	STRUCTURE	STUDENT RECREATION CENTER						DWG NO	2114A
CHECKED	SAD									
DATE	12-MAY-2012									

WORK THIS SHEET WITH SHEET 2114, B & C



ONE TRUSS 2114TR1

SHOP NOTE:
CAMBER 1 UP

WORK THIS SHEET WITH SHEET 2114, A & C

FIELD BOLTS					
CLEANING	SP7				
PAINT	INTUMESCENT PAINT				
MATERIAL	A36 (U.N.D.)				
HOLES	1 3/16 HOLES (U.N.D.)				
ELECTRODES	E70XX LOW HYDROGEN	A	05-12-2012	ISSUED FOR APPROVAL	
TOTAL WEIGHT		NO	DATE	DESCRIPTION	NO
DIAG. REF #	E1004	REVISIONS			
<p>GEIGER & PETERS INC. INDIANAPOLIS, INDIANA</p>					<p>PROD. CODE 70</p>
DRAFTER	PPP	CUSTOMER	UNIVERSITY OF LOUISVILLE		CONTRACT NO
DATE	10-MAY-2012				12-012
CHECKED	SAD	STRUCTURE	STUDENT RECREATION CENTER		DWG NO
DATE	12-MAY-2012				2114B

