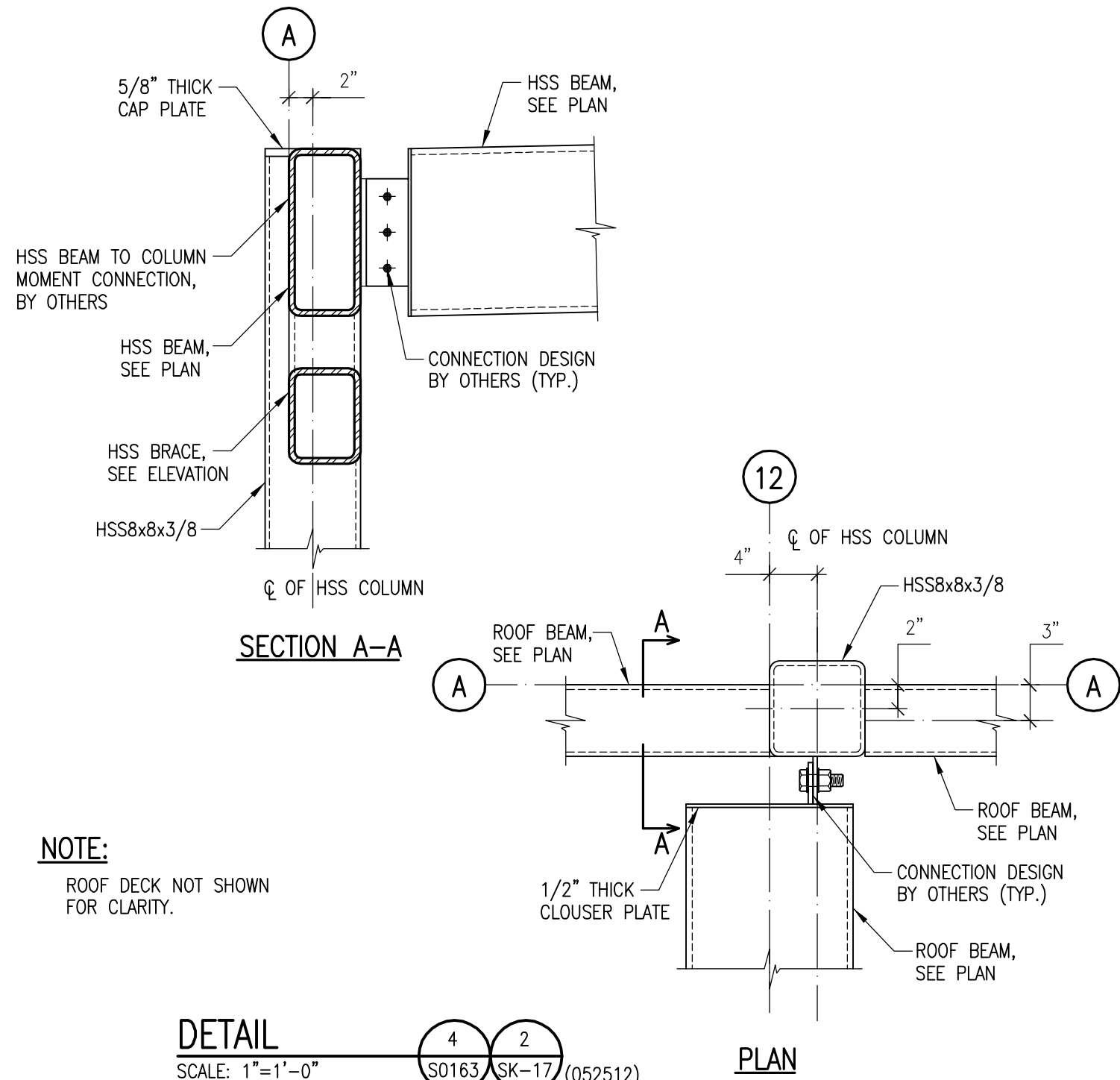


SECTION

SCALE: 1"=1'-0"

9 S0177 1 SK-17 (052512)



NOTE:

ROOF DECK NOT SHOWN FOR CLARITY.

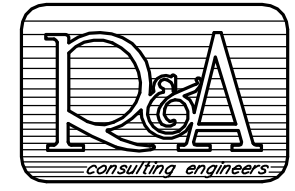
DETAIL

SCALE: 1"=1'-0"

4 S0163 2 SK-17 (052512)

Job Name: UNIVERSITY OF LOUISVILLE - STUDENT RECREATION CENTER (PHASE #3, CCD)
Client: OMNI ARCHITECTS
Date: MAY 2012
Sketch No: SK-17 (052512)

RANGASWAMY AND ASSOC., INC.
 Suite 420, The Landmark Building
 Louisville, Kentucky 40202.
 phone : (502)589-2212
 Fax : (502)589-2240 : www.rangaswamy.com



Remarks: IN SKETCH 1/SK-17 (052512) CLOUDED PORTION SHOWS MAJOR REVISIONS TO SECTION 9/S0177. REPLACE DETAIL 4/S0163 WITH 2/SK-17 (052512).