

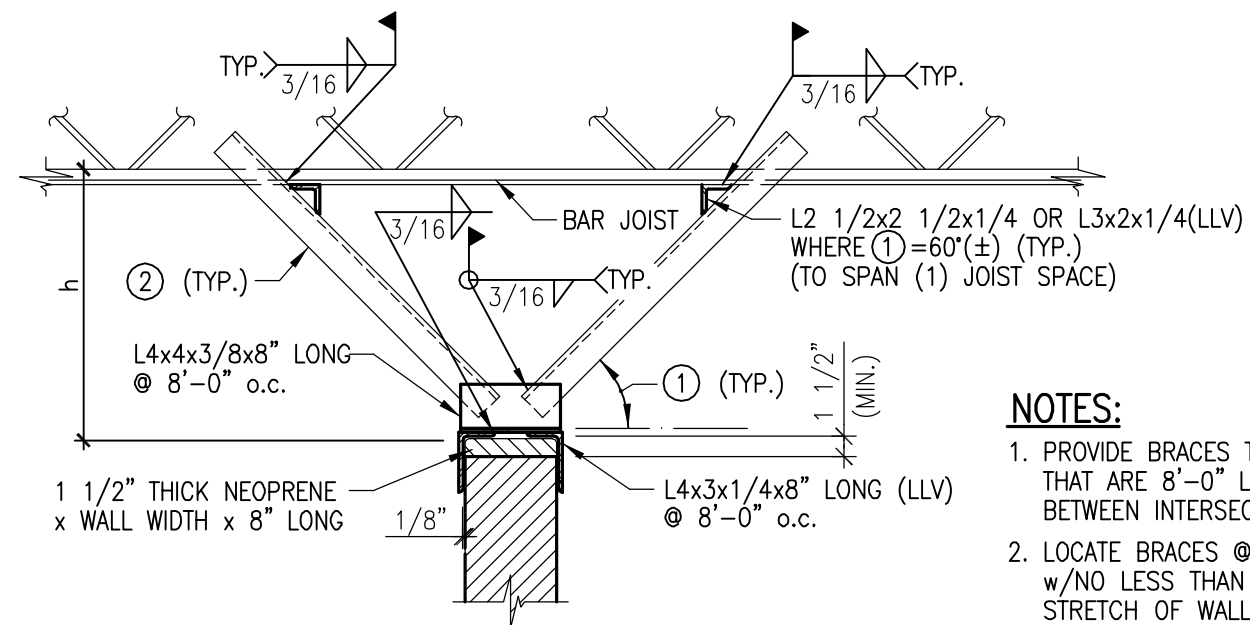
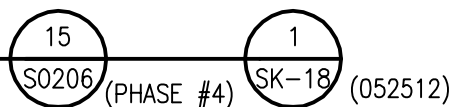
h	①	②
<7'-0"	45°(±)	L3x3x3/16
>7'-0"<12'-0"	60°(±)	L3x3x3/16

NOTES:

1. PROVIDE BRACES TO ALL WALLS THAT ARE 8'-0" LONG, OR MORE, BETWEEN INTERSECTING WALLS.
2. LOCATE BRACES @ 8'-0" o/c MAX. w/NO LESS THAN (2) BRACES PER STRETCH OF WALL.

**TYPICAL INTERIOR CMU WALL BRACE
- WALL PARALLEL TO BAR JOISTS**

NOT TO SCALE



h	①	②
<7'-0"	45°(±)	L3x3x3/16
>7'-0"<12'-0"	60°(±)	L3x3x3/16

NOTES:

1. PROVIDE BRACES TO ALL WALLS THAT ARE 8'-0" LONG, OR MORE, BETWEEN INTERSECTING WALLS.
2. LOCATE BRACES @ 8'-0" o/c MAX. w/NO LESS THAN (2) BRACES PER STRETCH OF WALL.

**TYPICAL INTERIOR CMU WALL BRACE
- WALL PERPENDICULAR TO BAR JOISTS**

NOT TO SCALE



Job Name: UNIVERSITY OF LOUISVILLE - STUDENT RECREATION

CENTER (PHASE #3, CCD)

Client: OMNI ARCHITECTS

Date: MAY 2012

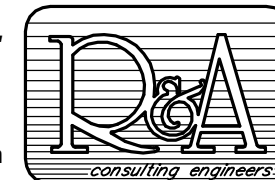
Sketch No: SK-18 (052512)

RANGASWAMY AND ASSOC., INC.

Suite 420, The Landmark Building
Louisville, Kentucky 40202.

phone : (502)589-2212

Fax : (502)589-2240 : www.rangaswamy.com



Remarks: SKETCHES 1/SK-18 (052512) & 2/SK-18 (052512) ILLUSTRATES NEW TYPICAL DETAILS.