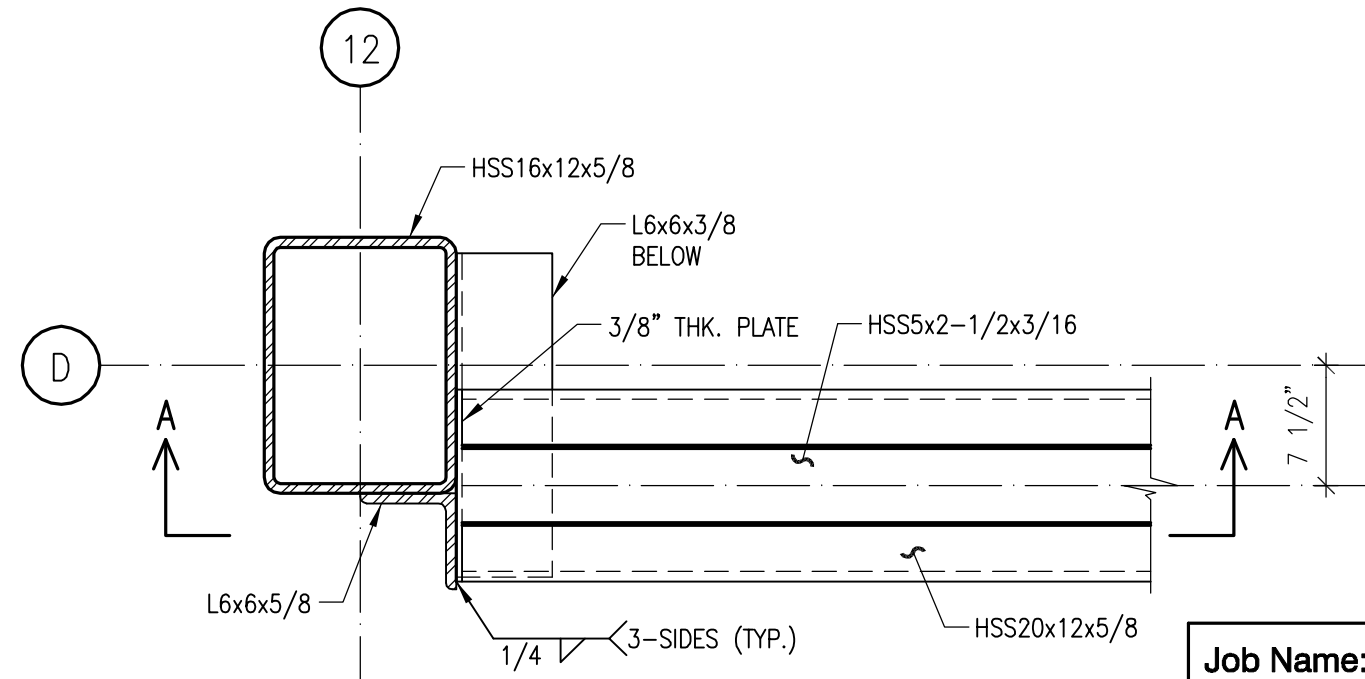


SECTION A-A



PLAN

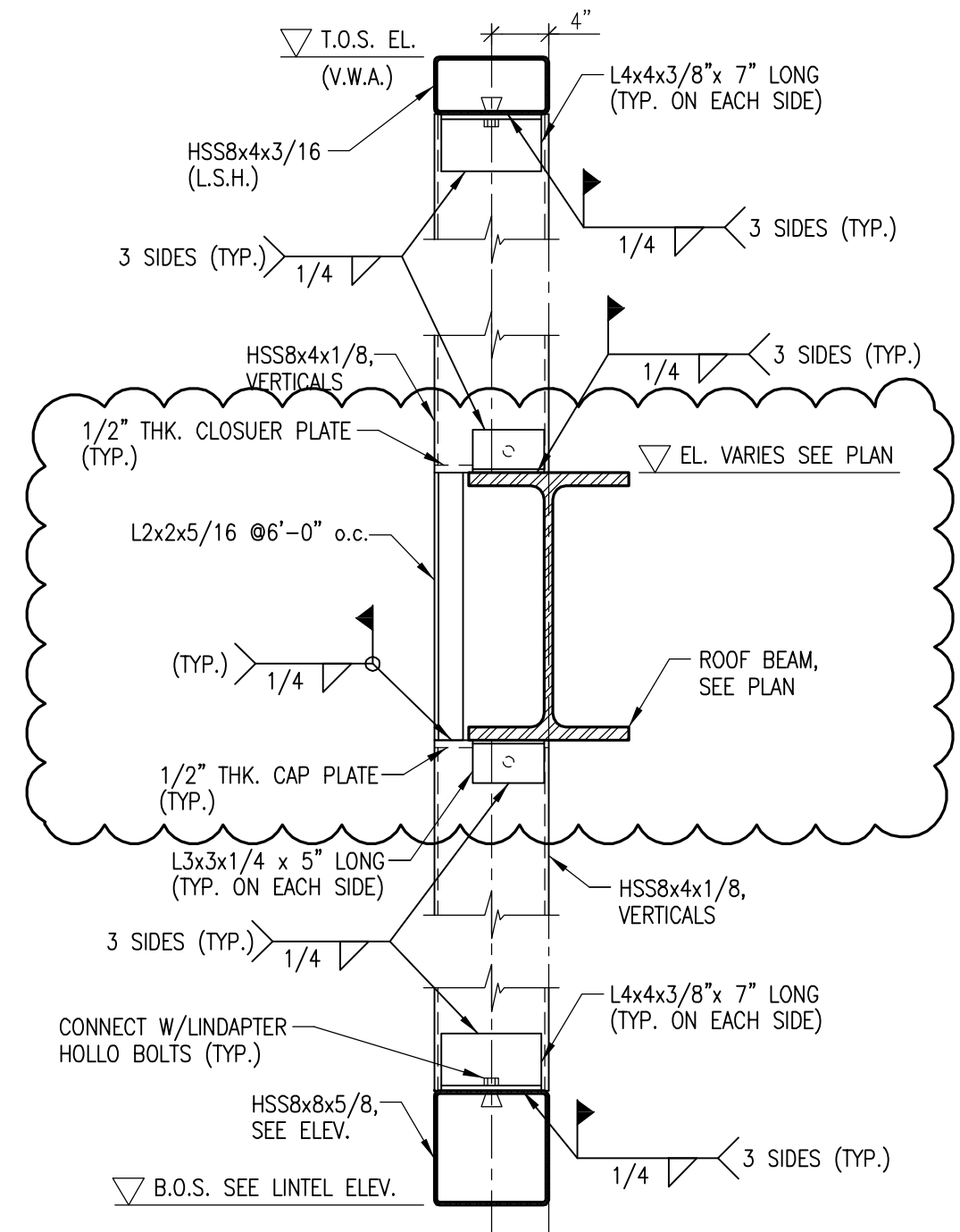
**NOTE:**

1. FLOOR DECK NOT SHOWN FOR CLARITY, SEE PLAN.

**DETAIL**

SCALE: 1"=1'-0"

1  
SK-19 (052512)



**SECTION**

SCALE: 1"=1'-0"

8 2  
S0177 SK-19 (052512)

**Job Name:** UNIVERSITY OF LOUISVILLE - STUDENT RECREATION

CENTER (PHASE #3, CCD)

**Client:** OMNI ARCHITECTS

**Date:** MAY 2012

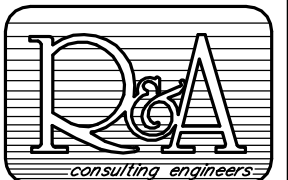
**Sketch No:** SK-19 (052512)

**RANGASWAMY AND ASSOC., INC.**

Suite 420, The Landmark Building  
Louisville, Kentucky 40202.

phone : (502)589-2212

Fax : (502)589-2240 : www.rangaswamy.com



**Remarks:** SKETCH 1/SK-19 (052512) ILLUSTRATES NEW DETAIL.

SKETCH 2/SK-19 (052512) CLOUDED PORTION SHOWS MAJOR REVISIONS TO SECTION 8/S0177.