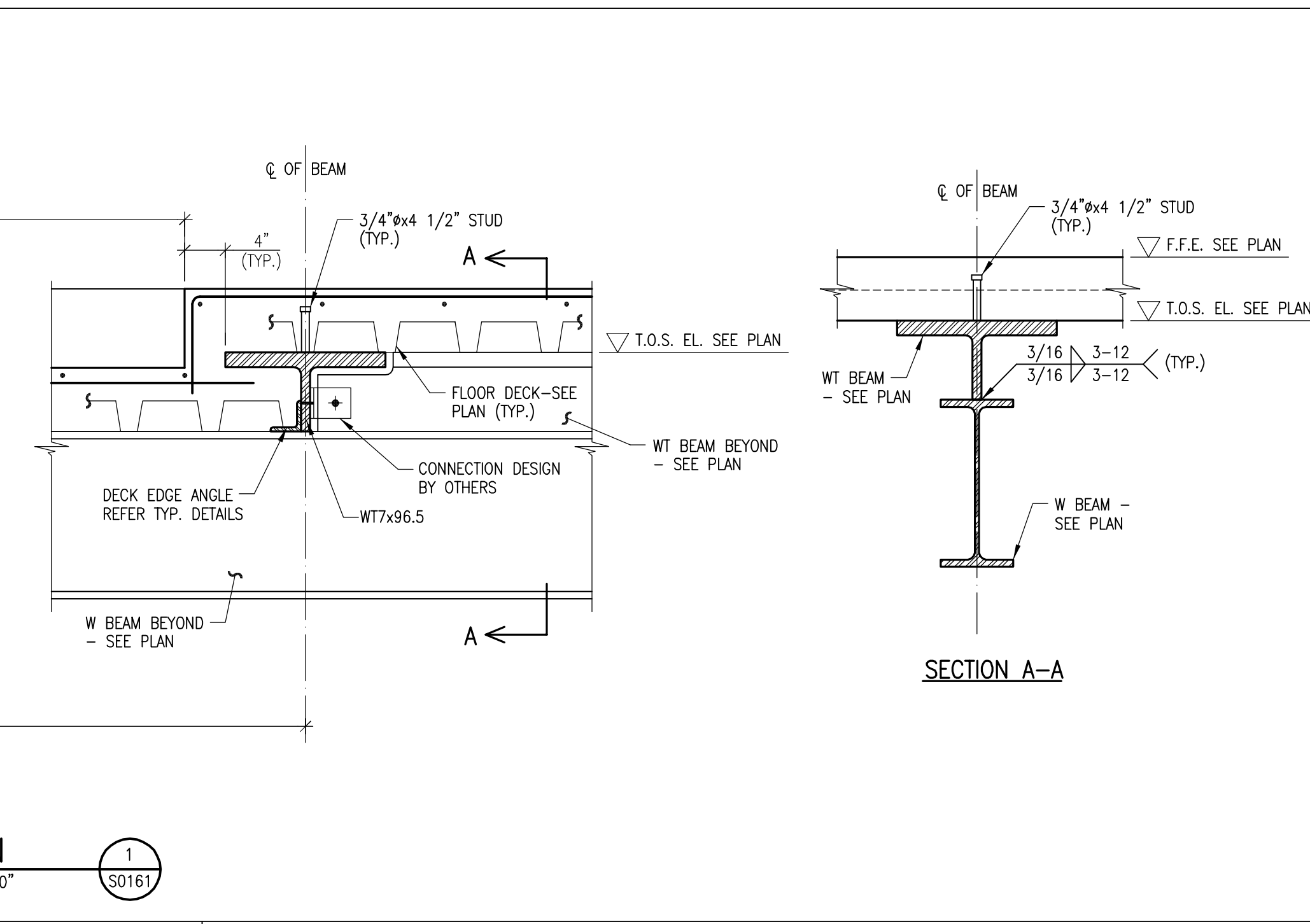
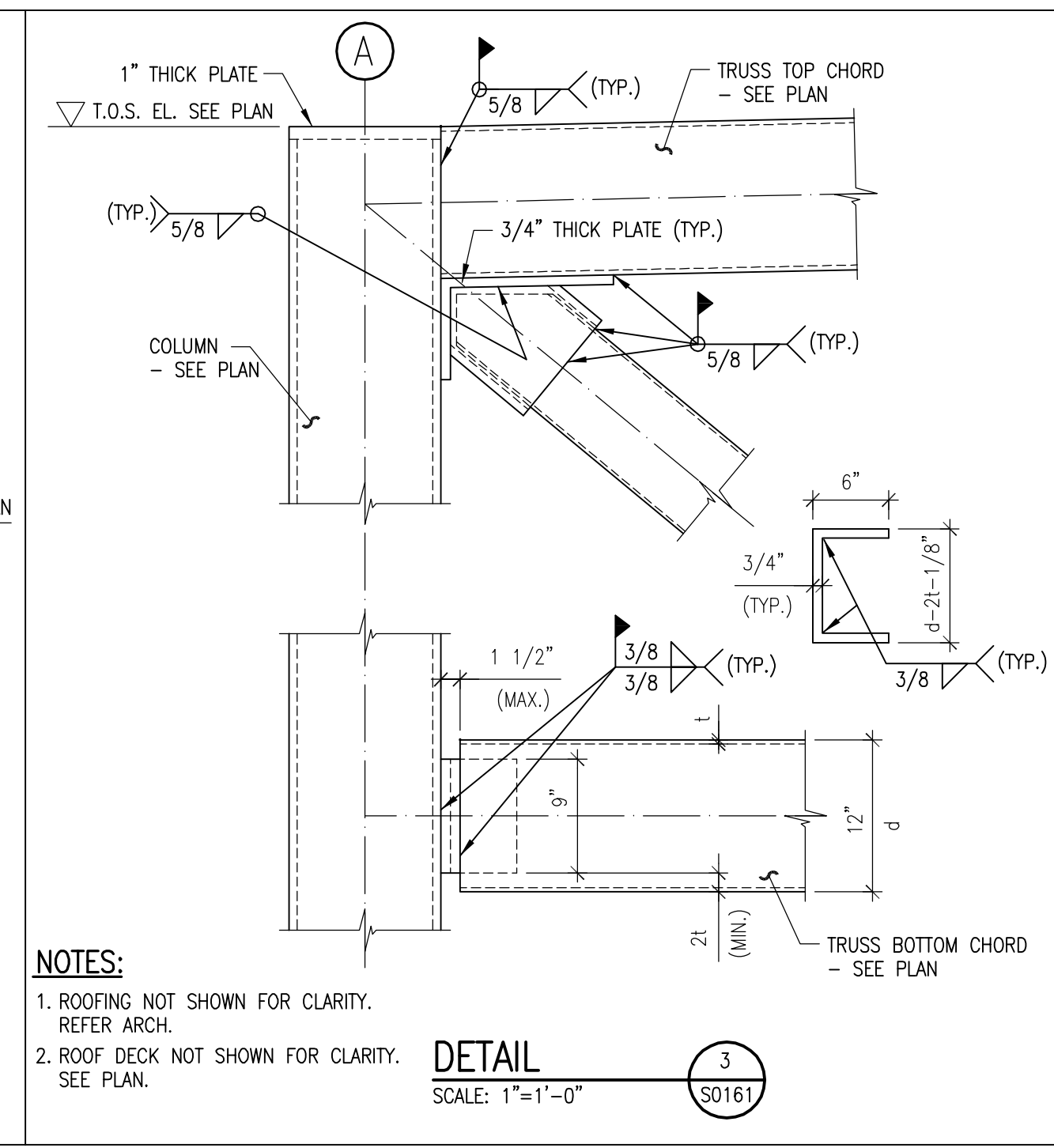


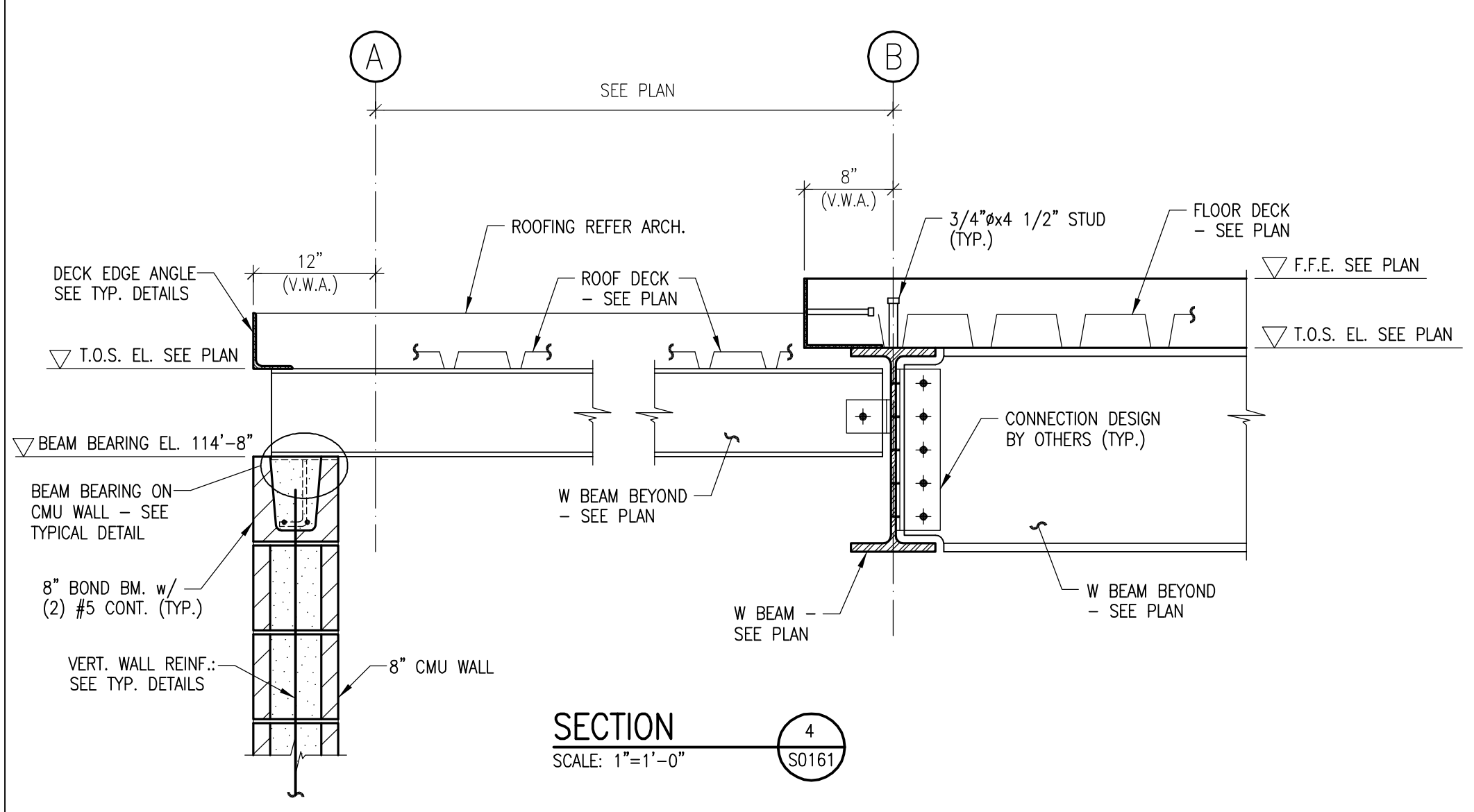
SECTION 1
SCALE: 1"=1'-0"
S0161



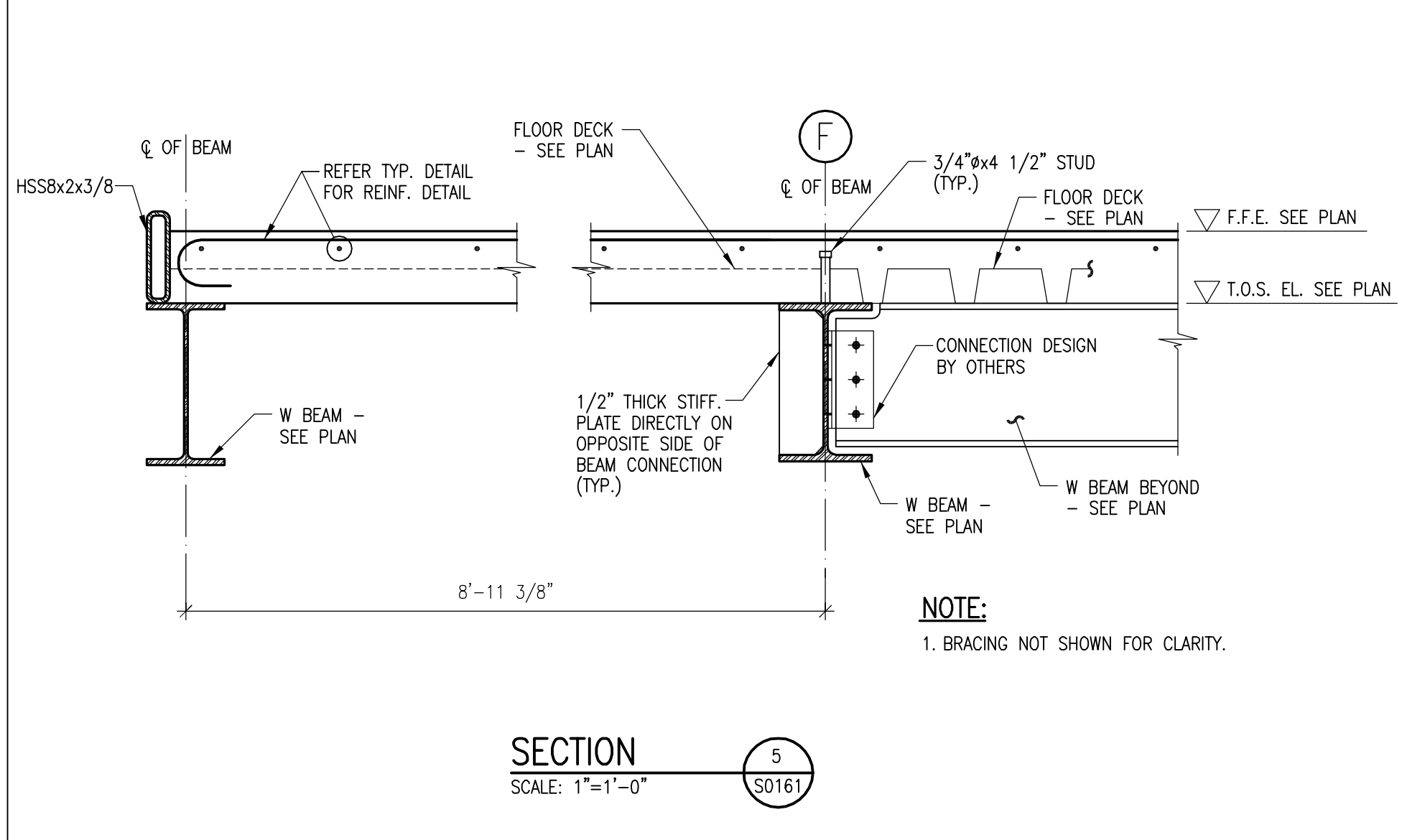
SECTION 2
SCALE: 1"=1'-0"
S0161



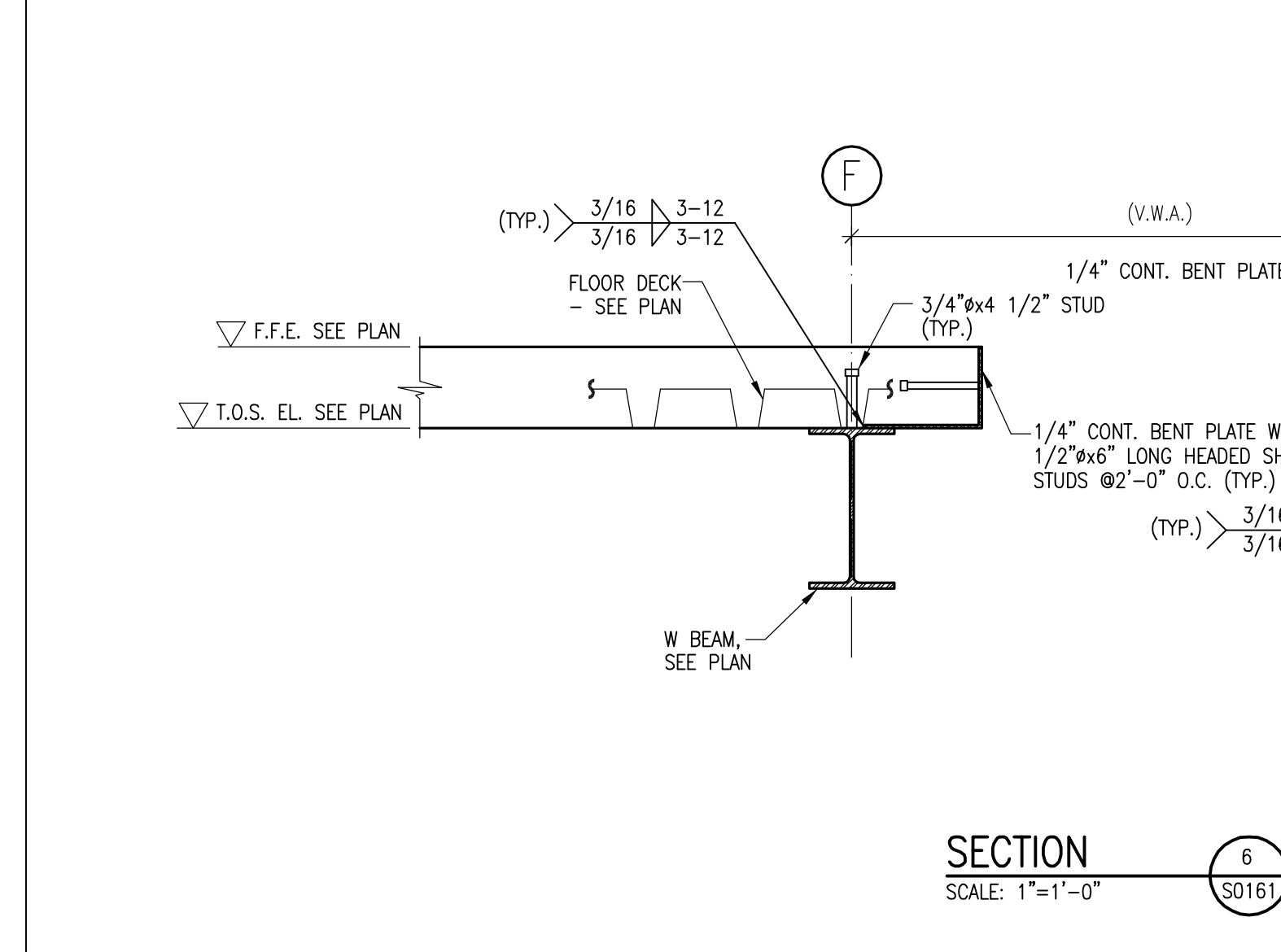
DETAIL 3
SCALE: 1"=1'-0"
S0161



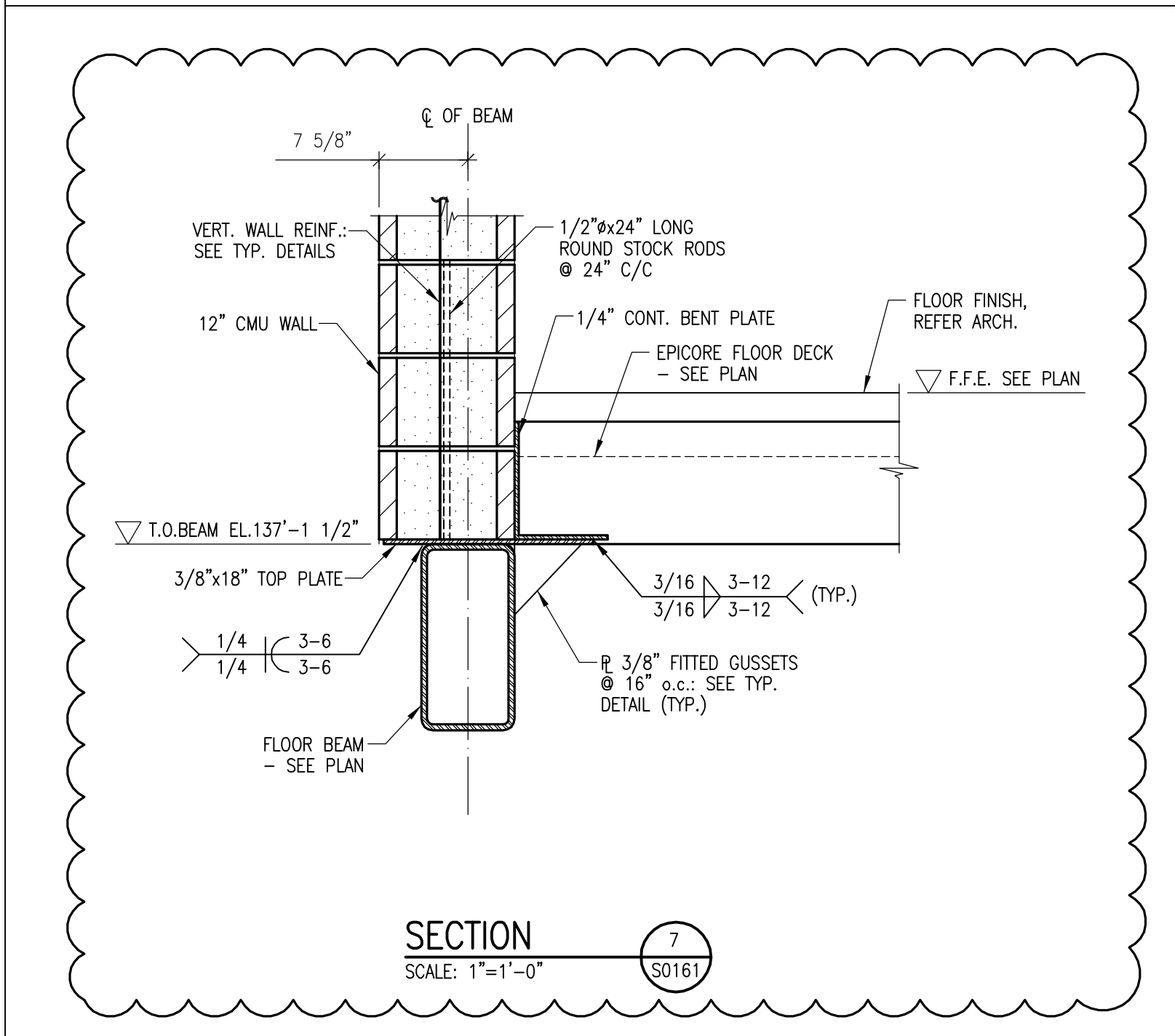
SECTION 4
SCALE: 1"=1'-0"
S0161



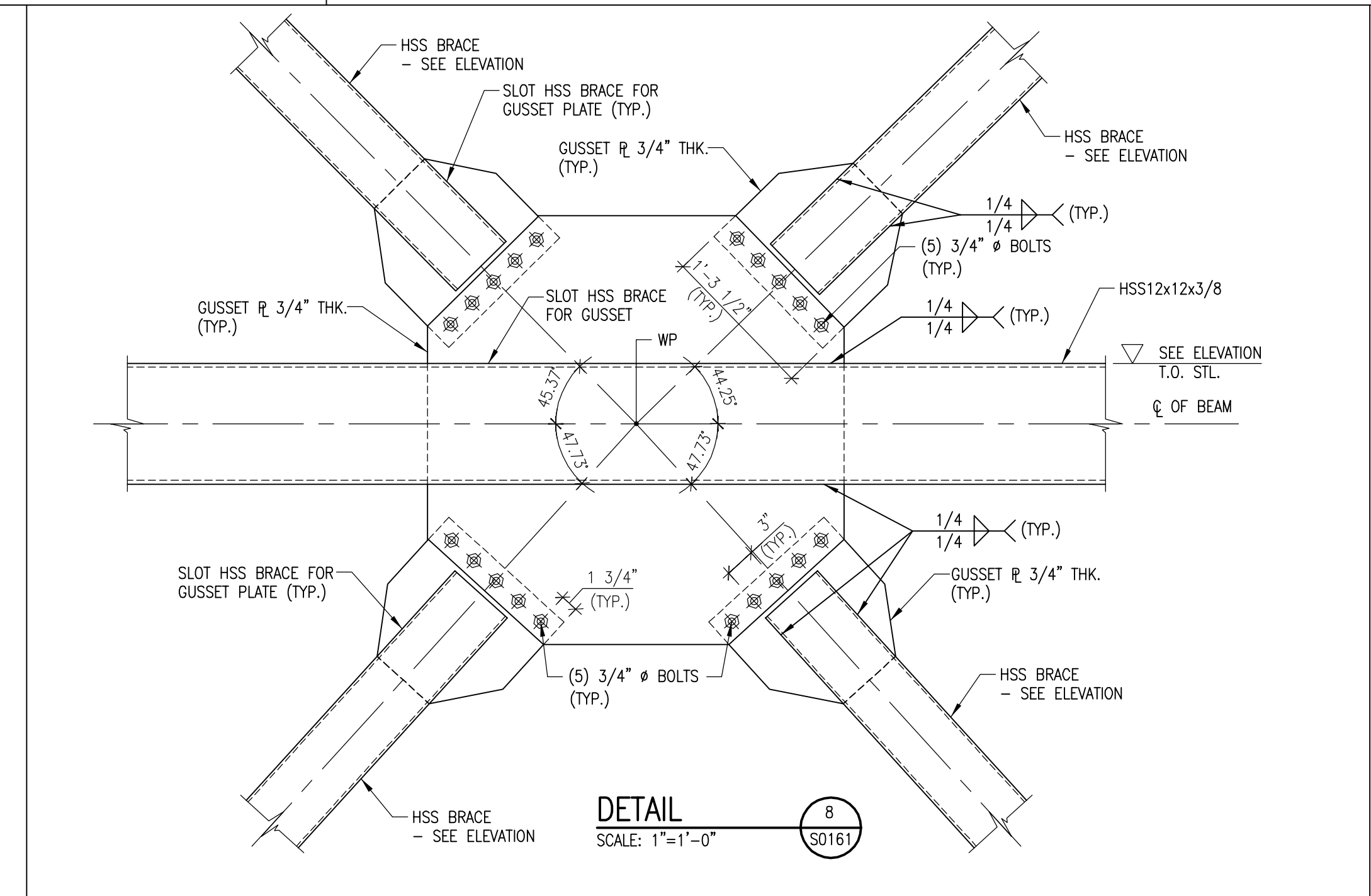
SECTION 5
SCALE: 1"=1'-0"
S0161



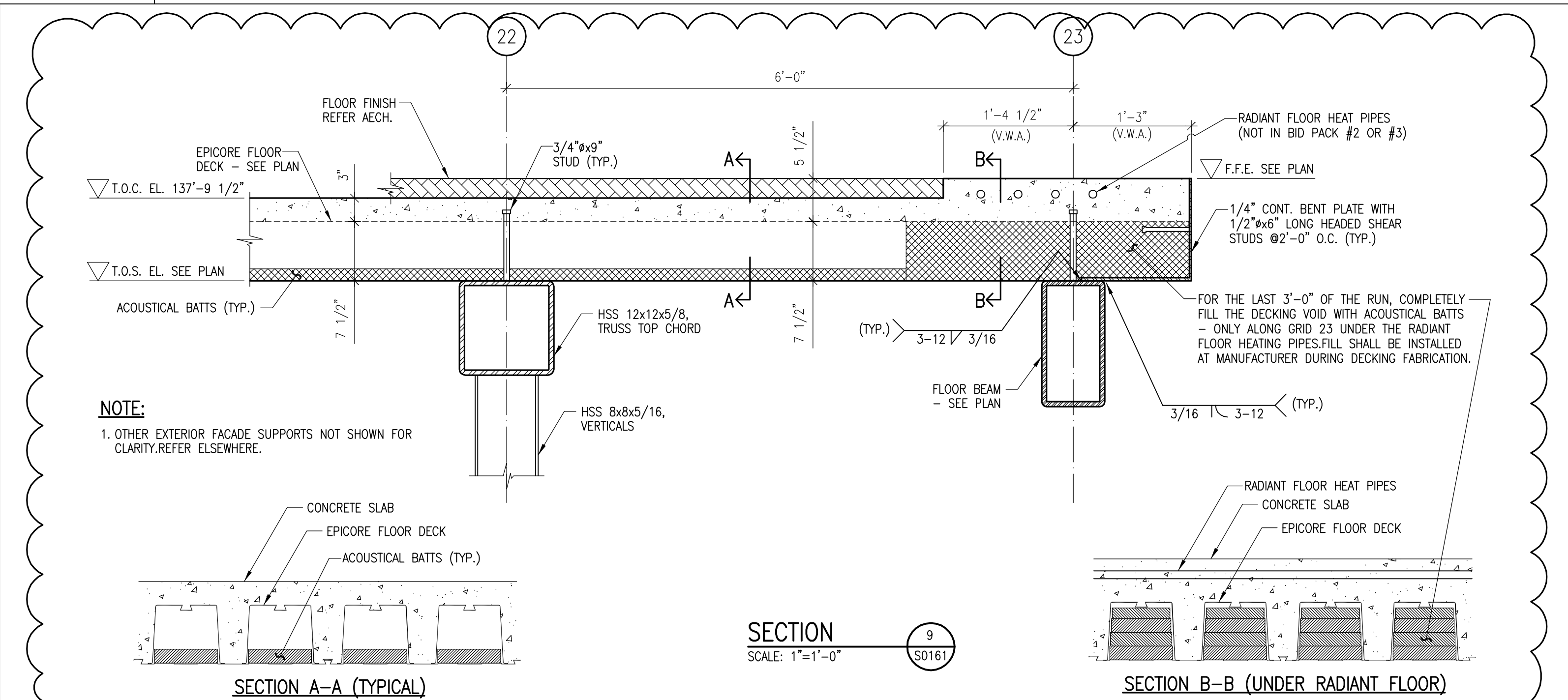
SECTION 6
SCALE: 1"=1'-0"
S0161



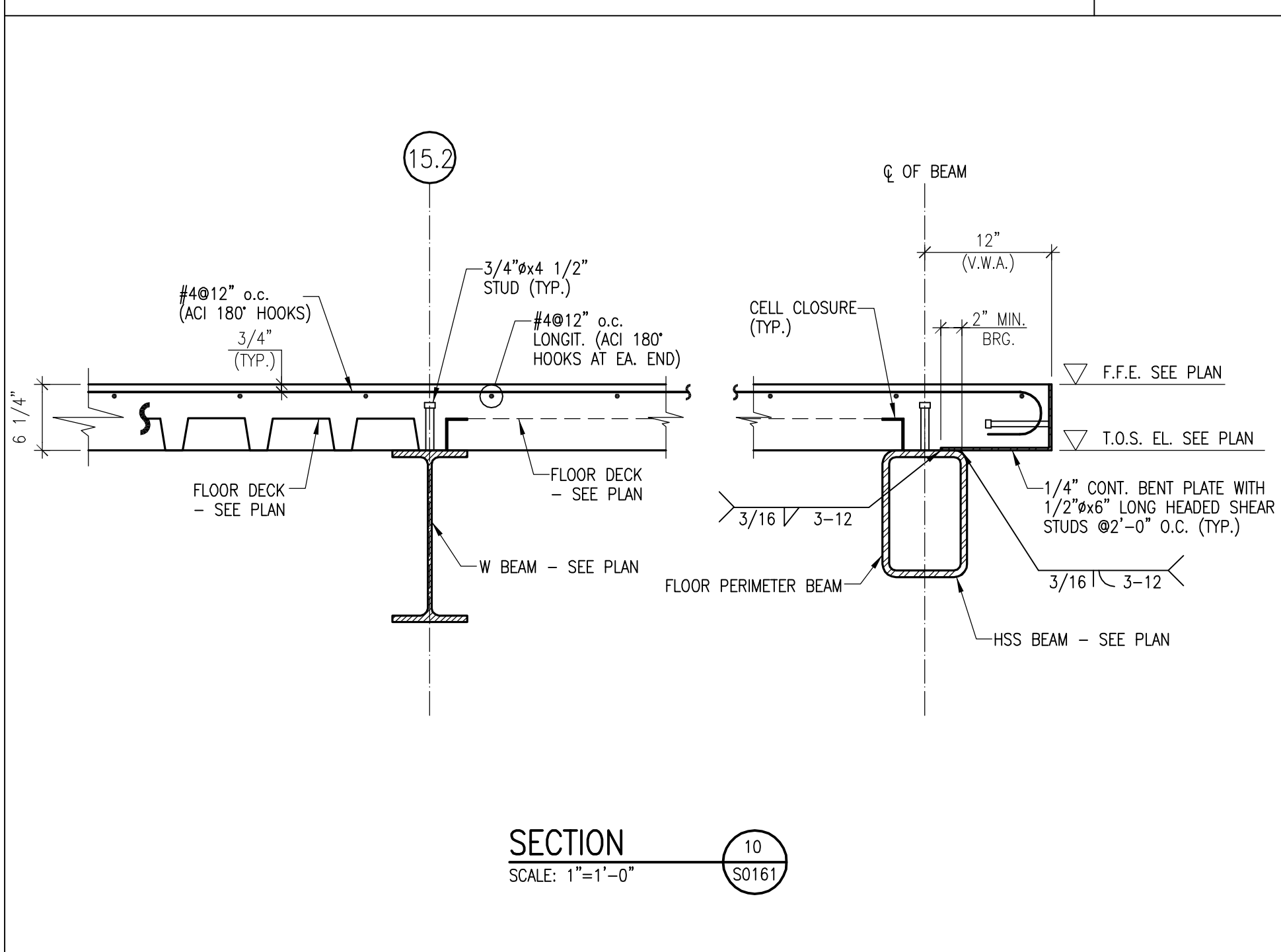
SECTION 7
SCALE: 1"=1'-0"
S0161



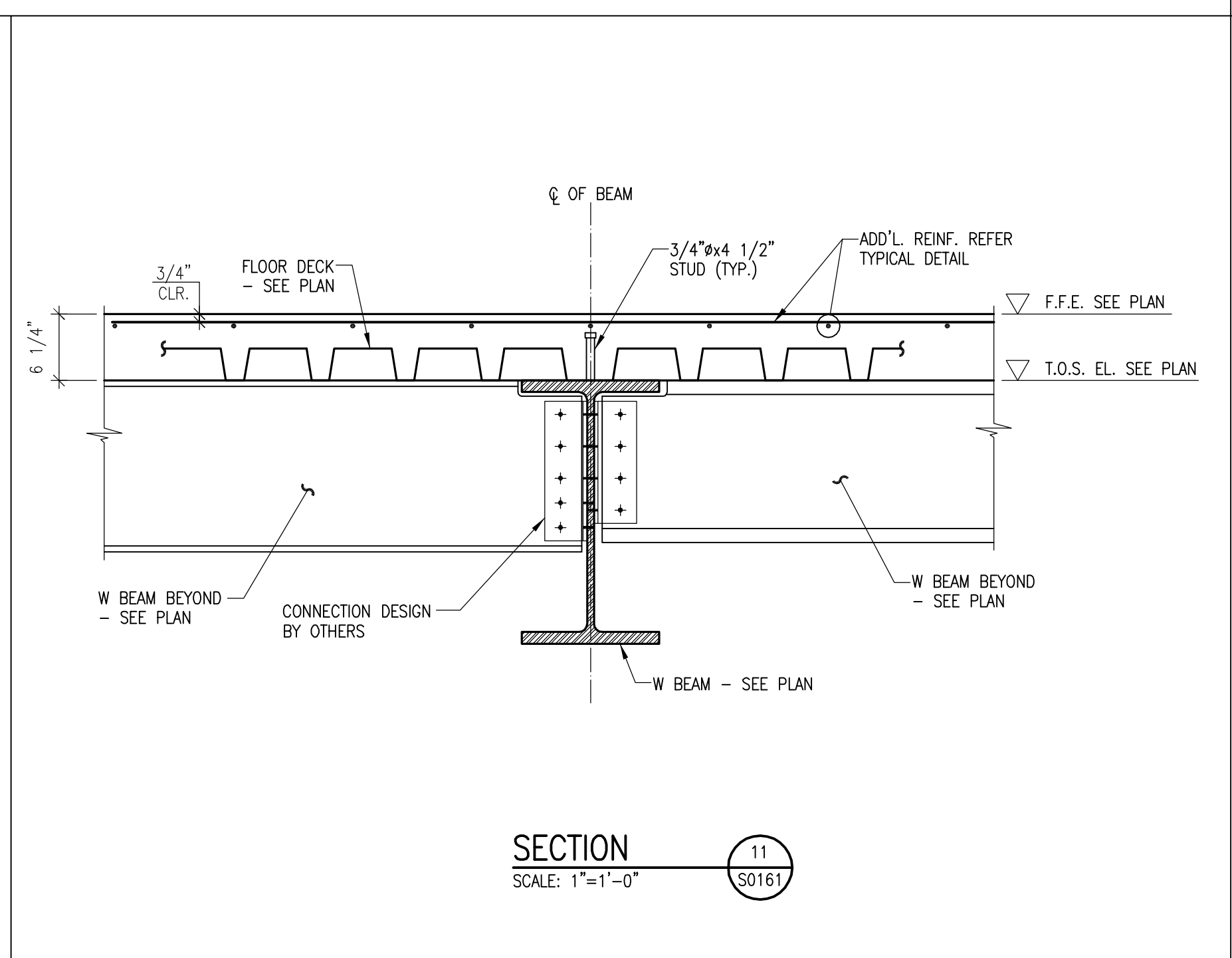
DETAIL 8
SCALE: 1"=1'-0"
S0161



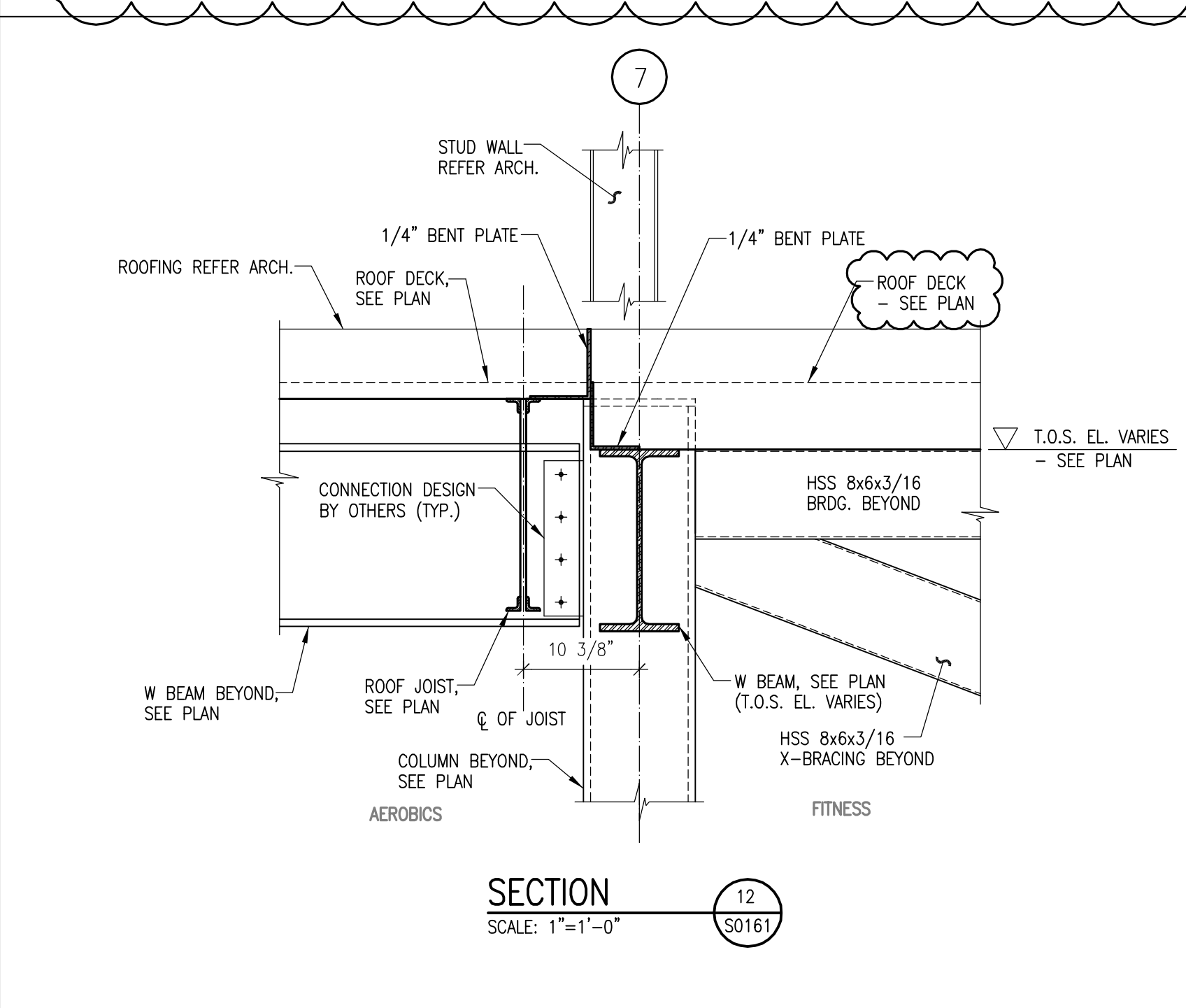
SECTION 9
SCALE: 1"=1'-0"
S0161



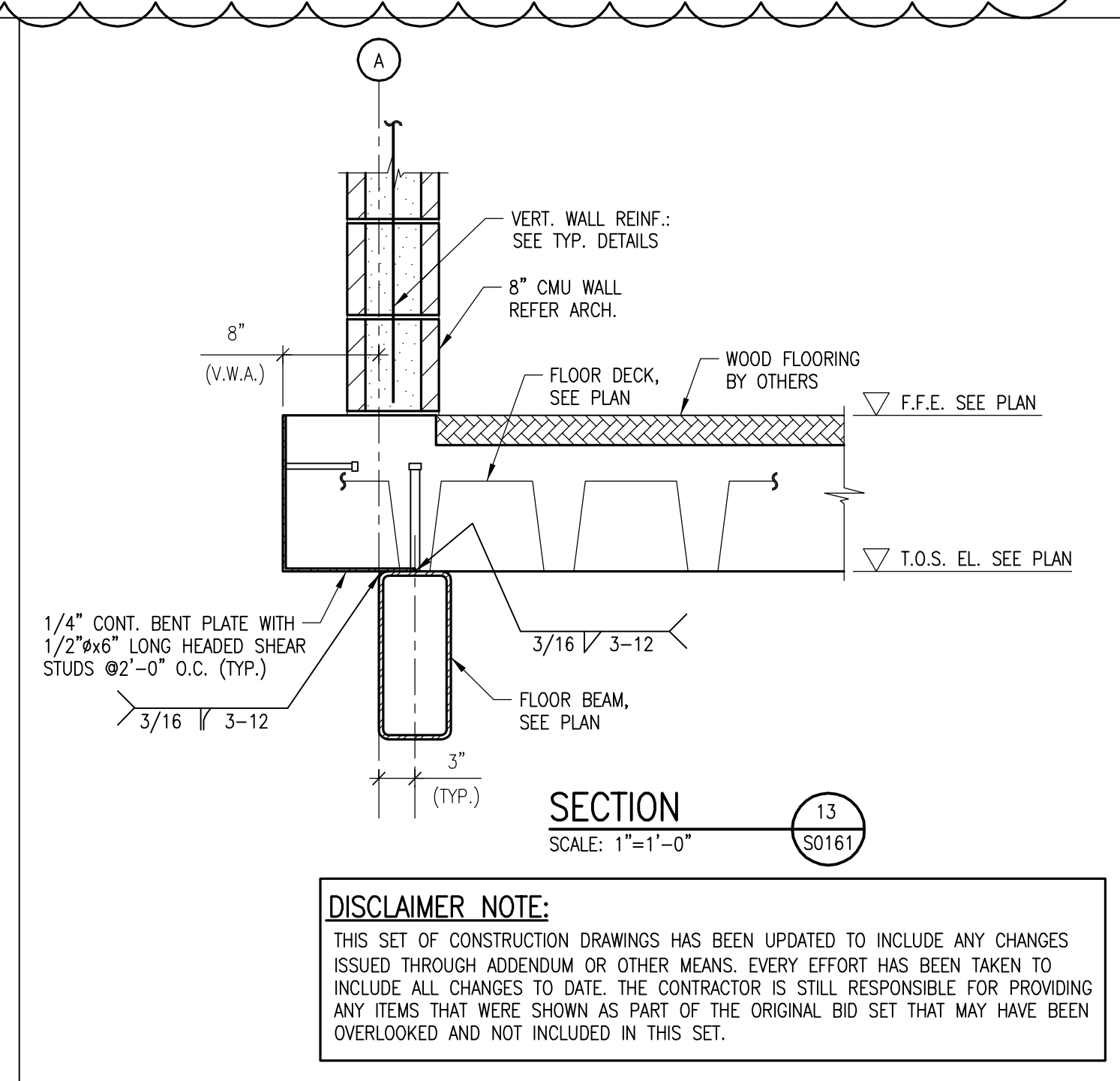
SECTION 10
SCALE: 1"=1'-0"
S0161



SECTION 11
SCALE: 1"=1'-0"
S0161



SECTION 12
SCALE: 1"=1'-0"
S0161



SECTION 13
SCALE: 1"=1'-0"
S0161

DISCLAIMER NOTE:
THIS SET OF CONSTRUCTION DRAWINGS HAS BEEN UPDATED TO INCLUDE ANY CHANGES ISSUED THROUGH ADDENDUM OR OTHER MEANS. EVERY EFFORT HAS BEEN TAKEN TO INCLUDE ALL CHANGES TO DATE. THE CONTRACTOR IS STILL RESPONSIBLE FOR PROVIDING ANY ITEMS THAT WERE SHOWN AS PART OF THE ORIGINAL BID SET THAT MAY HAVE BEEN OVERLOOKED AND NOT INCLUDED IN THIS SET.

University of Louisville - Student Recreation Center (Phase #3 - Construction Set) Louisville, Ky

<p>Omni ARCHITECTS</p> <p>212 North Upper Street Lexington, Kentucky 40507-1001 p 859.252.6664 f 859.253.2358 www.omniarchitects.com</p>	<p>CANNONDESIGN</p>	<p>UNIVERSITY OF LOUISVILLE</p>	<p>Revision Date</p>
			<p>Drawing Name: SECTIONS AND DETAILS</p>
			<p>U of L Project Number: Omni - 1105.00 Cannon - 03667.00</p>
			<p>Project Number: Omni - 1105.00 Cannon - 03667.00</p> <p>Date: March 02, 2012</p> <p>Drawn By: VPP</p> <p>Checked By: ANTHONY</p>

S0161

© Cannon Design 2010. This document may be reproduced or utilized in any form, without prior written authorization by The Cannon Corporation.