

**Omni** ARCHITECTS  
 212 North Upper Street  
 Lexington, Kentucky 40507-1001  
 P 859.252.6664 F 859.253.2358  
 www.omniarchitects.com

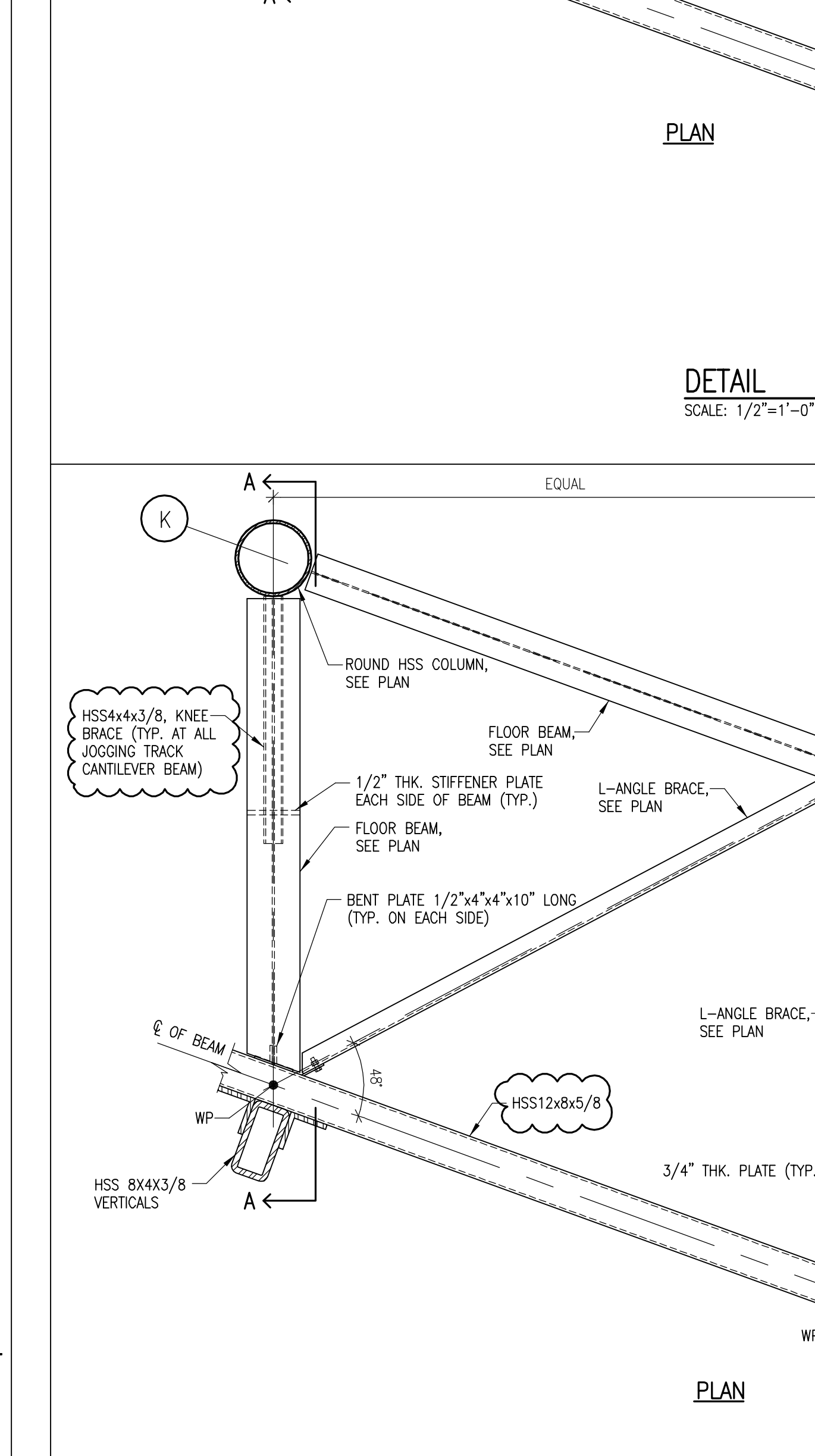
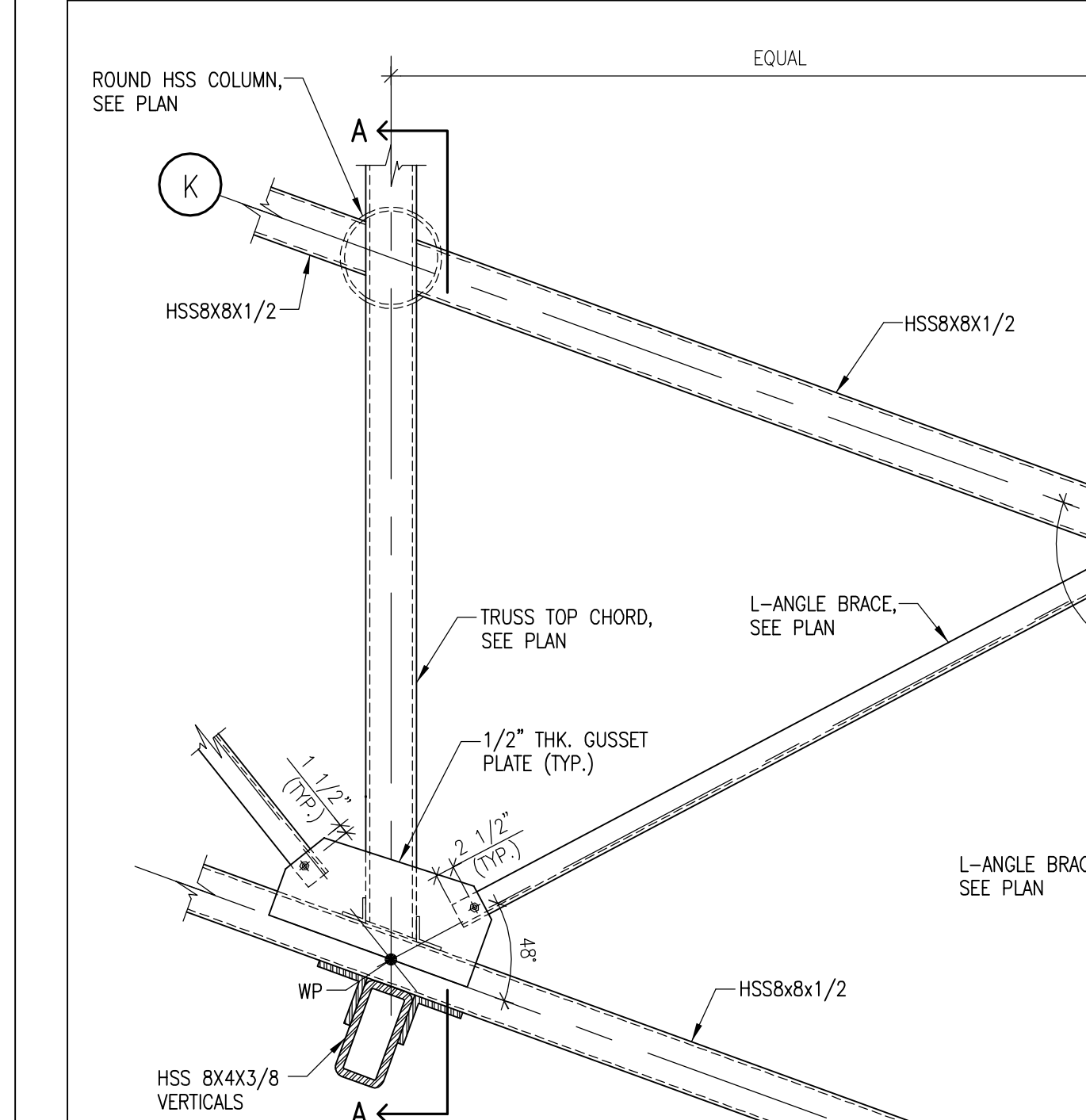
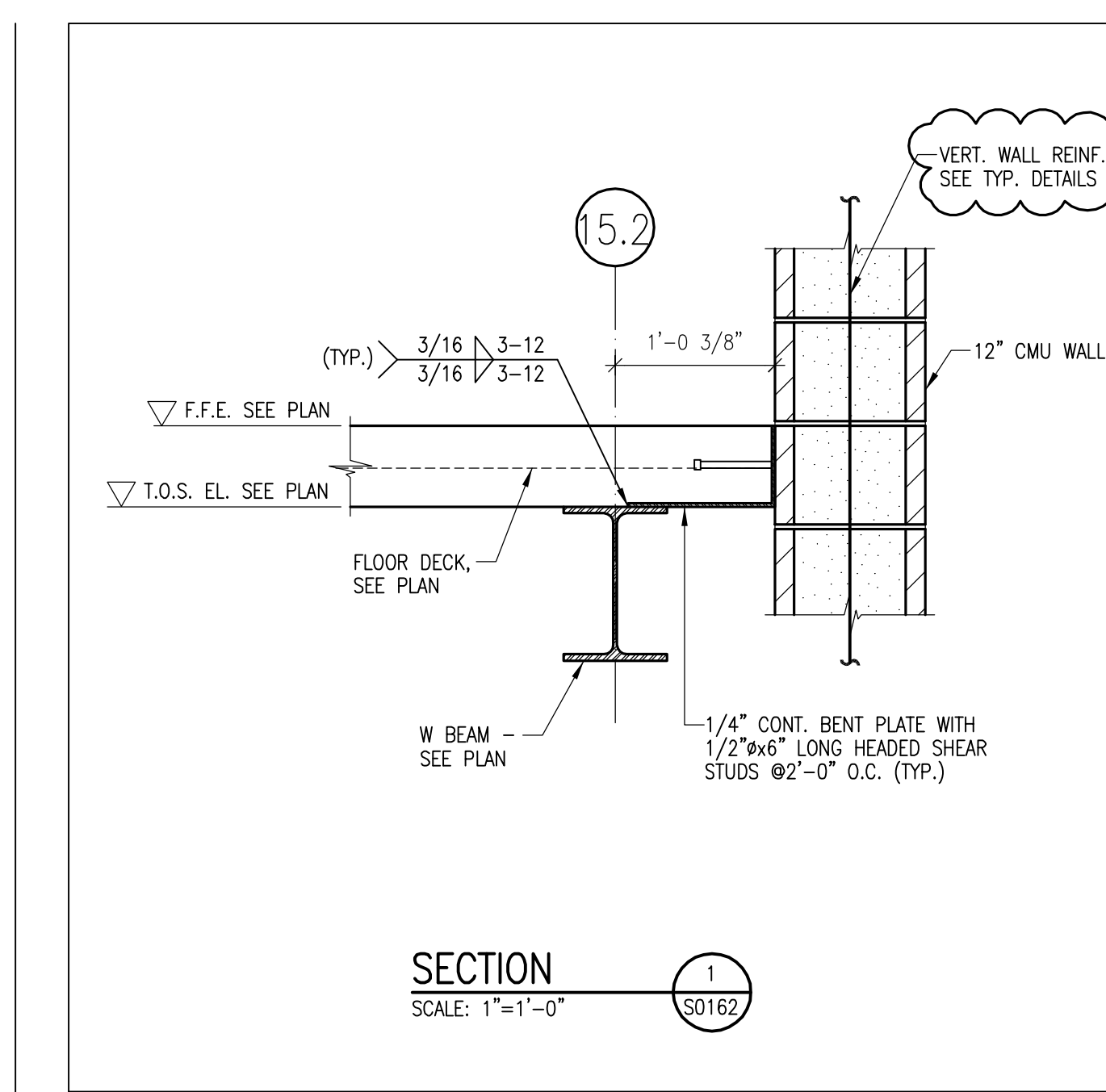
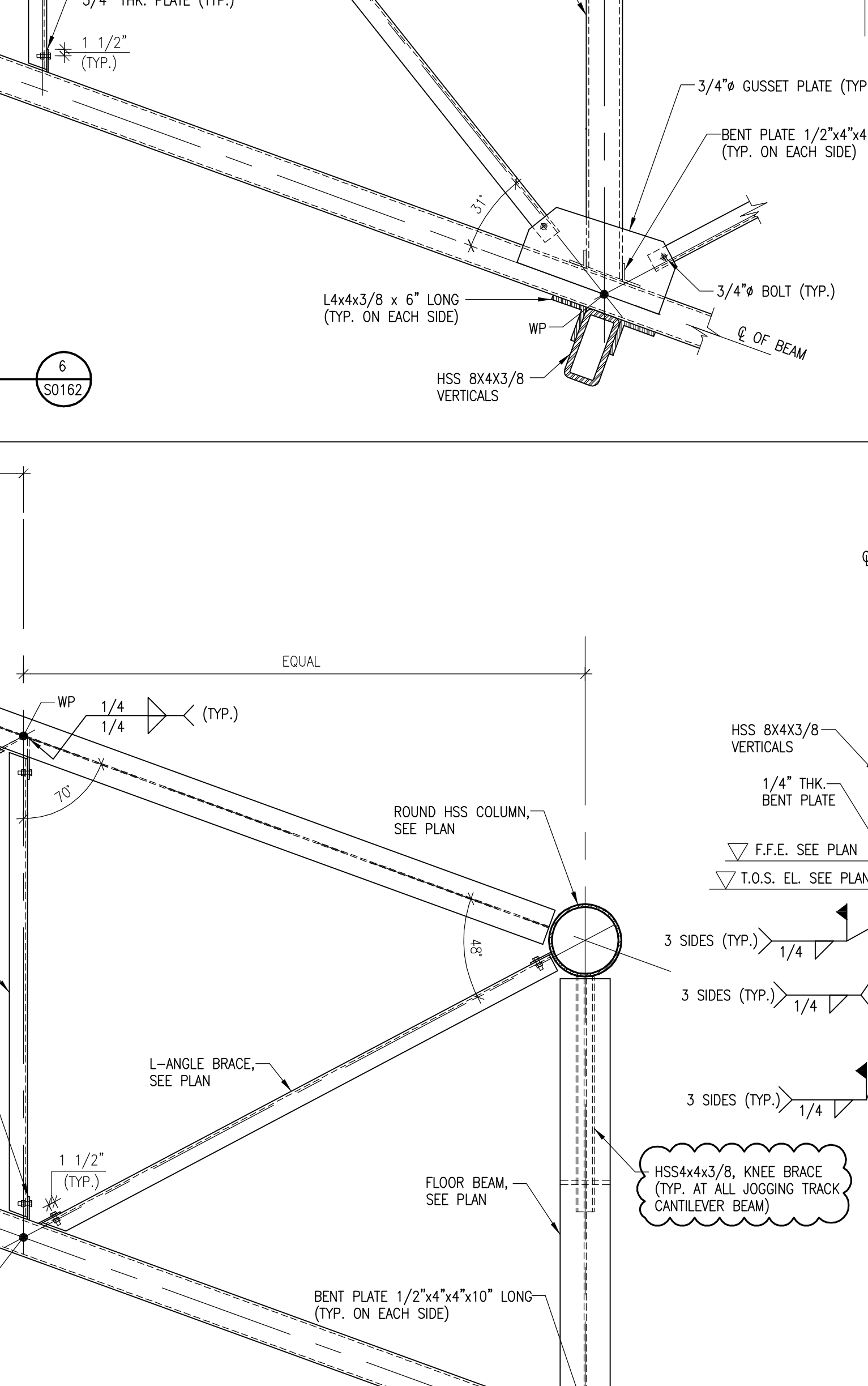
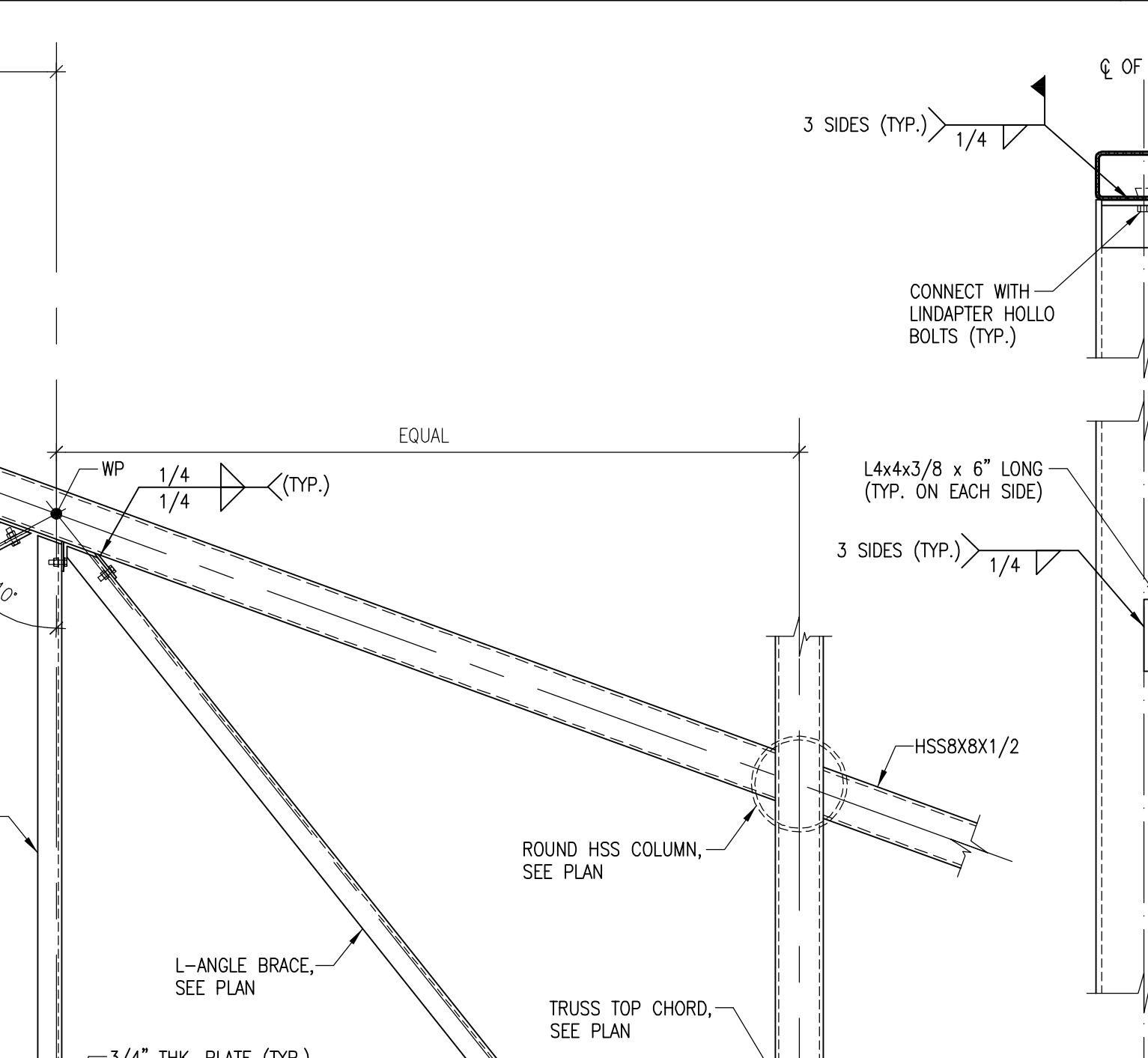
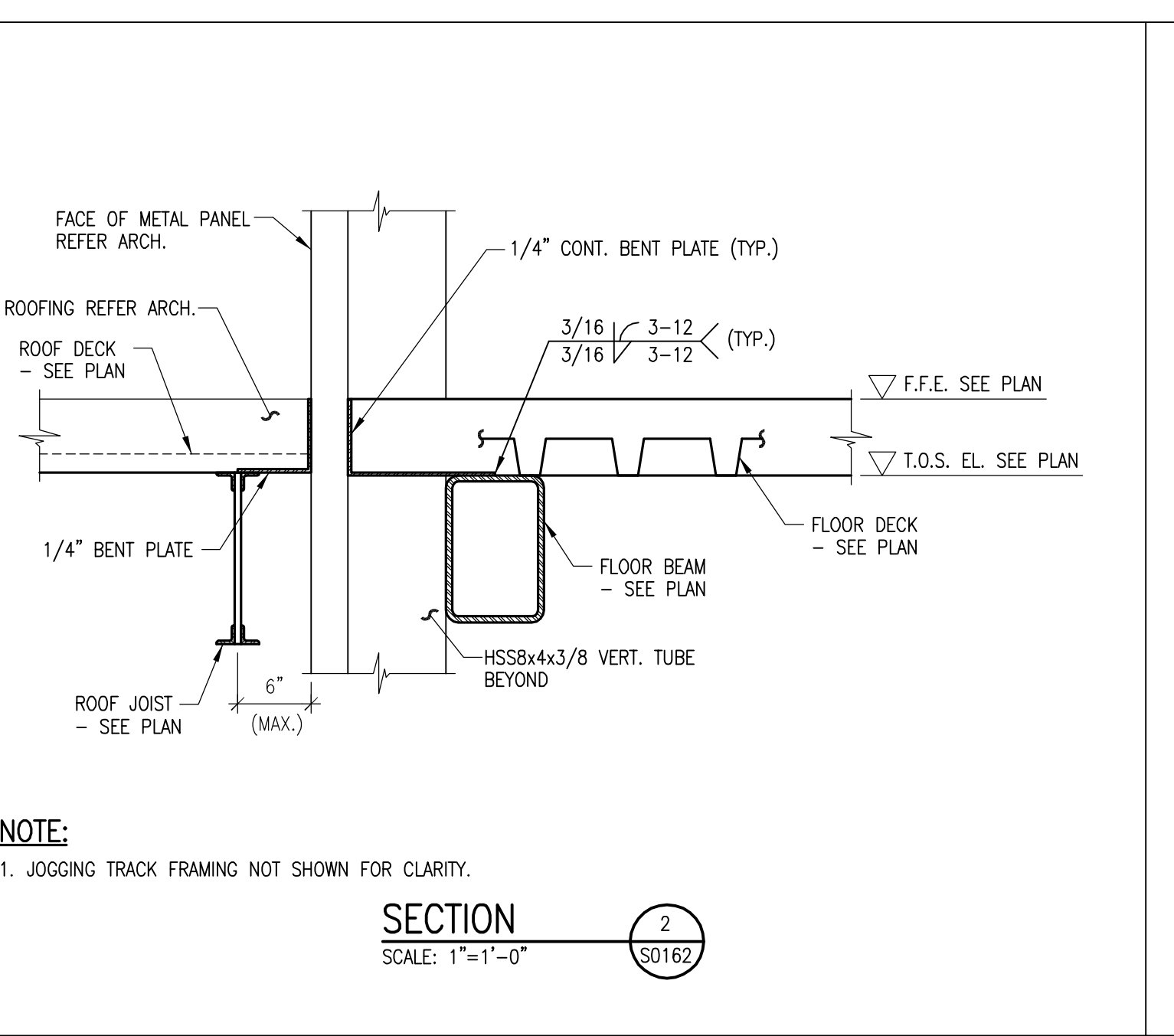
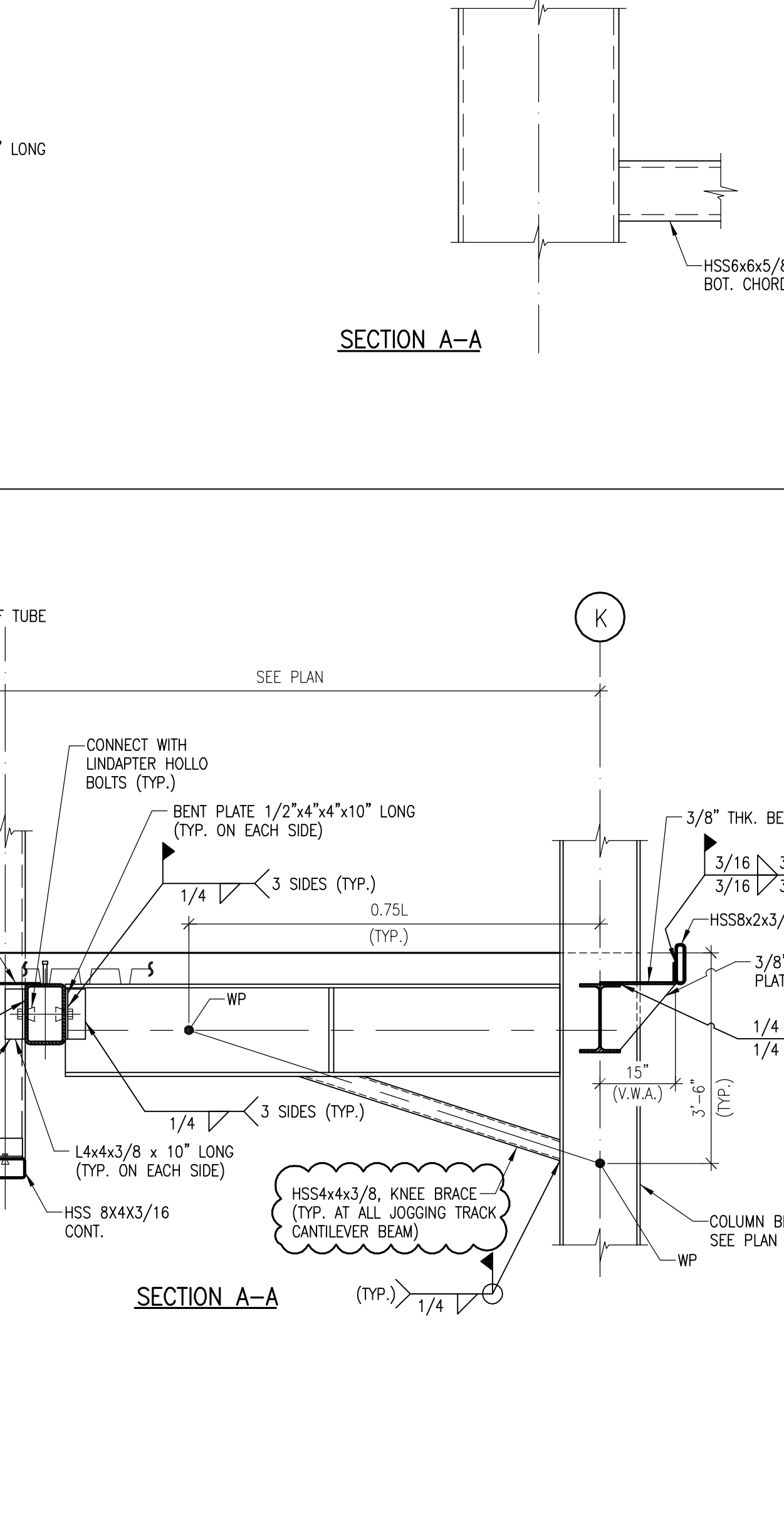
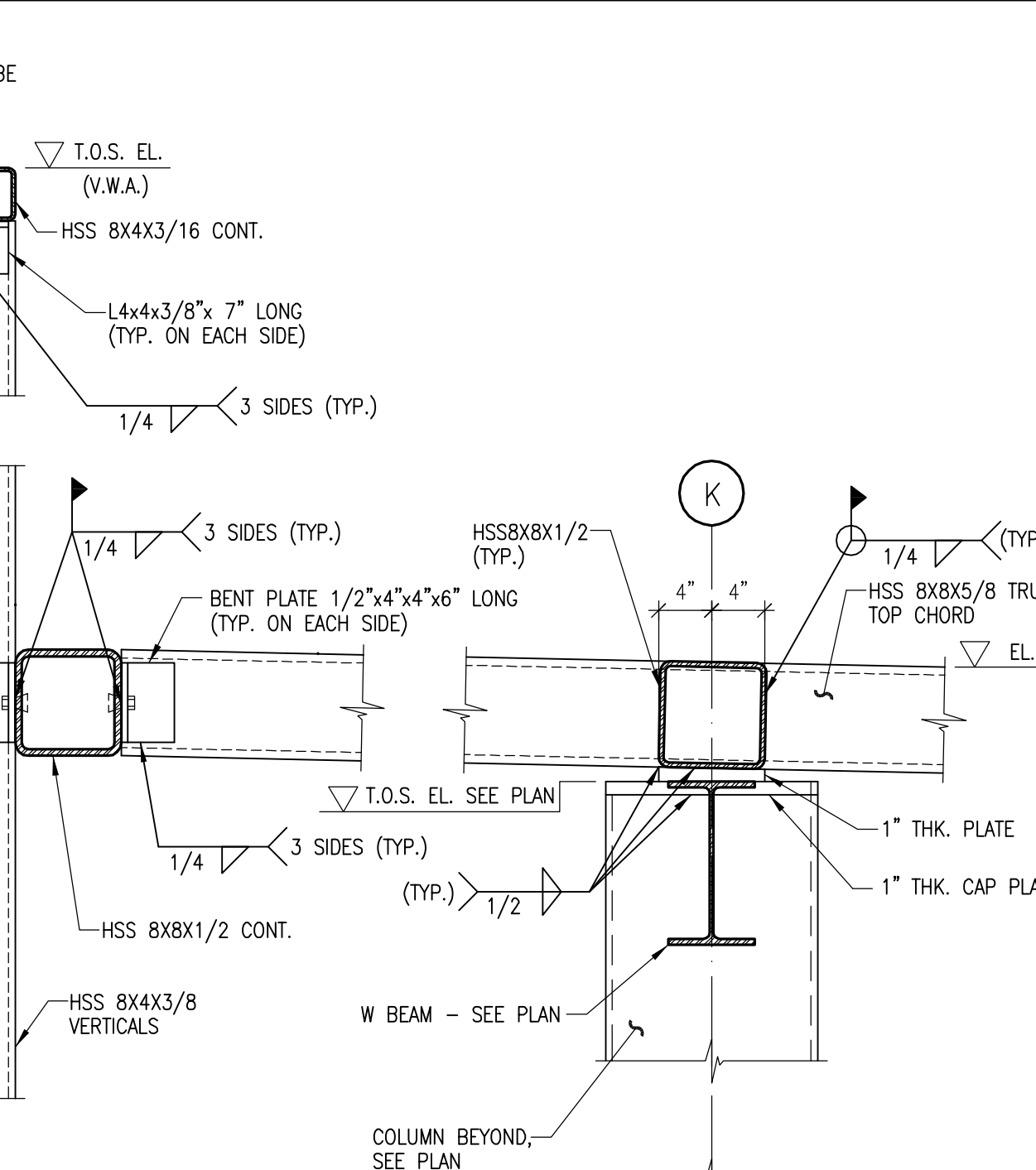
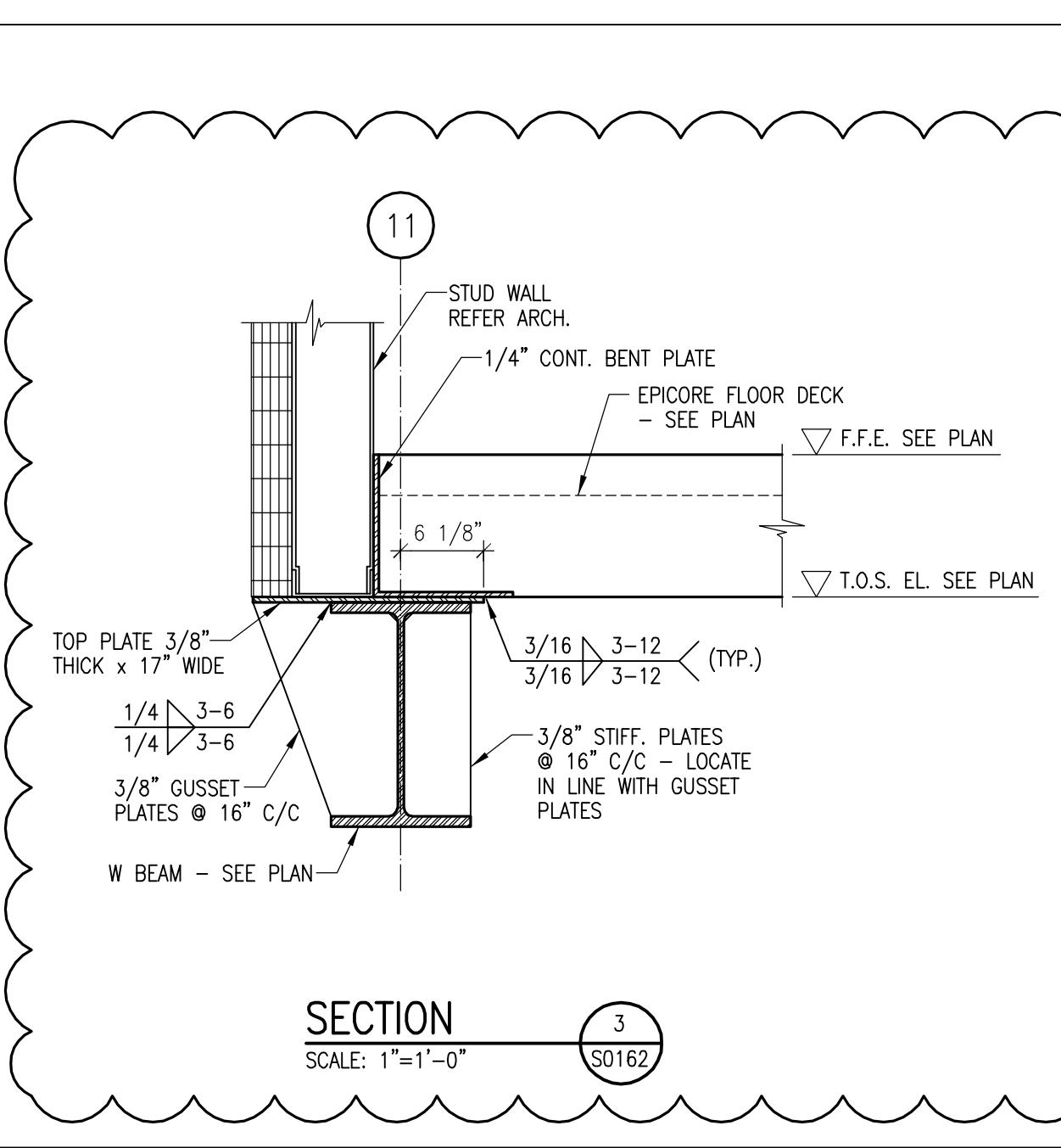
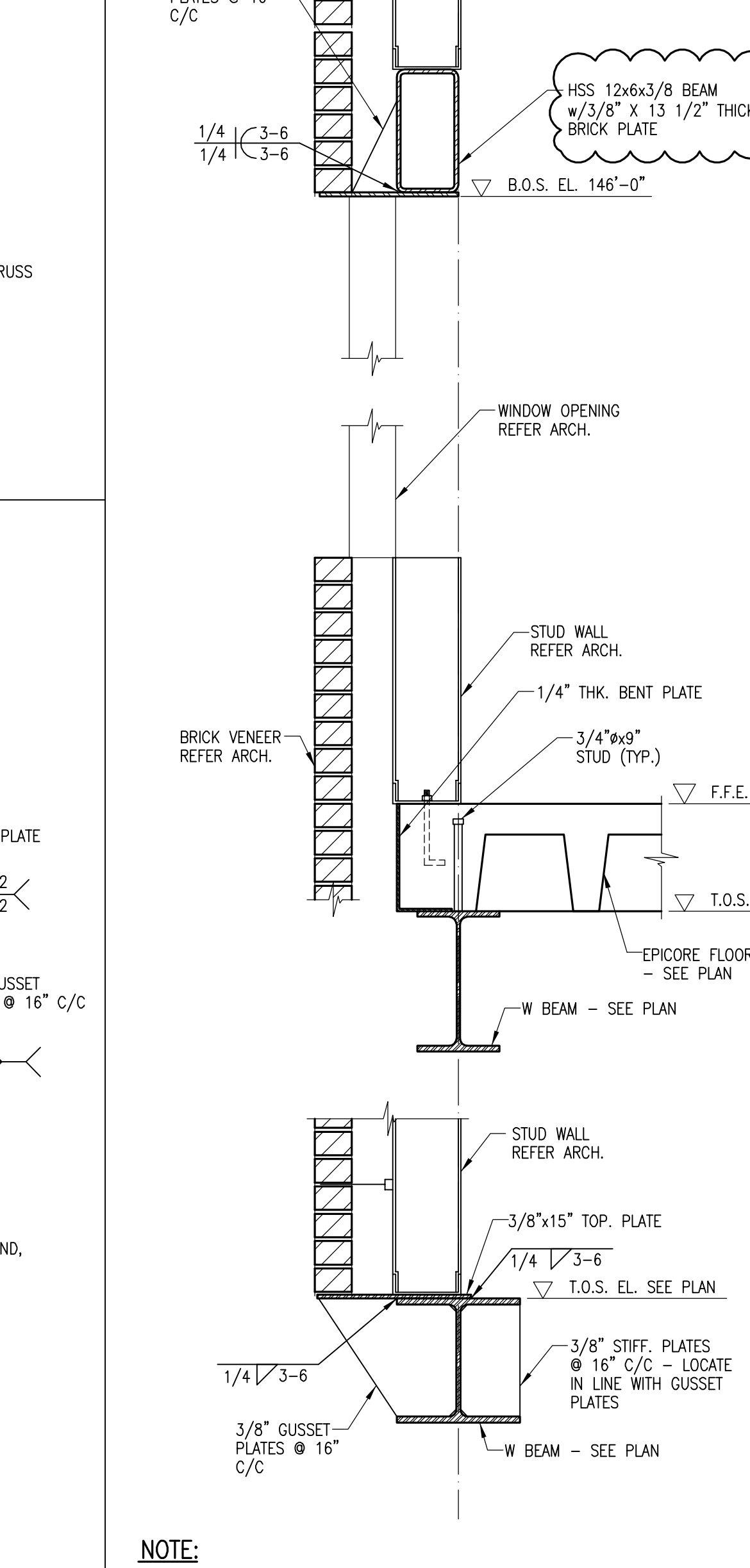
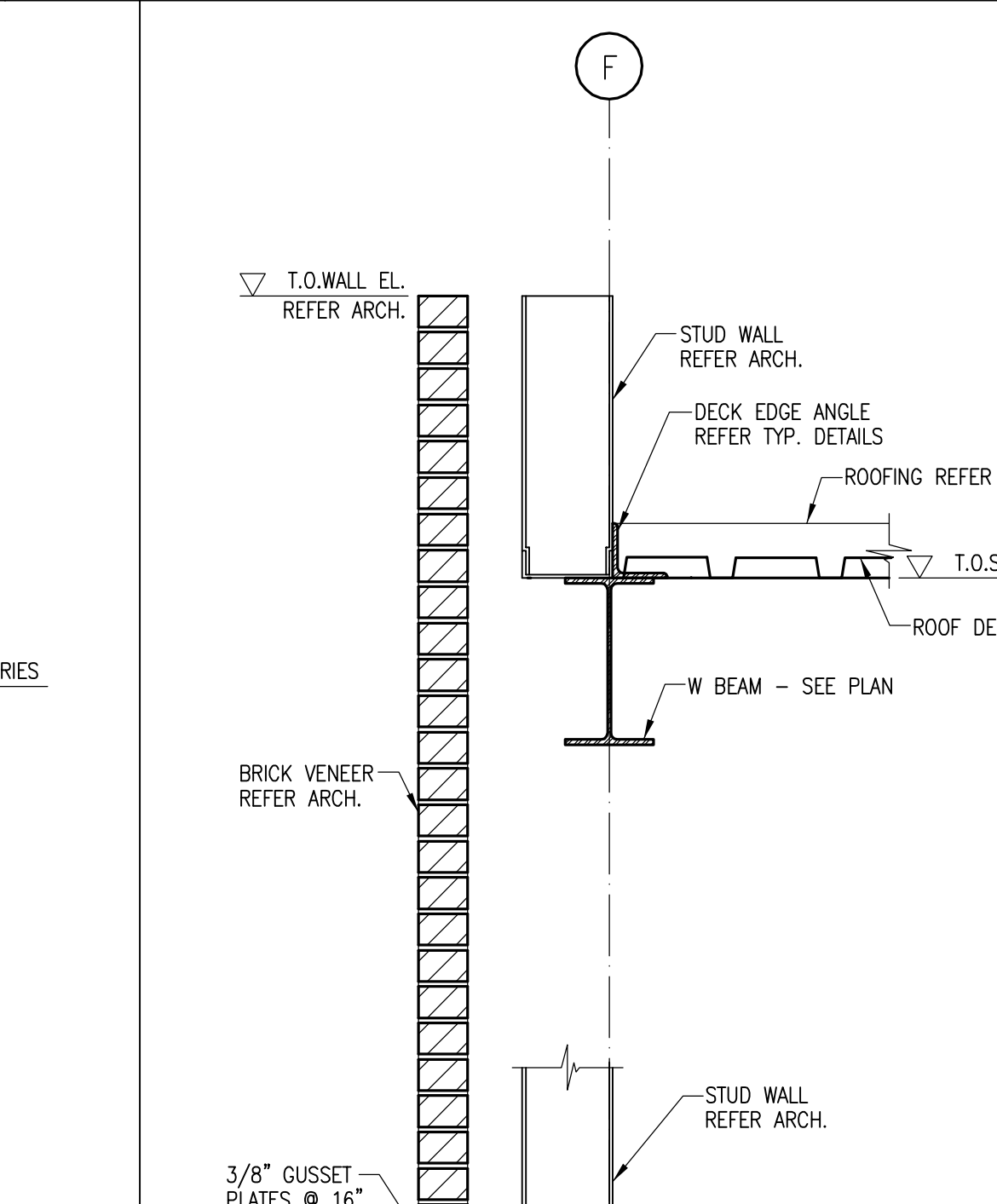
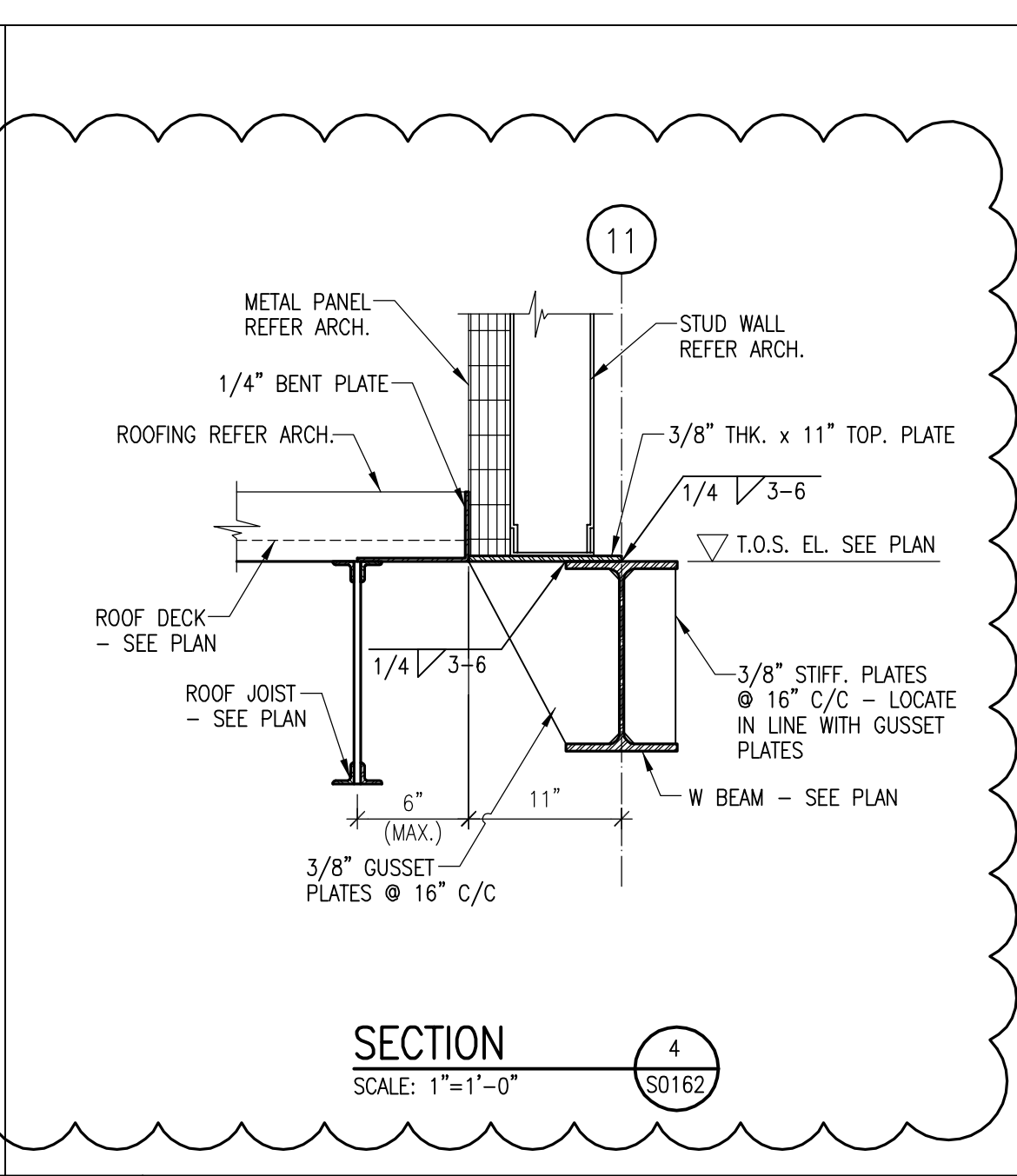
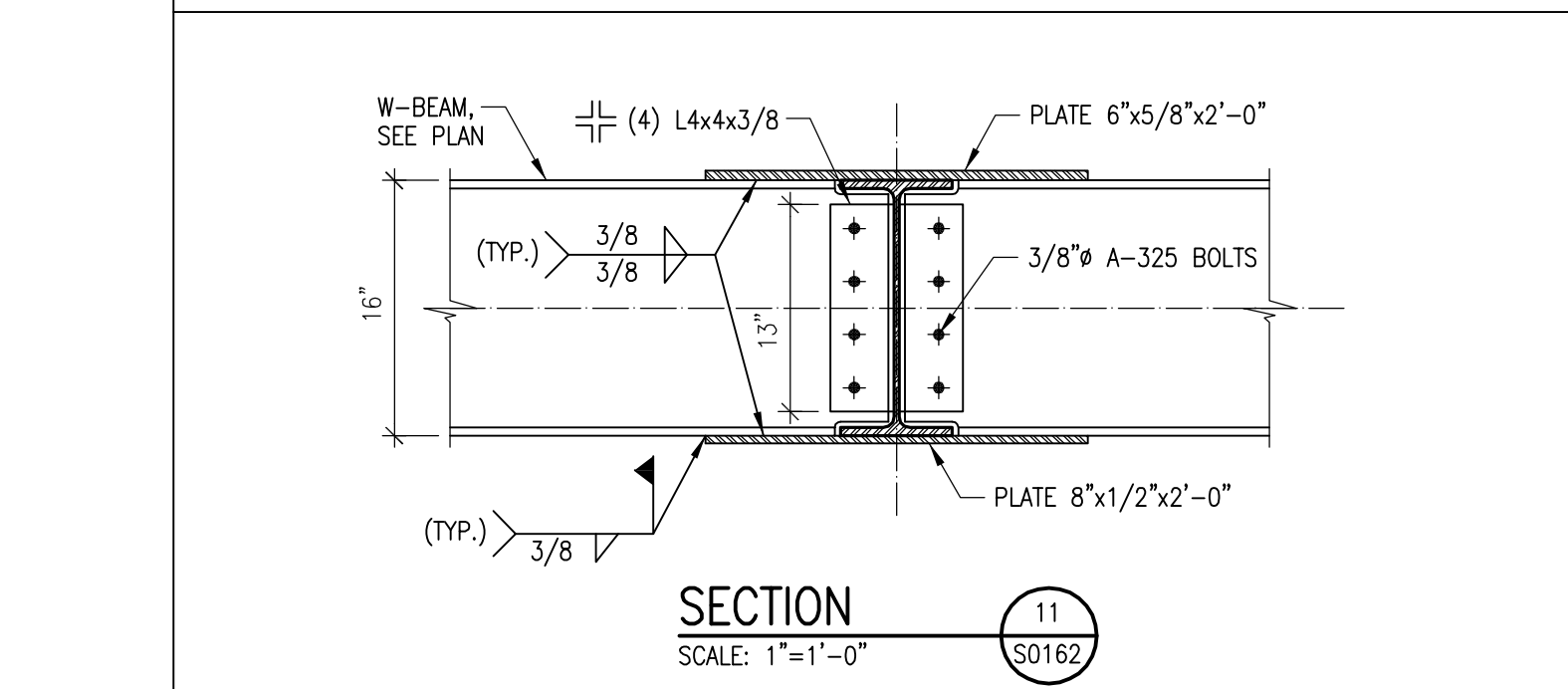
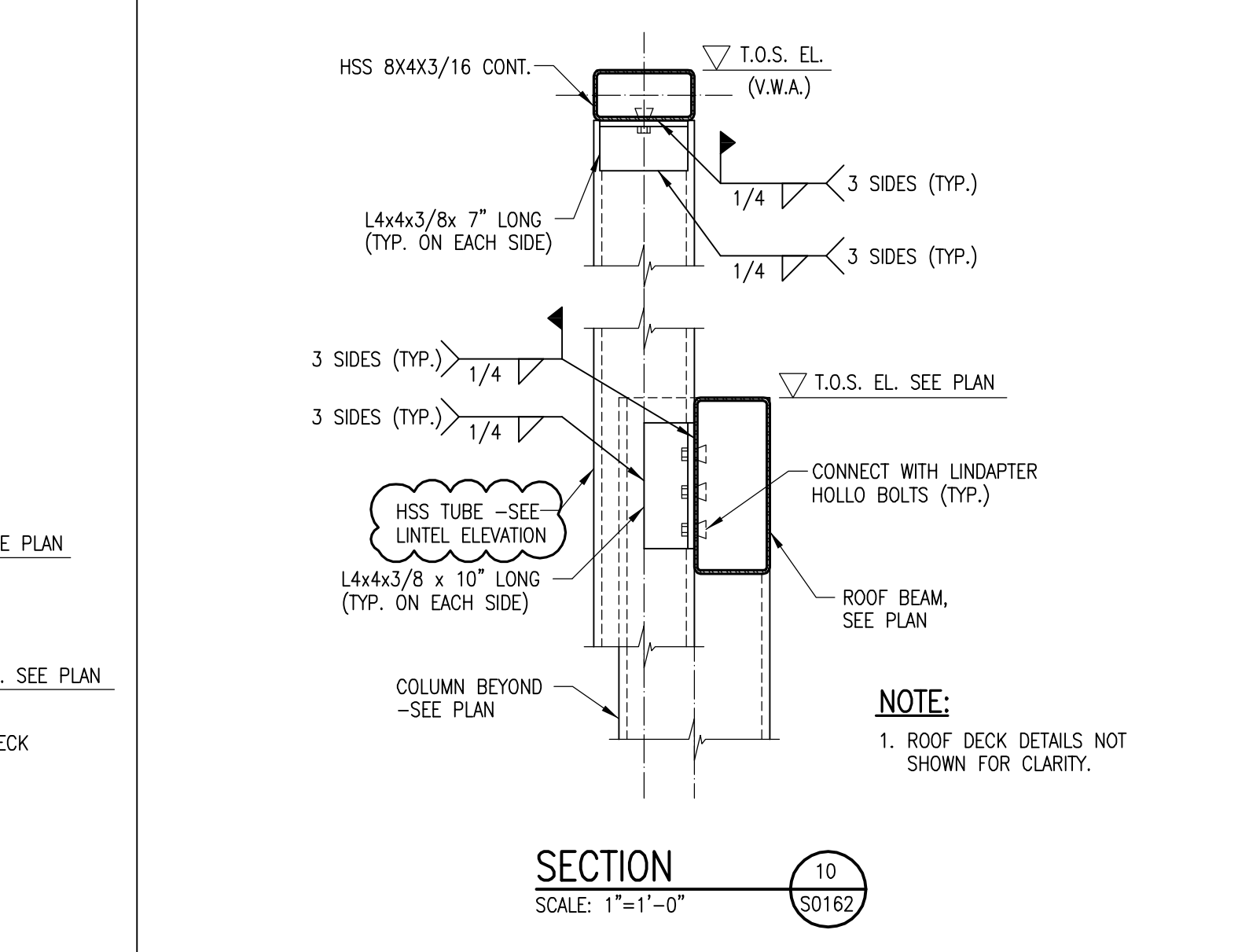
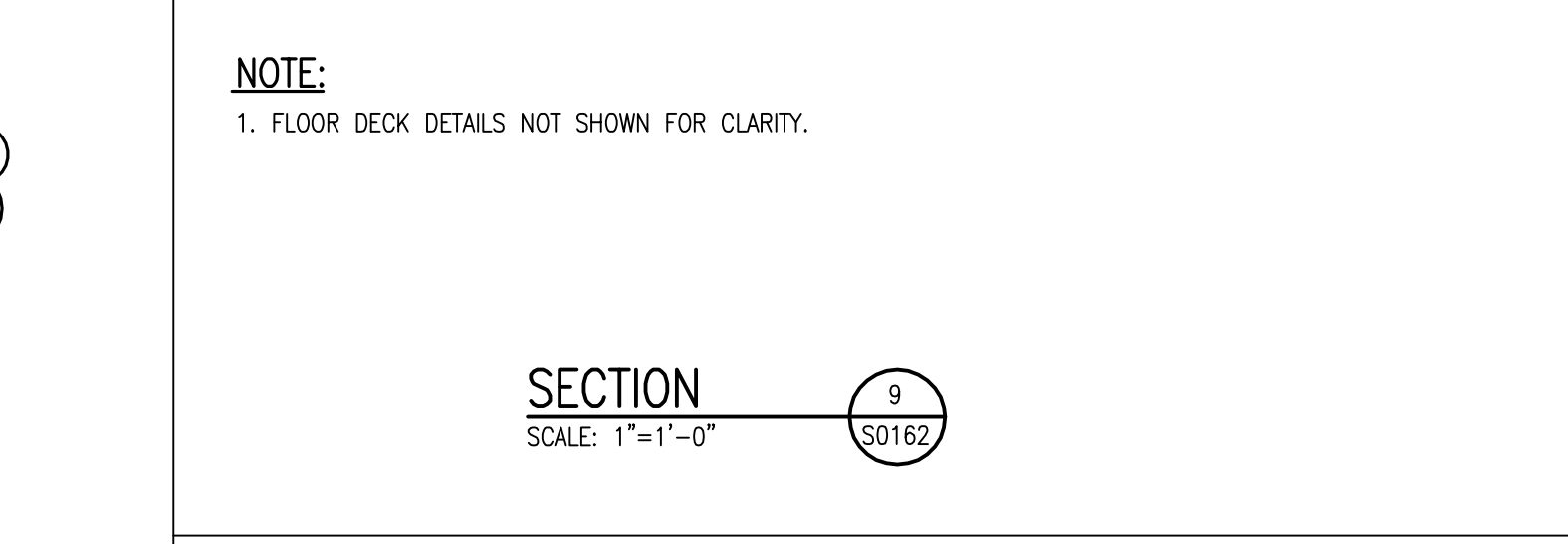
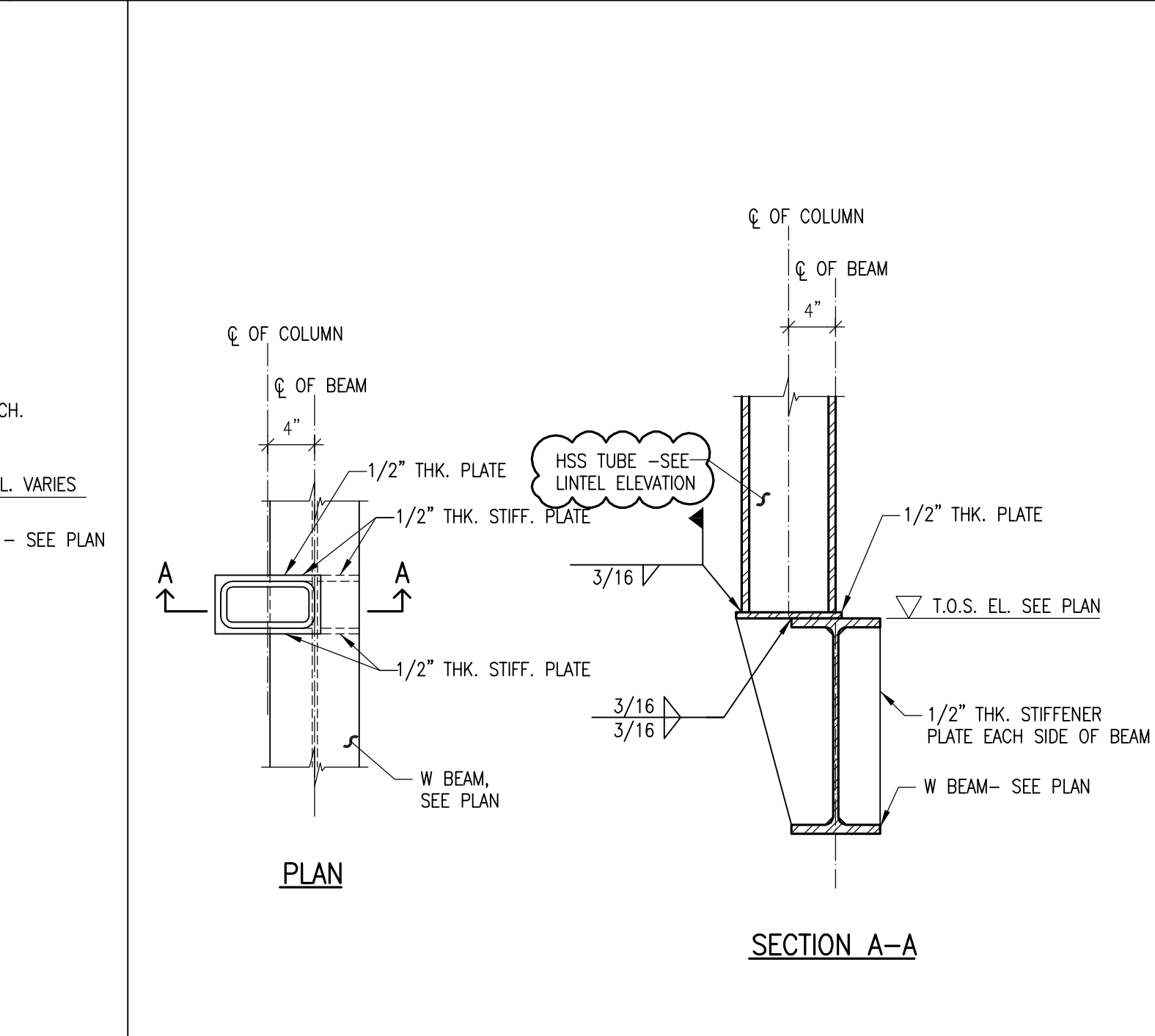
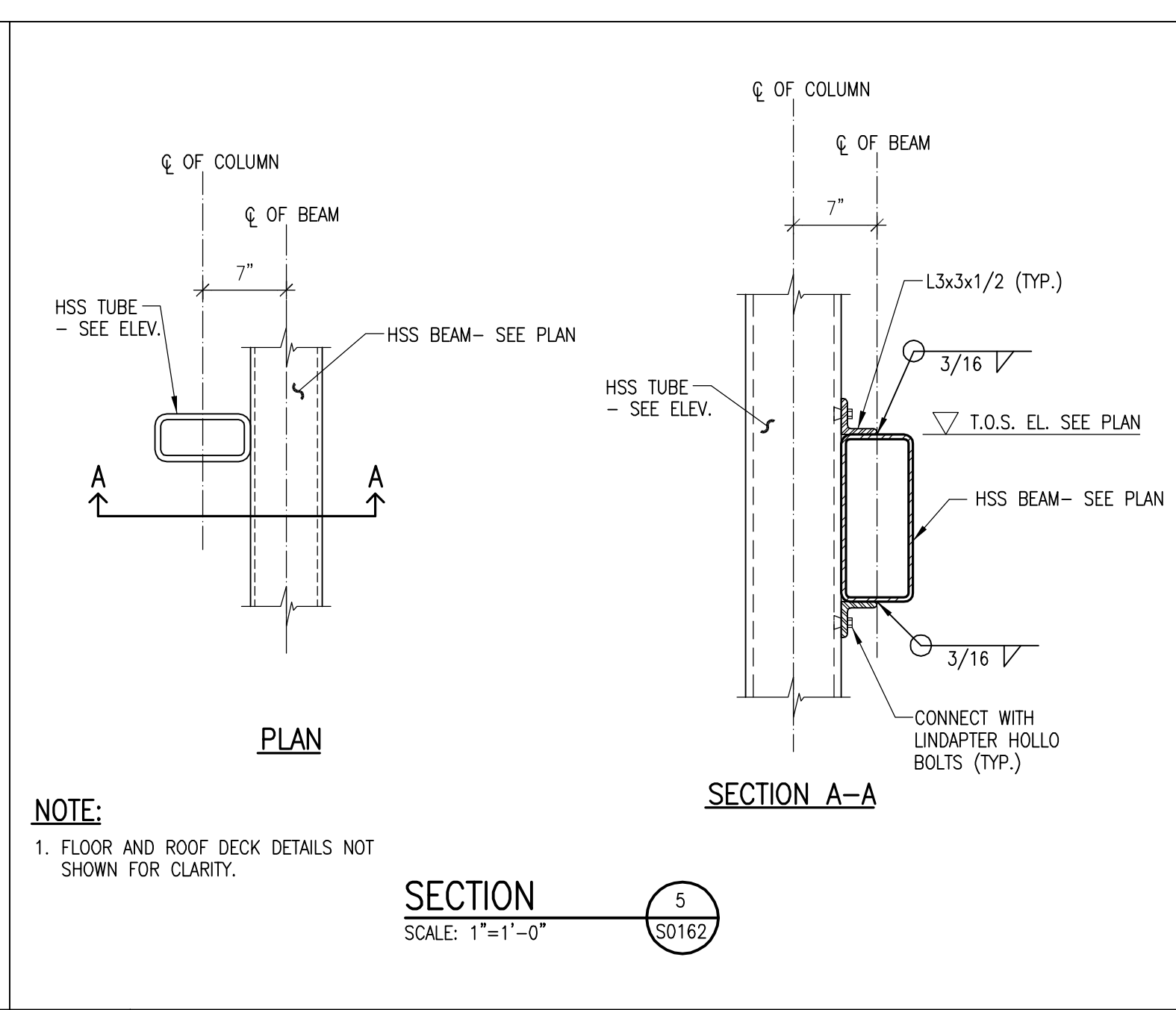
**CANNONDESIGN**

**UNIVERSITY OF LOUISVILLE**

**RANGASWAMY AND ASSOC., INC.**  
 Suite 420, The Landmark Building  
 1000 S. Third Street, Louisville, KY 40202  
 Phone: (502) 582-2212  
 Fax: (502) 582-2240  
 www.rangaswamy.com

SECTIONS AND DETAILS	
Drawing Name:	SECTIONS AND DETAILS
U of L Project Number:	Omni - 1105.00 Cannon - 08687.00
Project Number:	March 02, 2012
Date:	Checked By: ANTHONY
Drawn By:	VPP

**S0162**



**NOTE:**  
 1. JOGGING TRACK FRAMING NOT SHOWN FOR CLARITY.

**NOTE:**  
 1. FLOOR AND ROOF DECK DETAILS NOT SHOWN FOR CLARITY.

**NOTE:**  
 1. FLOOR DECK DETAILS NOT SHOWN FOR CLARITY.

**NOTE:**  
 1. ROOF DECK DETAILS NOT SHOWN FOR CLARITY.

**NOTE:**  
 1. LOW ROOF FRAMING NOT SHOWN FOR CLARITY. SEE PLAN.

**DISCLAIMER NOTE:**  
 THIS SET OF CONSTRUCTION DRAWINGS HAS BEEN UPDATED TO INCLUDE ANY CHANGES ISSUED THROUGH ADDENDUM OR OTHER MEANS. EVERY EFFORT HAS BEEN TAKEN TO INCLUDE ALL CHANGES TO DATE. THE CONTRACTOR IS STILL RESPONSIBLE FOR PROVIDING ANY ITEMS THAT WERE SHOWN AS PART OF THE ORIGINAL BID SET THAT MAY HAVE BEEN OVERLOOKED AND NOT INCLUDED IN THIS SET.

© Cannon Design 2010. All rights reserved. This document may be reproduced or utilized in any form, without prior written authorization by The Cannon Corporation.