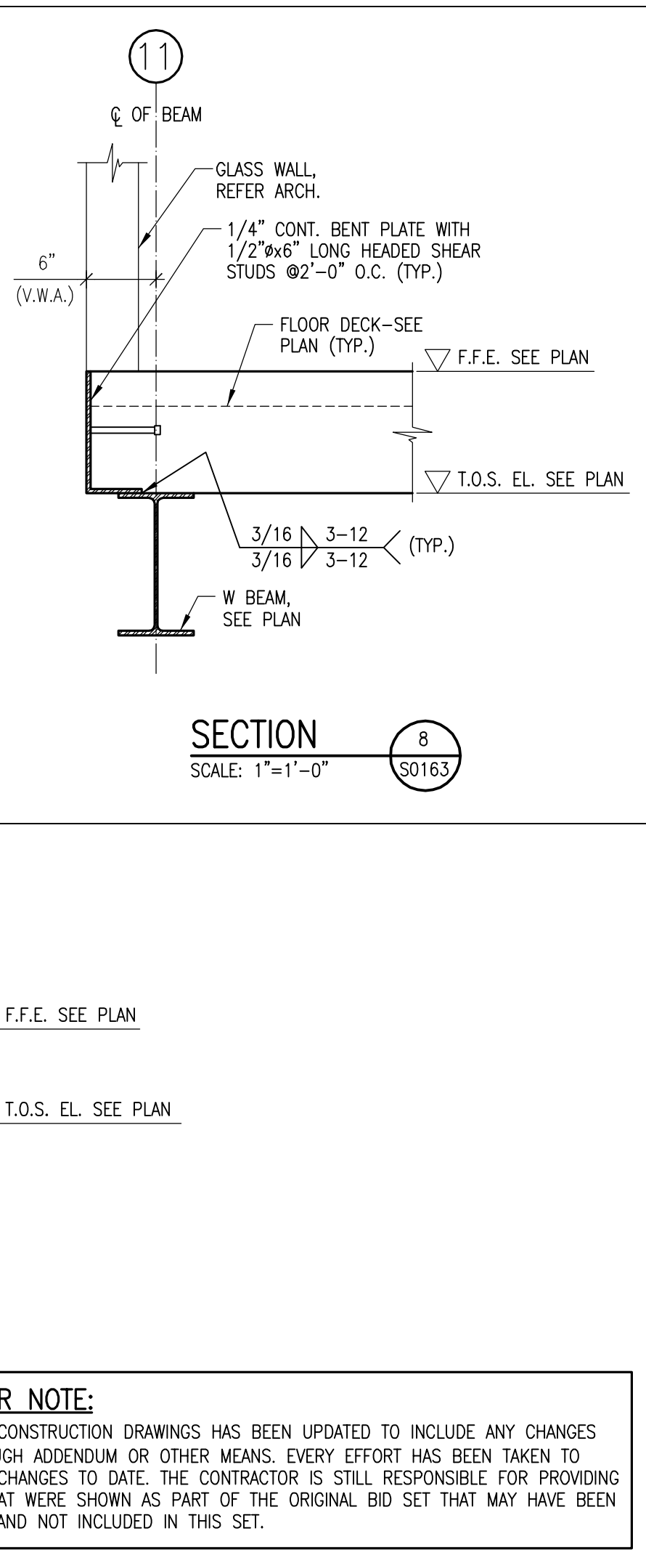
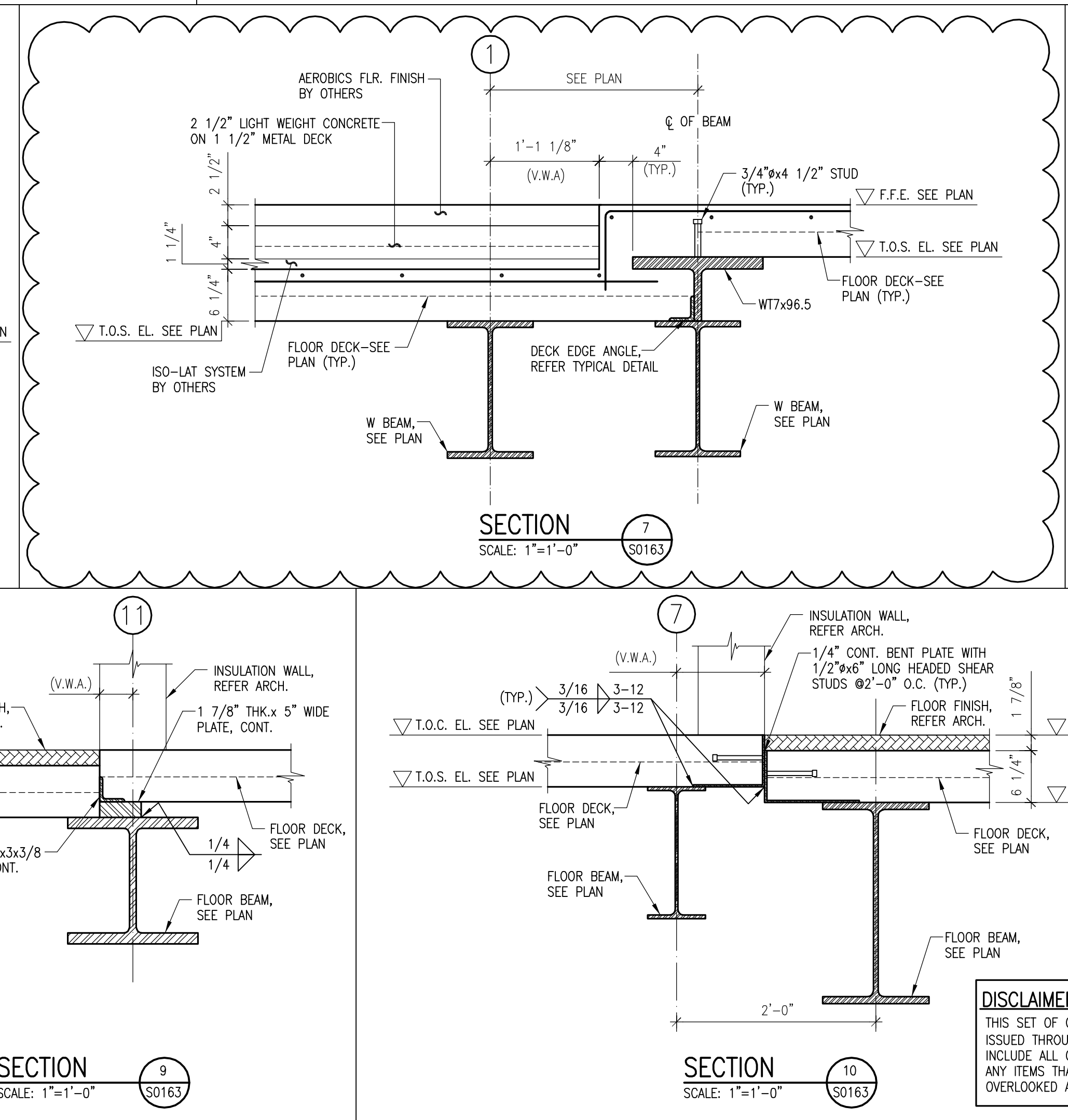
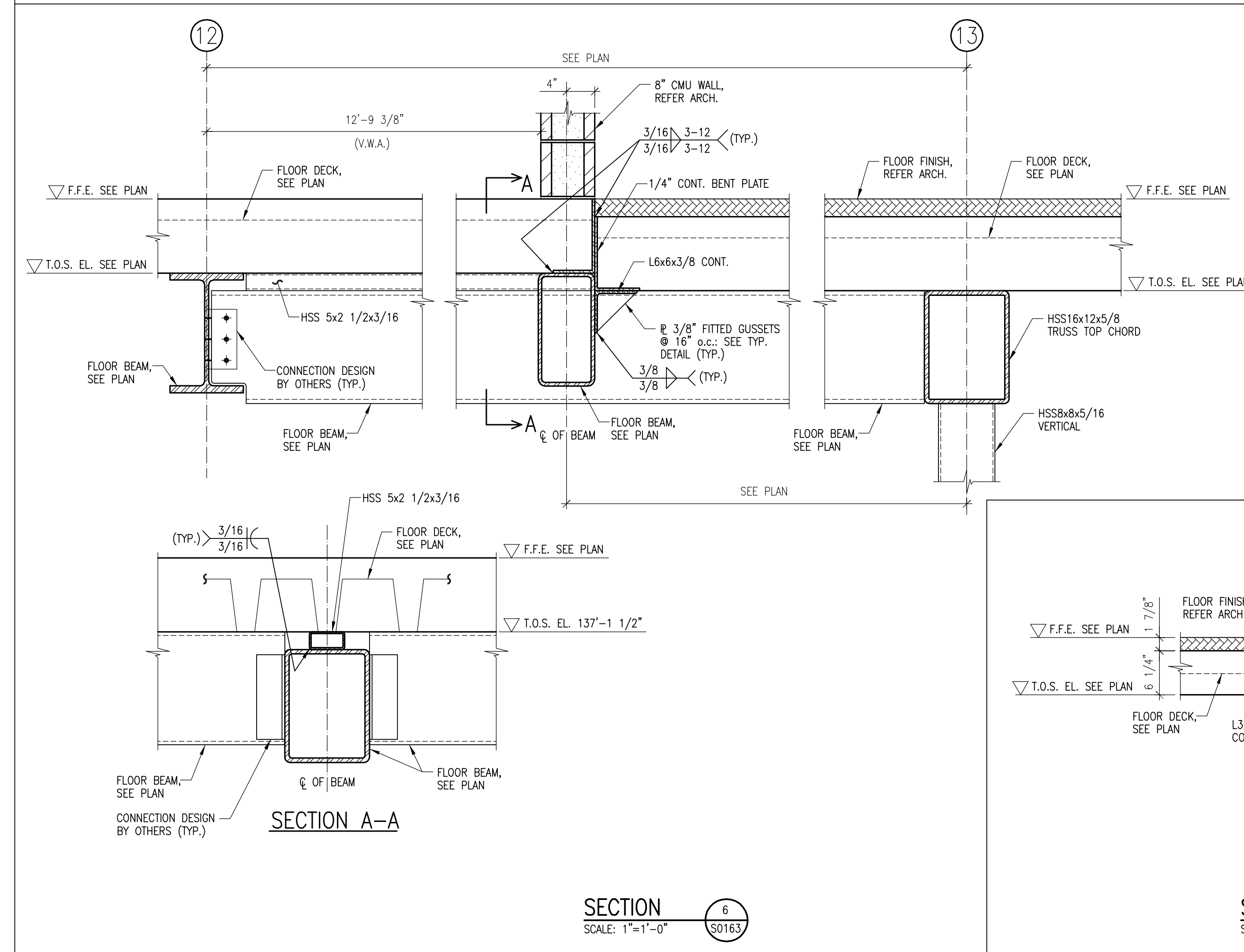
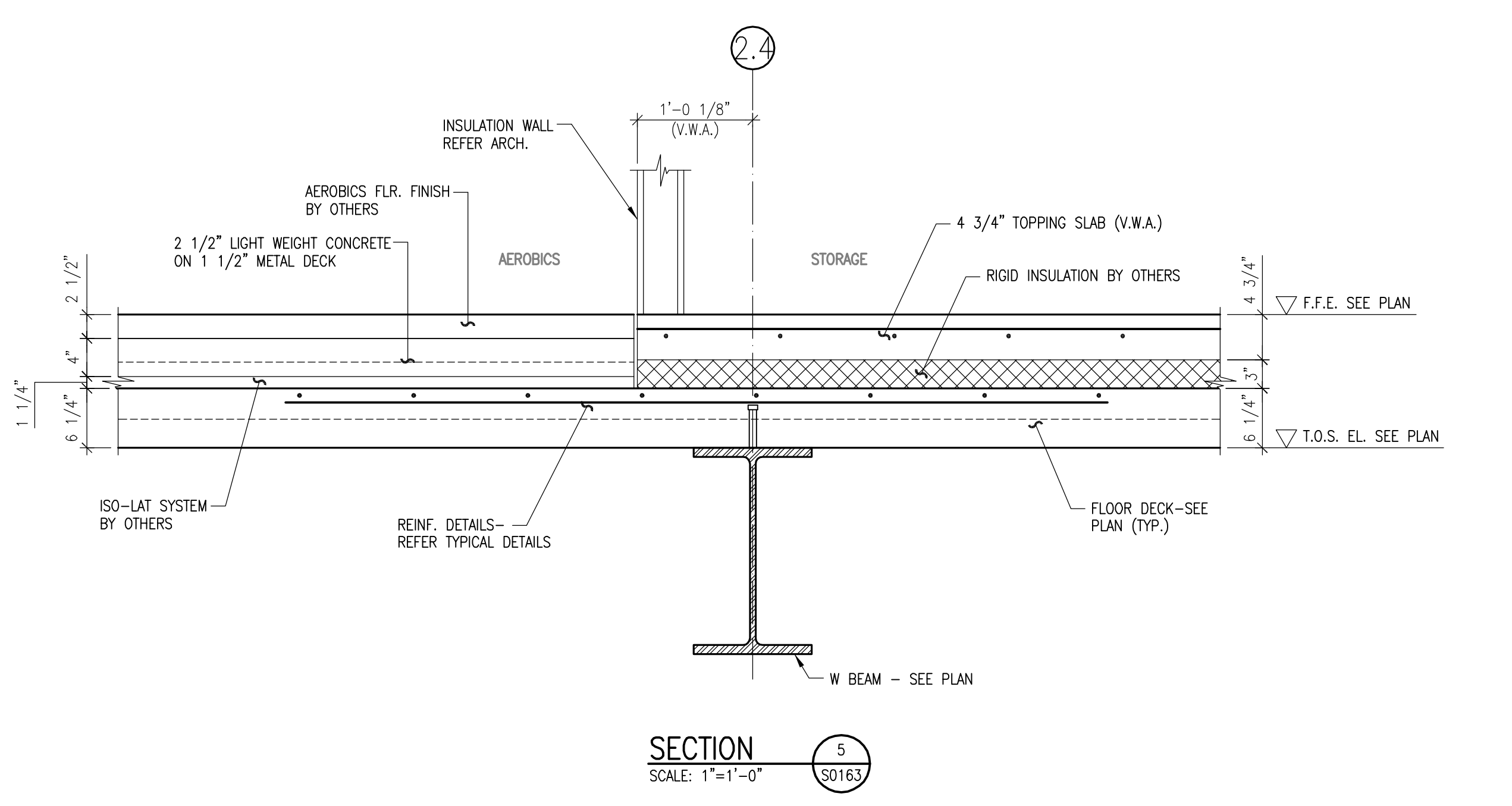
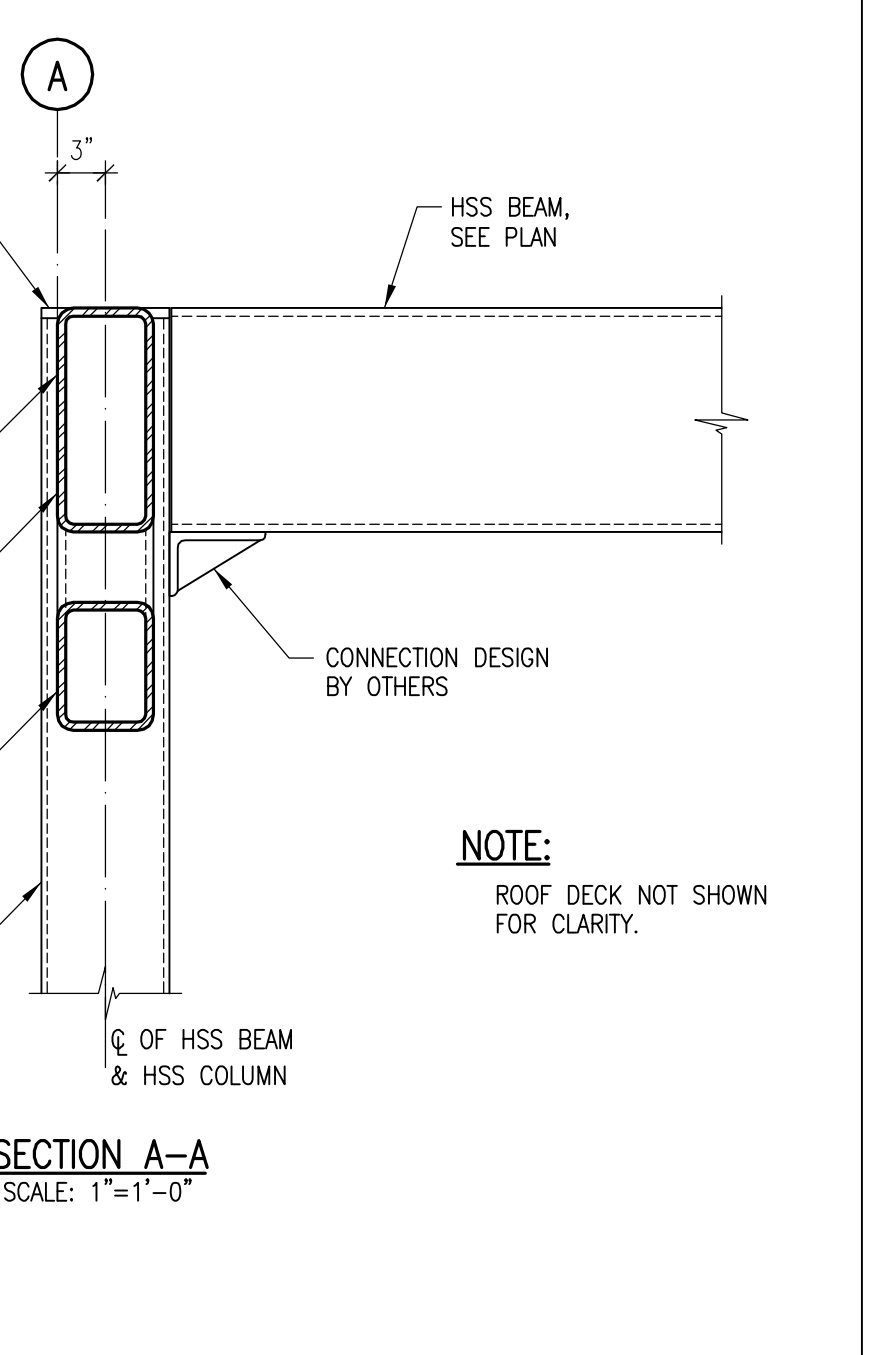
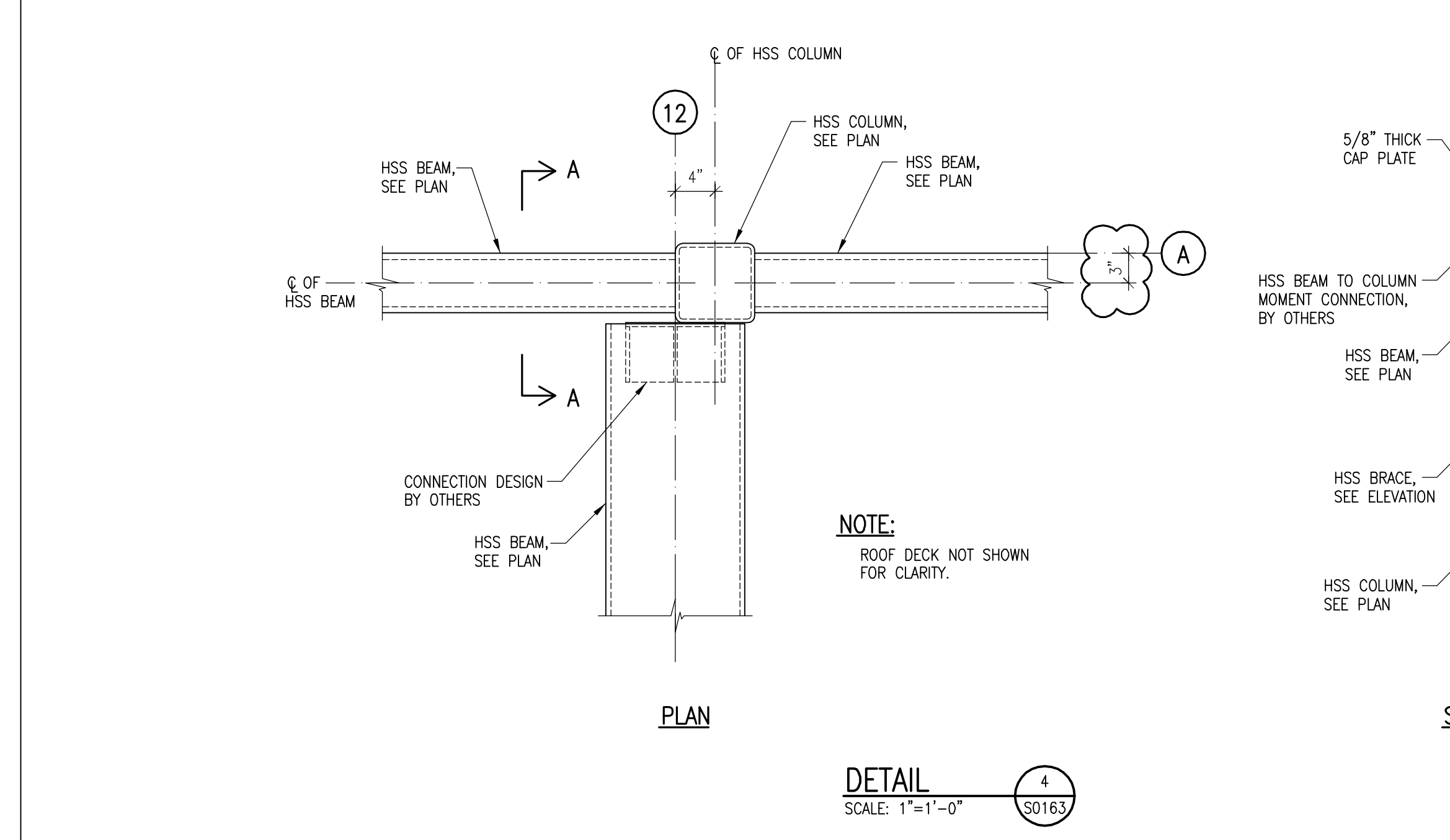
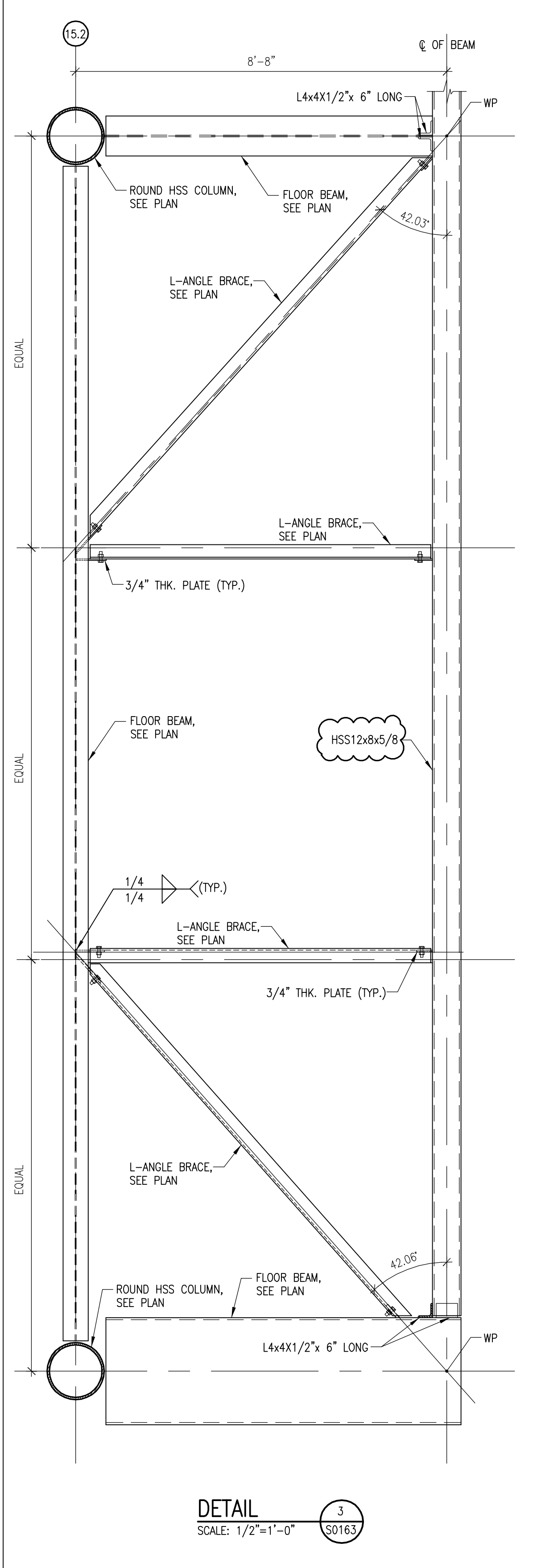
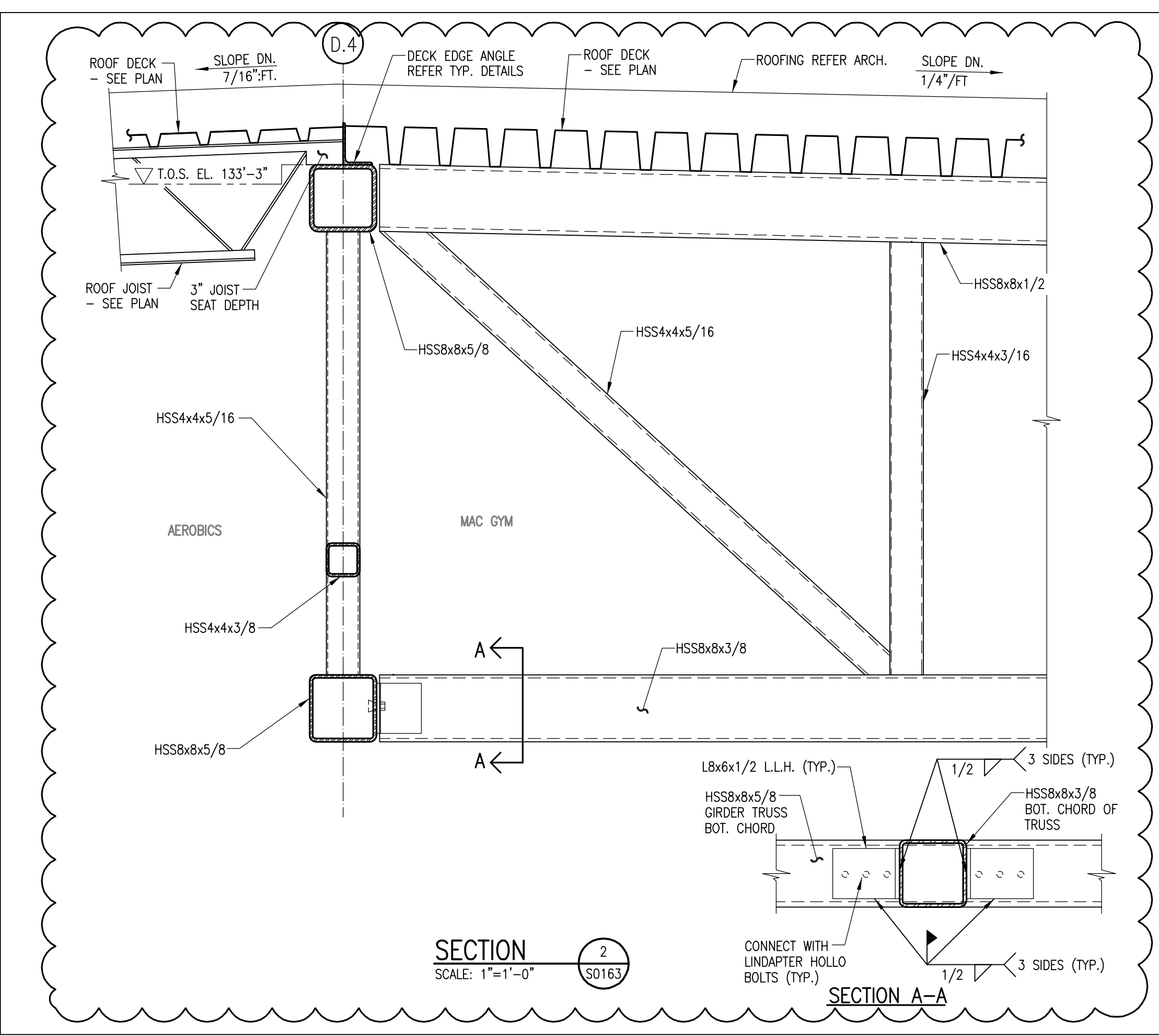
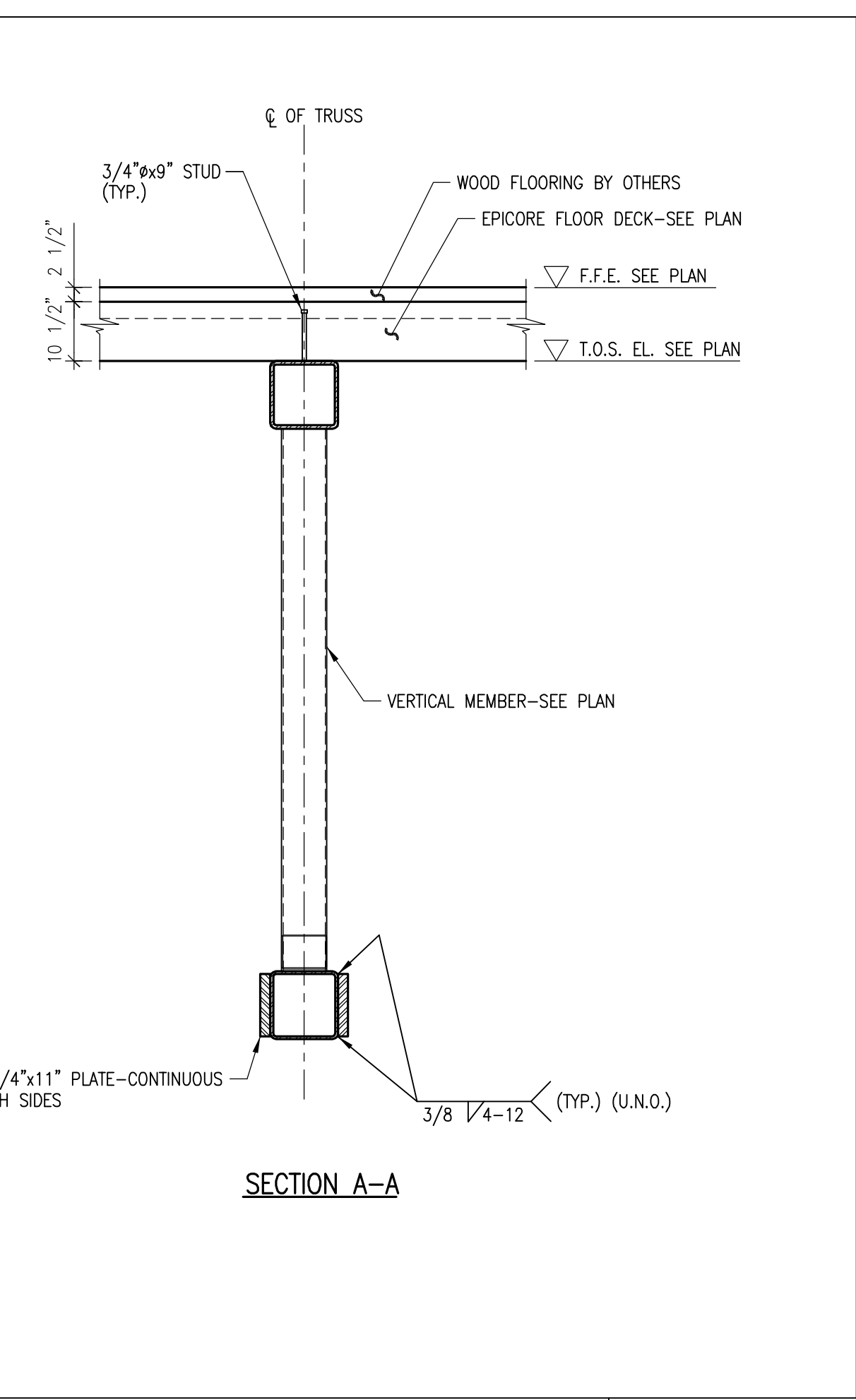
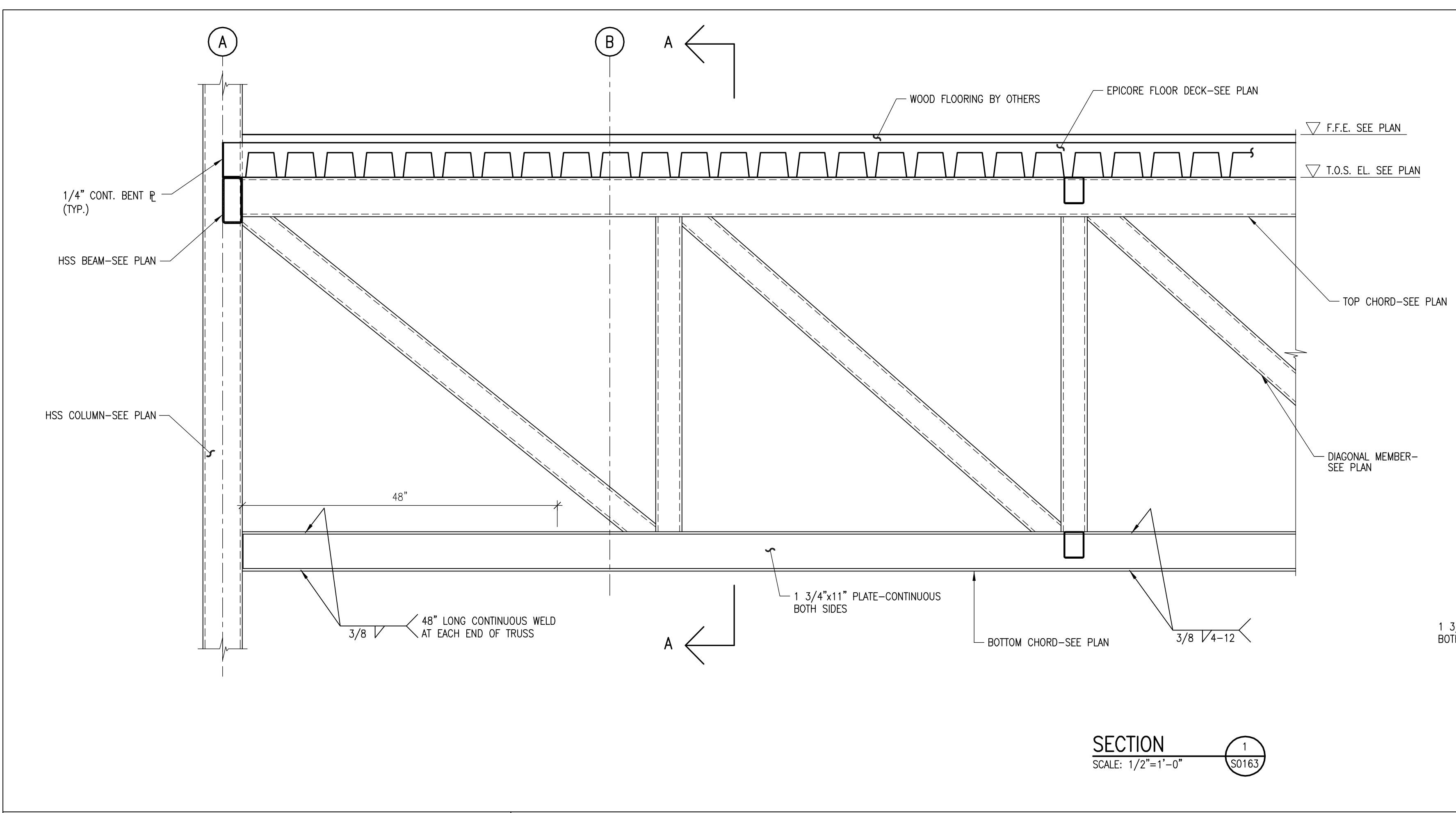


 212 North Upper Street Lexington, Kentucky 40507-1001 P 859.252.6664 F 859.253.2358 www.omniarchitects.com			
Drawing Name: SECTIONS AND DETAILS		Revision Date	
U of L Project Number: Omni - 1105.00 Cannon - 08687.00		#	
Project Number: Omni - 1105.00 Cannon - 08687.00		U of L Project Number:	
Date: March 02, 2012		Project Number:	
Drawn By: VPP		Checked By: ANTHONY	

**S0163**



**DISCLAIMER NOTE:**  
THIS SET OF CONSTRUCTION DRAWINGS HAS BEEN UPDATED TO INCLUDE ANY CHANGES ISSUED THROUGH ADDENDUM OR OTHER MEANS. EVERY EFFORT HAS BEEN TAKEN TO INCLUDE ALL CHANGES TO DATE. THE CONTRACTOR IS STILL RESPONSIBLE FOR PROVIDING ANY ITEMS THAT WERE SHOWN AS PART OF THE ORIGINAL BID SET THAT MAY HAVE BEEN OVERLOOKED AND NOT INCLUDED IN THIS SET.

© Cannon Design 2010. All rights reserved. This document may be reproduced or utilized in any form, without prior written authorization by The Cannon Corporation.