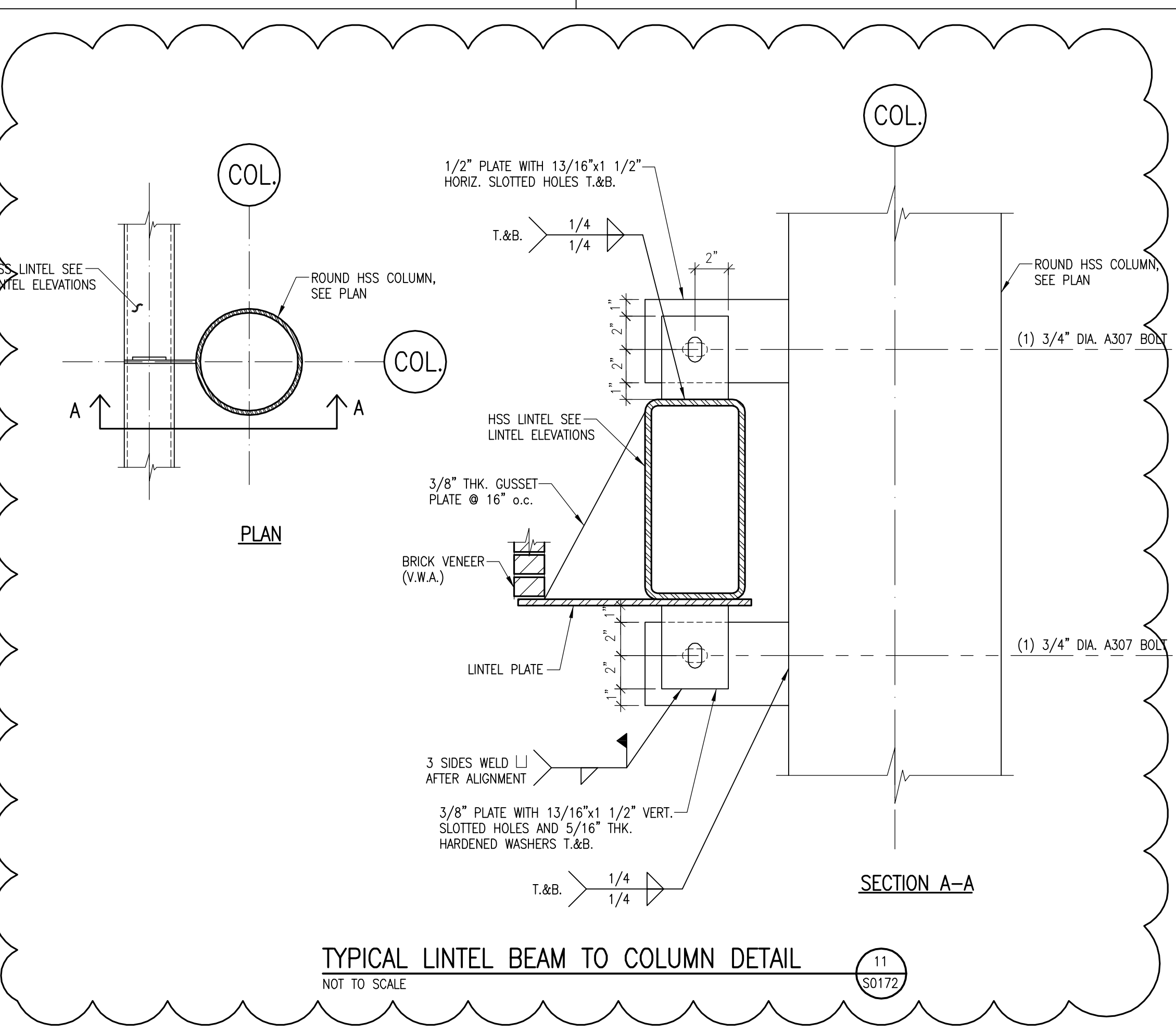
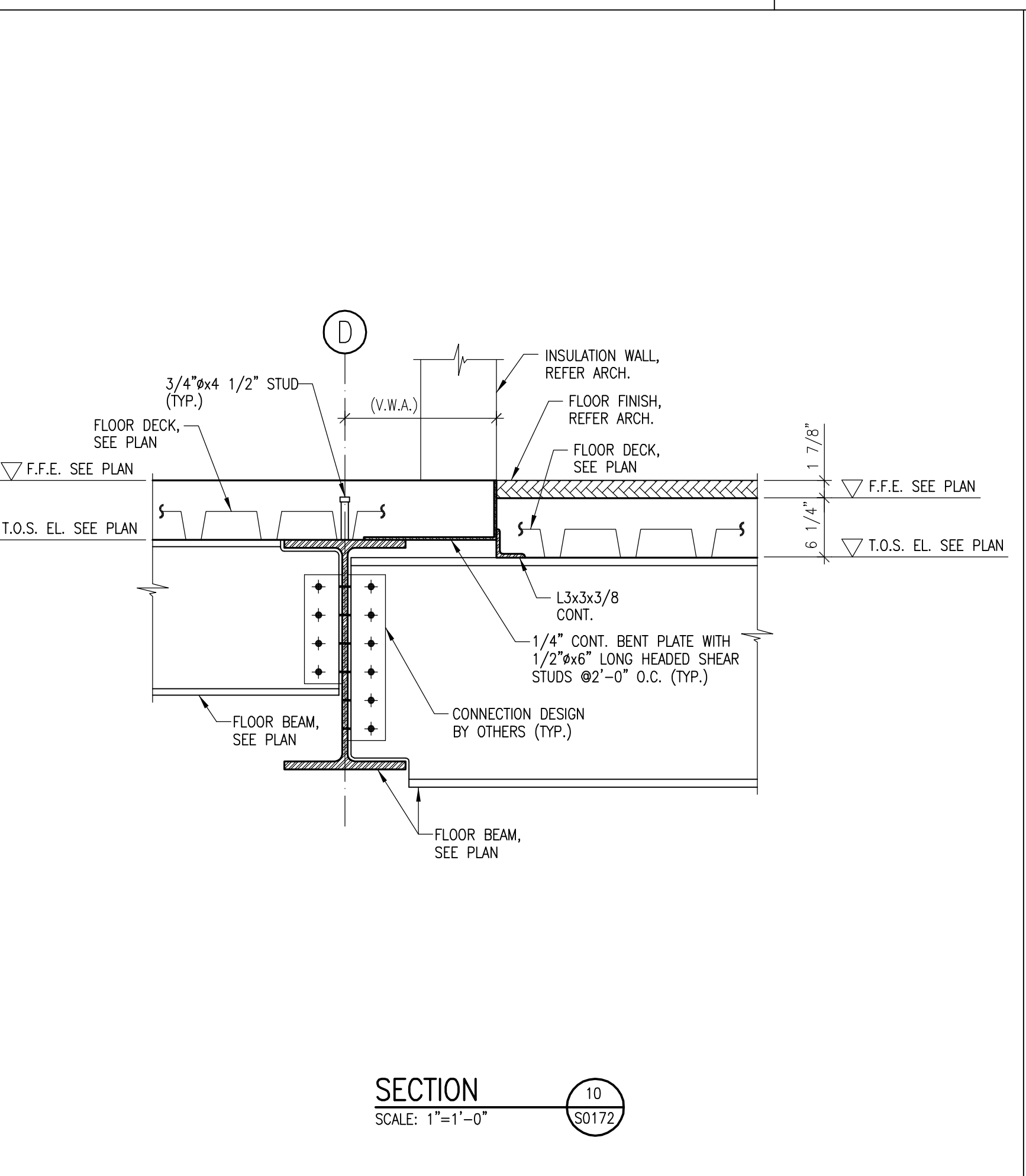
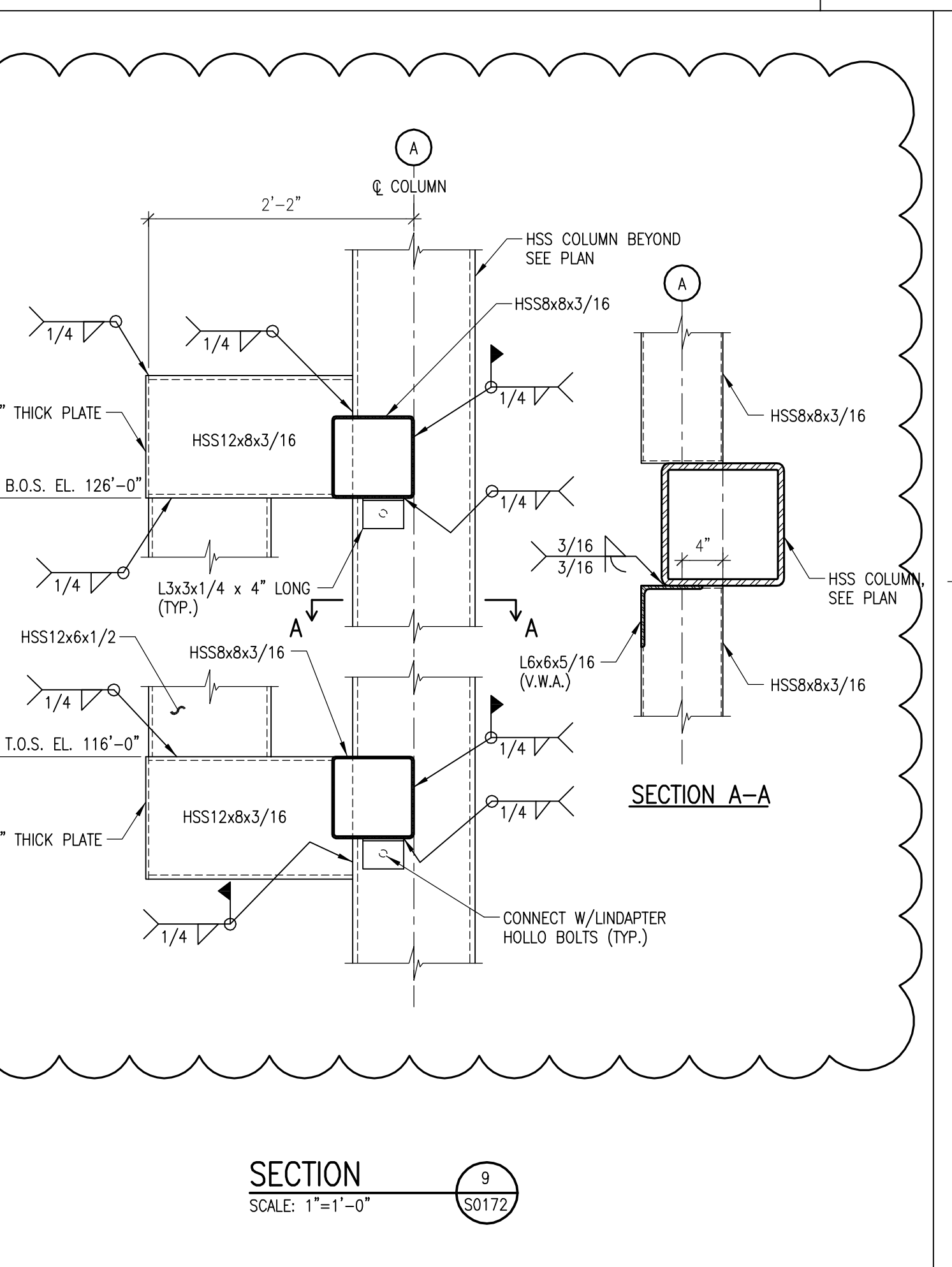
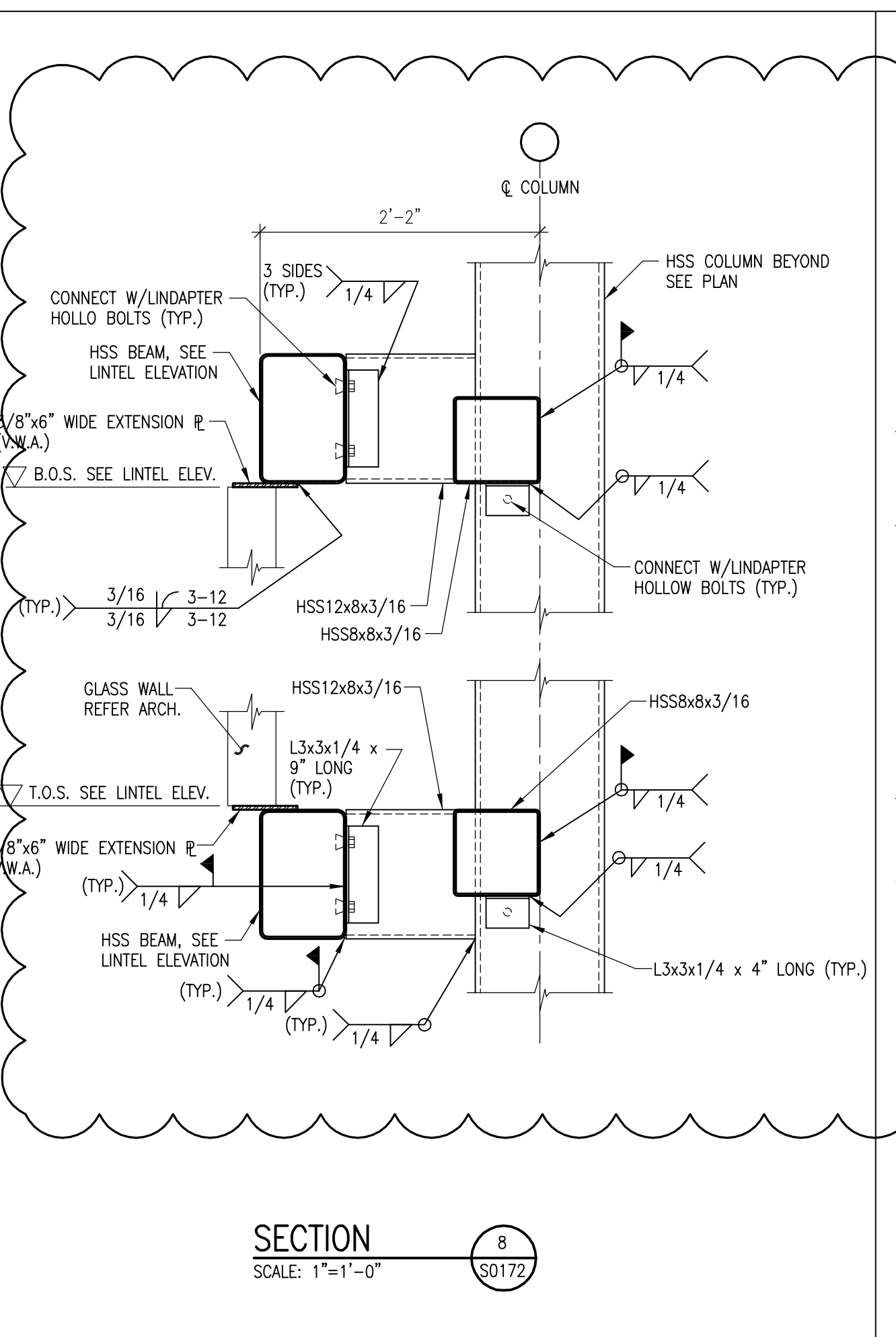
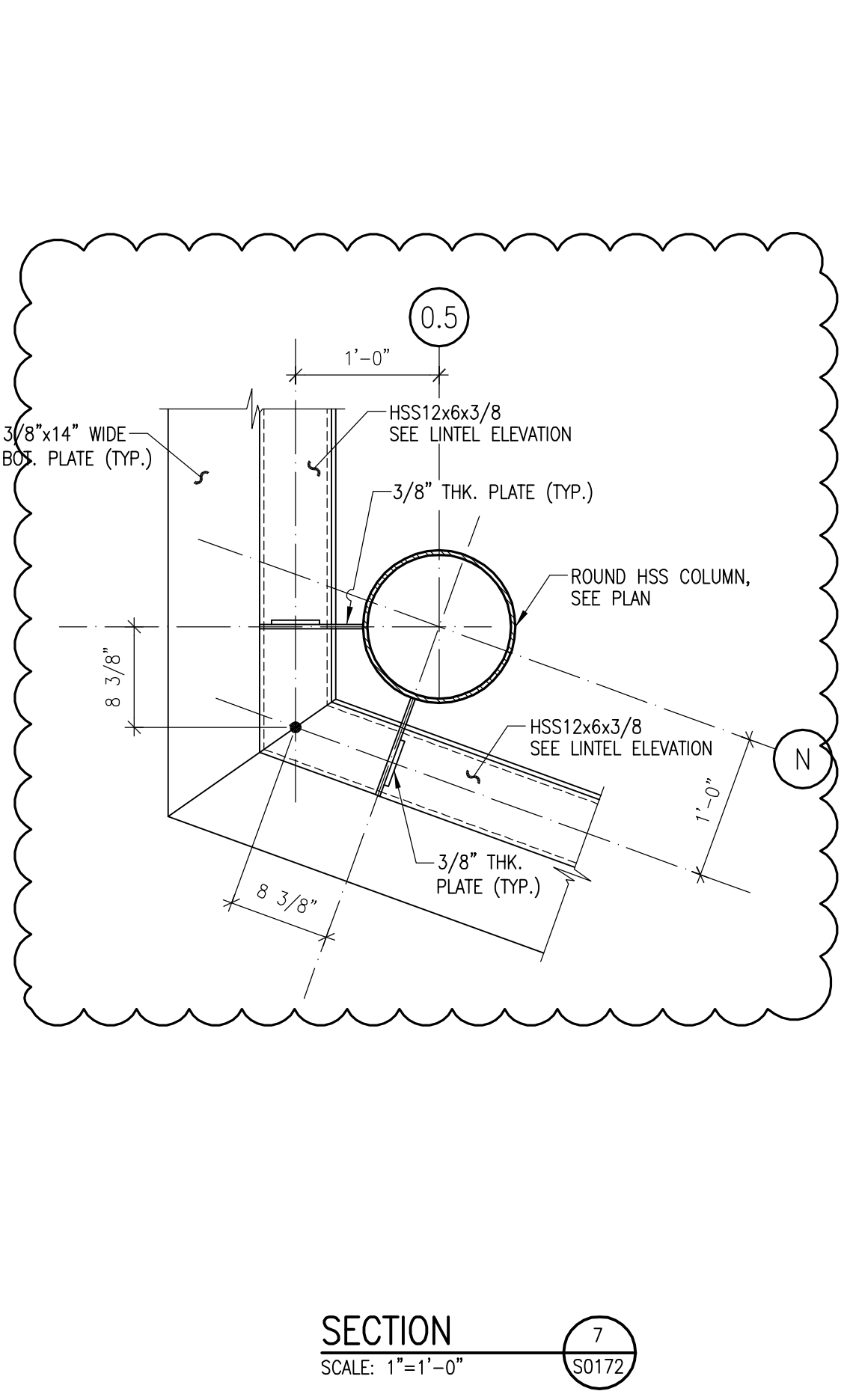
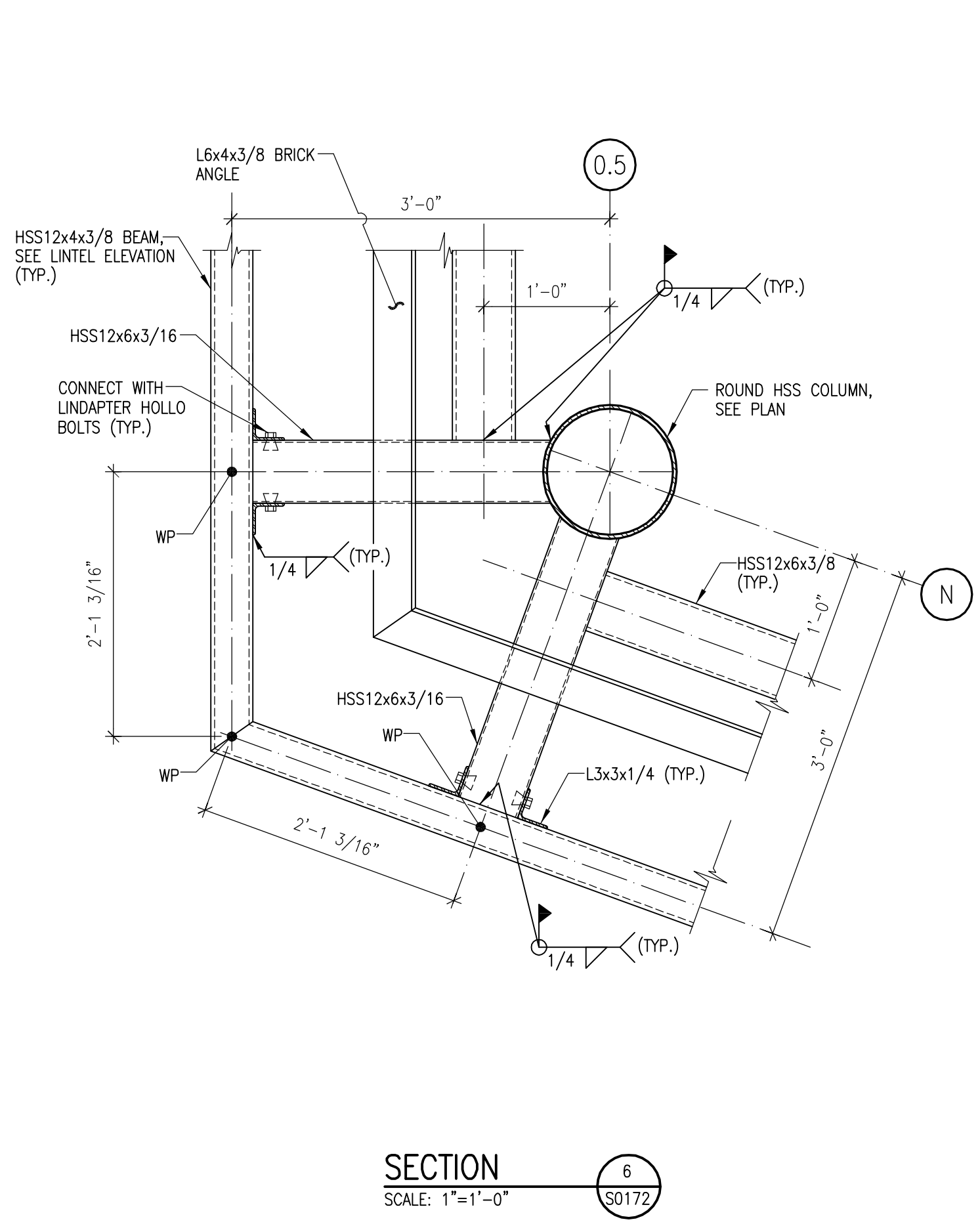
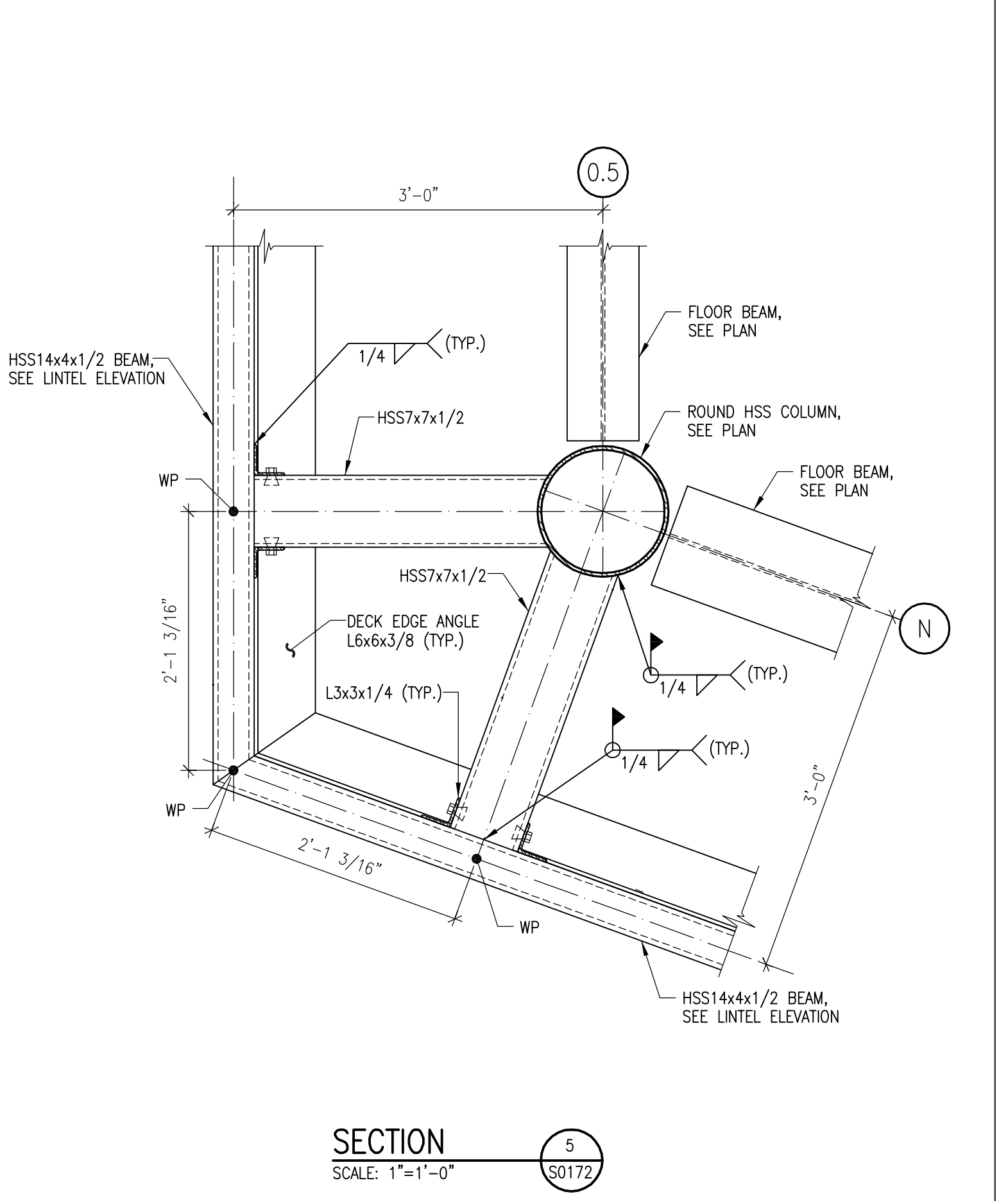
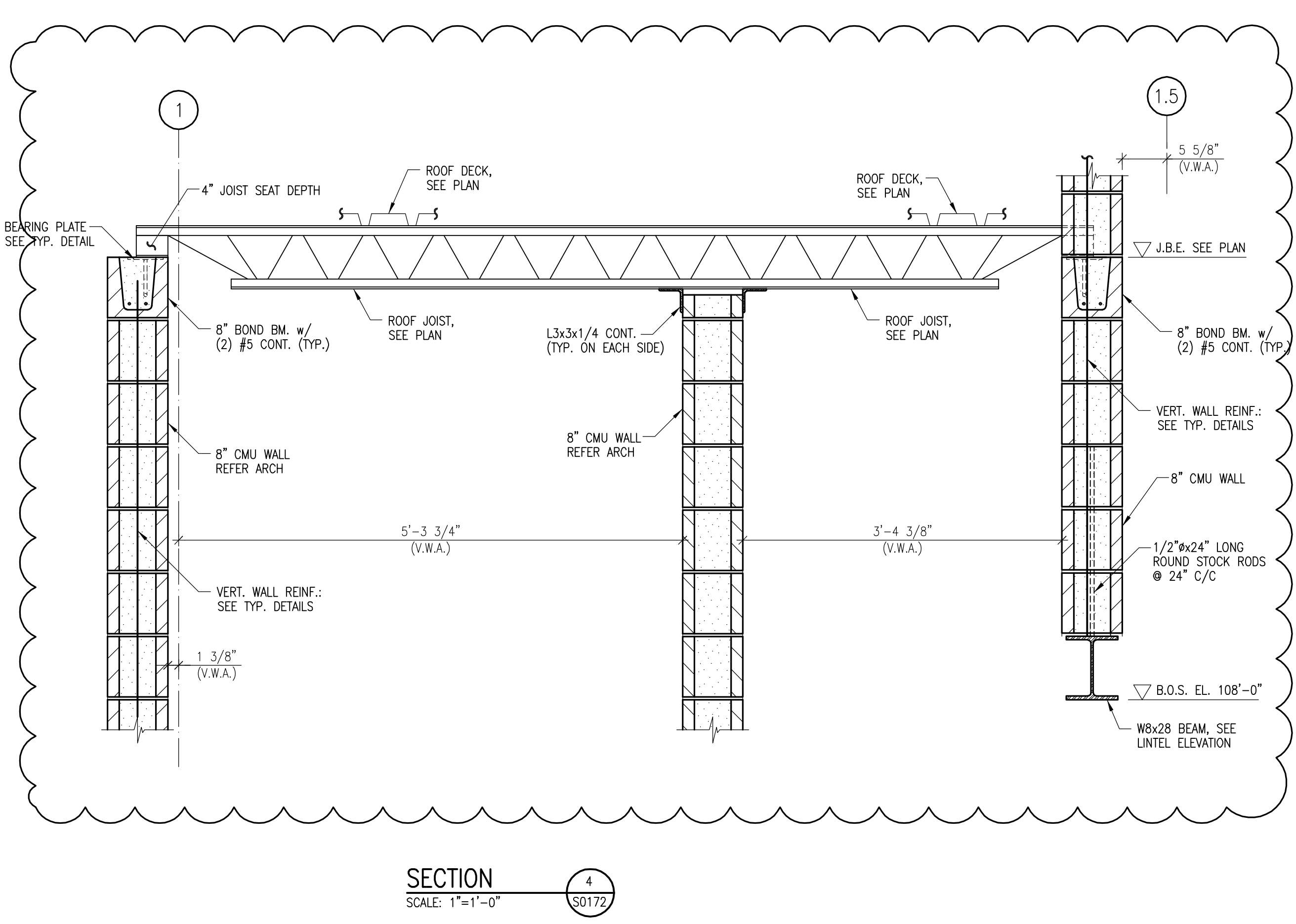
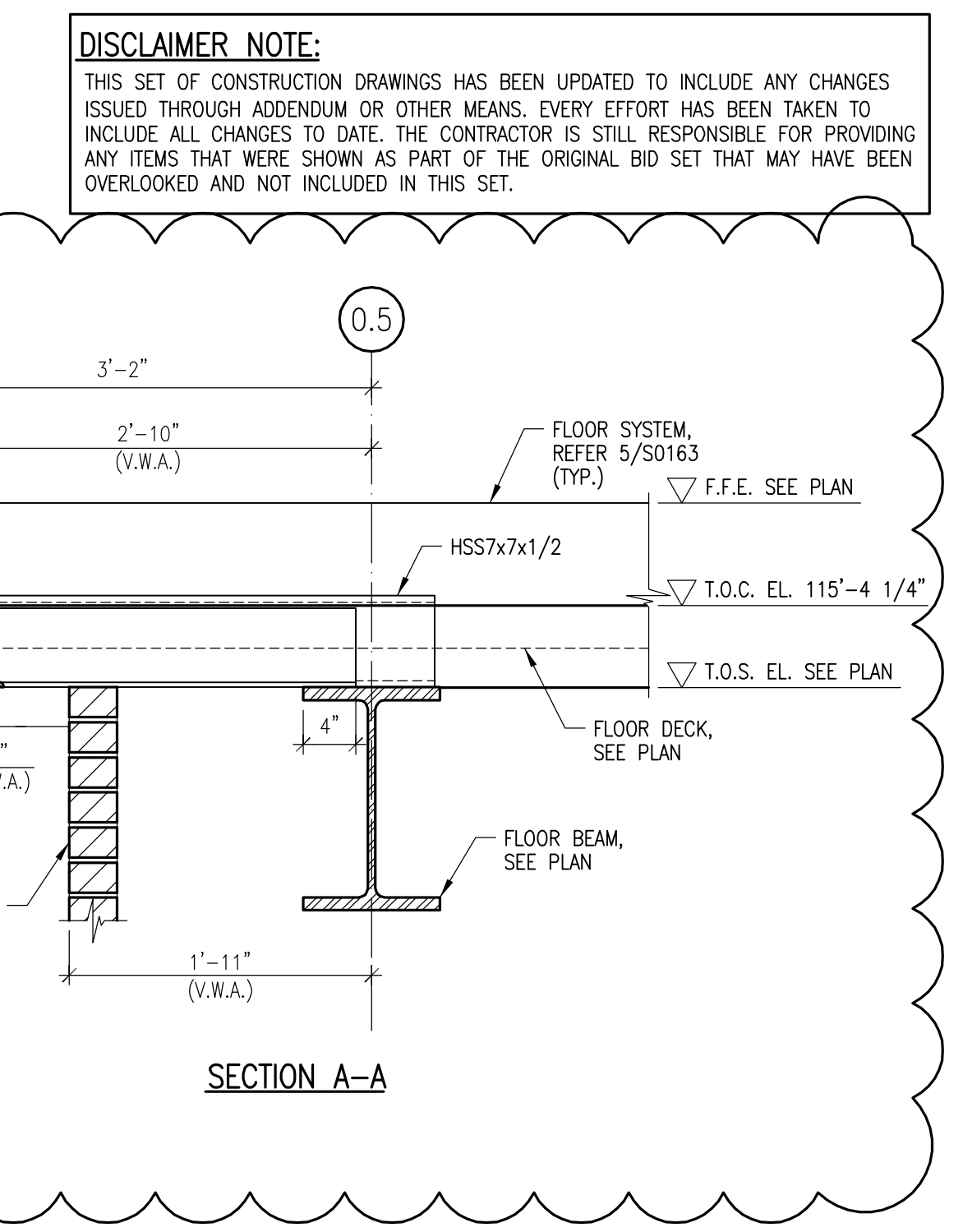
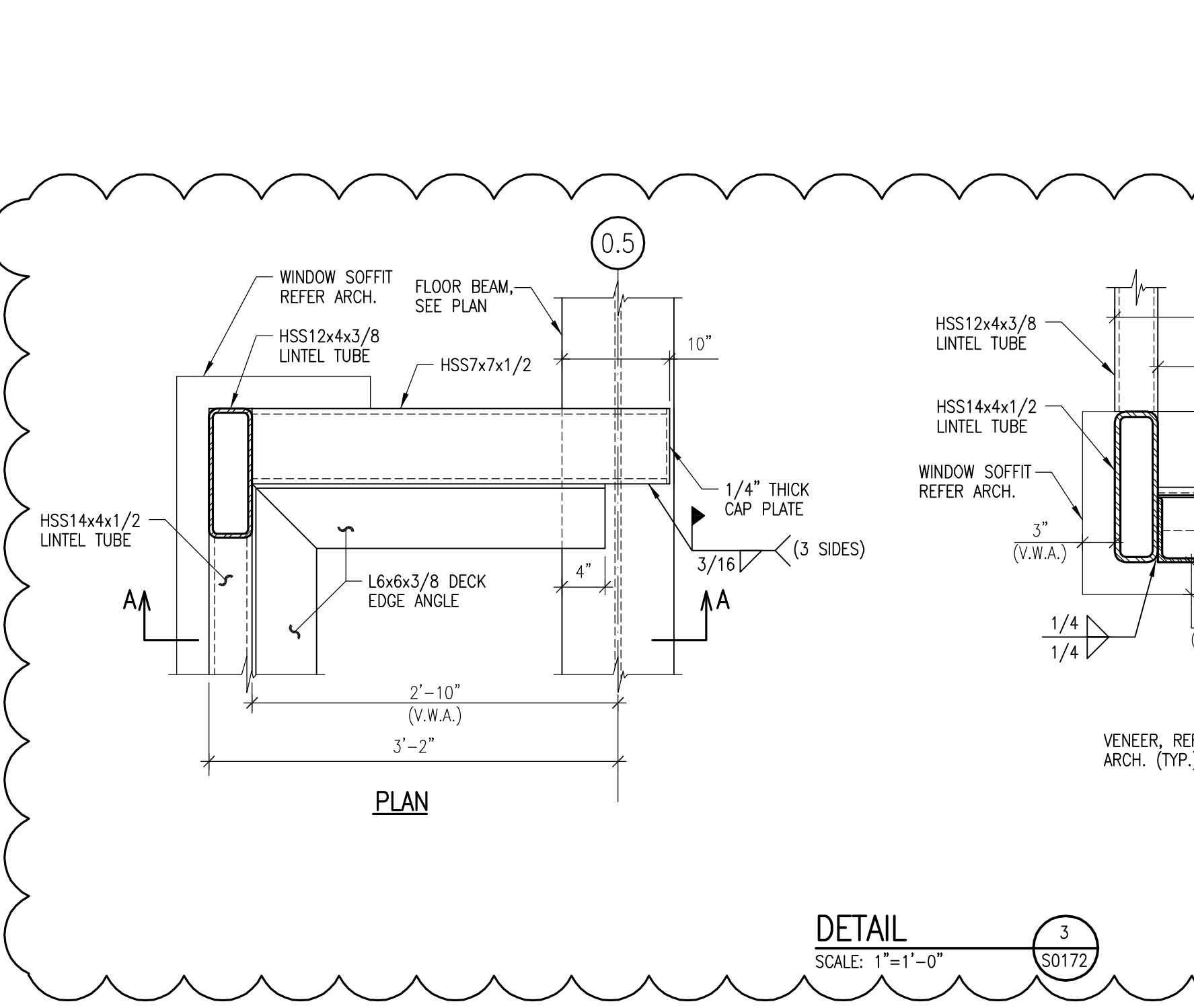
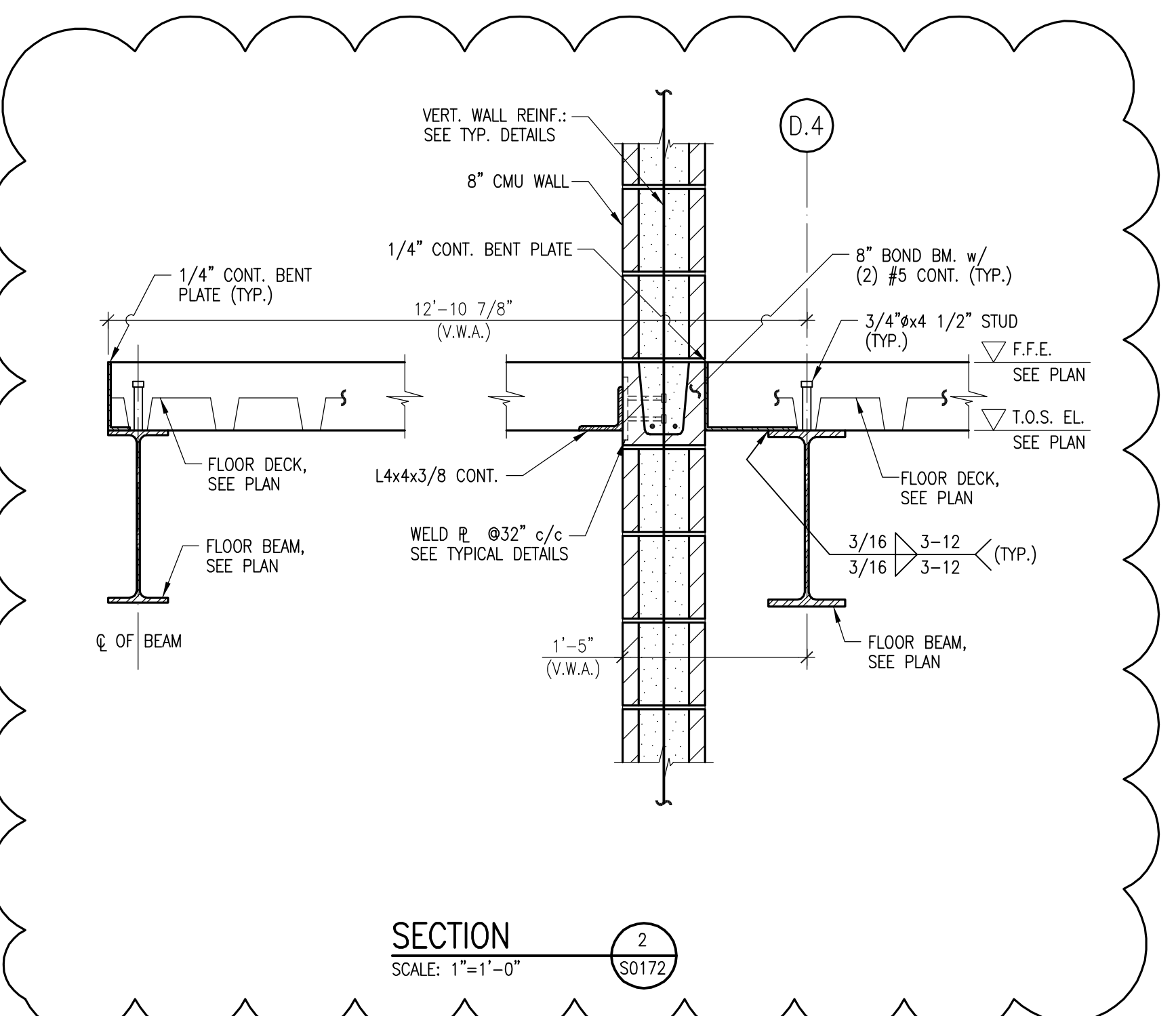
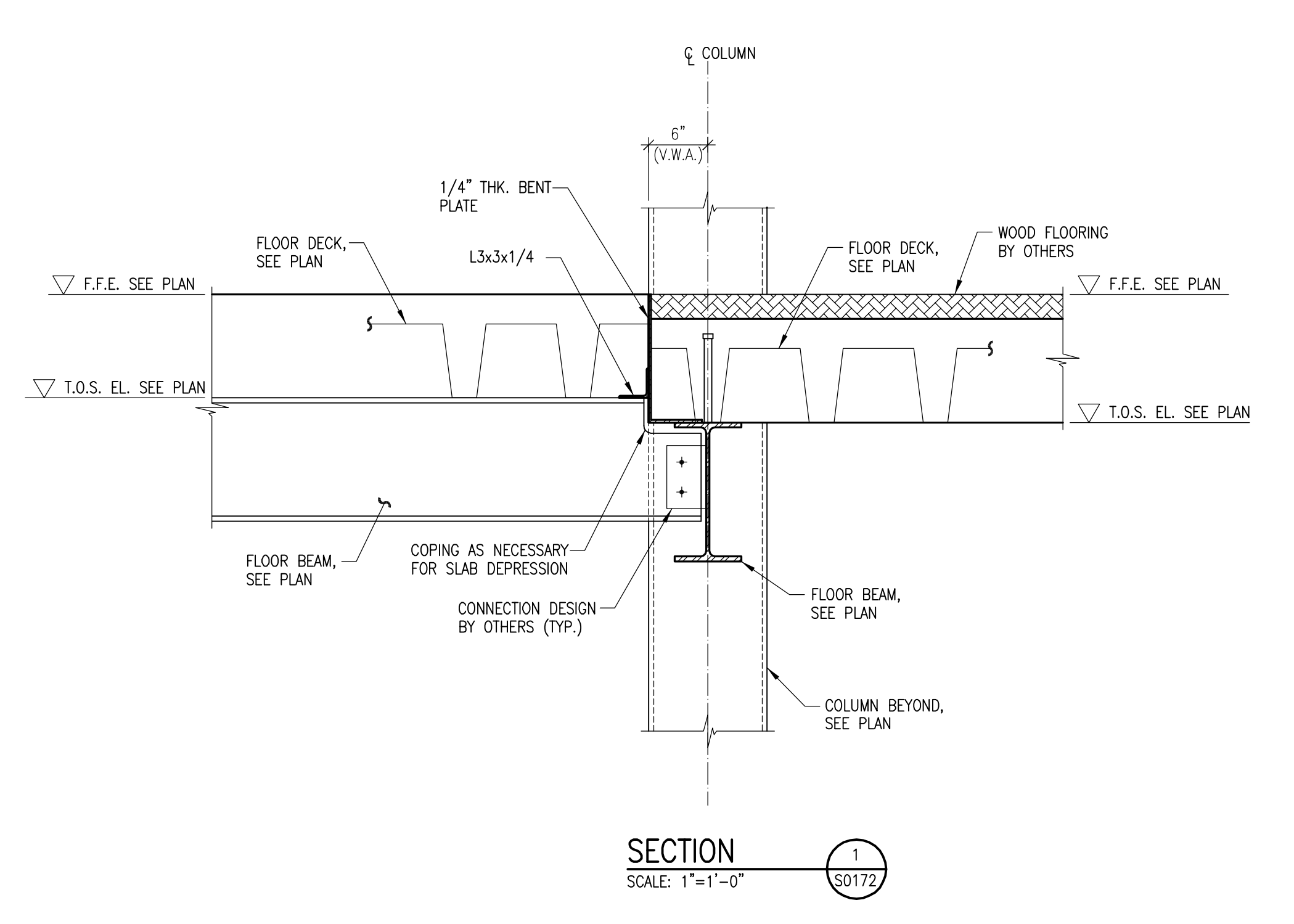


DISCLAIMER NOTE:
 THIS SET OF CONSTRUCTION DRAWINGS HAS BEEN UPDATED TO INCLUDE ANY CHANGES ISSUED THROUGH ADDENDUM OR OTHER MEANS. EVERY EFFORT HAS BEEN TAKEN TO INCLUDE ALL CHANGES TO DATE. THE CONTRACTOR IS STILL RESPONSIBLE FOR PROVIDING ANY ITEMS THAT WERE SHOWN AS PART OF THE ORIGINAL BID SET THAT MAY HAVE BEEN OVERLOOKED AND NOT INCLUDED IN THIS SET.



Omni ARCHITECTS
 212 North Upper Street
 Lexington, Kentucky 40507-1001
 P 859.252.6664 F 859.253.2358
 www.omniarchitects.com

CANNON DESIGN

UNIVERSITY OF LOUISVILLE

Revision Date

#	Revision Date

Drawing Name: SECTIONS AND DETAILS
 U of L Project Number: Omni - 1105.00 Cannon - 03667.00
 Project Number: 1105.00 Cannon - 03667.00
 Date: March 02, 2012
 Drawn By: VPP
 Checked By: ANTHONY

S0172

© Cannon Design 2010. All rights reserved. No part of this document may be reproduced or utilized in any form, without prior written authorization by The Cannon Corporation.