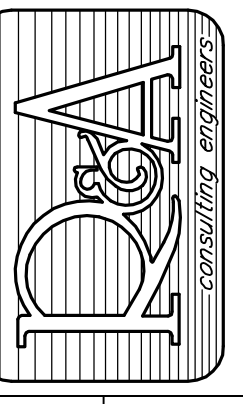


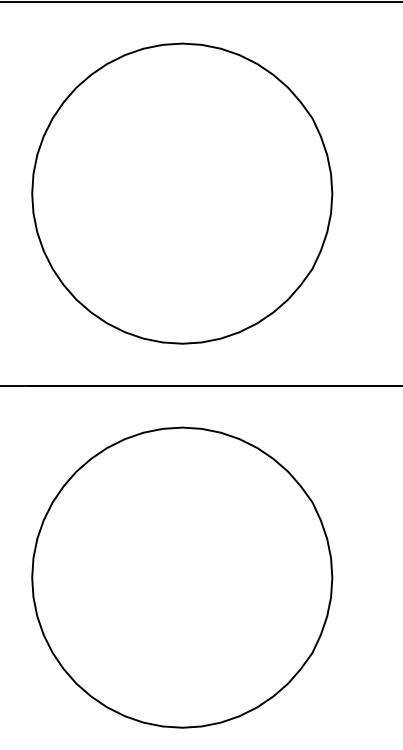


UNIVERSITY OF LOUISVILLE

**Omni** ARCHITECTS  
 212 North Upper Street  
 Lexington, Kentucky 40507-1001  
 P 859.252.6664 F 859.253.2358  
 www.omniarchitects.com

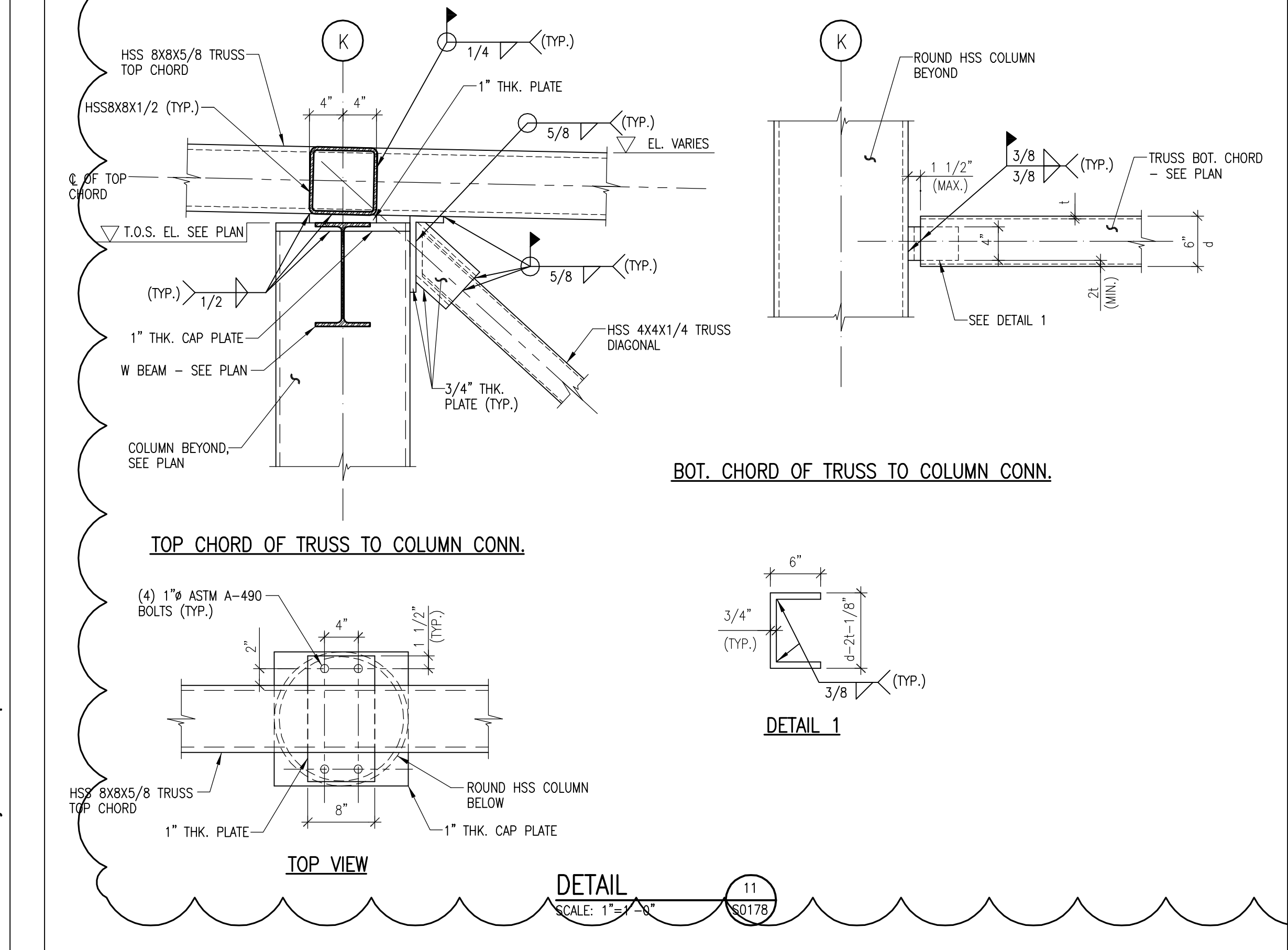
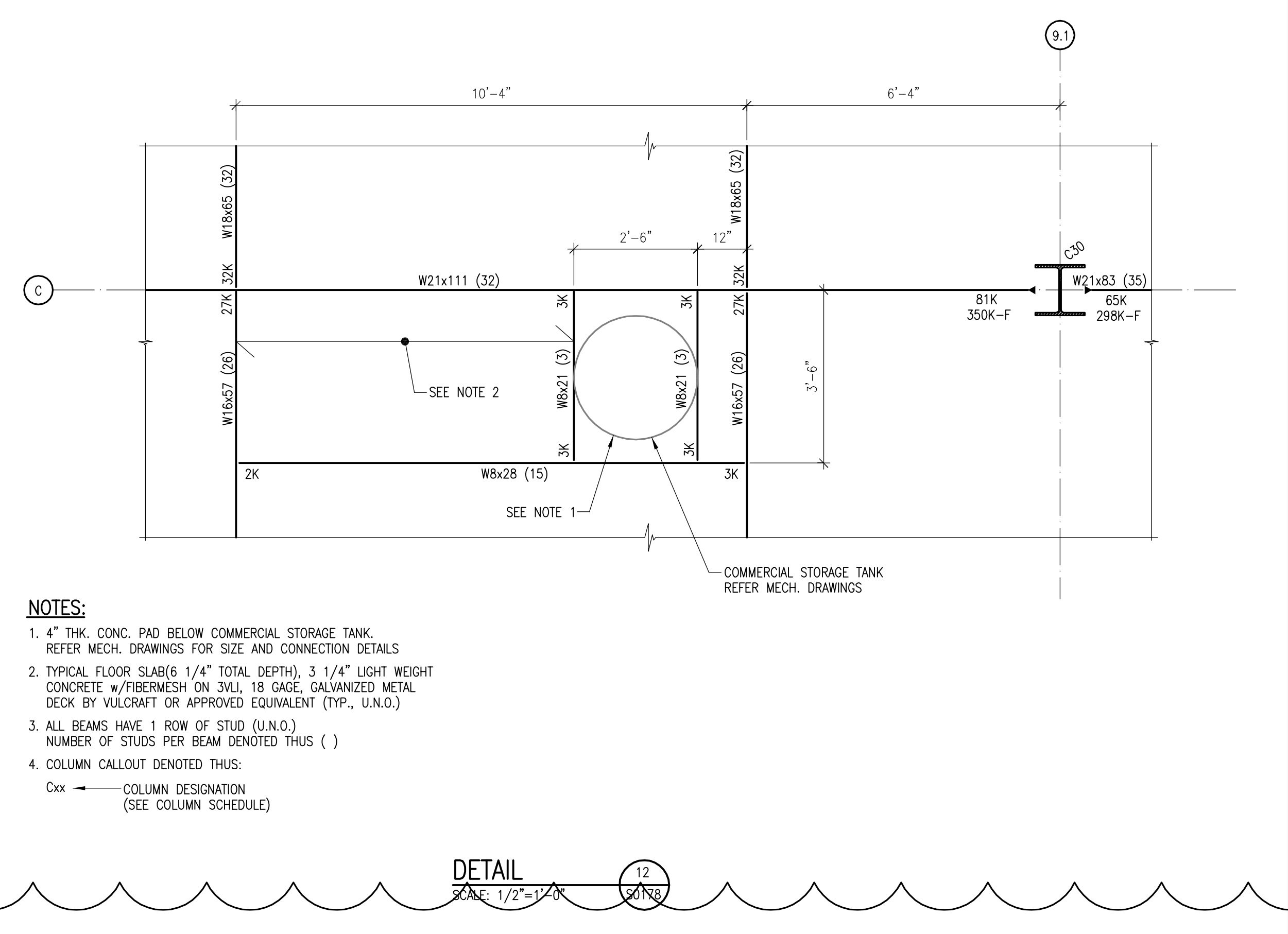
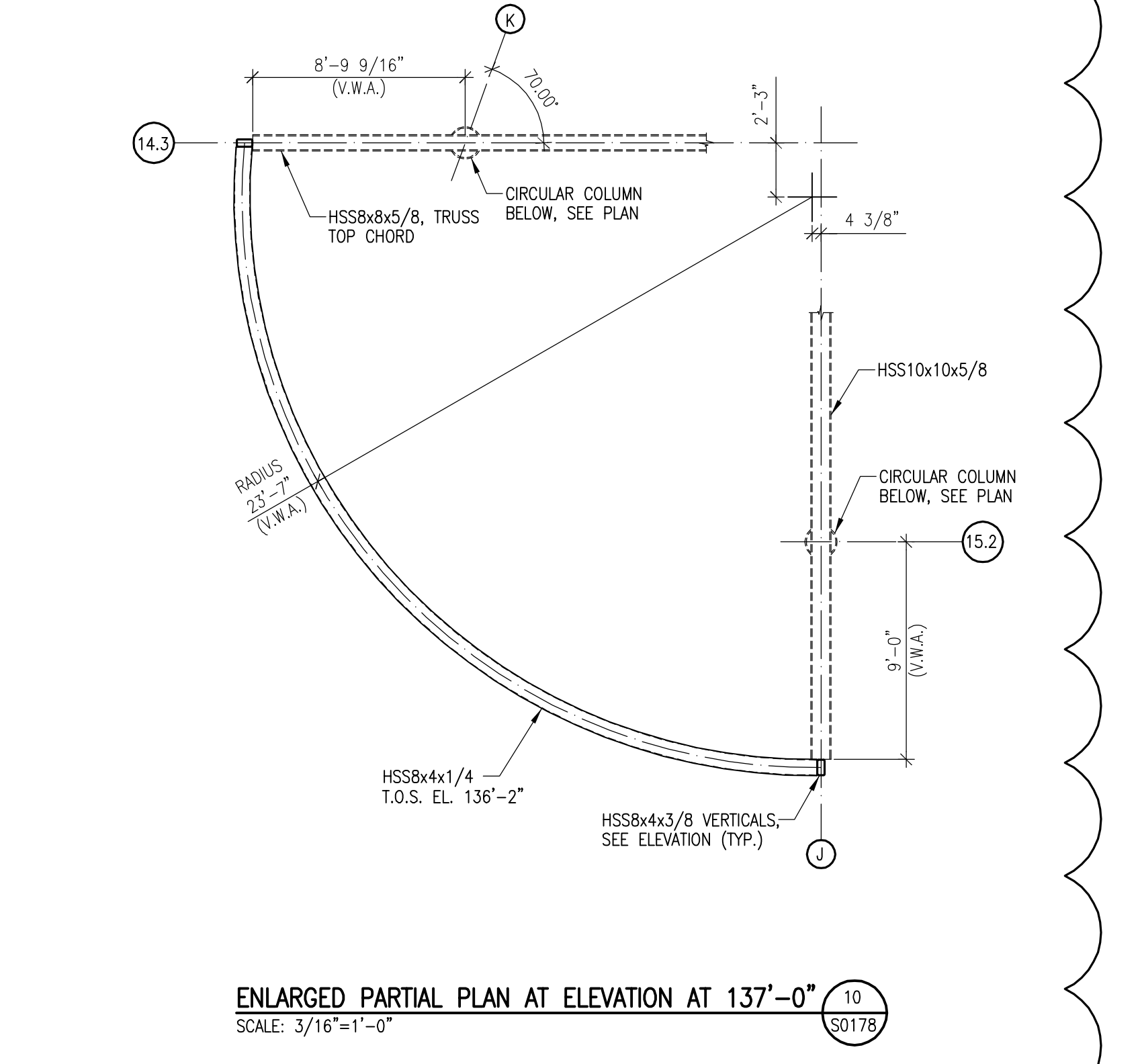
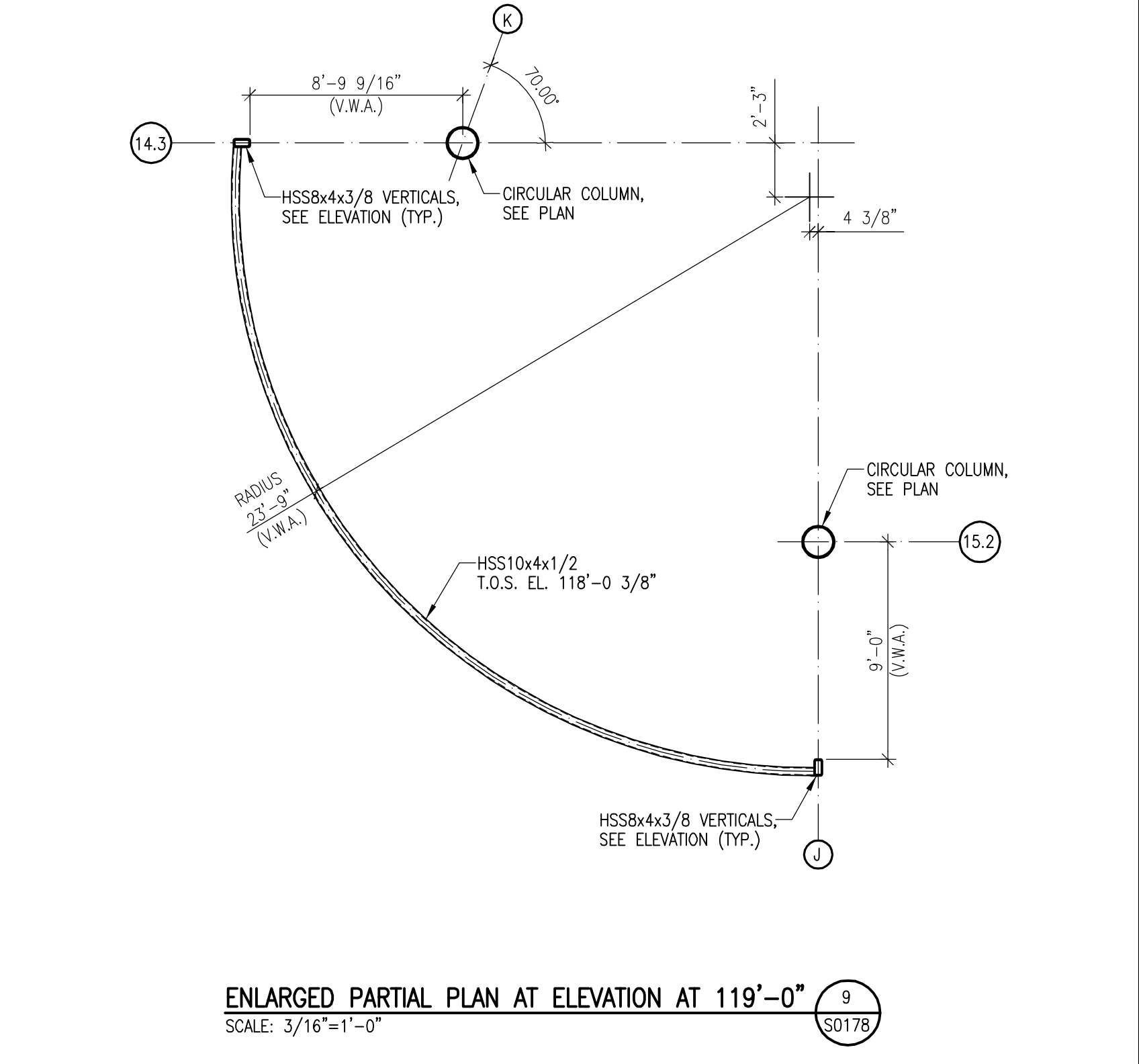
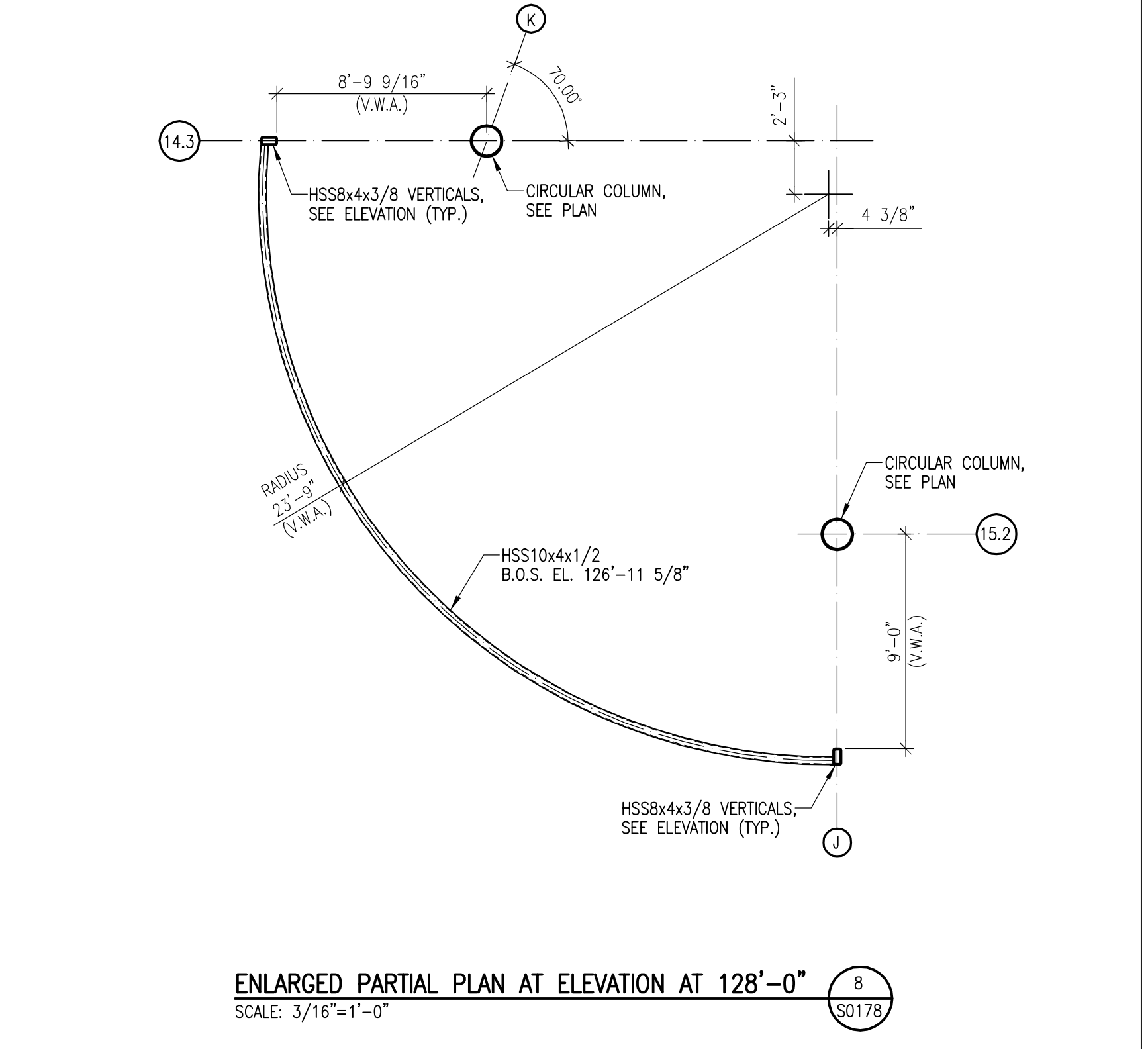
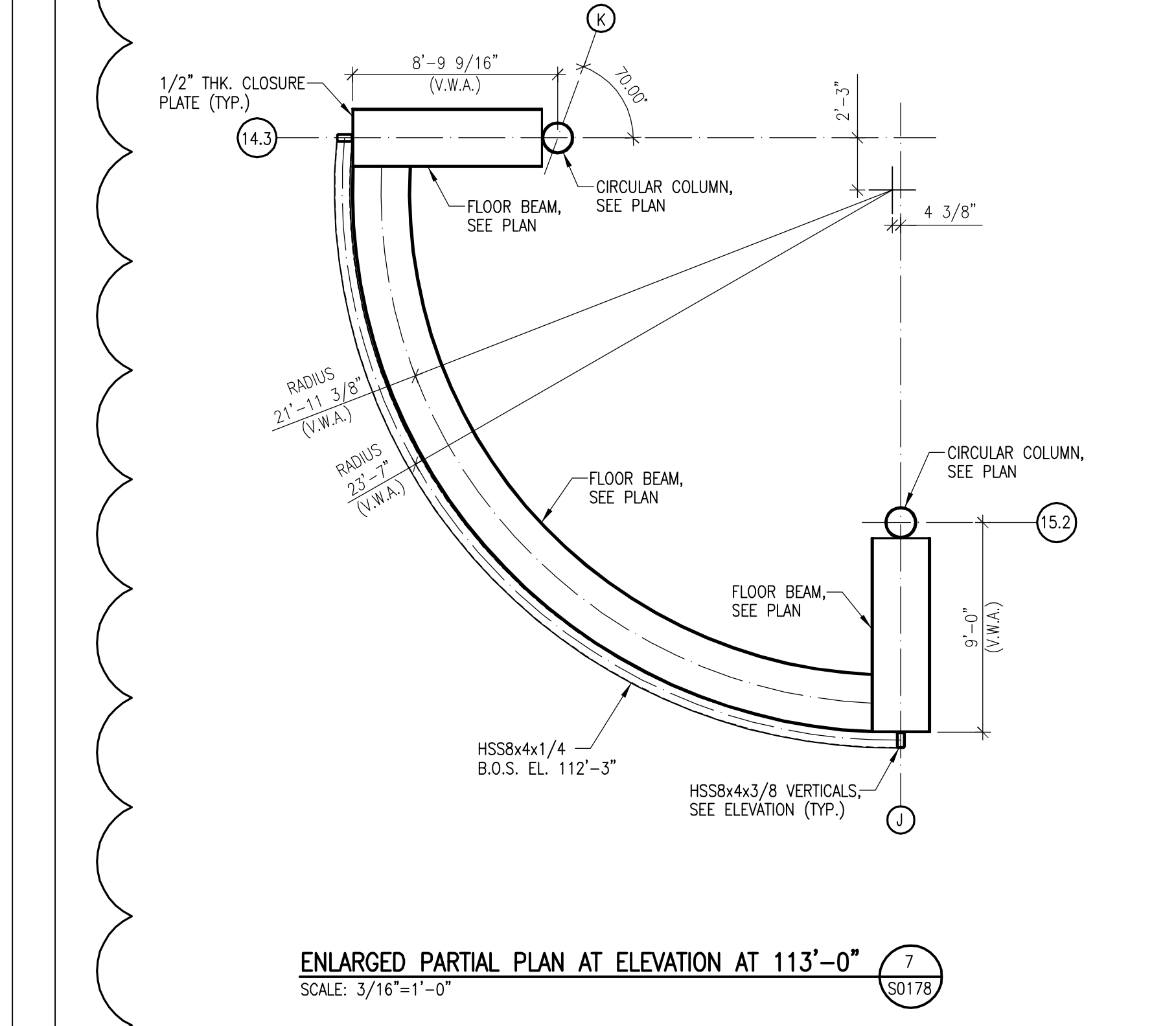
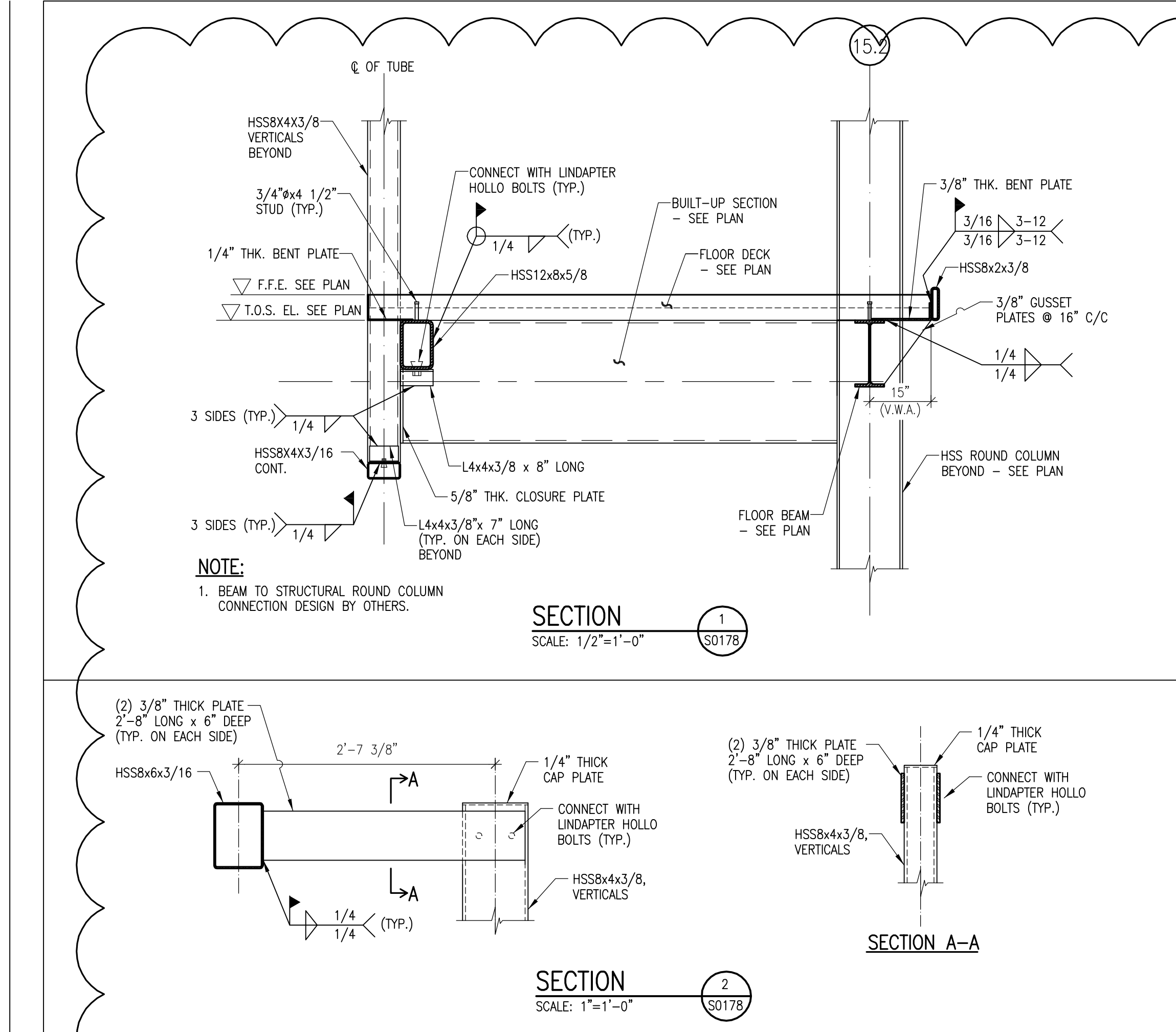
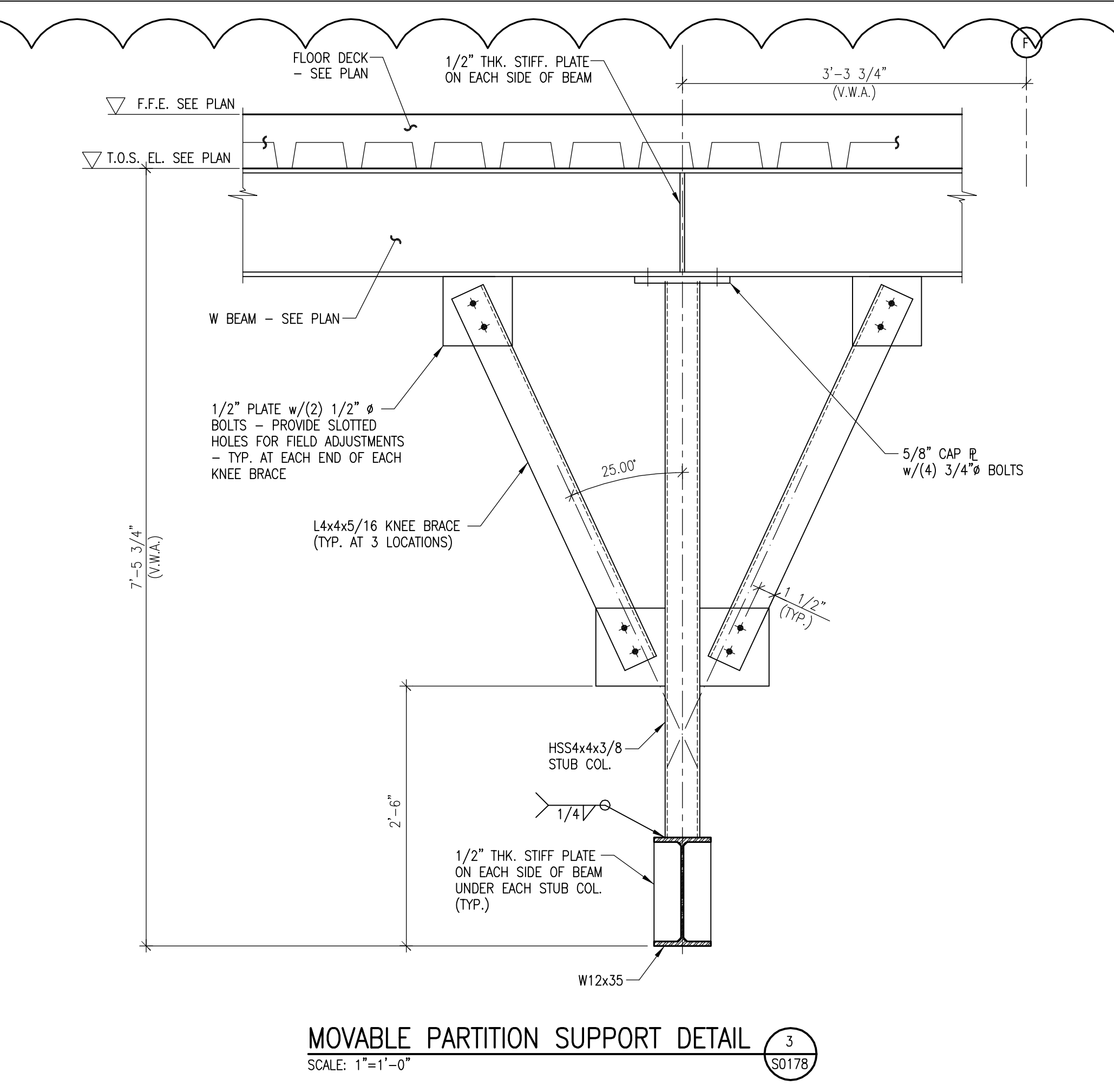
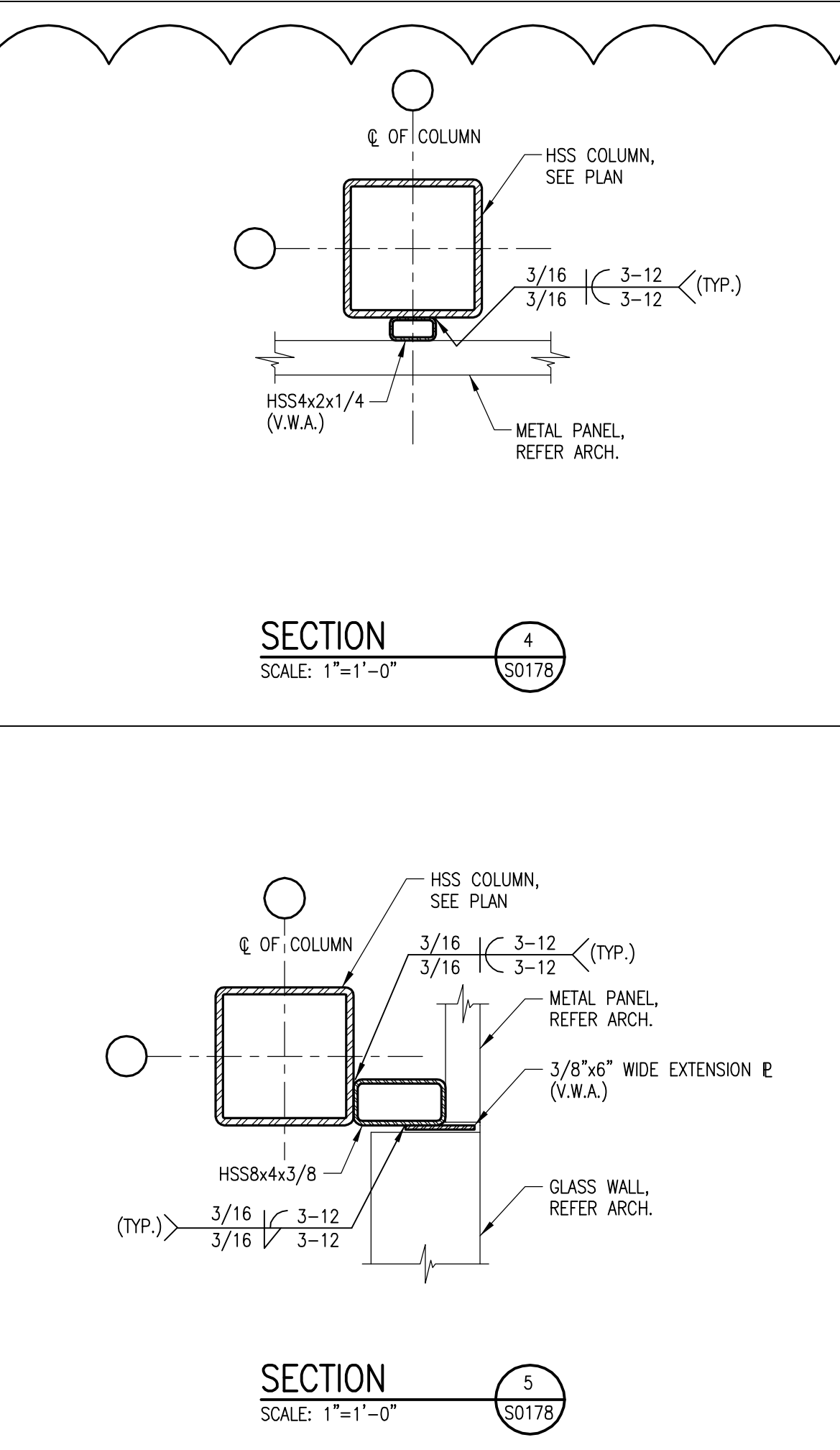
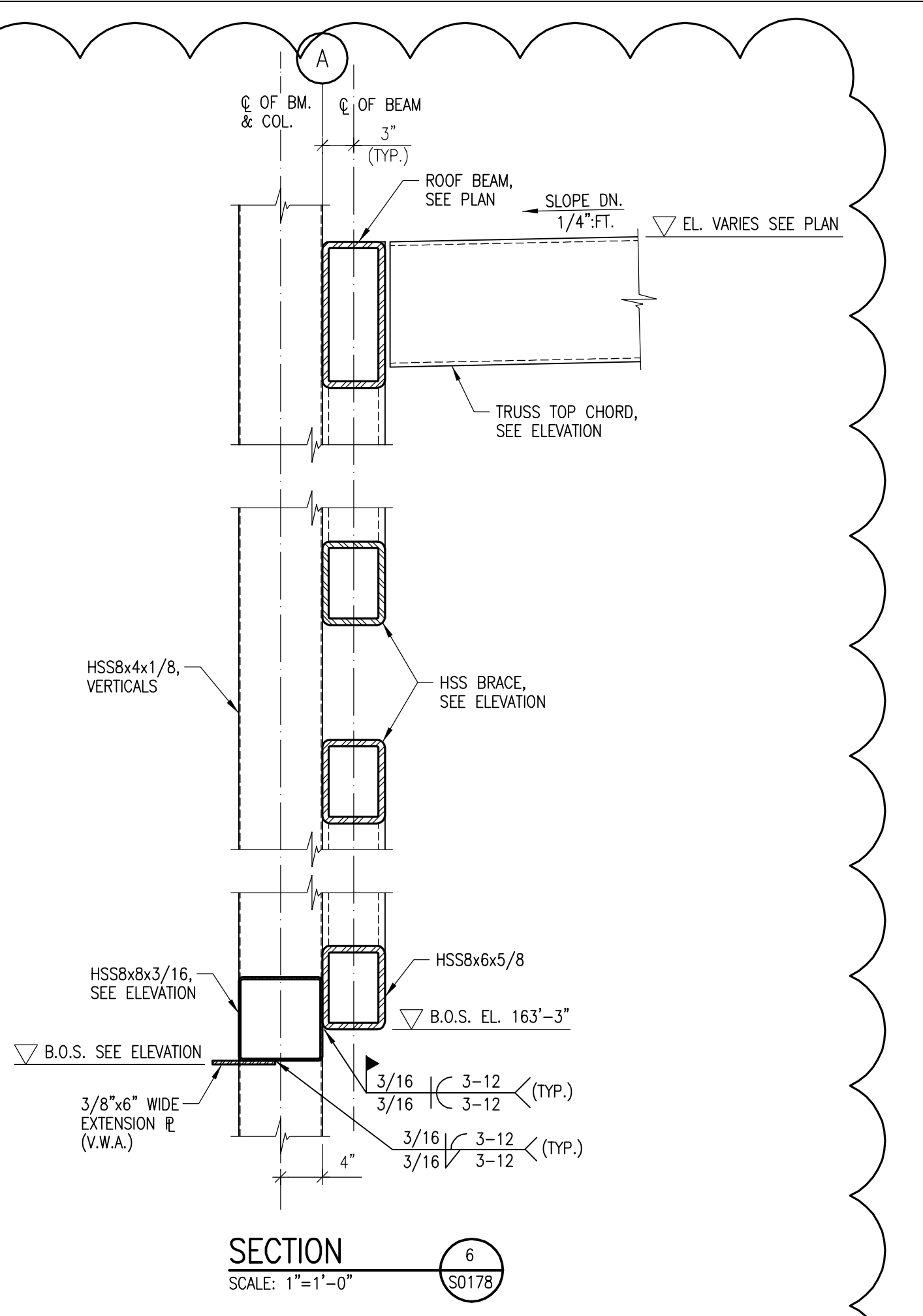


**RANGASWAMY AND ASSOC., INC.**  
 Suite 420, The Landmark Building  
 1000 S. Third Street, Louisville, KY 40202  
 Phone: (502) 588-2212 Fax: (502) 588-2240 www.rangaswamy.com



SECTIONS AND DETAILS		Revision Date
Drawing Name:	SECTIONS AND DETAILS	
U of L Project Number:	Omni - 1105.00	
Project Number:	Cannon - 03667.00	
Date:	March 02, 2012	
Drawn By:	VPP	
Checked By:	ANTHONY	

**S0178**



**DISCLAIMER NOTE:**  
 THIS SET OF CONSTRUCTION DRAWINGS HAS BEEN UPDATED TO INCLUDE ANY CHANGES ISSUED THROUGH ADDENDUM OR OTHER MEANS. EVERY EFFORT HAS BEEN TAKEN TO INCLUDE ALL CHANGES TO DATE. THE CONTRACTOR IS STILL RESPONSIBLE FOR PROVIDING ANY ITEMS THAT WERE SHOWN AS PART OF THE ORIGINAL BID SET THAT MAY HAVE BEEN OVERLOOKED AND NOT INCLUDED IN THIS SET.