

LEGENDS:

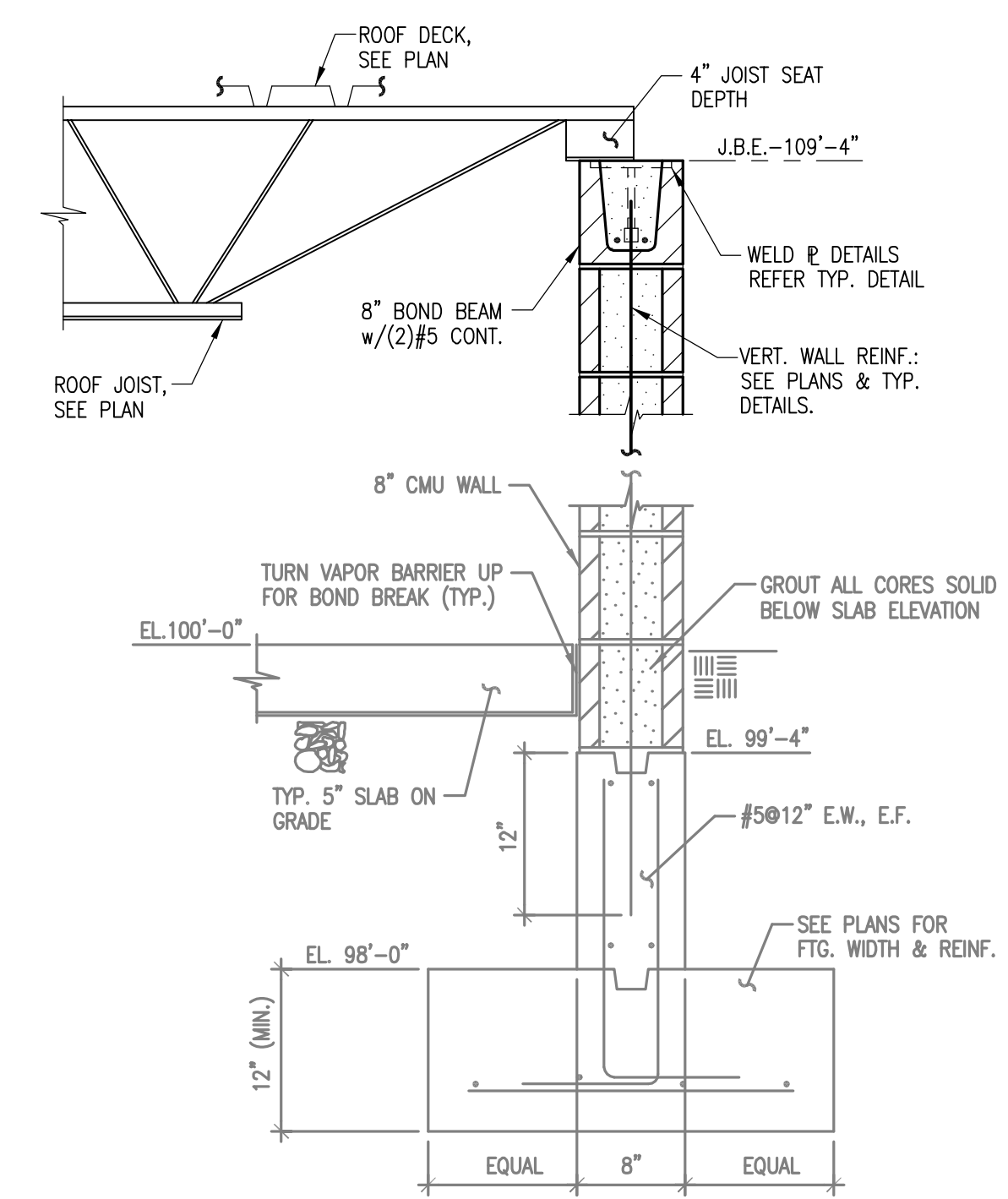
- = LOAD BEARING CMU WALL AND/OR EXTERIOR CMU WALL ABOVE
- 252 = ADDITIONAL VERTICAL CMU REINF. REQUIRED (SEE TYPICAL DETAIL)
- = LOAD BEARING CMU WALL AND/OR EXTERIOR CMU WALL BELOW
- 252 = ADDITIONAL VERTICAL CMU REINF. REQUIRED (SEE TYPICAL DETAIL)
- = STANDARD S.J.I. BRIDGING

ROOF FRAMING NOTES:

- #1. : INDICATES JOIST BOTTOM CHORD EXTENSION, MAKE FINAL ATTACHMENT TO COLUMN ONLY WHEN ALL ROOF DEAD LOADS ARE IN PLACE. JOISTS LOCATED ON COLUMN LINES SHALL ALWAYS BE "KCS" SERIES JOISTS AND THE JOIST END MOMENT SHALL BE 75% THE JOIST MOMENT CAPACITY.
- #2. MAXIMUM SPACING BETWEEN STEEL BAR JOISTS SHALL NOT EXCEED 5'-0" C/C, U.N.O.
- #3. UNLESS NOTED OTHERWISE, ALL ROOF JOIST SEATS SHALL BE 4" DEEP.
- #4. TERMINATE ALL S.J.I. BRIDGING LINES AS SHOWN ON DETAILS 5/50200 (SIMILAR), 12/50200 & 10/50201.
- #5. ALL JOISTS SHALL BEAR ON STEEL BEAMS OR STEEL PLATES THAT ARE SOLIDLY GROUTED INTO CMU. DO NOT BEAR JOISTS ON HOLLOW CMU BLOCKS, WOOD, ETC. UNLESS APPROVED BY THE ARCHITECT, WELD OR BOLT JOISTS TO BEARING STEEL PER THE JOIST SUPPLIER'S SHOP DRAWING DETAILS.
- #6. TYPICAL ROOF DECK TYPE B, 1 1/2" DEEP 20 GAGE G-90 DECKING BY VULCRAFT OR APPROVED EQUIVALENT. (TYP. U.N.O.)
- #7. FIELD MODIFICATIONS TO BAR JOISTS SHALL ONLY BE PERFORMED WITH THE PERMISSION OF THE JOIST SUPPLIER.
- #8. ALL OPENINGS THROUGH THE ROOF THAT EXCEED 6" DIAMETER OR 39 SQUARE INCHES SHALL HAVE THE DECK SUPPORTED USING STEEL MEMBERS, JOIST HEADERS, ETC. - SEE DETAIL 7/50201.
- #9. WELD OR SCREW METAL DECK TO SUPPORTS PER THE DECKING SUPPLIER'S SHOP DRAWING DETAILS. DECKING SUPPLIER MUST GRANT PERMISSION FOR ANY CHANGES TO THE ATTACHMENT METHODS.
- #10. ALL WATER PIPES OVER 3" IN DIAMETER SHALL BE HUNG FROM JOIST PANEL POINTS OR JOIST CHORDS. SHALL BE REINFORCED PER TYPICAL DETAIL 4/50200.
- #11. MECHANICAL EQUIPMENT HANGING UNDER THE ROOF JOISTS SHALL BE SUPPORTED BY AT LEAST THREE JOISTS. SEE TYPICAL DETAILS FOR JOIST REINFORCEMENT REQUIREMENTS. STRUCTURAL IS NOT RESPONSIBLE FOR THE DESIGN OF THE ACTUAL MEMBERS USED TO DISTRIBUTE, SUPPORT AND ISOLATE THE ACTUAL EQUIPMENT AND ITS LOADS.
- #12. MECHANICAL EQUIPMENT SITTING ON THE ROOF SHALL BE LOCATED SO THAT RELATIVE ROOF OPENINGS FOR THE EQUIPMENT DO NOT INTERFERE WITH JOISTS OR BRIDGING LINES. SEE DETAIL 7/50201 FOR DECK SUPPORT AT ROOF OPENINGS.
- #13. RD INDICATES ROOF DRAIN. ALL ROOF DRAINS MAY NOT BE SHOWN. COORDINATE EXACT LOCATIONS AND QUANTITIES WITH THE PLUMBING DRAWINGS. PROVIDE POSITIVE SLOPES/WARPS TO THE ROOF IN ORDER TO PROVIDE REQUIRED DRAINAGE. COORDINATE ROOF FINISHES WITH THE ARCHITECT.
- #14. COORDINATE WITH ARCH. FOR ROOF EDGE / BOUNDARY DETAILS.

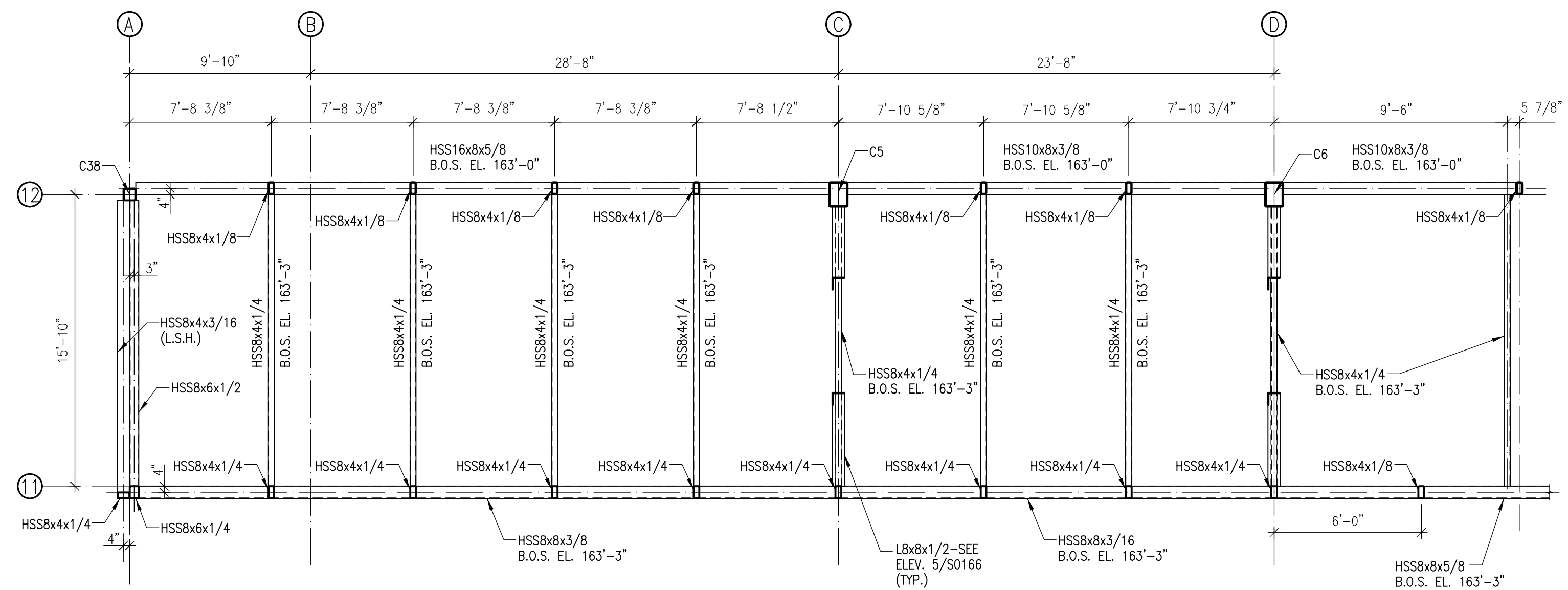
ROOF FRAMING PLAN

SCALE: 1/4"=1'-0"



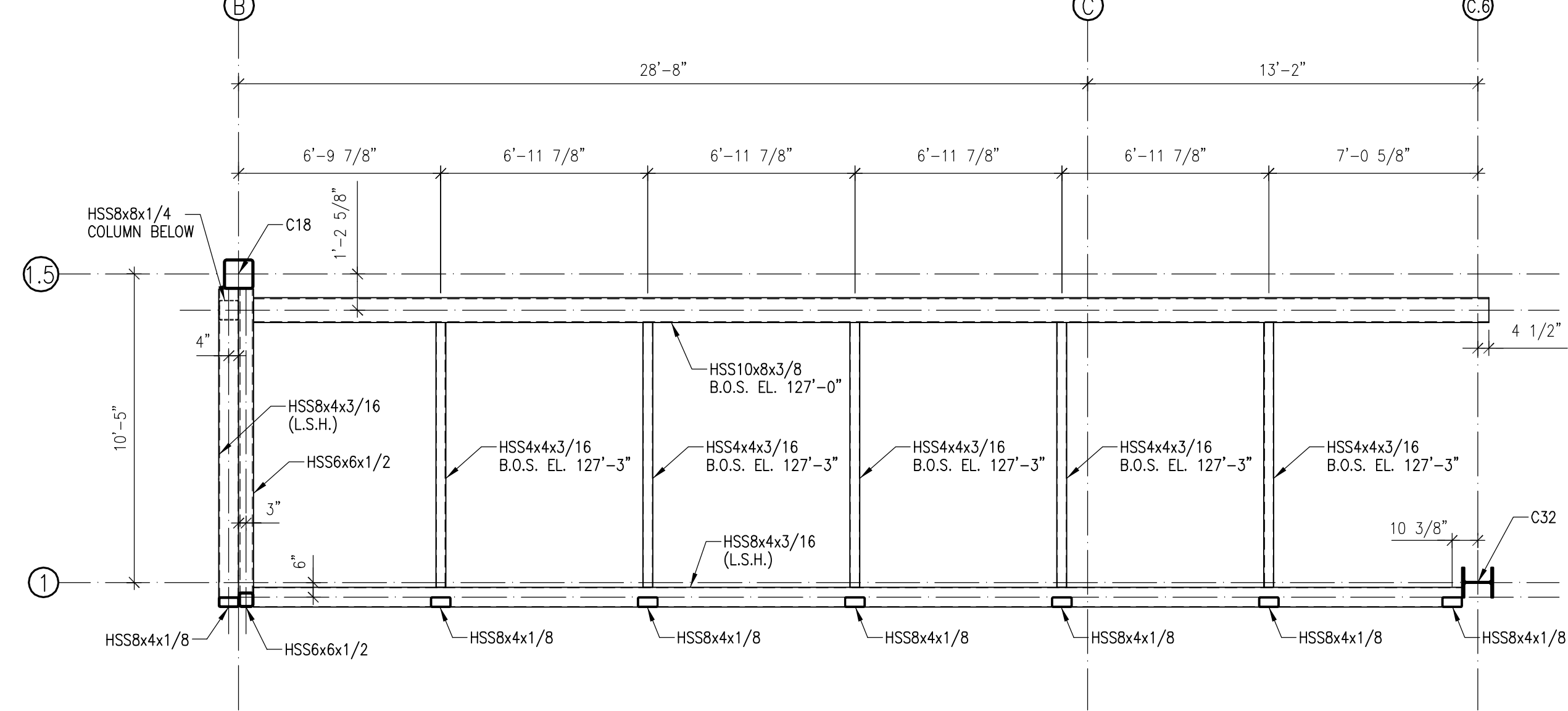
SECTION

SCALE: 1"=1'-0"



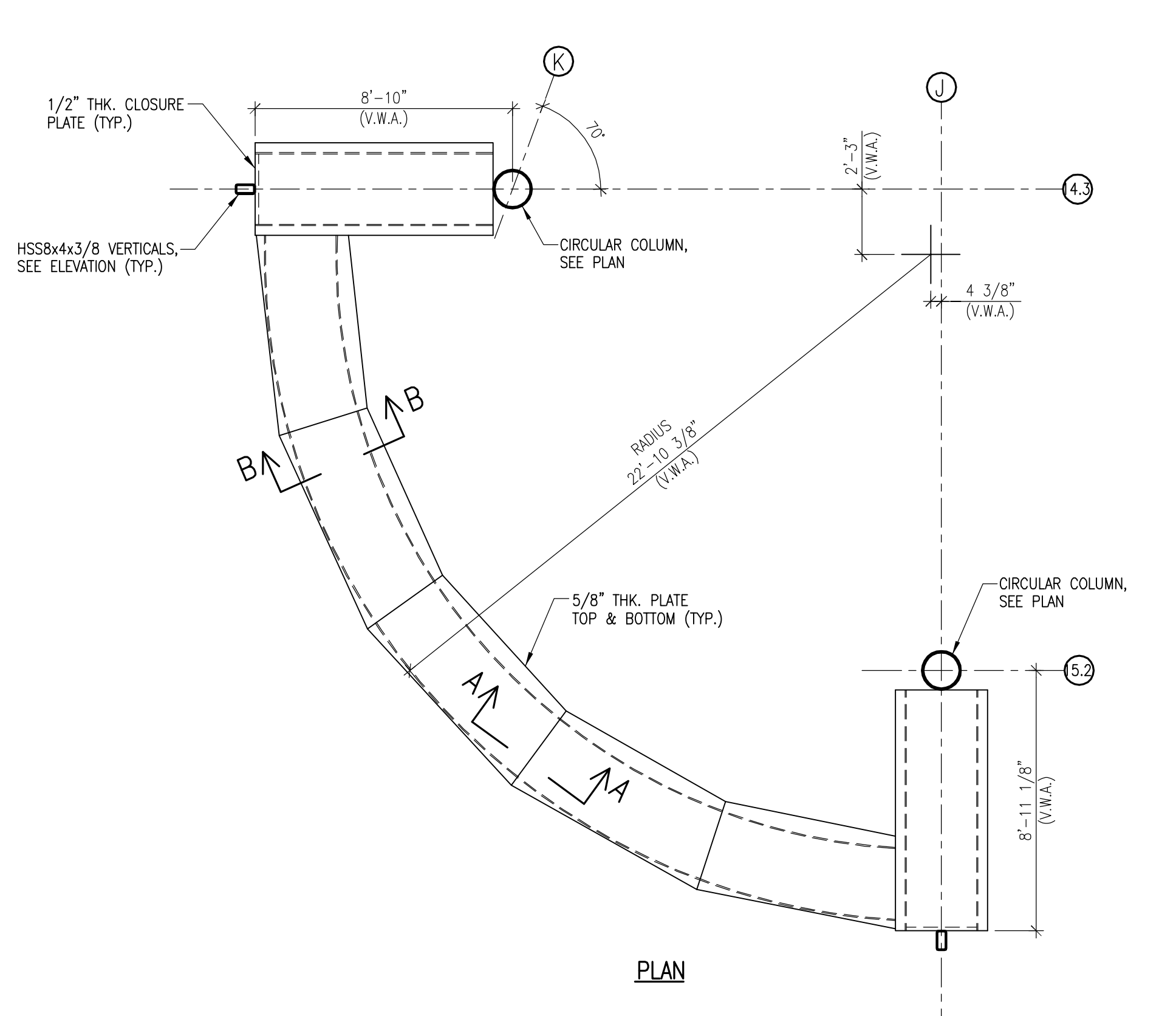
ENLARGED PARTIAL PLAN AT 165'-0" - HIGH ROOF

SCALE: 1/4"=1'-0"

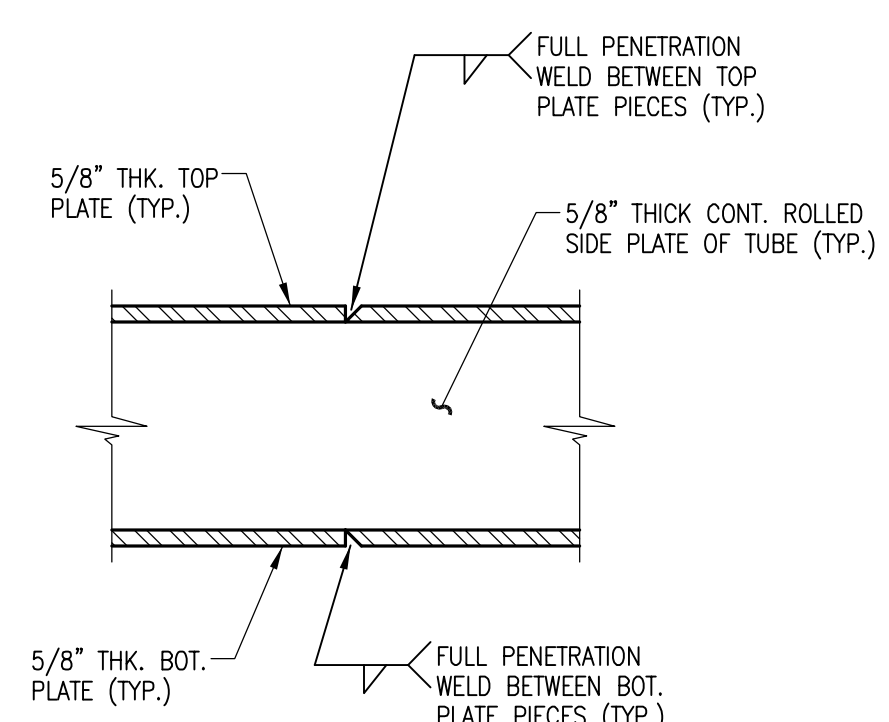


ENLARGED PARTIAL PLAN AT 128'-0" - LOW ROOF

SCALE: 1/4"=1'-0"

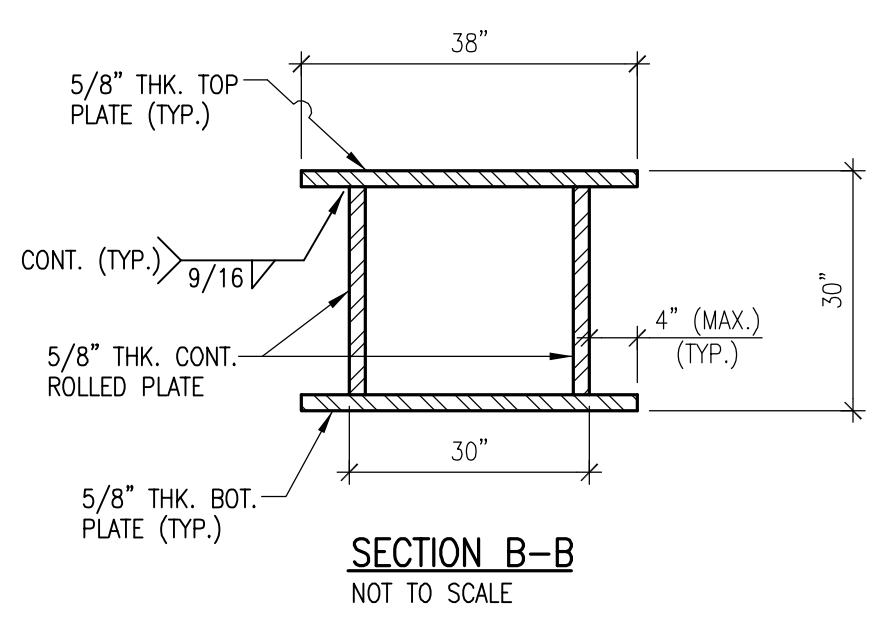


ENLARGED PARTIAL PLAN OF CURVED BEAM AT RUNNING TRACK



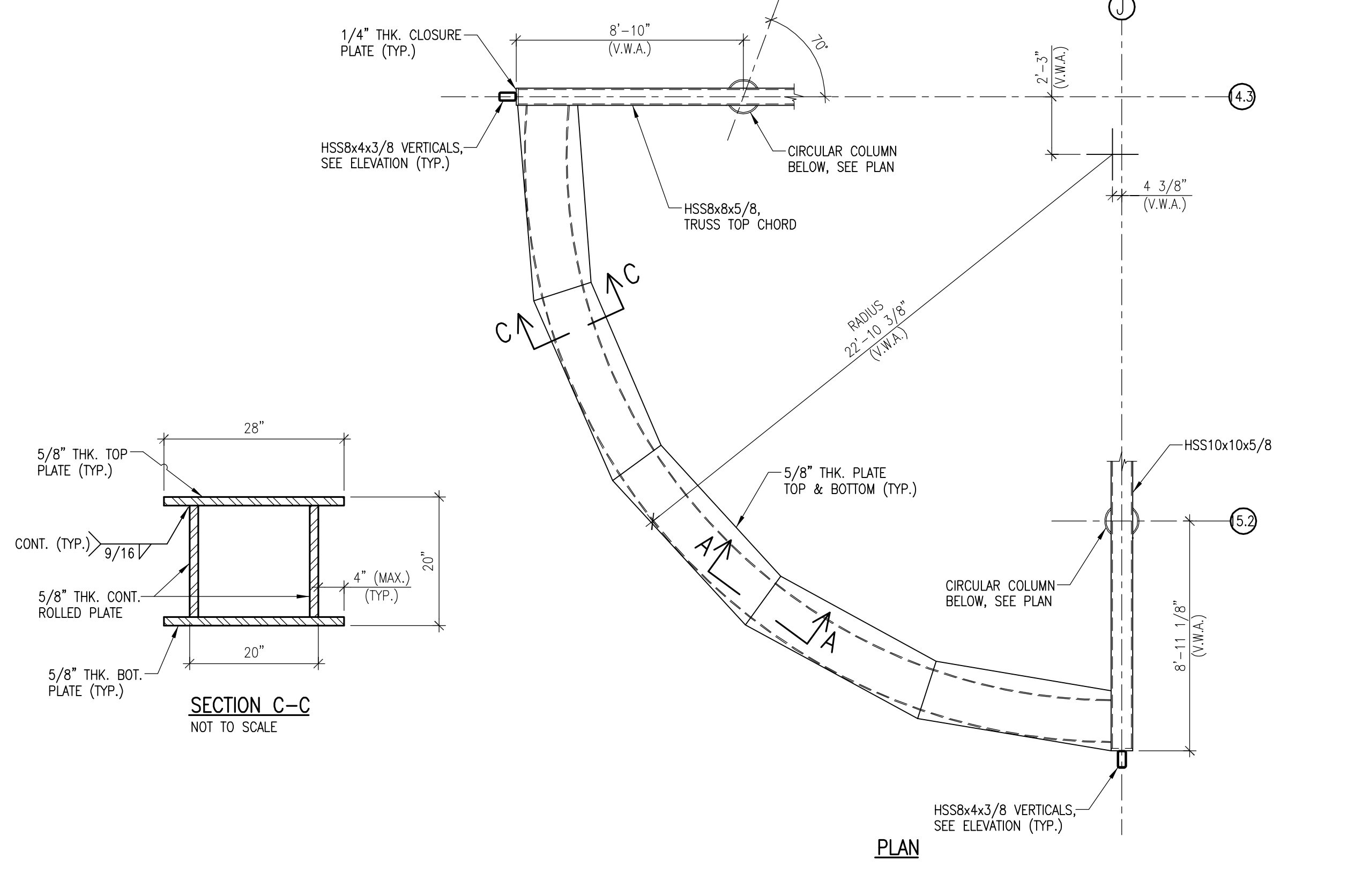
SECTION A-A

NOT TO SCALE



SECTION B-B

NOT TO SCALE



ENLARGED PARTIAL PLAN OF CURVED BEAM AT LOW ROOF

ENLARGED PARTIAL PLAN OF EXTERIOR CURVED BEAMS

SCALE: 1/4"=1'-0"

DISCLAIMER NOTE:

THIS SET OF CONSTRUCTION DRAWINGS HAS BEEN UPDATED TO INCLUDE ANY CHANGES ISSUED THROUGH ADDENDUM OR OTHER MEANS. EVERY EFFORT HAS BEEN TAKEN TO INCLUDE ALL CHANGES TO DATE. THE CONTRACTOR IS STILL RESPONSIBLE FOR PROVIDING ANY ITEMS THAT WERE SHOWN AS PART OF THE ORIGINAL BID SET THAT MAY HAVE BEEN OVERLOOKED AND NOT INCLUDED IN THIS SET.

<p>Omni ARCHITECTS</p> <p>212 North Upper Street Lexington, Kentucky 40507-1001 p 859.252.6664 f 859.253.2358 www.omniarchitects.com</p>	<p>CANNON DESIGN</p>	<p>UNIVERSITY OF LOUISVILLE</p>
<p>Drawing Name: SECTIONS AND DETAILS</p> <p>U of L Project Number: Omni - 1105.00 Cannon - 03667.00</p> <p>Project Number: March 02, 2012</p> <p>Date:</p>	<p>#</p> <p>Revision Date</p>	<p>Checked By: ANTHONY</p> <p>ND</p>

© Cannon Design 2010. All rights reserved. No part of this document may be reproduced or utilized in any form, without prior written authorization by The Cannon Corporation.