

LINTEL SECT. (NOM.)	MASONRY OPENING			
	UP TO 3'-4"	3'-4" TO 5'-6"	5'-6" TO 7'-0"	7'-0" TO 8'-6"
8" W. x 8" DP.	(2)#4	(2)#5	-	-
8" W. x 16" DP.	(2)#4	(2)#5	(2)#6	-
16" W. x 16" DP.	(2)#4	(2)#5	(2)#6	-

cmu's $f_m = 1500$ psi
GROUT FILL $f_c = 3000$ psi
REINF. ASTM A-615 GRADE 60
MAX. FLOOR/ROOF & WALL LOAD = 1000 psf

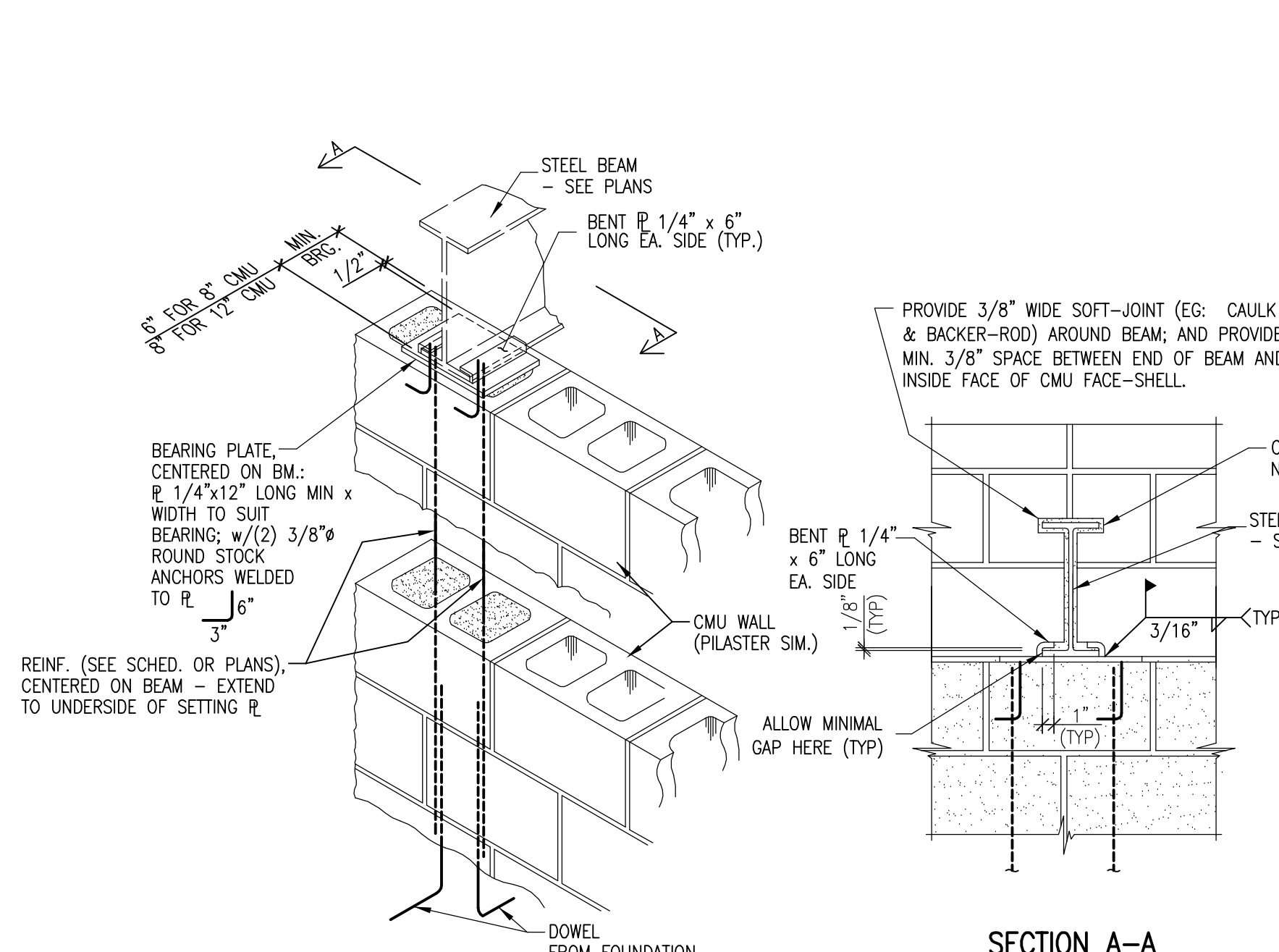
THIS TABLE IS BASED UPON CMU CONSTRUCTION WITH FIELD INSPECTION OF MATERIALS AND WORKMANSHIP BY ARCHITECT.



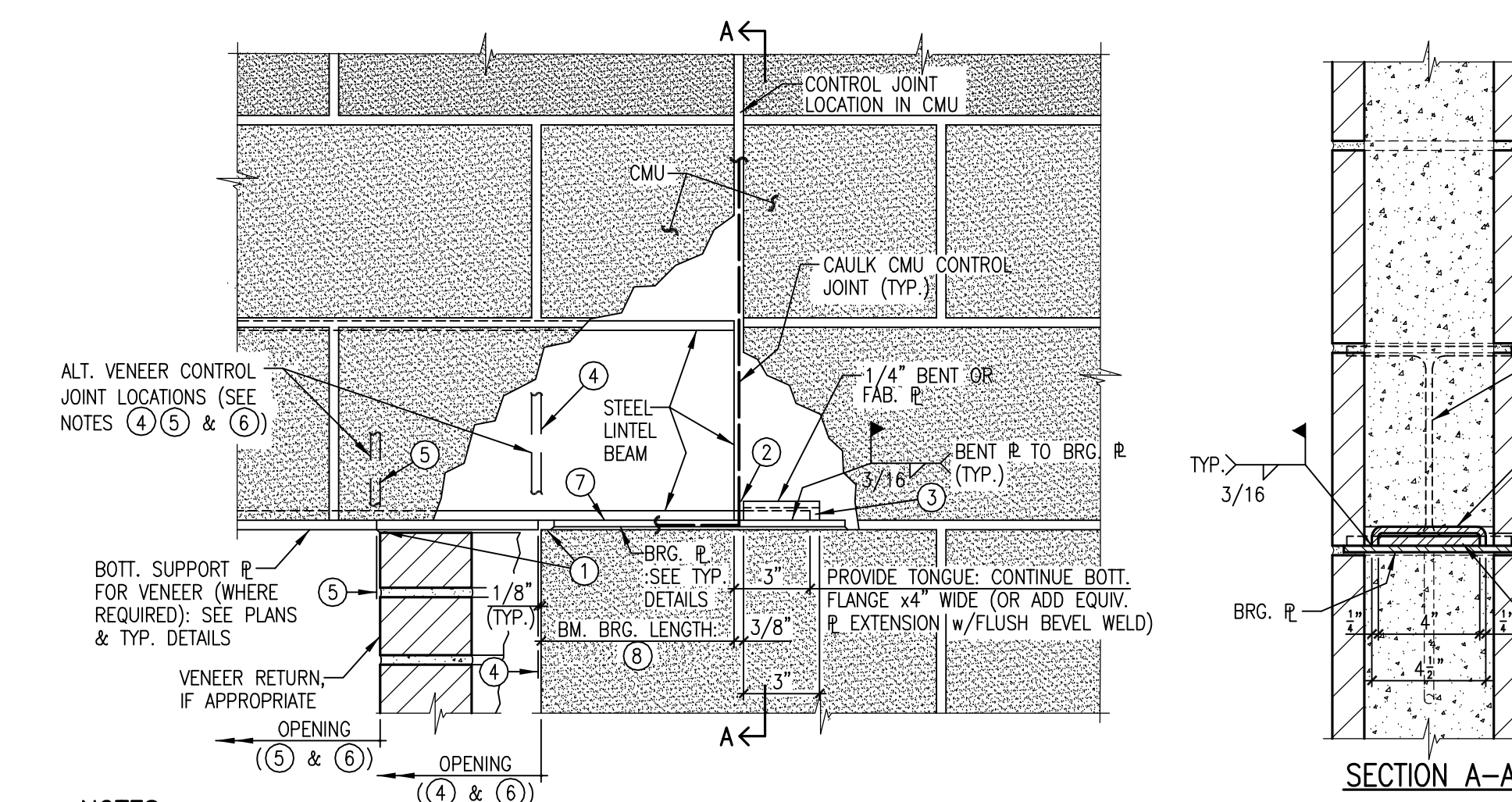
NOTES:

- INSPECTION OF ALL LINTELS IS REQUIRED.
- COORD. WITH TYP. CMU CONTROL JOINT & REINFORCEMENT DETAILS.
- REFER TO THE GENERAL PROVISIONS FOR DOUBLE STACKED 8" DEEP LINTELS IN LIEU OF 16" DEEP LINTEL OPTIONS.

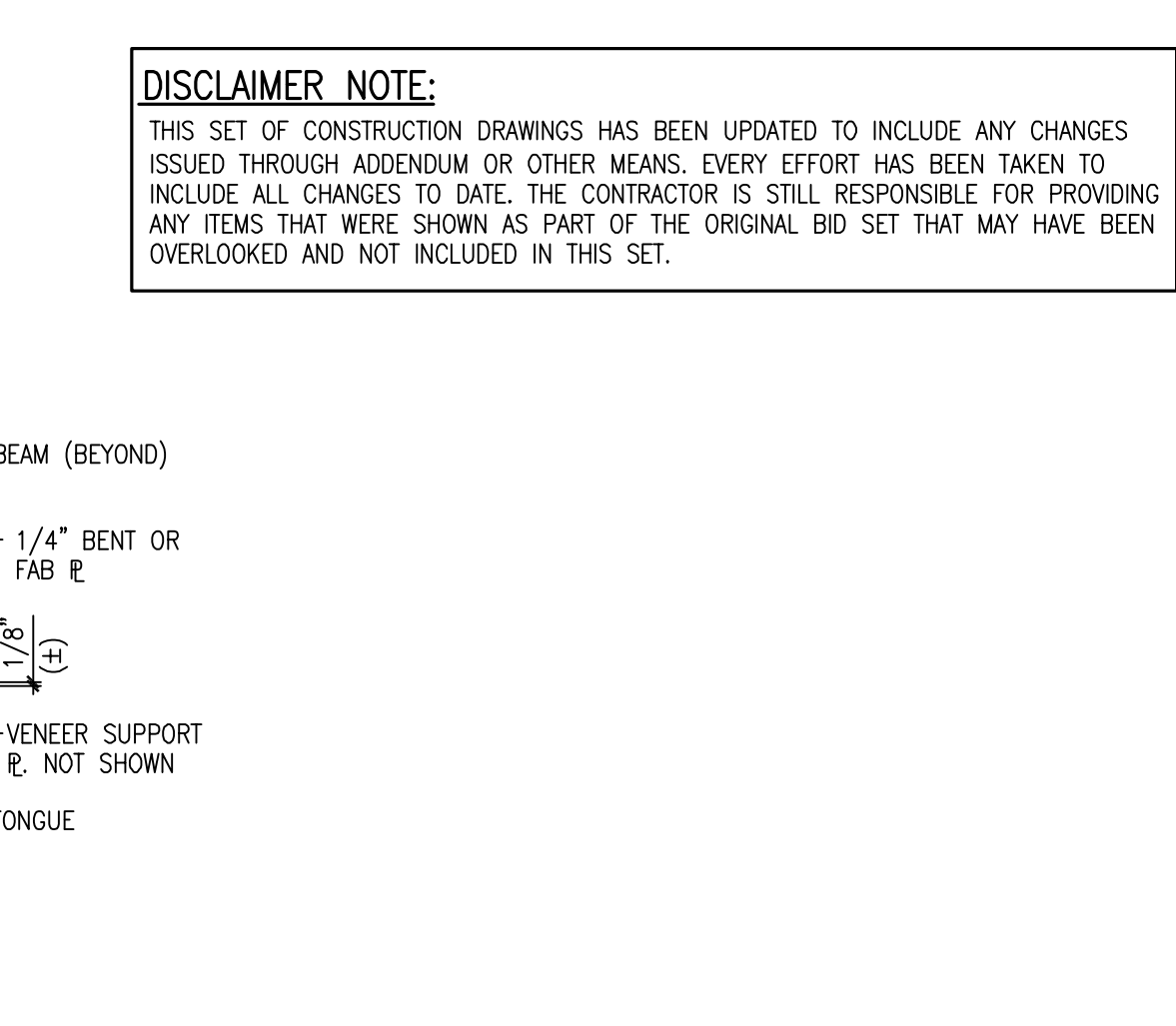
TYPICAL CMU LINTEL REINF. DETAILS (1) S0200
NOT TO SCALE



TYPICAL DETAIL - MASONRY WALL BEAM BEARING (NON-PARALLEL ORIENTATION) (2) S0200
NOT TO SCALE

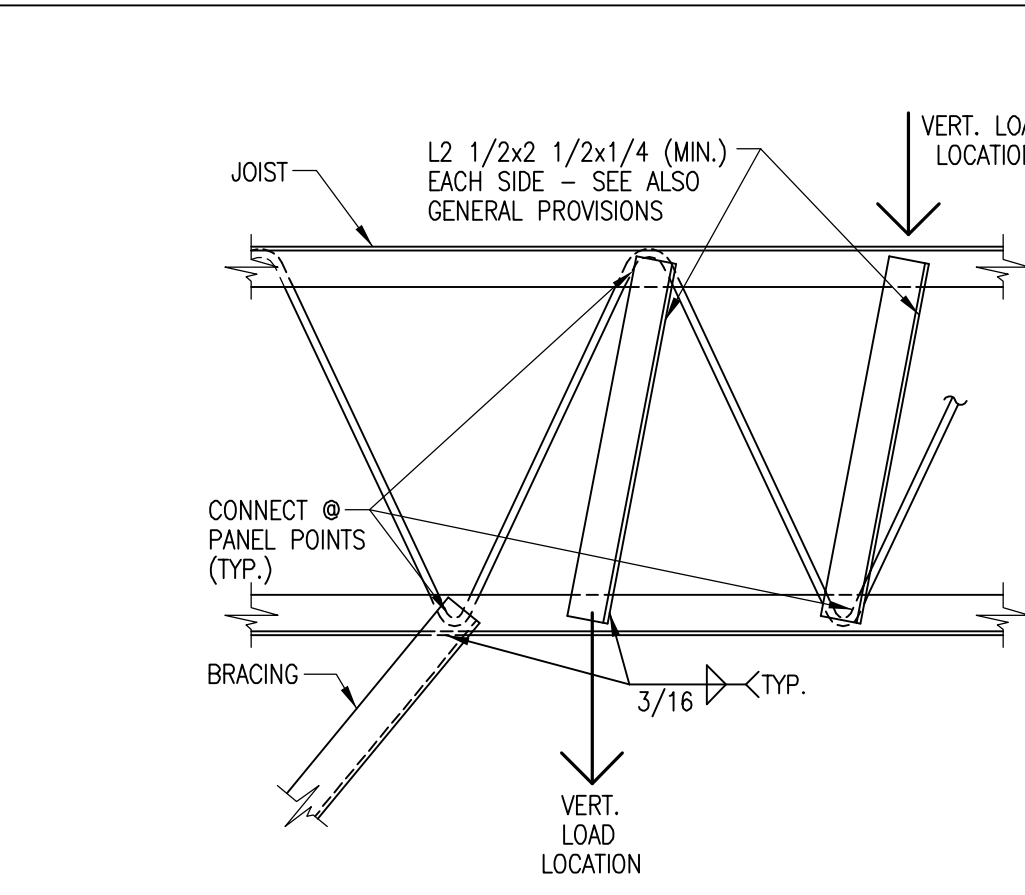


TYPICAL DETAIL - MASONRY WALL BEAM BEARING (PARALLEL ORIENTATION) (3) S0200
NOT TO SCALE



VEENER REINFORCEMENT BEYOND OPENING AND VENEER CONTROL JOINT BEYOND OPENING (SEE NOTE 6)) (4) S0200
NOT TO SCALE

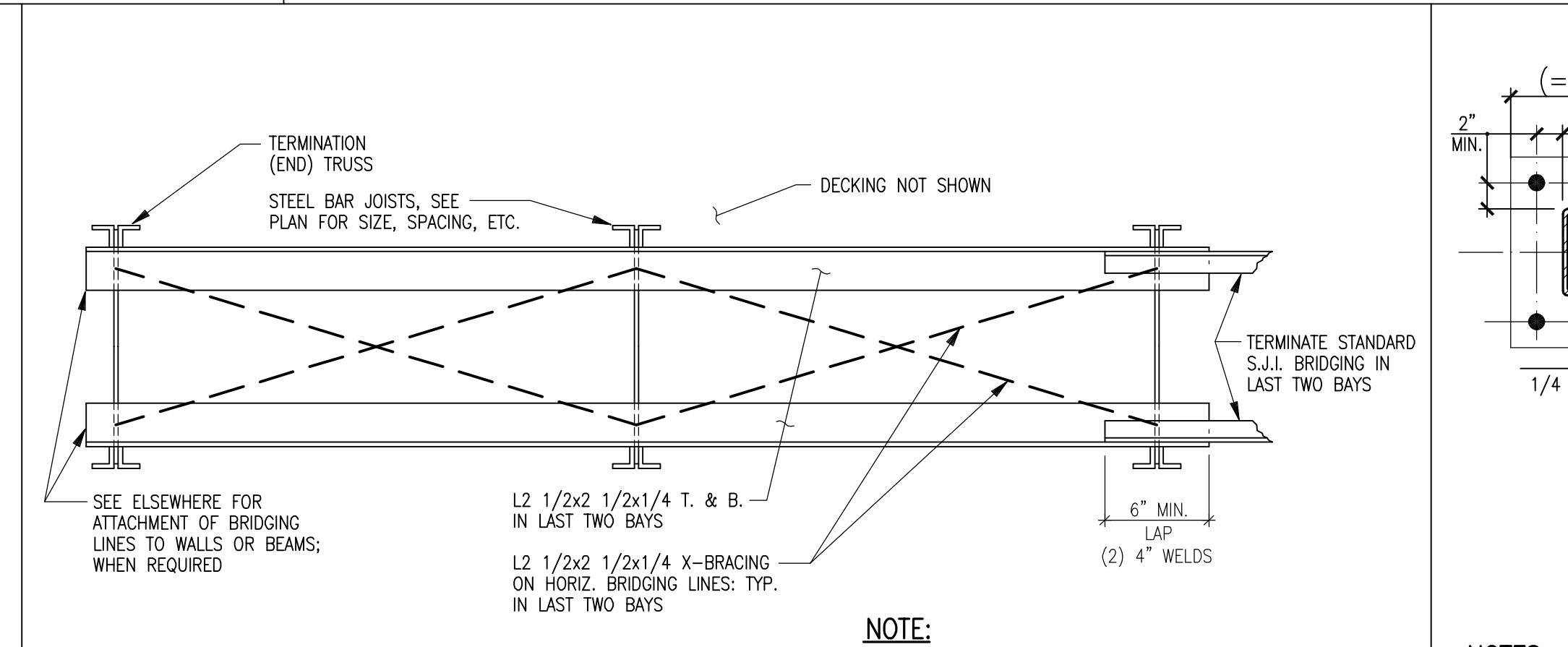
DISCLAIMER NOTE:
THIS SET OF CONSTRUCTION DRAWINGS HAS BEEN UPDATED TO INCLUDE ANY CHANGES ISSUED THROUGH ADDENDUM OR OTHER MEANS. EVERY EFFORT HAS BEEN TAKEN TO INCLUDE ALL CHANGES TO DATE. THE CONTRACTOR IS STILL RESPONSIBLE FOR PROVIDING ANY ITEMS THAT WERE SHOWN AS PART OF THE ORIGINAL BID SET THAT MAY HAVE BEEN OVERLOOKED AND NOT INCLUDED IN THIS SET.



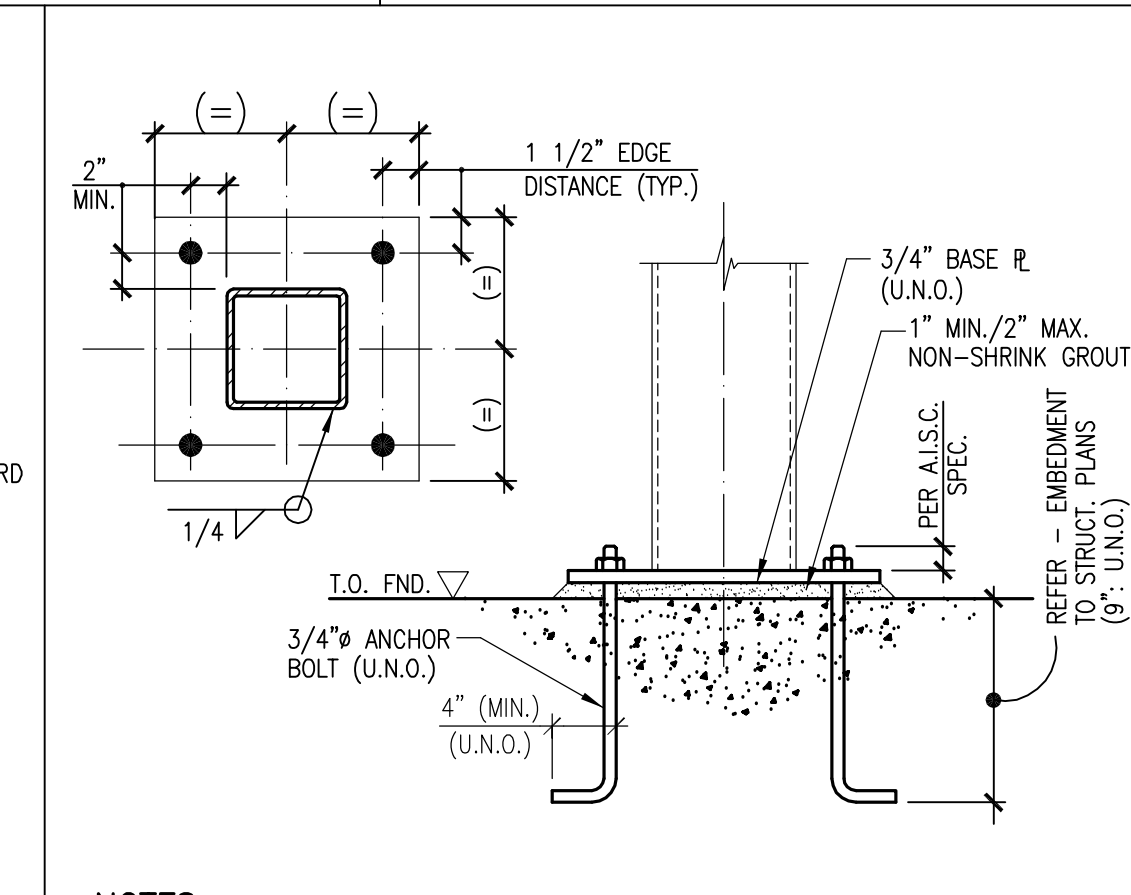
NOTES:

- TYP. MIN. REQUIREMENT WHERE LOADS ARE TO BE HUNG FROM OR PLACED ON JOIST CHORDS OTHER THAN AT PANEL POINTS.
- TYP. MIN. REQUIREMENT FOR BRACING WHERE NOT DETAILED OTHERWISE.

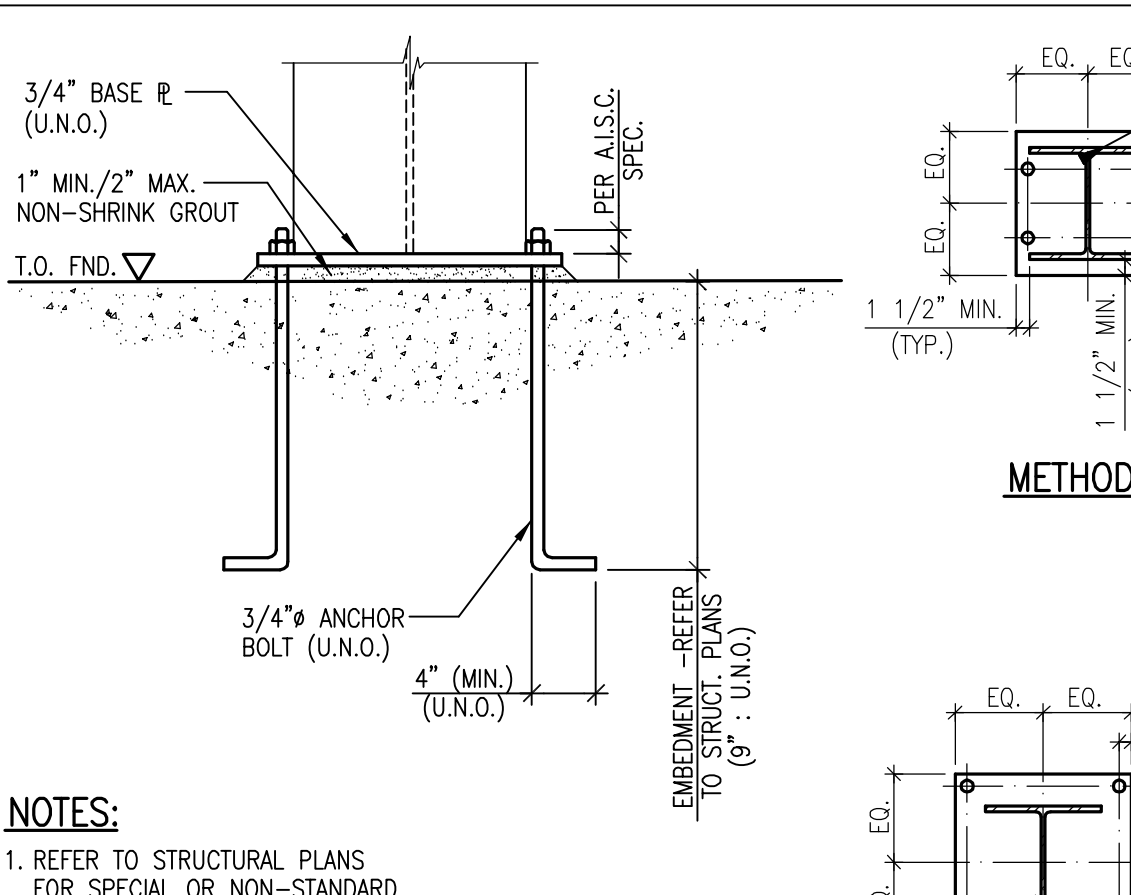
TYPICAL DETAIL - BRACING ATTACHMENTS & MINIMUM JOIST REINFORCEMENT AT CONCENTRATED LOADS (4) S0200
NOT TO SCALE



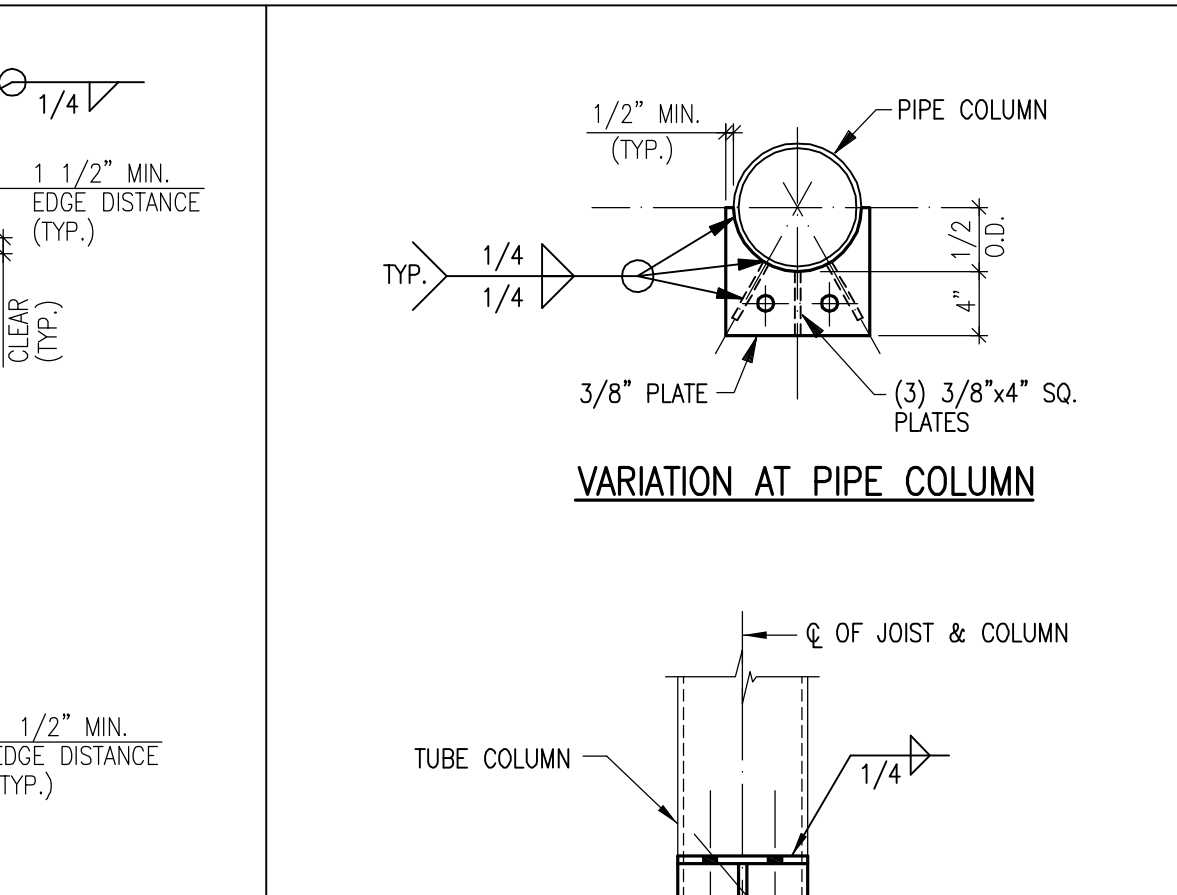
JOIST BRIDGING DETAIL (5) S0200
NOT TO SCALE



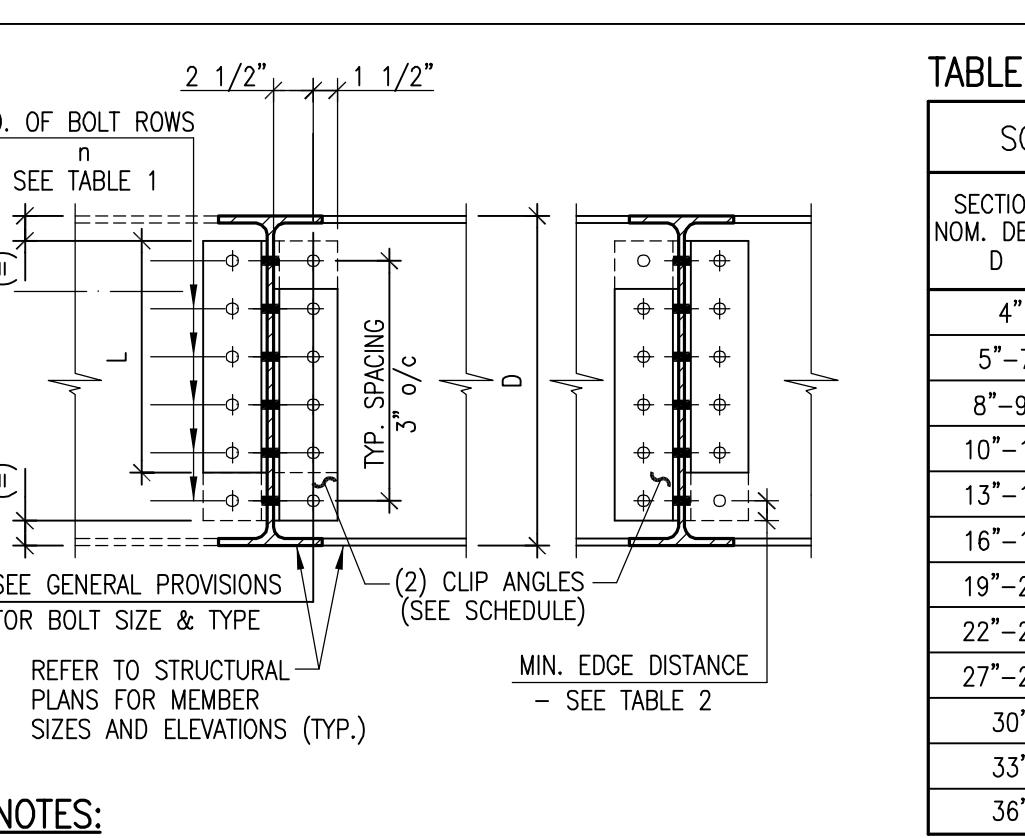
TYPICAL BASEPLATE DETAILS (U.N.O.) (6) S0200
NOT TO SCALE



TYPICAL BASEPLATE DETAILS (U.N.O.) (7) S0200
NOT TO SCALE



TYPICAL DETAIL - JOIST SEAT ANGLE AT TUBE COLUMN (8) S0200
NOT TO SCALE



TYPICAL BEAM TO BEAM CONNECTION (U.N.O.) (9) S0200
NOT TO SCALE

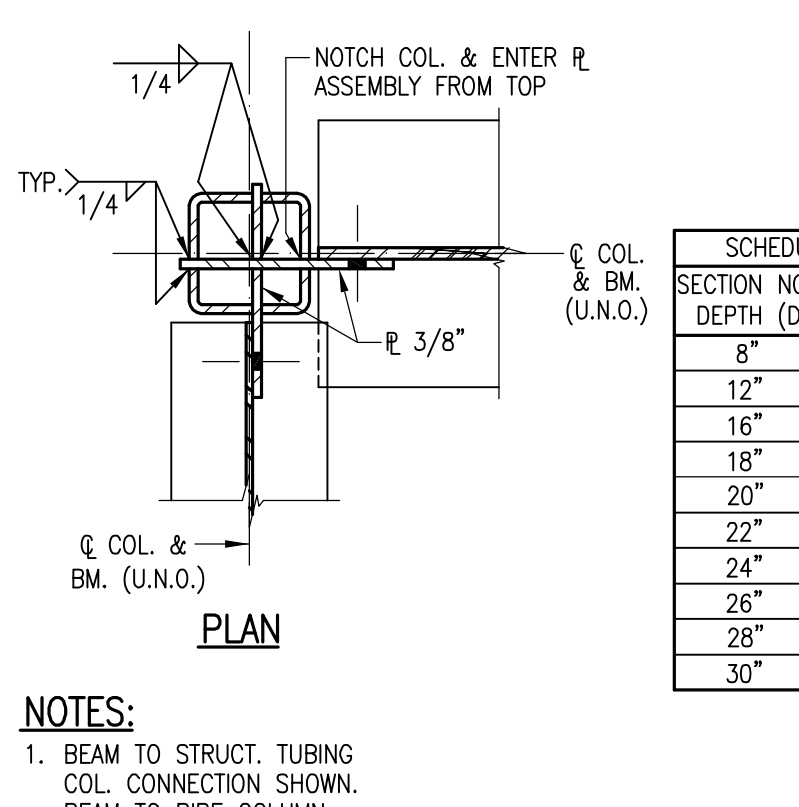
TABLE 1:

SECTION NOM. DEPTH D	CONNECTION TYPE	NUMBER OF BOLT ROWS n	CLIP L SIZE	LENGTH OF CLIP L
4"	BDL1	1	L4x4x3/8	0'-2 5/8"
5'-7"	BDL1	1	L4x4x3/8	0'-3"
8'-9"	BDL2	2	L4x4x3/8	0'-5 1/2"
10'-12"	BDL3	3	L4x4x3/8	0'-8 1/2"
13'-15"	BDL3	4	L4x4x3/8	0'-11 1/2"
16'-18"	BDL4	5	L4x4x3/8	1'-2 1/2"
19'-21"	BDL4	6	L4x4x3/8	1'-5 1/2"
22'-24"	BDL5	7	L4x4x3/8	1'-8 1/2"
27'-29"	BDL5	8	L4x4x3/8	1'-11 1/2"
30"	BDL6	9	L4x4x3/8	2'-2 1/2"
33"	BDL7	10	L4x4x3/8	2'-5 1/2"
36"	BDL10	11	L4x4x3/8	2'-8 1/2"

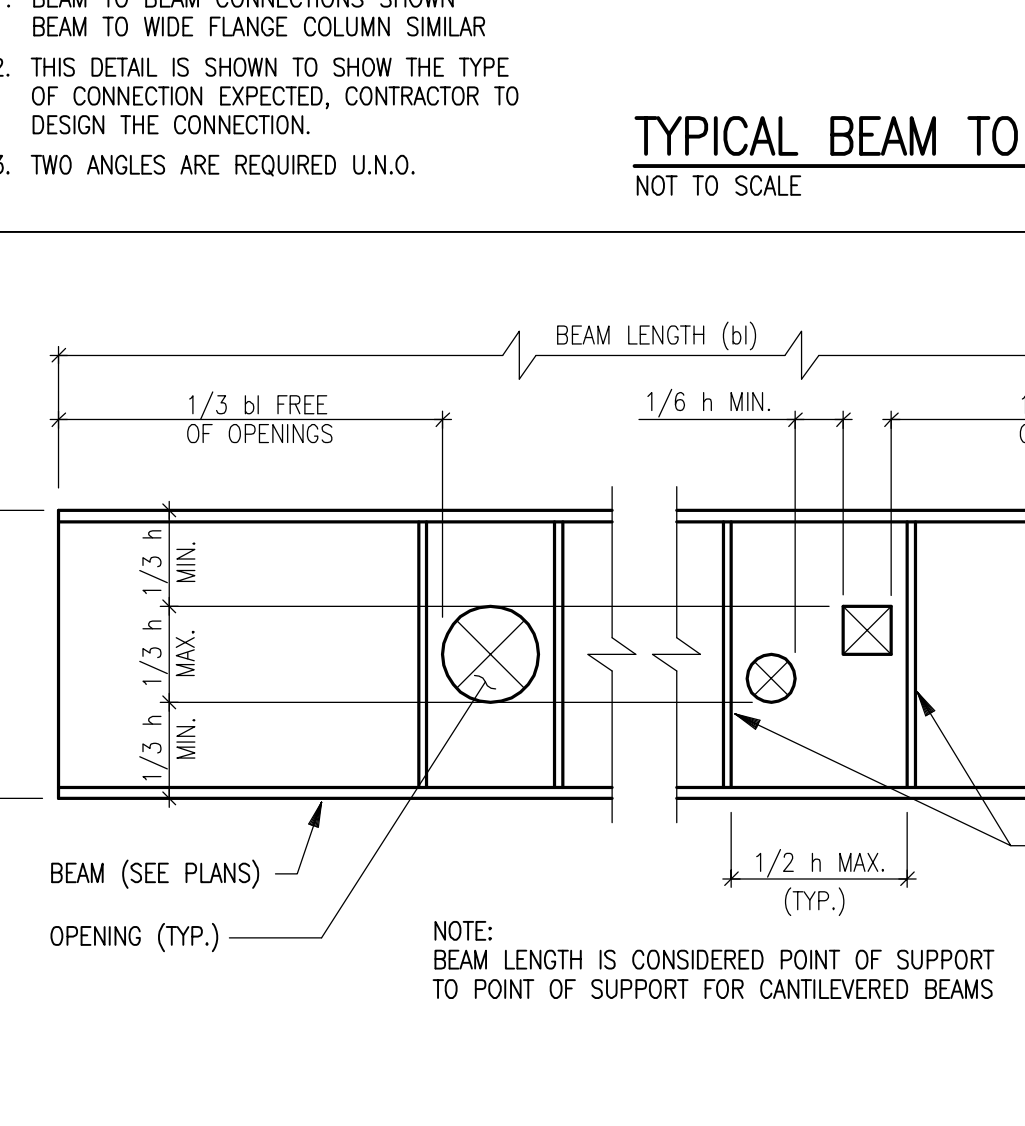
TABLE 2:

MINIMUM EDGE DISTANCE, in. (CENTER OF STANDARD HOLE TO EDGE OF CONNECTED PART)			
NOMINAL BOLT OR RIVET DIA. (in.)	AT SHEARED EDGES	AT ROLLED EDGES OF PLATES, SHAPES OR BARS, GAS CUTS OR SAW-CUT EDGES*	
1/2"	7/8"	3/4"	
5/8"	1 1/8"	7/8"	
3/4"	1 1/4"	1"	
7/8"	1 1/2"	1 1/8"	
1"	1 3/4"	1 1/4"	
1 1/8"	2"	1 1/2"	
1 1/4"	2 1/4"	1 5/8"	
OVER 1 1/4"	1 3/4" x DIA.	1 1/4" x DIA.	

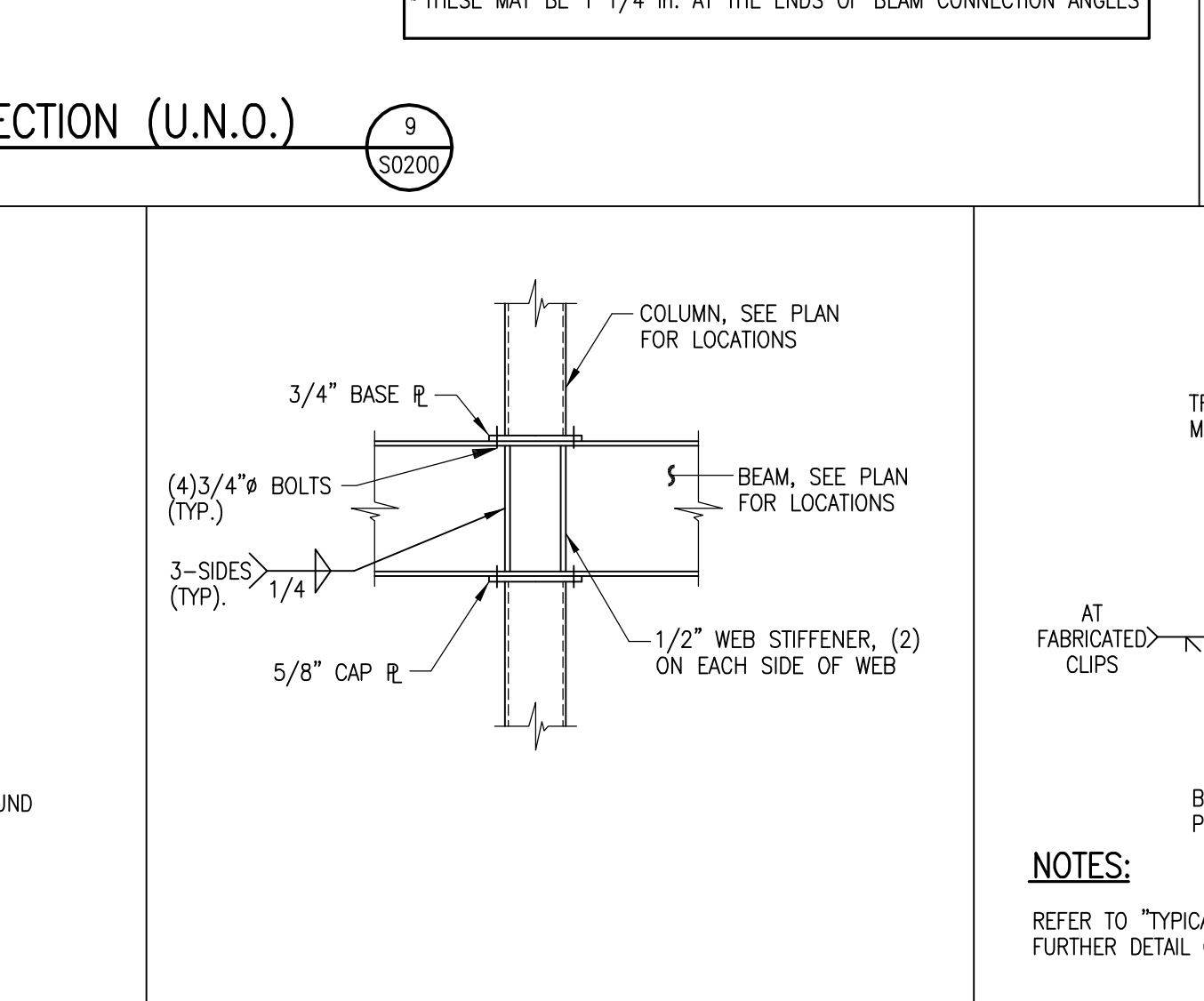
*ALL EDGE DISTANCES IN THIS COLUMN MAY BE REDUCED 1/8 IN. WHEN THE HOLE IS AT A POINT WHERE STRESS DOES NOT EXCEED 25% OF THE MAX. DESIGN STRENGTH IN THE ELEMENT
*THESE MAY BE 1 1/4 IN. AT THE ENDS OF BEAM CONNECTION ANGLES



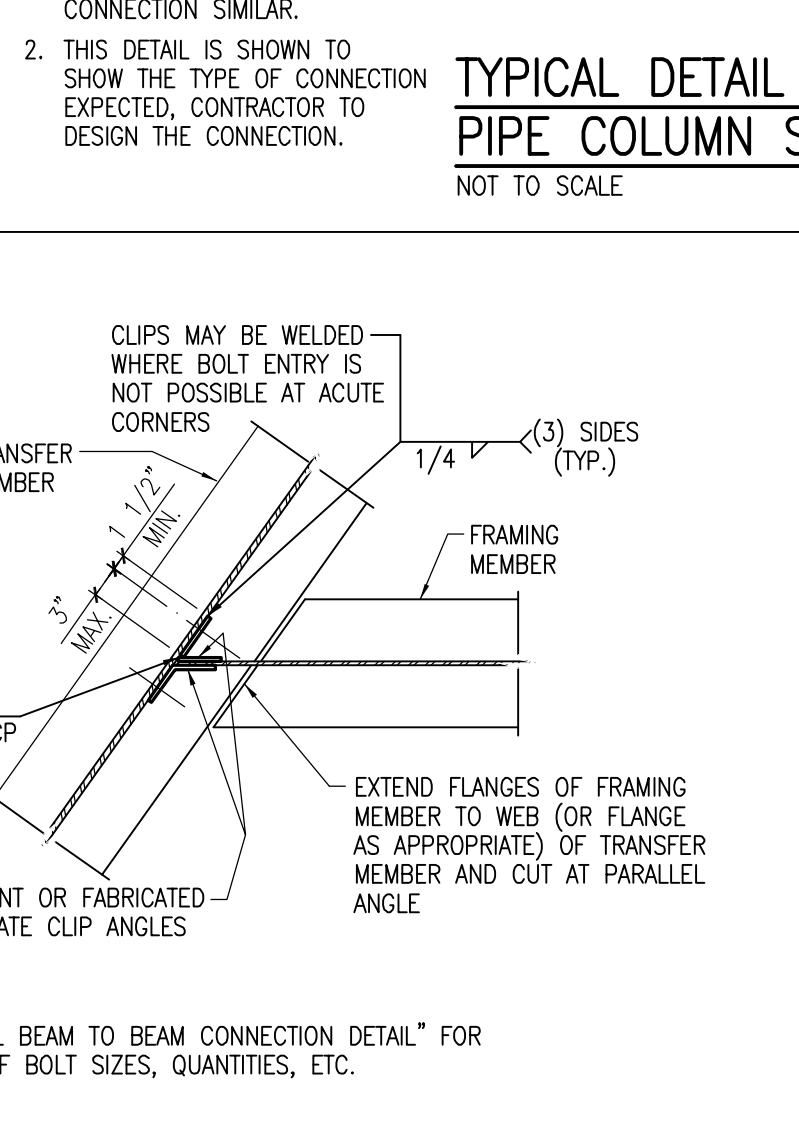
TYPICAL DETAIL - BEAM TO TUBE OR PIPE COLUMN SHEAR CONNECTION (U.N.O.) (10) S0200
NOT TO SCALE



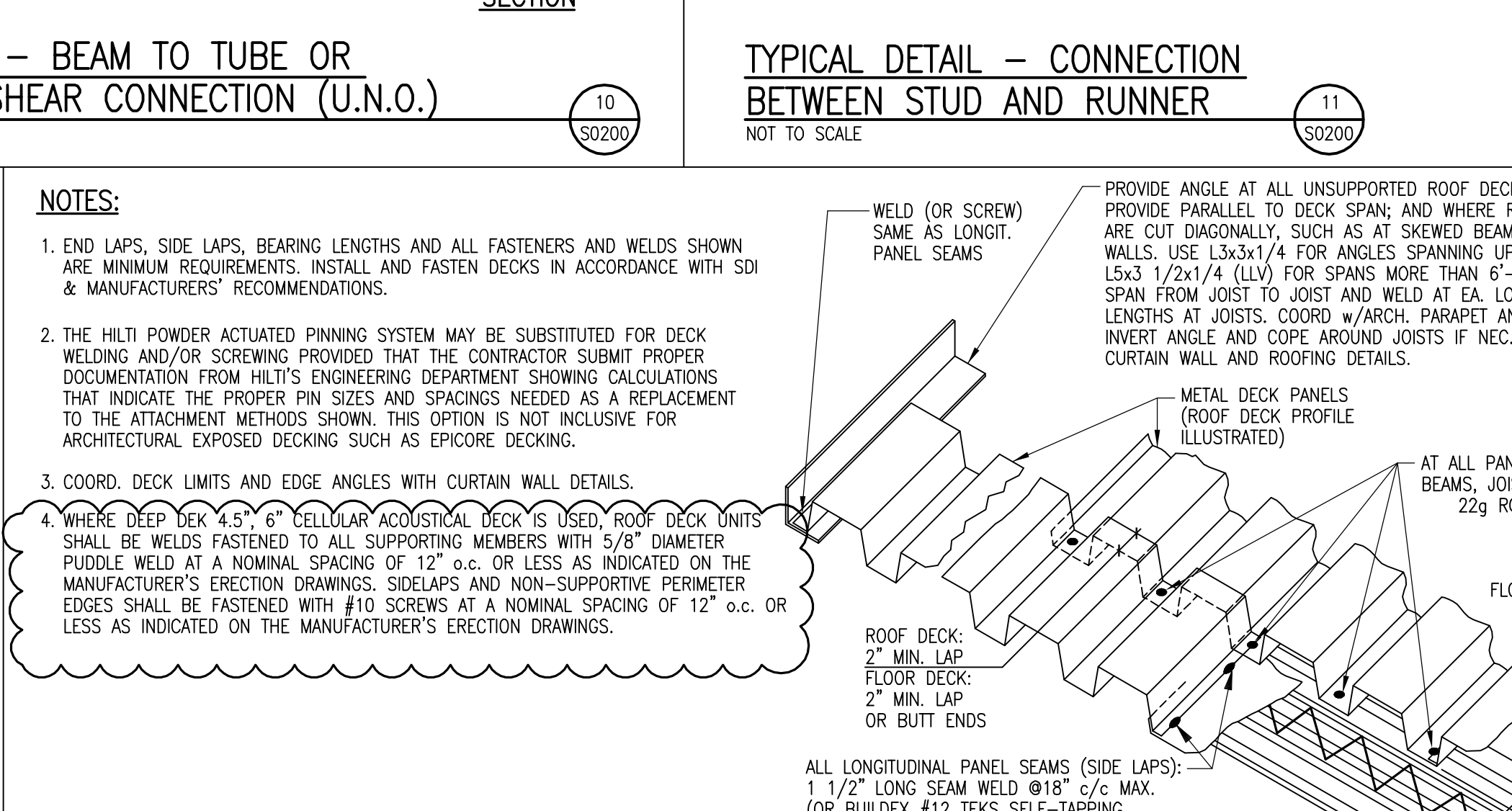
TYPICAL DETAIL - UTILITY PENETRATIONS THRU STEEL BEAM (13) S0200
NOT TO SCALE



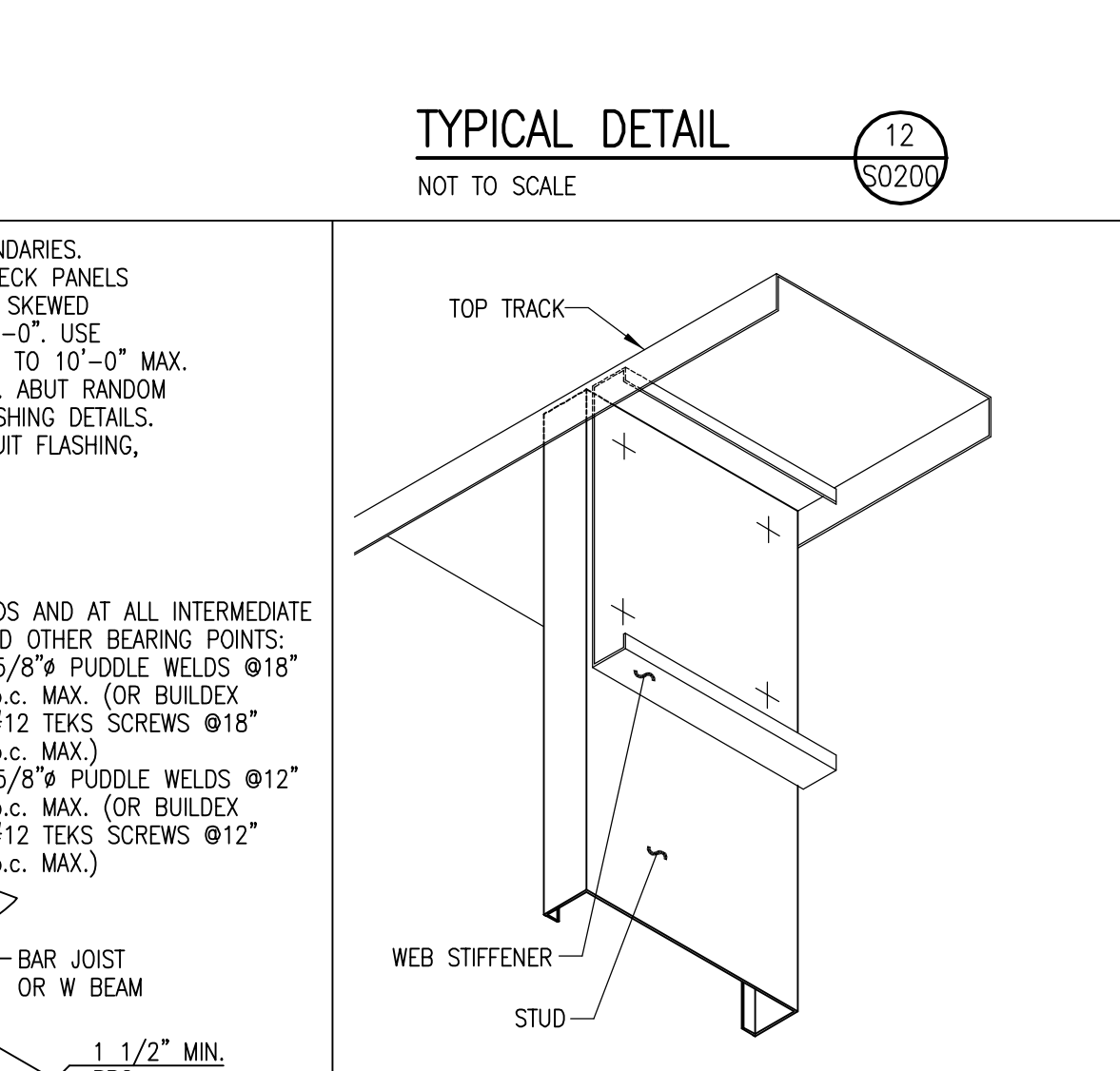
TYPICAL DETAIL - COLUMN - BEAM - COLUMN CONNECTION (14) S0200
NOT TO SCALE



TYPICAL SKEWED BEAM TO BEAM CONNECTION DETAIL (U.N.O.) (15) S0200
NOT TO SCALE



METAL DECK LAYOUT, SUPPORT AND FASTENING PATTERN DETAILS (16) S0200
NOT TO SCALE



TYPICAL DETAIL - WALL STUD WEB STIFFENER ELEVATION (17) S0200
NOT TO SCALE

University of Louisville - Student Recreation Center (Phase #3 - Construction Set) Louisville, Ky

Omni ARCHITECTS
212 North Upper Street
Lexington, Kentucky 40507-1001
p 859.252.6664 f 859.253.2358
www.omniarchitects.com

CANNONDESIGN
UNIVERSITY OF LOUISVILLE

RANGASWAMY AND ASSOC., INC.
Suite 420, The Landmark Building
1000 S. 1st St., Louisville, KY 40202
phone: (502) 582-2212
fax: (502) 582-2240 - www.rangaswamy.com

Revision Date

#	Revision	Date

Drawing Name: TYPICAL DETAILS
U of L Project Number: Omni - 1105.00 Cannon - 03667.00
Project Number: 03667.00
Date: March 02, 2012
Checked By: ANTHONY
Drawn By: POK

S0200