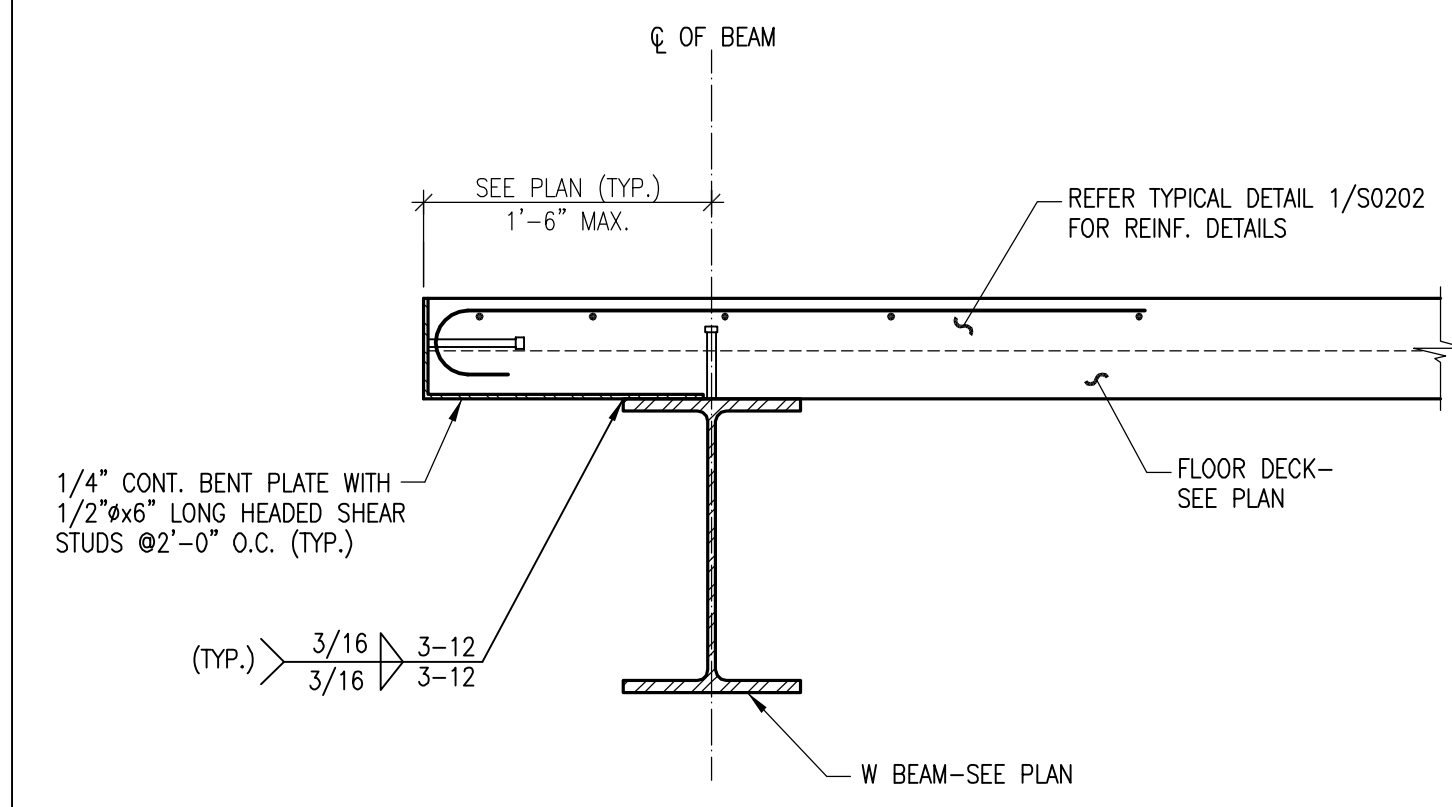


COMPOSITE DECK TYPE	TOTAL SLAB DEPTH	STUD DETAIL*	REMARKS
1. VULCRAFT - 3VU 18 GAGE GALV.	6 1/4" THK.	3/4" x 1/2" LENGTH	REF. NOTE 4.6
2. EPIC WIDECK - EDCP750A 16/18 GAGE GALV.	10 1/2" THK.	3/4" x 9" LENGTH	REF. NOTE 5.6

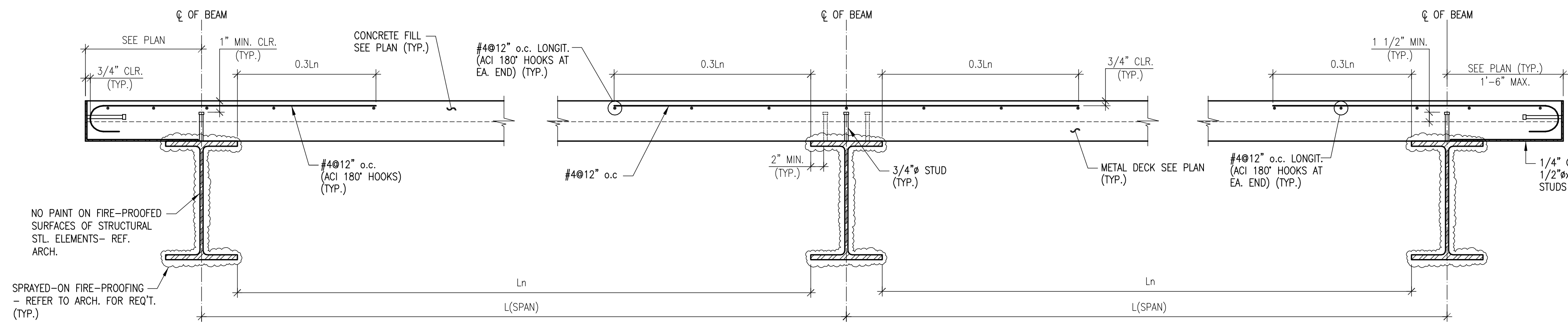
* FOR NUMBER OF STUDS - SEE PLAN

NOTES:

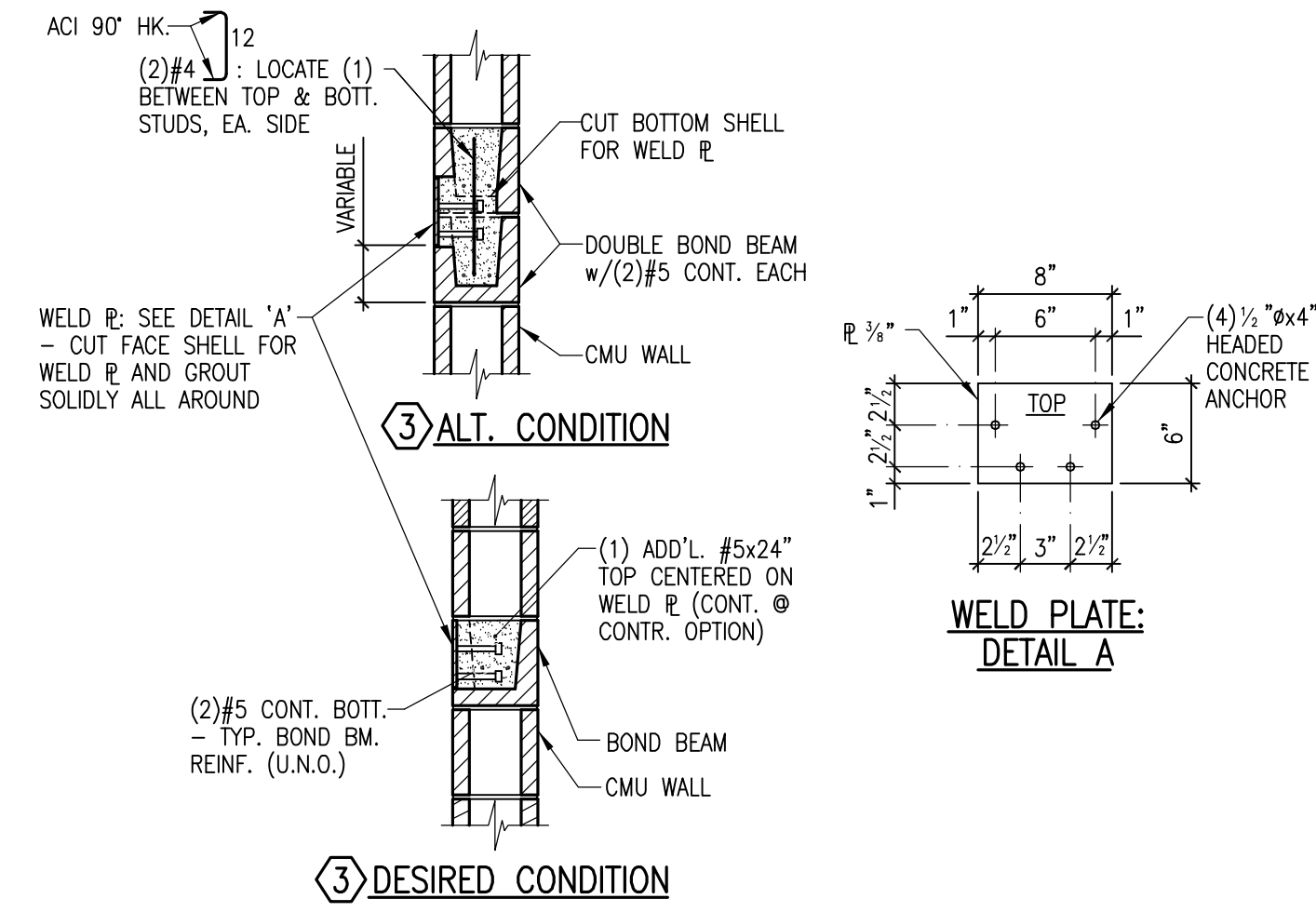
- STUDS ARE TO BE PROPRIETARY MILD-STEEL SHEAR CONNECTORS AND ARE TO BE WELDED THROUGH THE METAL DECK USING PROPRIETARY EQUIPMENT AND FERRULES. SUBMIT DOCUMENTATION FOR REVIEW BY ARCHITECT.
- LOCATE SINGLE STUD ROWS ON @ BM. (EA. ROW-OF-DOUBLE STUDS, WHERE REQUIRED, TO BE LOCATED 2" FROM EDGE OF FLANGE) - SEE PLANS FOR MIN. NUMBER OF STUDS PER BEAM.
- SIMILAR CONDITION WHERE DECK ORIENTATION PARALLEL TO BEAM.
- AT ALL PANEL ENDS AND AT ALL INTERMEDIATE BEAMS, JOISTS, TRUSSES AND OTHER BEARING POINTS: WHERE NO STUDS INFO. IS PROVIDED PROVIDE 5/8" PUDDLE WELD @ 12" O.C. MAX. (OR BULDEX #12 SCREWS @ 12" O.C. MAX.)
- AT ALL PANEL ENDS AND AT ALL INTERMEDIATE BEAMS, JOISTS, TRUSSES AND OTHER BEARING POINTS: WHERE NO STUDS INFO. IS PROVIDED PROVIDE 3/4" ARC PUDDLE WELD @ 12" O.C. MAX. (OR BULDEX #12 SCREWS @ 12" O.C. MAX.)
- SIDE LAPS: 1 1/2" LONG SEAM WELD @ 18" C/C MAX. (OR BULDEX #12 TEXS SELF-TAPPING SCREWS @ 18" C/C MAX.)
- SUBMIT SHOP DRAWINGS OF SHEAR CONNECTORS FOR ENGINEERS APPROVAL



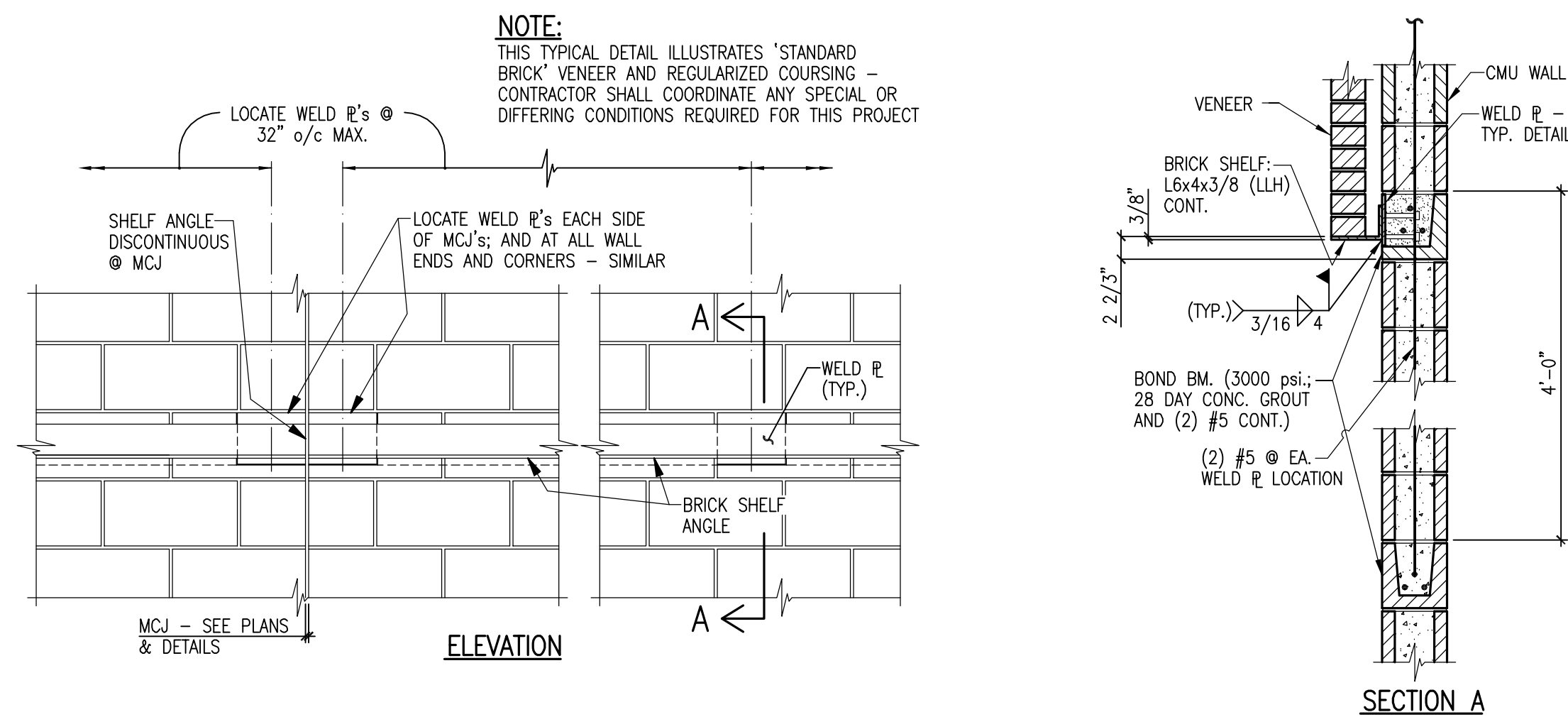
TYPICAL COMPOSITE SLAB CLOSURE DETAIL
NOT TO SCALE



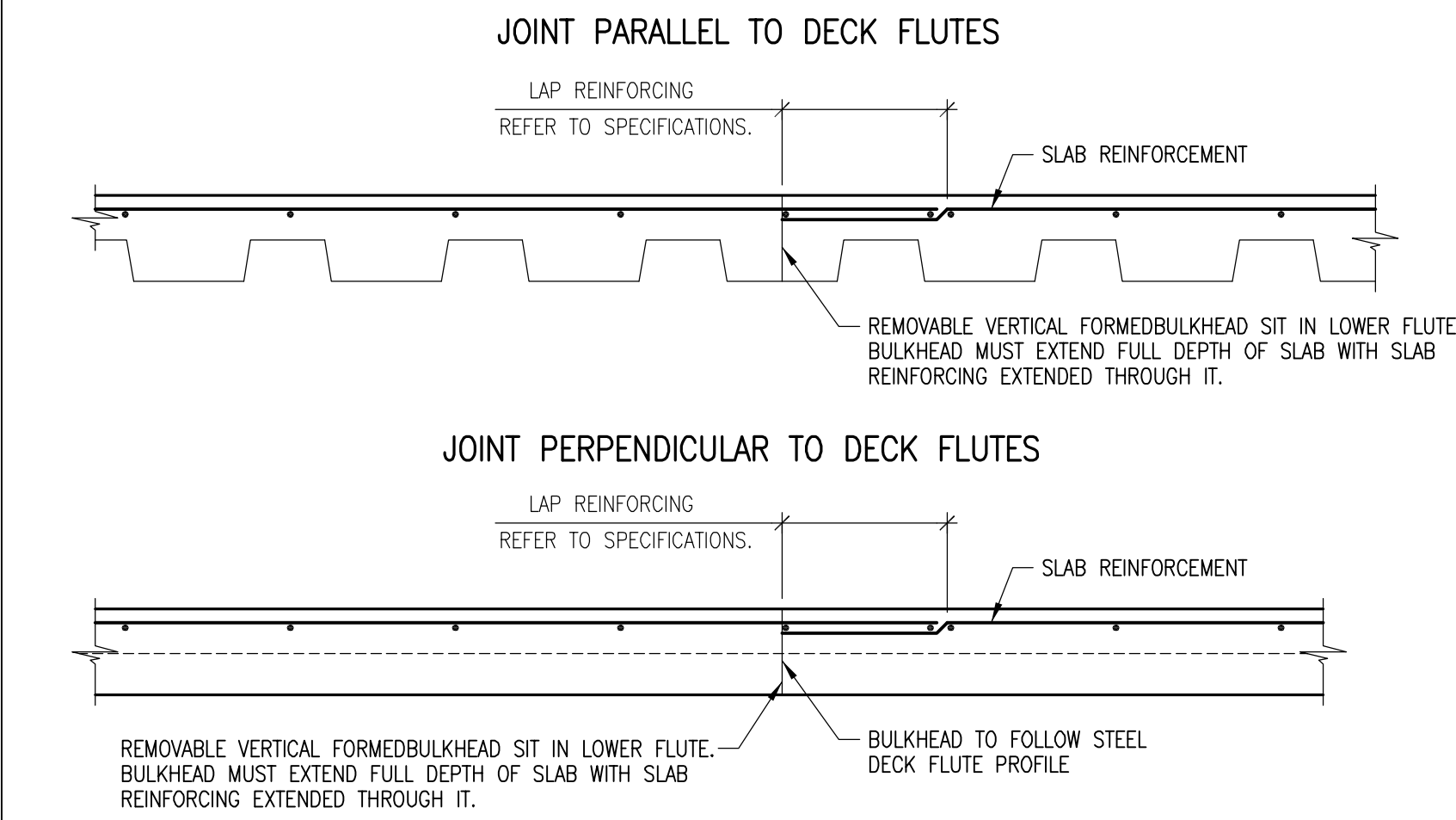
TYPICAL COMPOSITE SLAB REINF. DETAIL
NOT TO SCALE



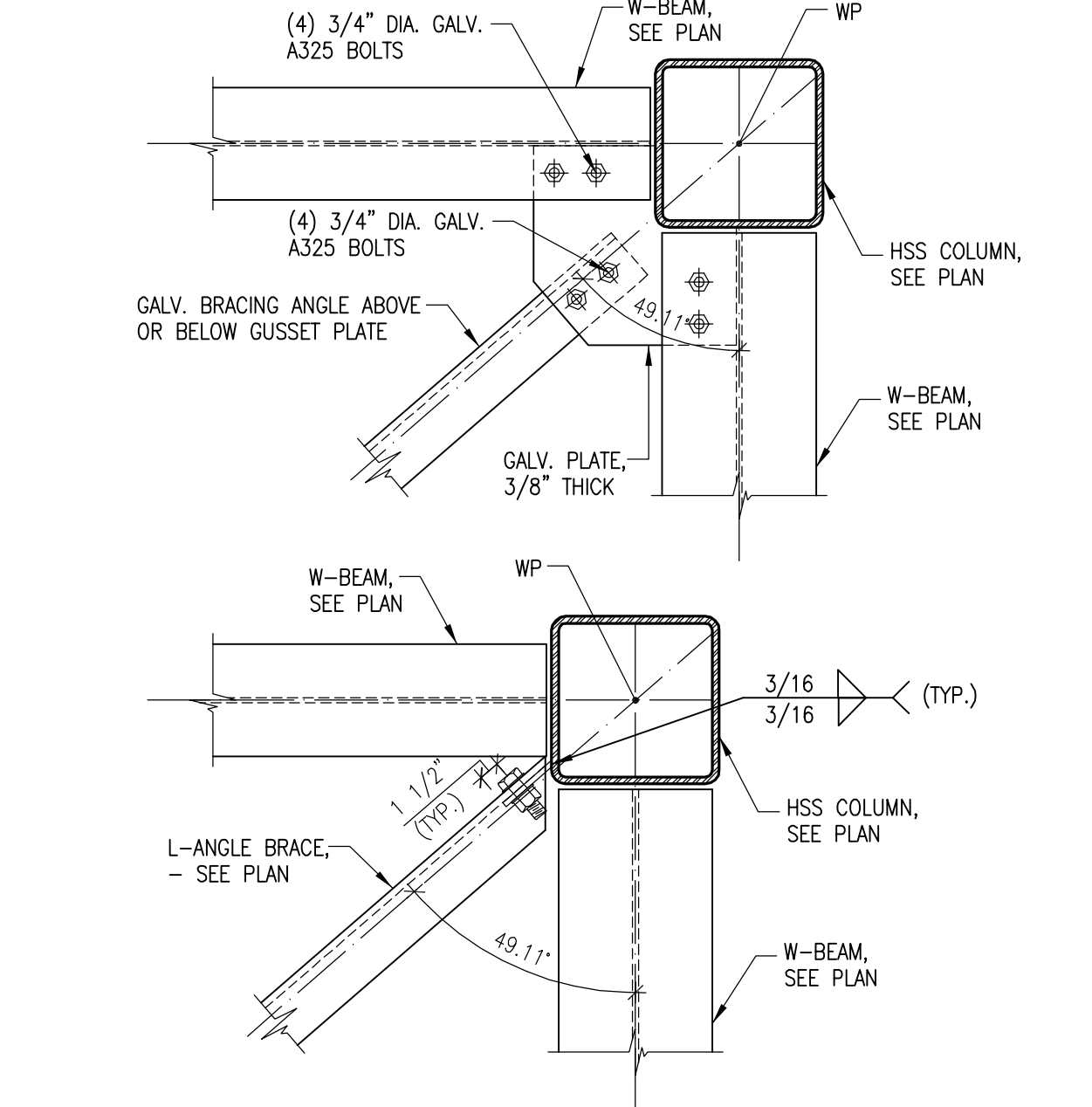
TYPICAL DETAIL - WELD PLATES IN CMU WALLS
NOT TO SCALE



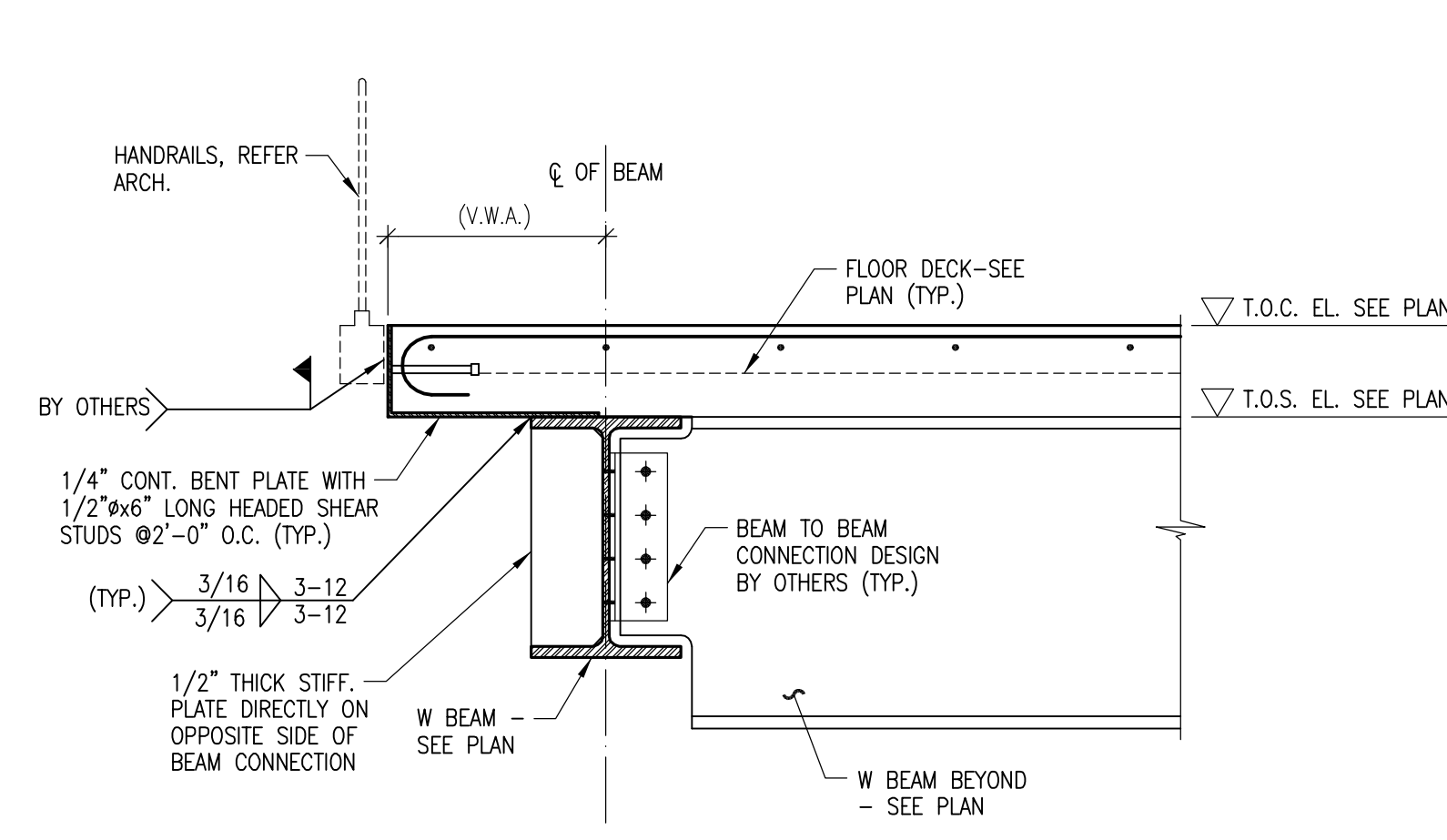
TYPICAL DETAIL - SHELF ANGLE FOR MASONRY VENEERS
NOT TO SCALE



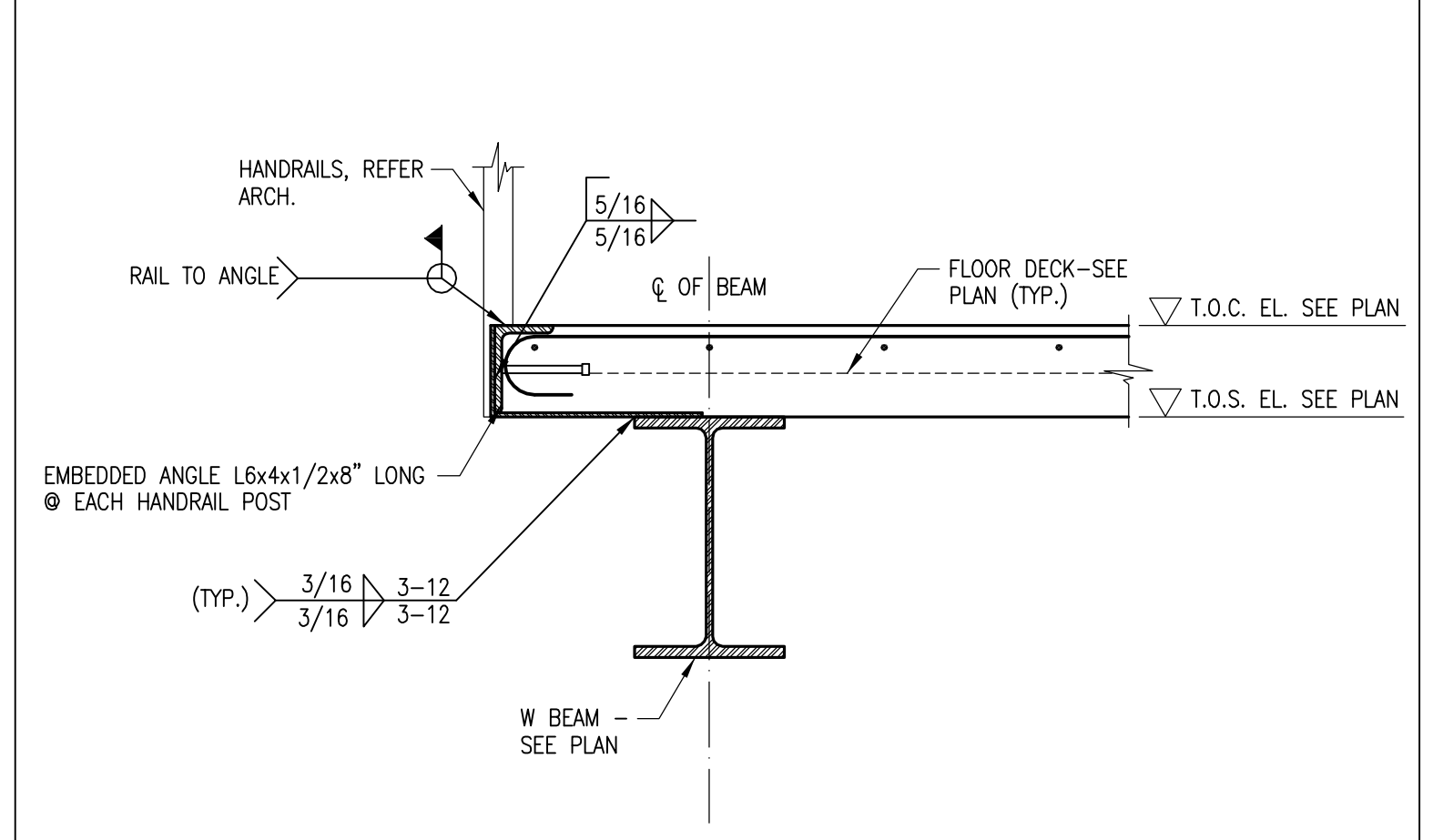
CONSTRUCTION JOINT CONCRETE SLAB ON STEEL DECK
NOT TO SCALE



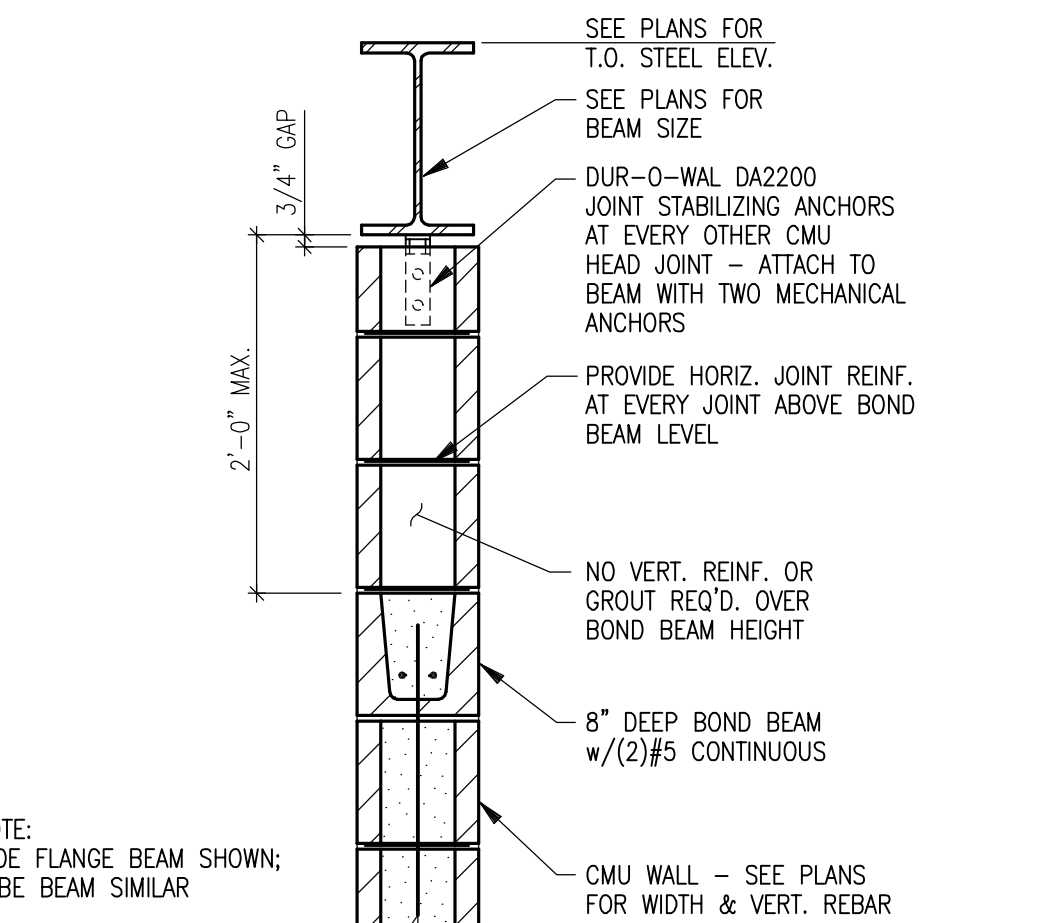
TYP. HORIZONTAL BRACE CONNECTION
NOT TO SCALE



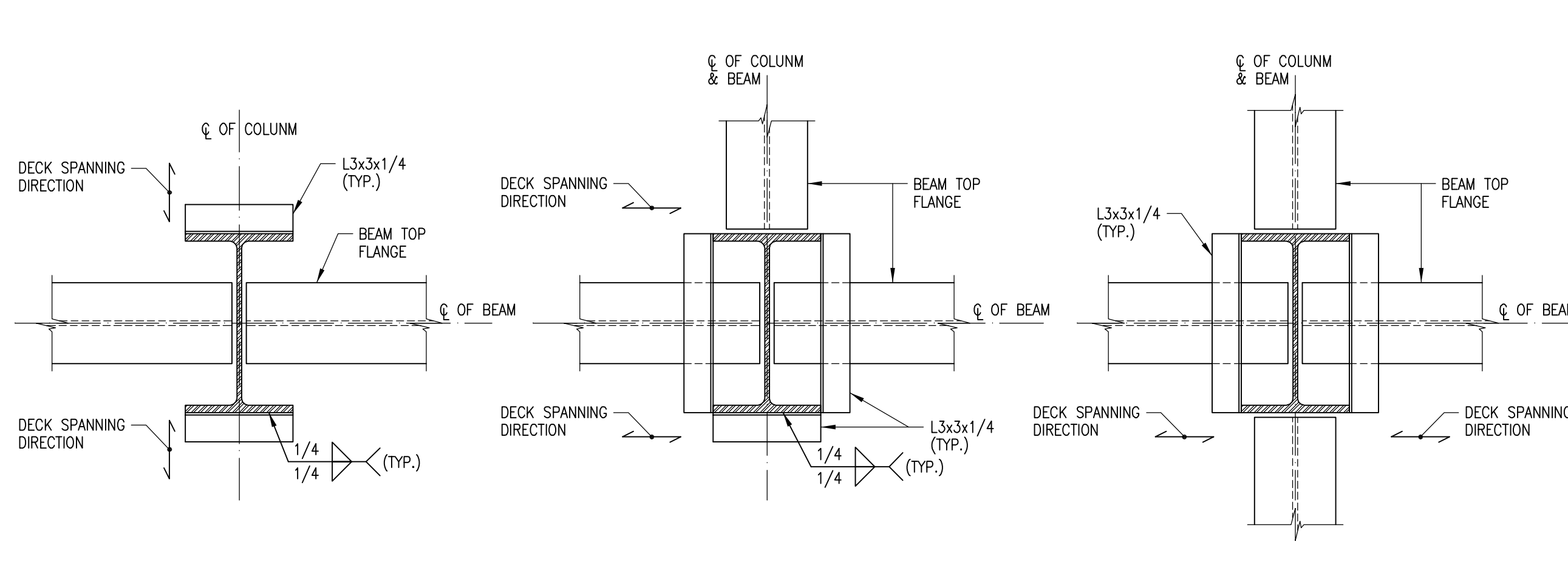
TYPICAL DETAIL HANDRAIL CONNECTION
NOT TO SCALE



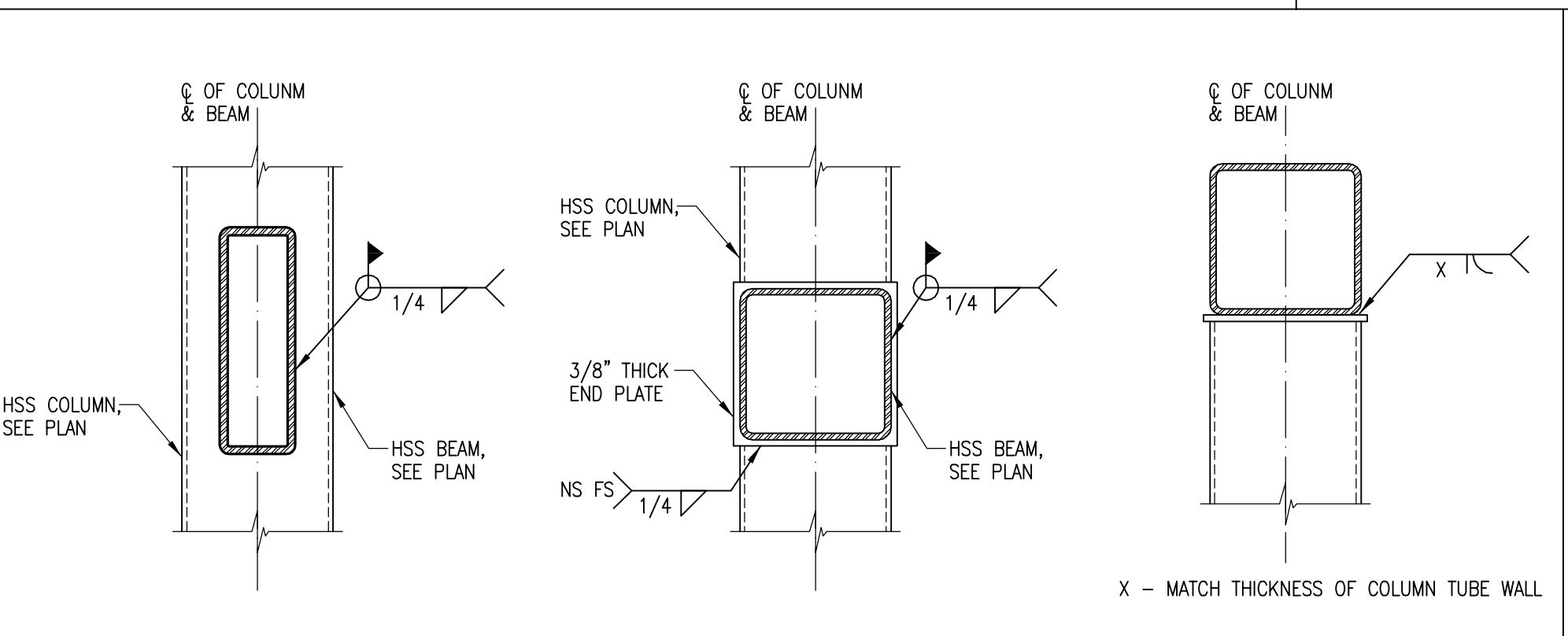
HANDRAIL ATTACHED TO COMPOSITE SLAB
NOT TO SCALE



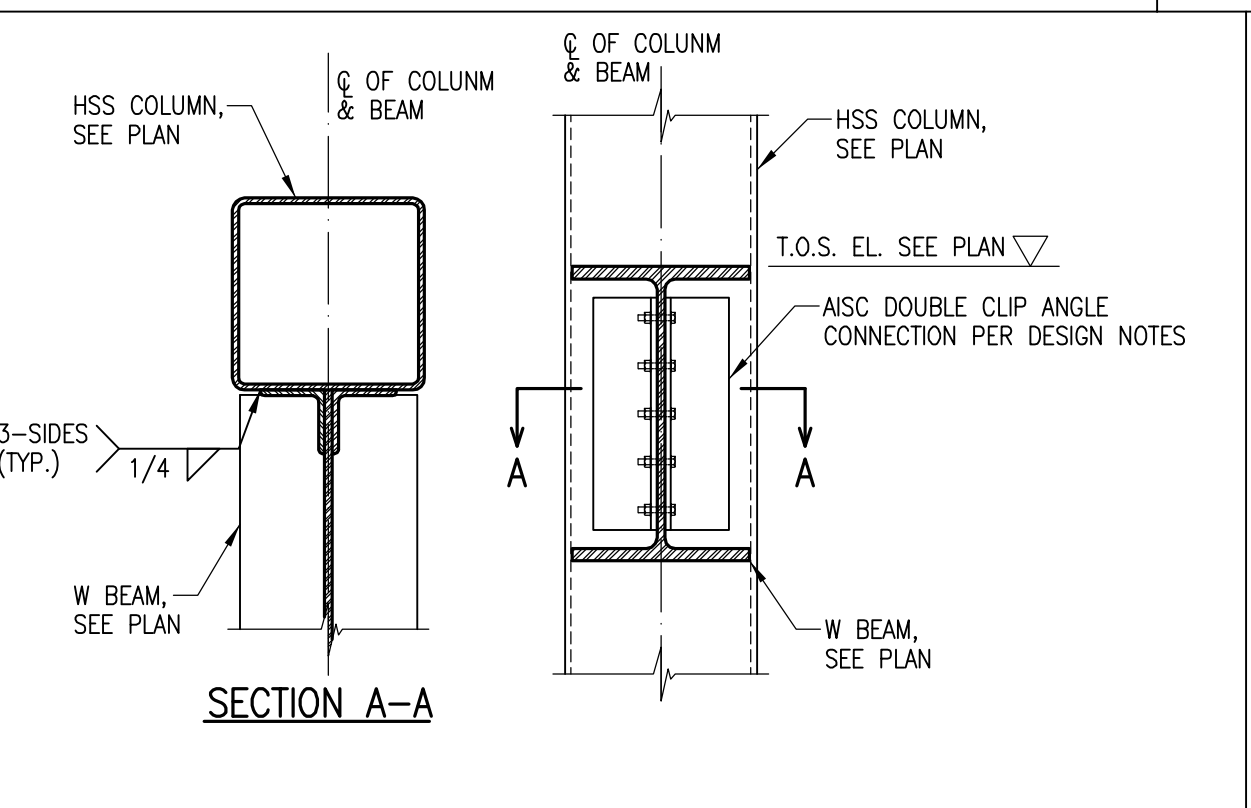
TYPICAL DETAIL - CMU WALL ATTACHMENT TO UNDERSIDE OF STEEL BEAM
NOT TO SCALE



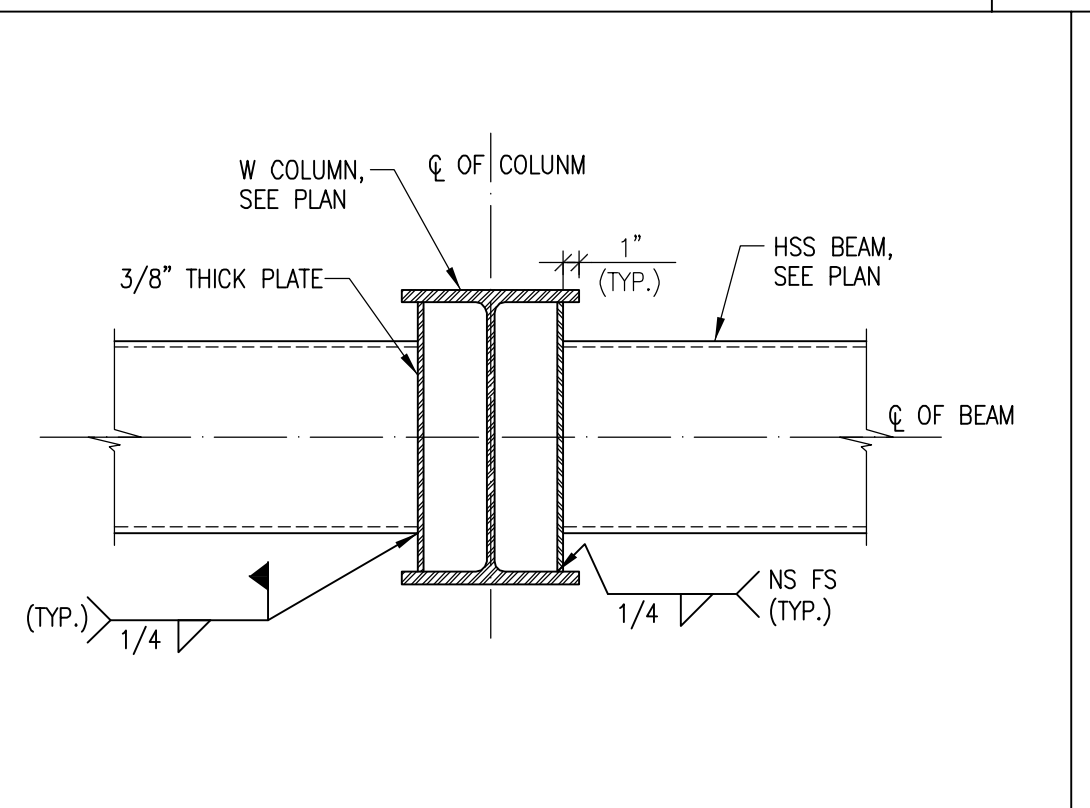
STEEL DECK SUPPORT AT STEEL COLUMN FLOOR OR ROOF
NOT TO SCALE



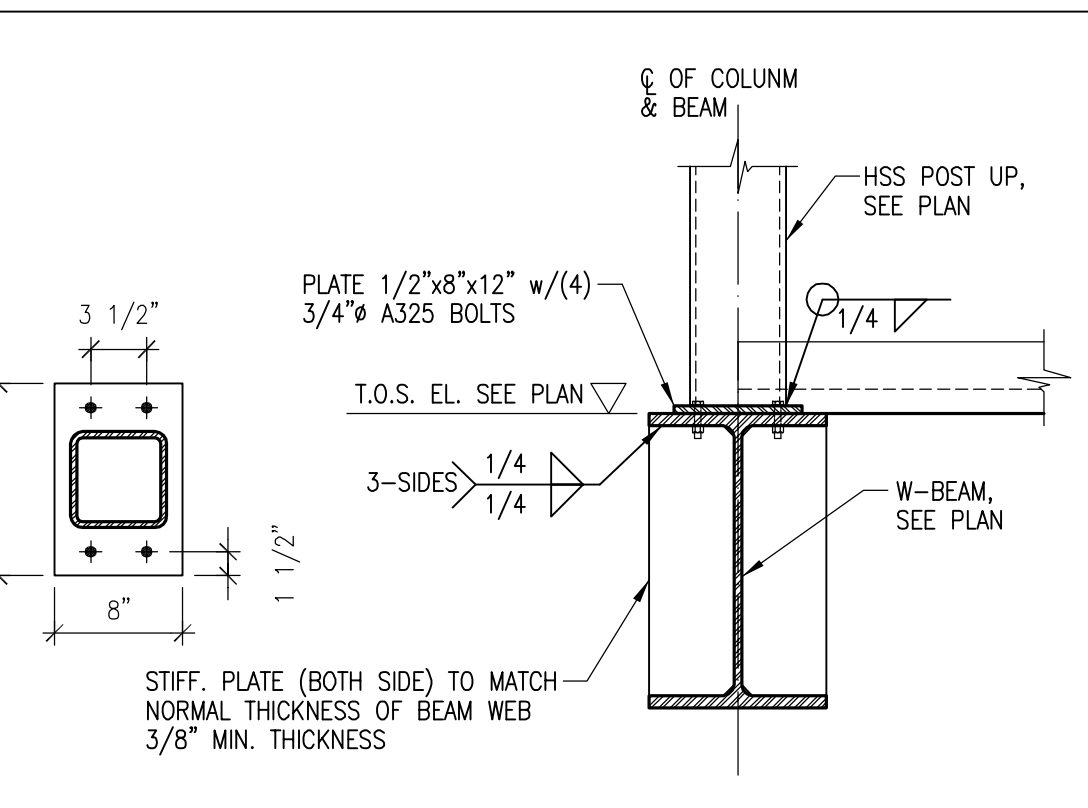
TYP. HSS TO COLUMN CONNECTION
NOT TO SCALE



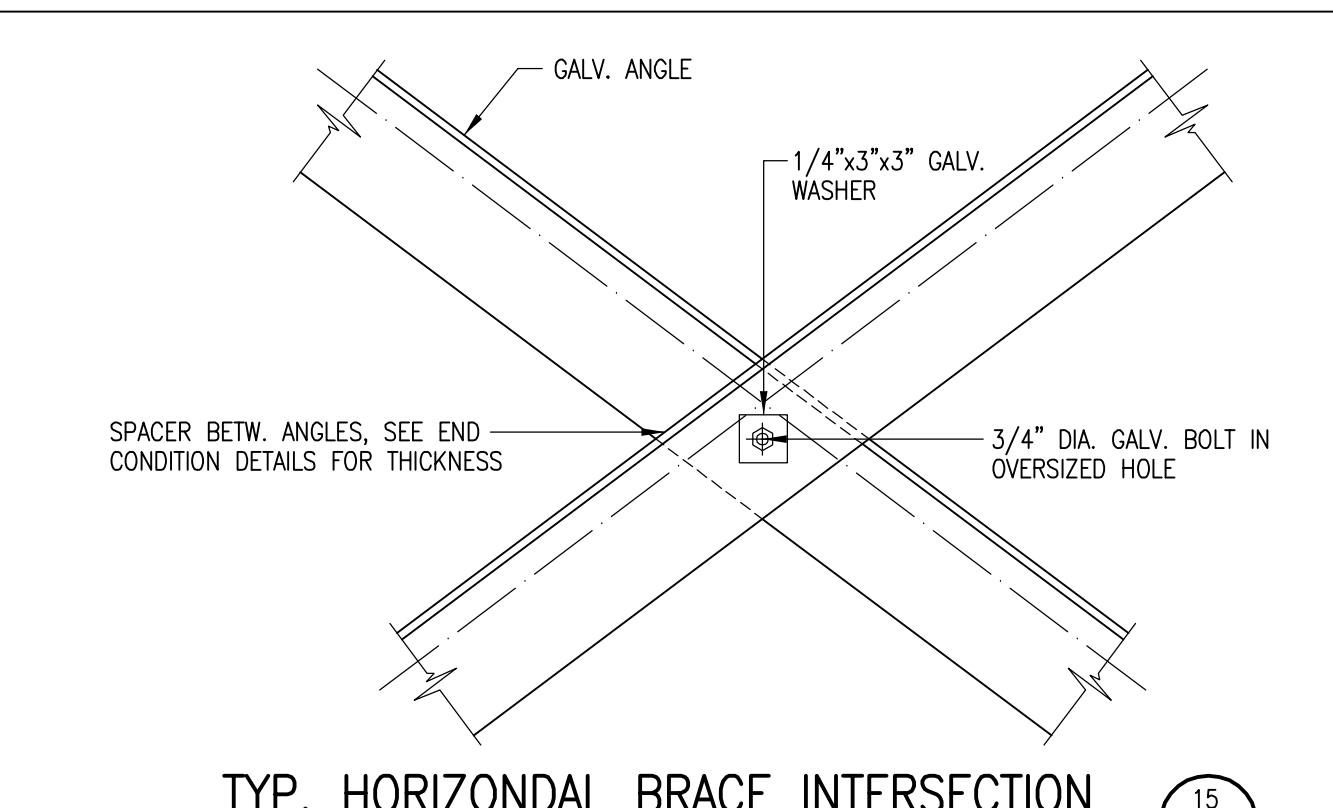
TYP. W BEAM TO HSS COLUMN CONNECTION
NOT TO SCALE



TYP. HSS TO W-COLUMN CONNECTION
NOT TO SCALE



TYP. POST UP DETAIL
NOT TO SCALE



TYP. HORIZONTAL BRACE INTERSECTION
NOT TO SCALE

DISCLAIMER NOTE:
THIS SET OF CONSTRUCTION DRAWINGS HAS BEEN UPDATED TO INCLUDE ANY CHANGES ISSUED THROUGH ADDENDUM OR OTHER MEANS. EVERY EFFORT HAS BEEN TAKEN TO INCLUDE ALL CHANGES TO DATE. THE CONTRACTOR IS STILL RESPONSIBLE FOR PROVIDING ANY ITEMS THAT WERE SHOWN AS PART OF THE ORIGINAL BID SET THAT MAY HAVE BEEN OVERLOOKED AND NOT INCLUDED IN THIS SET.

<p>Omni ARCHITECTS</p> <p>212 North Upper Street Lexington, Kentucky 40507-1001 P 859.252.6664 F 859.253.2358 www.omniarchitects.com</p>	<p>CANNONDESIGN</p>	<p>UNIVERSITY OF LOUISVILLE</p>	
		<p>Drawing Name: TYPICAL DETAILS</p>	<p>Revision Date</p>
		<p>U of L Project Number: 1105.00 Cannon - 08667.00</p> <p>Project Number: 1105.00 Cannon - 08667.00</p> <p>Date: March 02, 2012</p> <p>Drawn By: ANTHONY</p> <p>Checked By: POK</p>	<p>#</p>