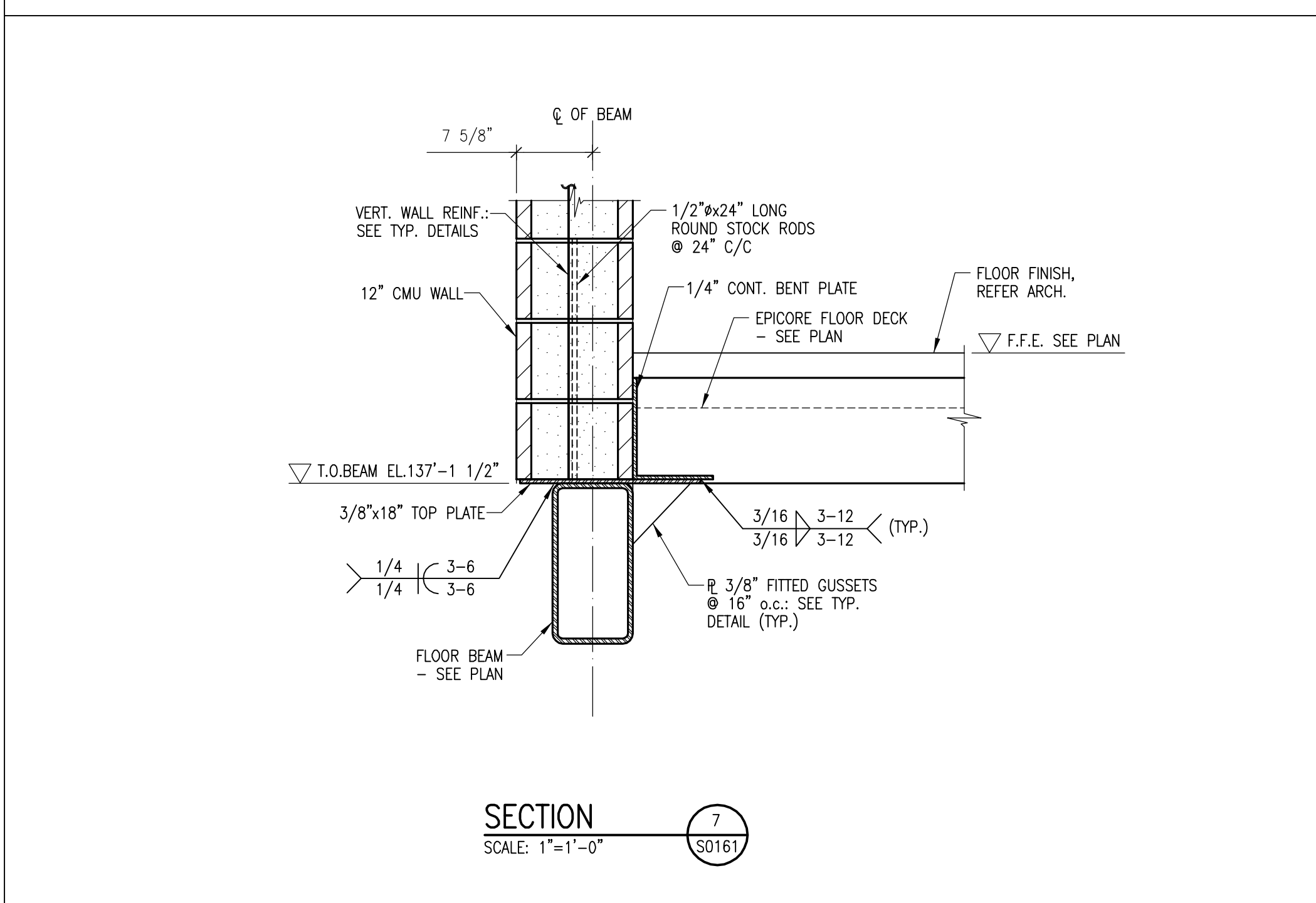
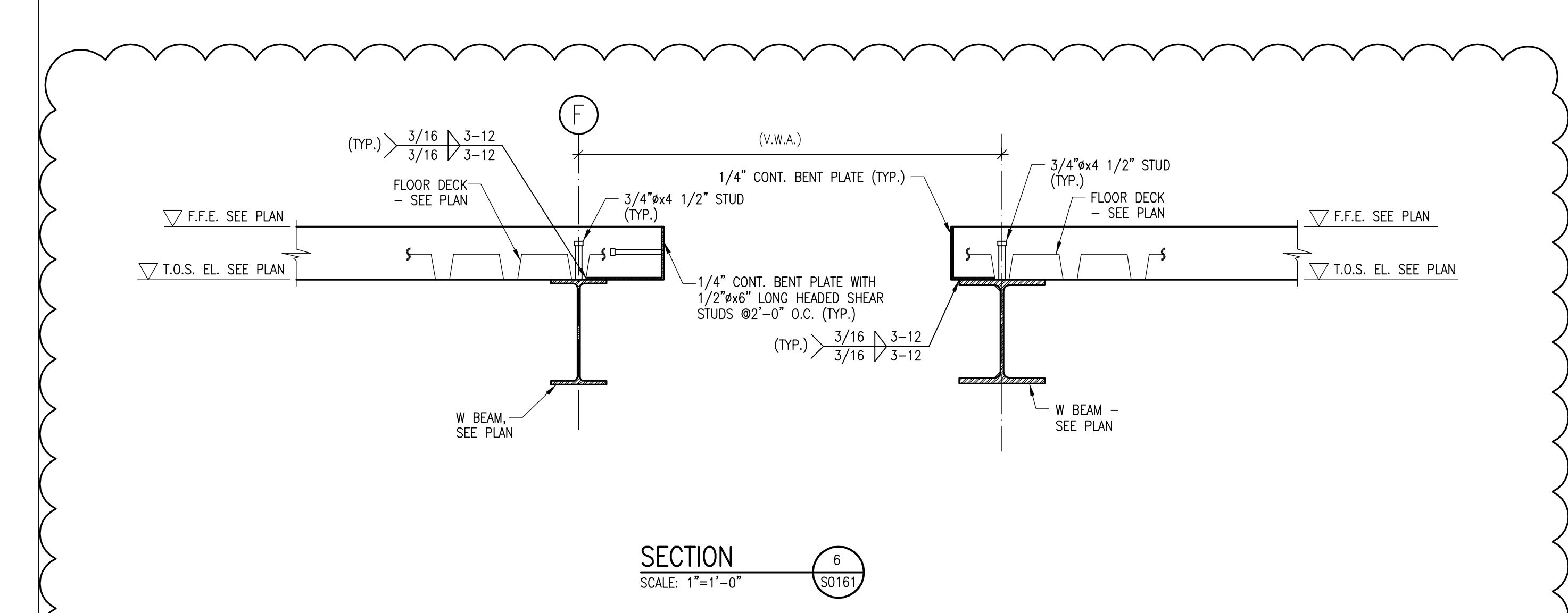
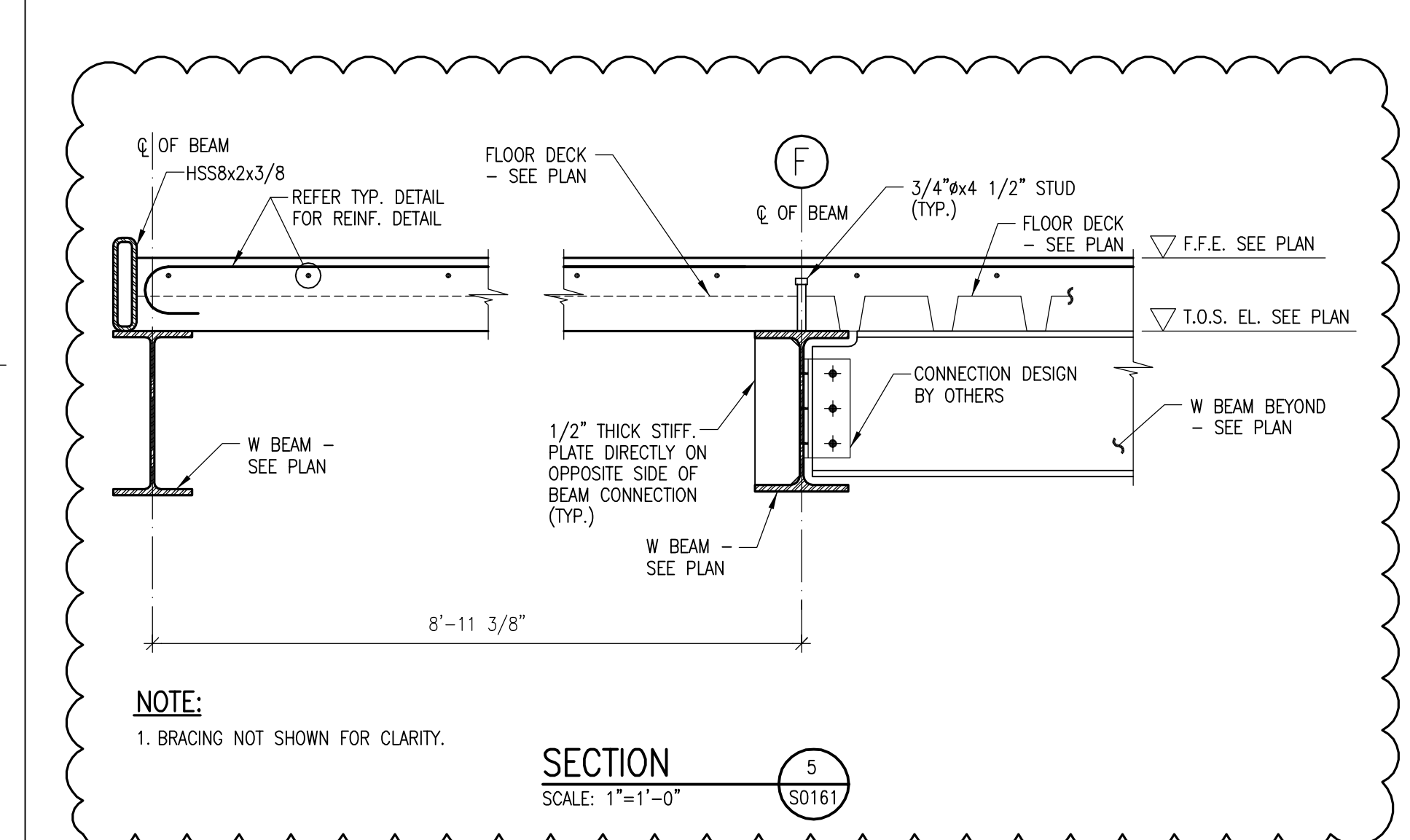
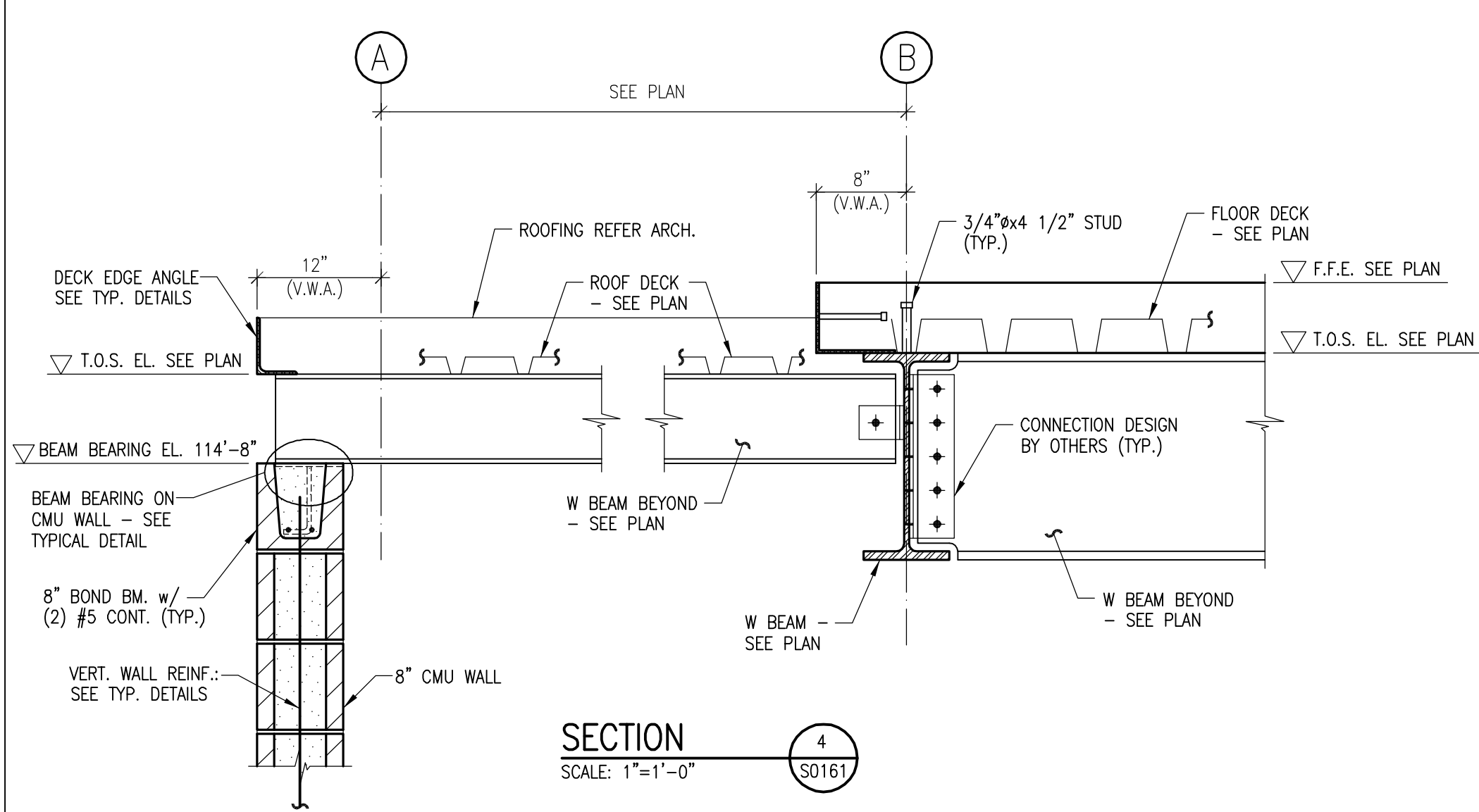
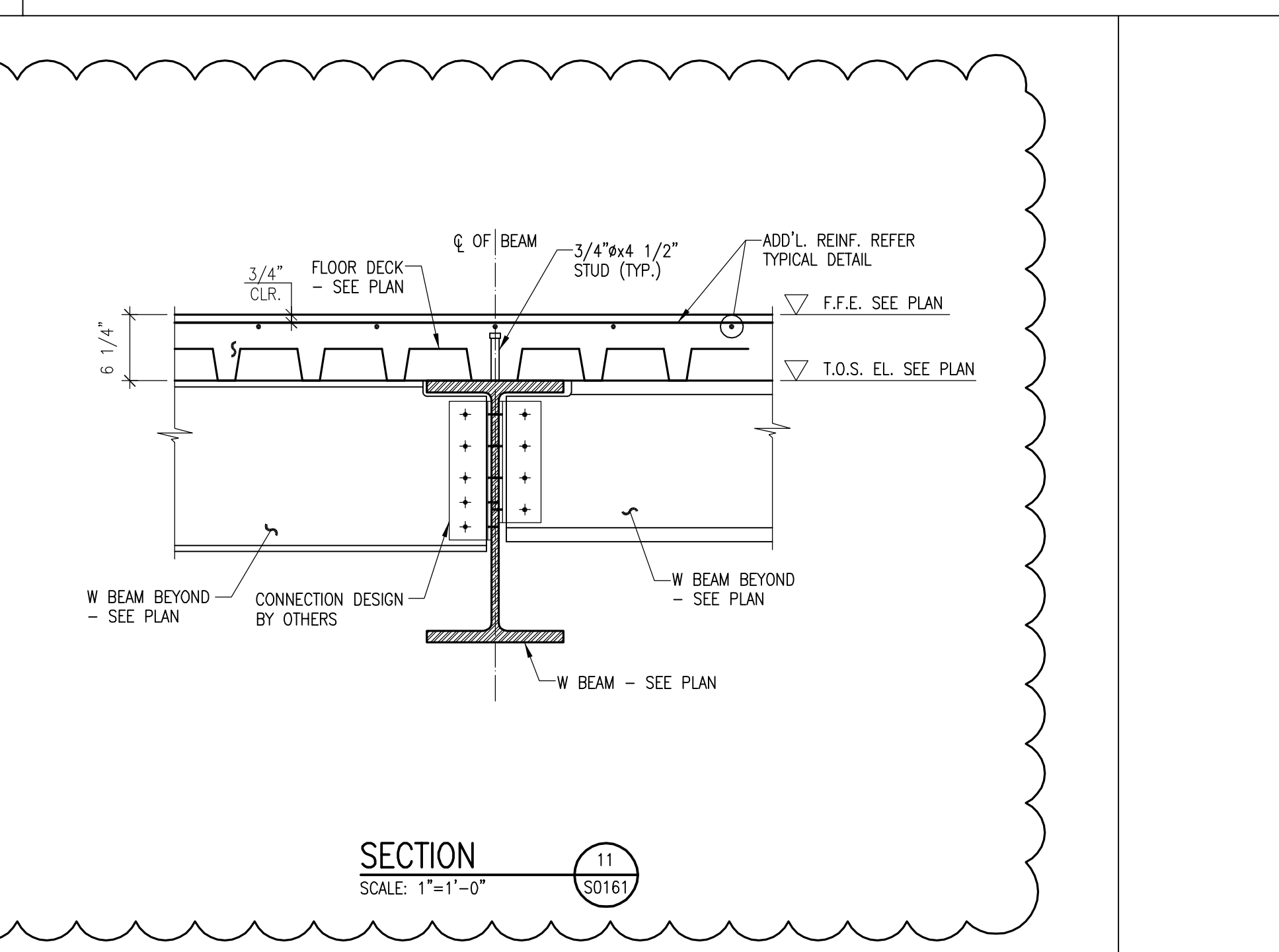
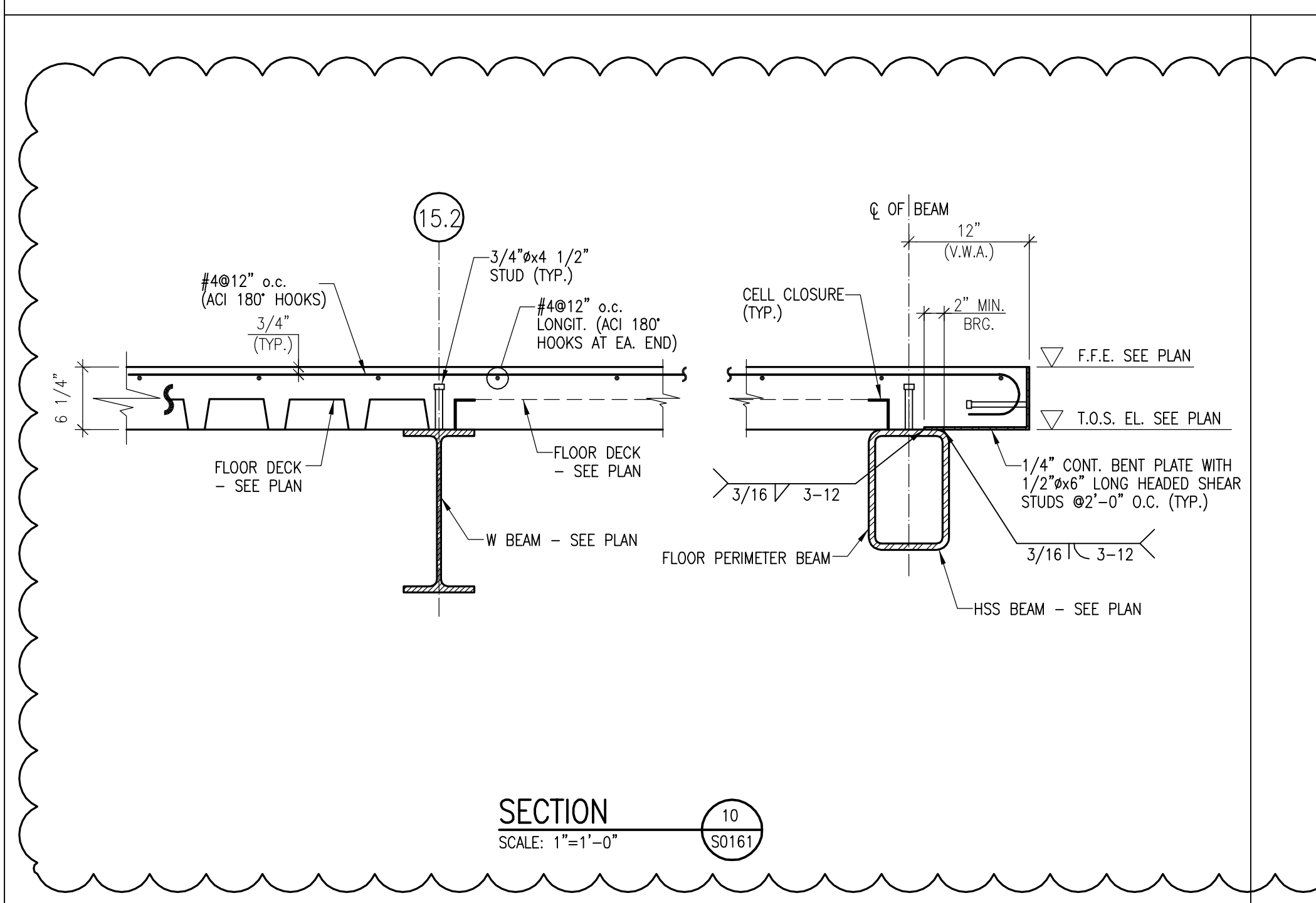
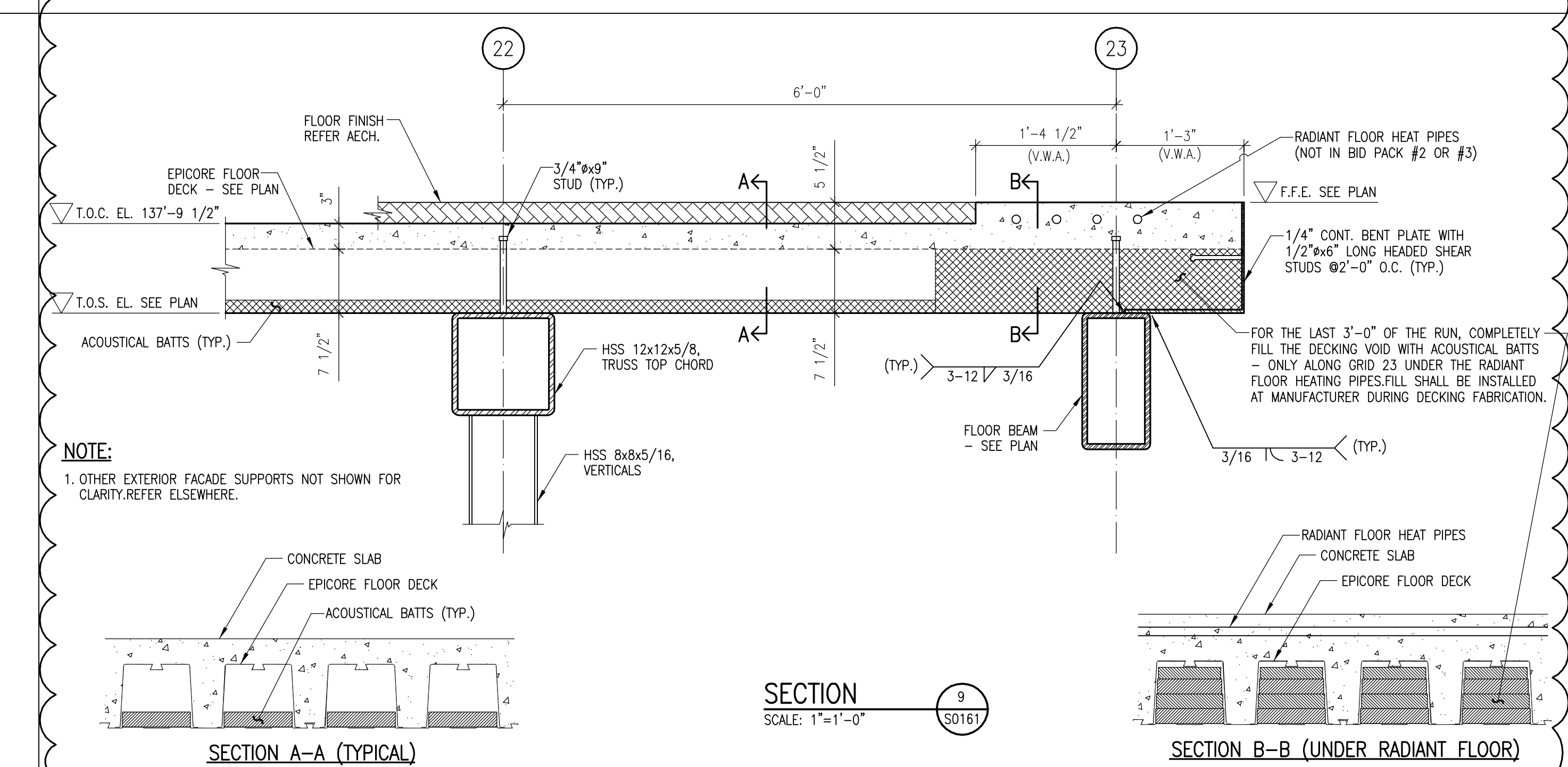


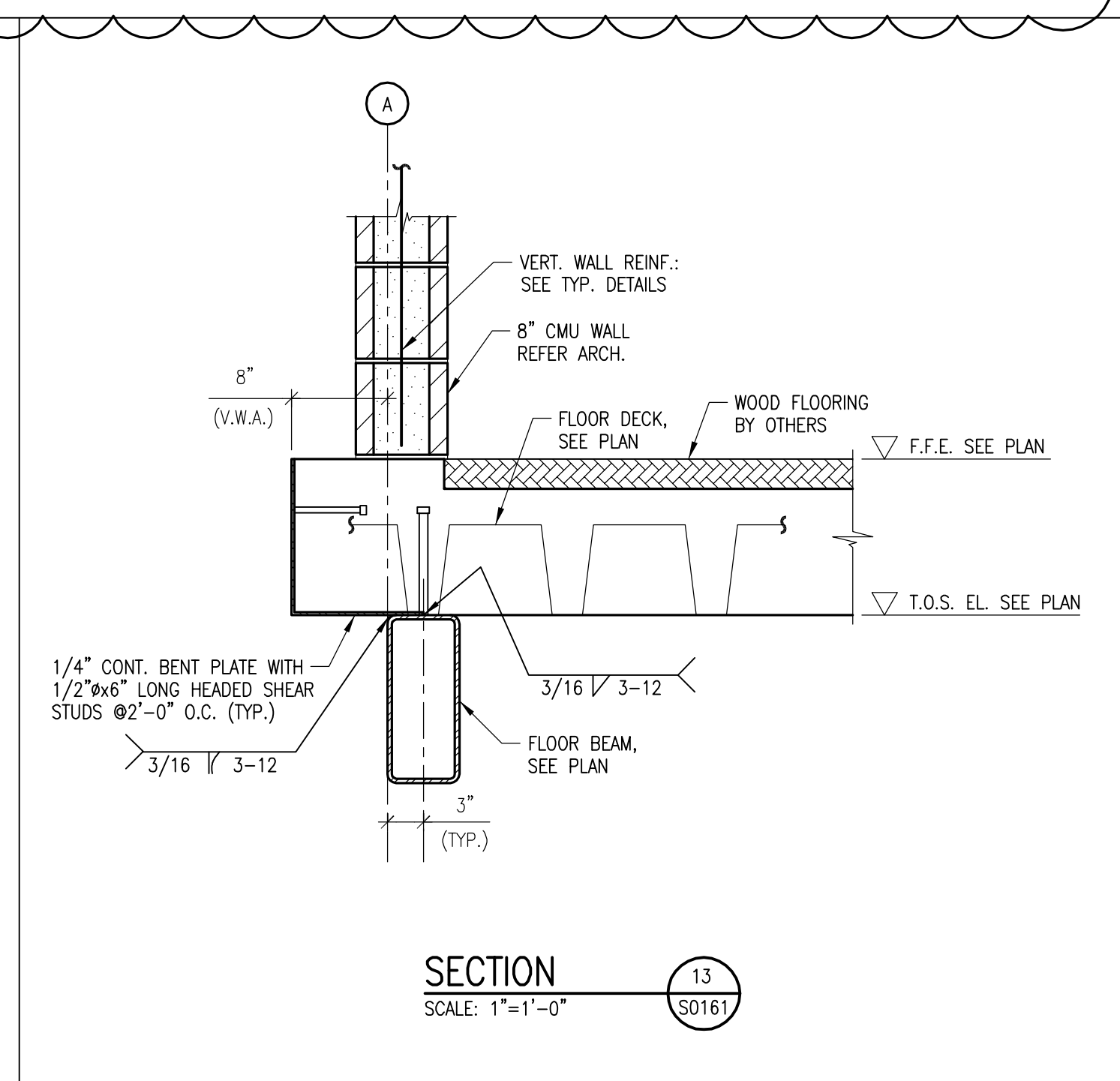
INTENTIONALLY LEFT BLANK



INTENTIONALLY LEFT BLANK



INTENTIONALLY LEFT BLANK



**DISCLAIMER NOTE:**  
THIS SET OF CONSTRUCTION DRAWINGS HAS BEEN UPDATED TO INCLUDE ANY CHANGES ISSUED THROUGH ADDENDUM OR OTHER MEANS. EVERY EFFORT HAS BEEN TAKEN TO INCLUDE ALL CHANGES TO DATE. THE CONTRACTOR IS STILL RESPONSIBLE FOR PROVIDING ANY ITEMS THAT WERE SHOWN AS PART OF THE ORIGINAL BID SET THAT MAY HAVE BEEN OVERLOOKED AND NOT INCLUDED IN THIS SET.

University of Louisville - Student Recreation Center (Phase #4 - Construction Set) Louisville, Ky

212 North Upper Street Lexington, Kentucky 40507-1001 P 859.252.6664 F 859.253.2358 www.omniarchitects.com			
<b>Drawing Name:</b> SECTIONS AND DETAILS		<b>Revision Date</b>	
<b>U of L Project Number:</b> Omni - 1105.000 Cannon - 03667.00			
<b>Project Number:</b> Omni - 1105.000 Cannon - 03667.00			
<b>Date:</b> April 16, 2012			
<b>Drawn By:</b> VPP		<b>Checked By:</b> ANTHONY	

**S0161**

© Cannon Design 2010. All rights reserved. This document may be reproduced or utilized in any form, without prior written authorization by The Cannon Corporation.