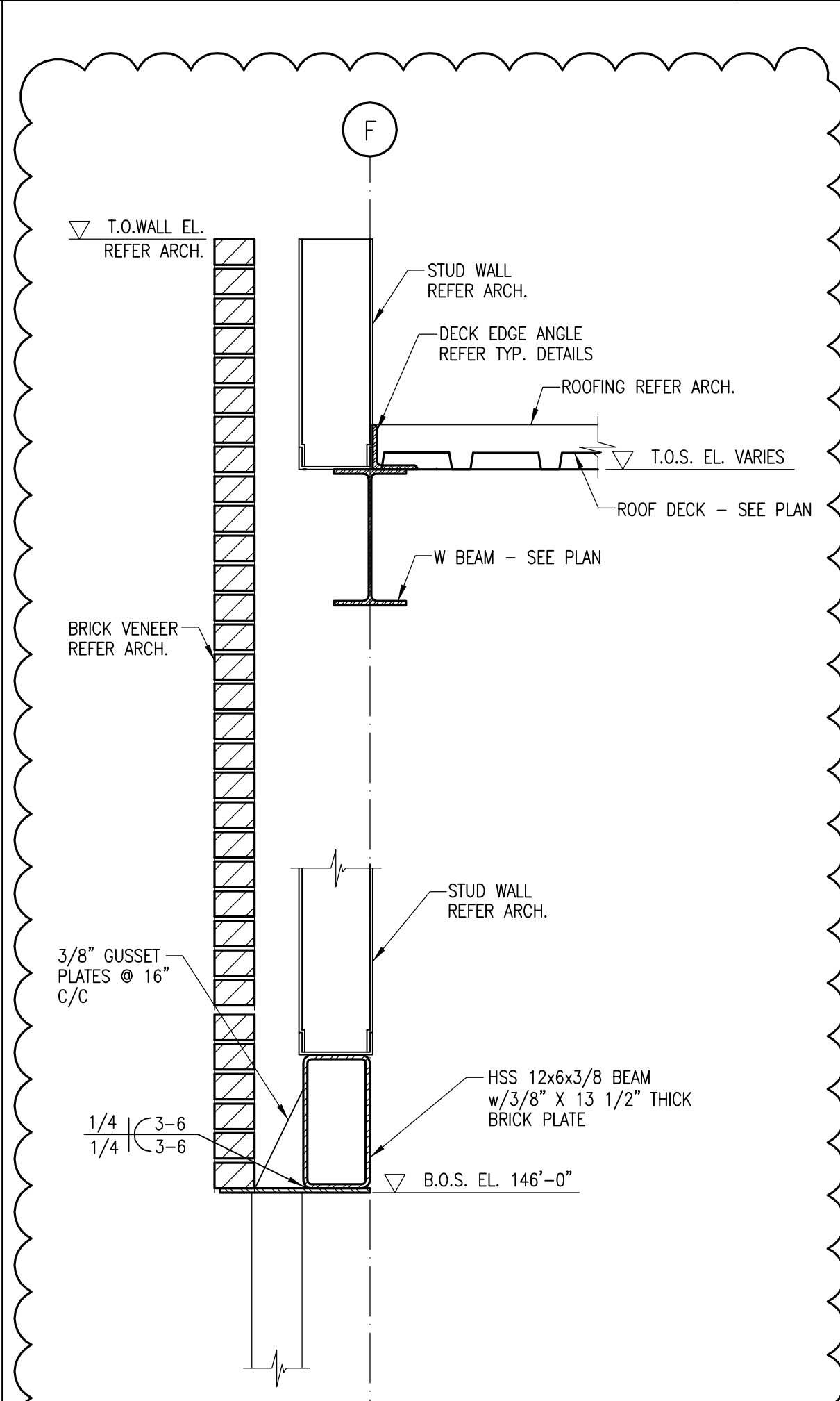
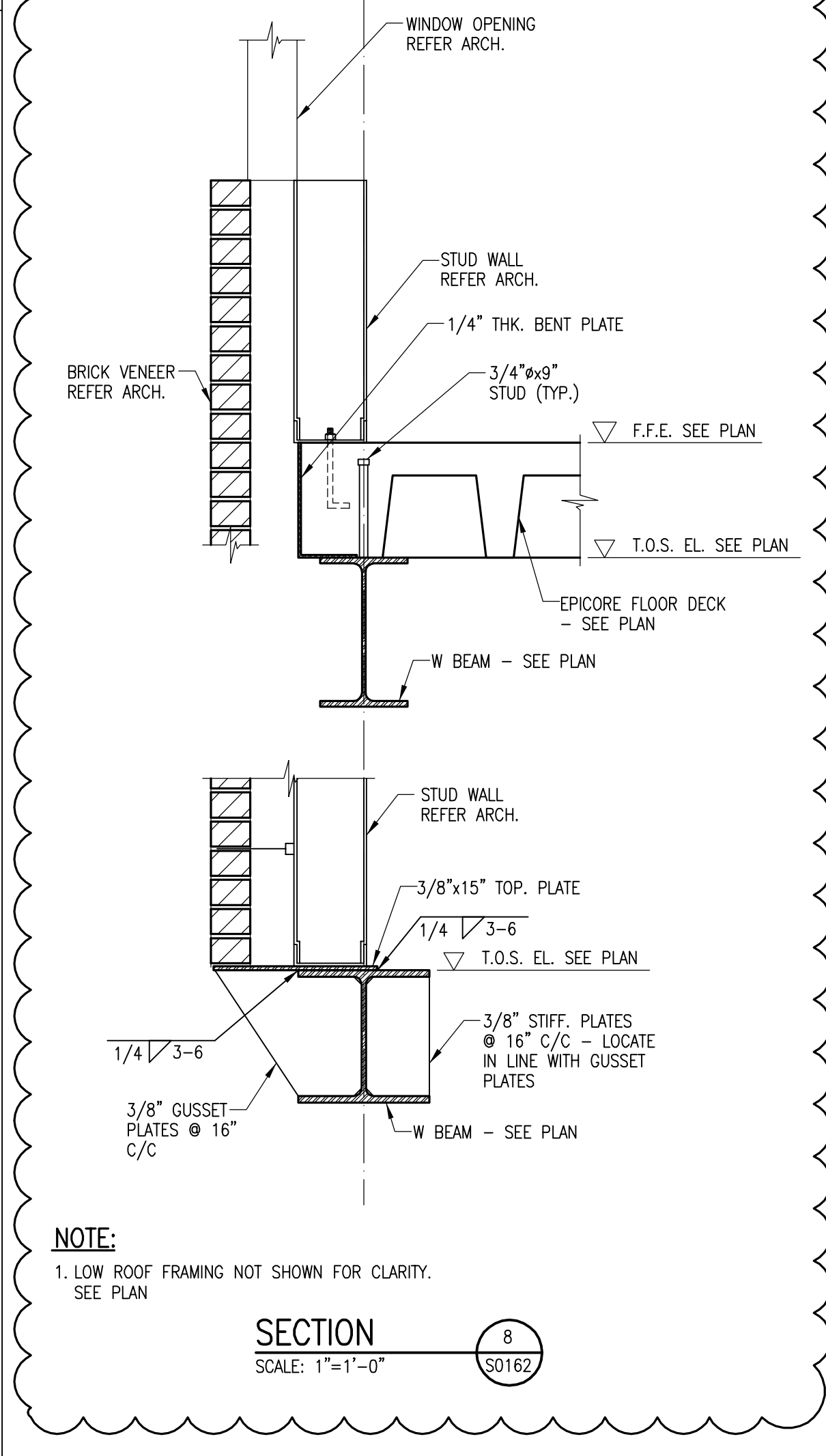
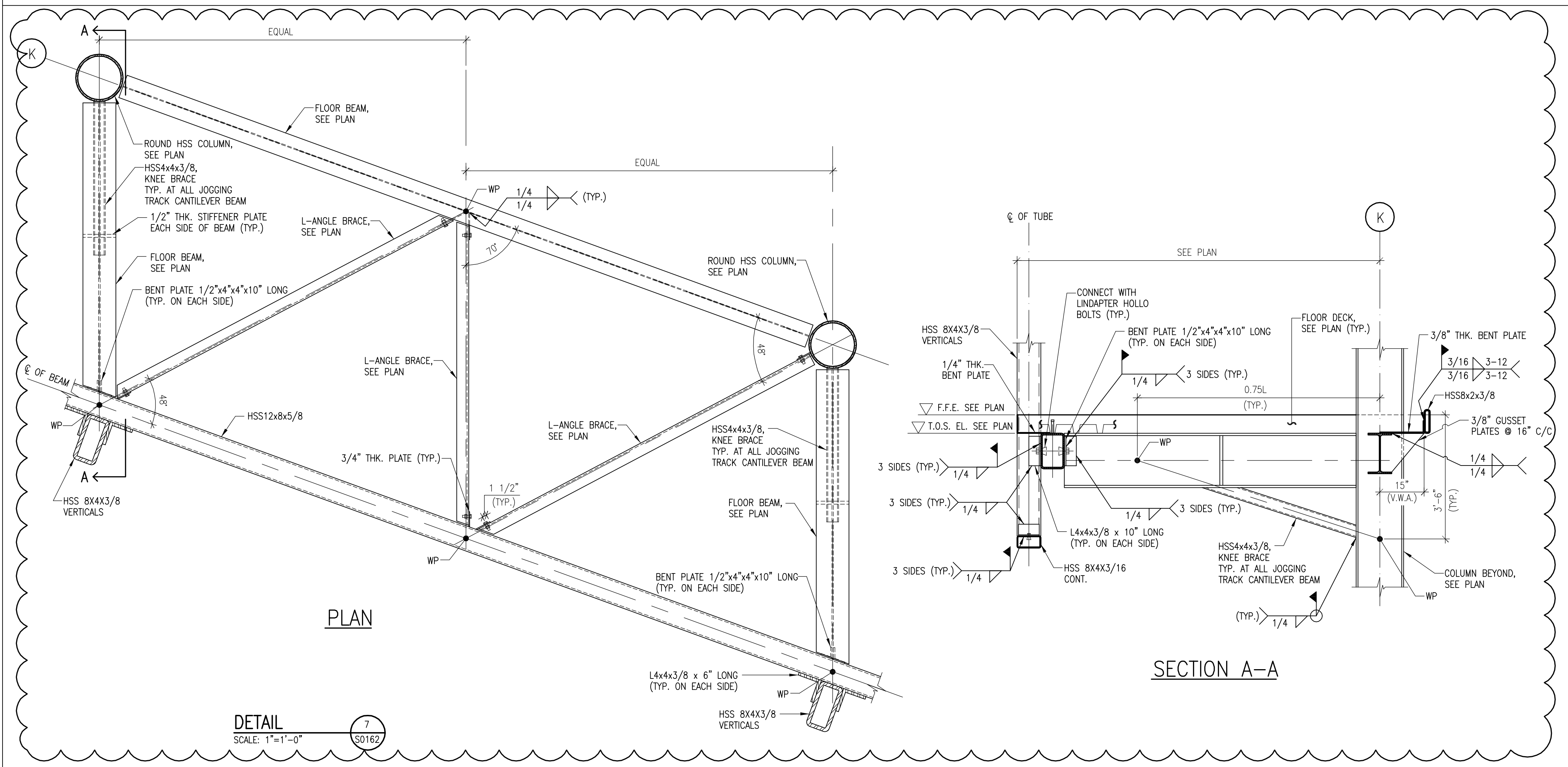


INTENTIONALLY LEFT BLANK

INTENTIONALLY LEFT BLANK



INTENTIONALLY LEFT BLANK



INTENTIONALLY LEFT BLANK

DISCLAIMER NOTE:
THIS SET OF CONSTRUCTION DRAWINGS HAS BEEN UPDATED TO INCLUDE ANY CHANGES ISSUED THROUGH ADDENDUM OR OTHER MEANS. EVERY EFFORT HAS BEEN TAKEN TO INCLUDE ALL CHANGES TO DATE. THE CONTRACTOR IS STILL RESPONSIBLE FOR PROVIDING ANY ITEMS THAT WERE SHOWN AS PART OF THE ORIGINAL BID SET THAT MAY HAVE BEEN OVERLOOKED AND NOT INCLUDED IN THIS SET.

University of Louisville - Student Recreation Center (Phase #4 - Construction Set) Louisville, Ky

Omni ARCHITECTS	212 North Upper Street Lexington, Kentucky 40507-1001 p 859.252.6664 f 859.253.2358 www.omniarchitects.com	
	CANNONDESIGN	
UNIVERSITY OF LOUISVILLE		
Drawing Name:	SECTIONS AND DETAILS	Revision Date
U of L Project Number:	Omni - 1105.00 Cannon - 03667.00	#
Project Number:	Omni - 1105.00 Cannon - 03667.00	
Date:	April 16, 2012	
Drawn By:	VPP	Checked By: ANTHONY

S0162

© Cannon Design 2010. All rights reserved. This document may be reproduced or utilized in any form, without prior written authorization by The Cannon Corporation.