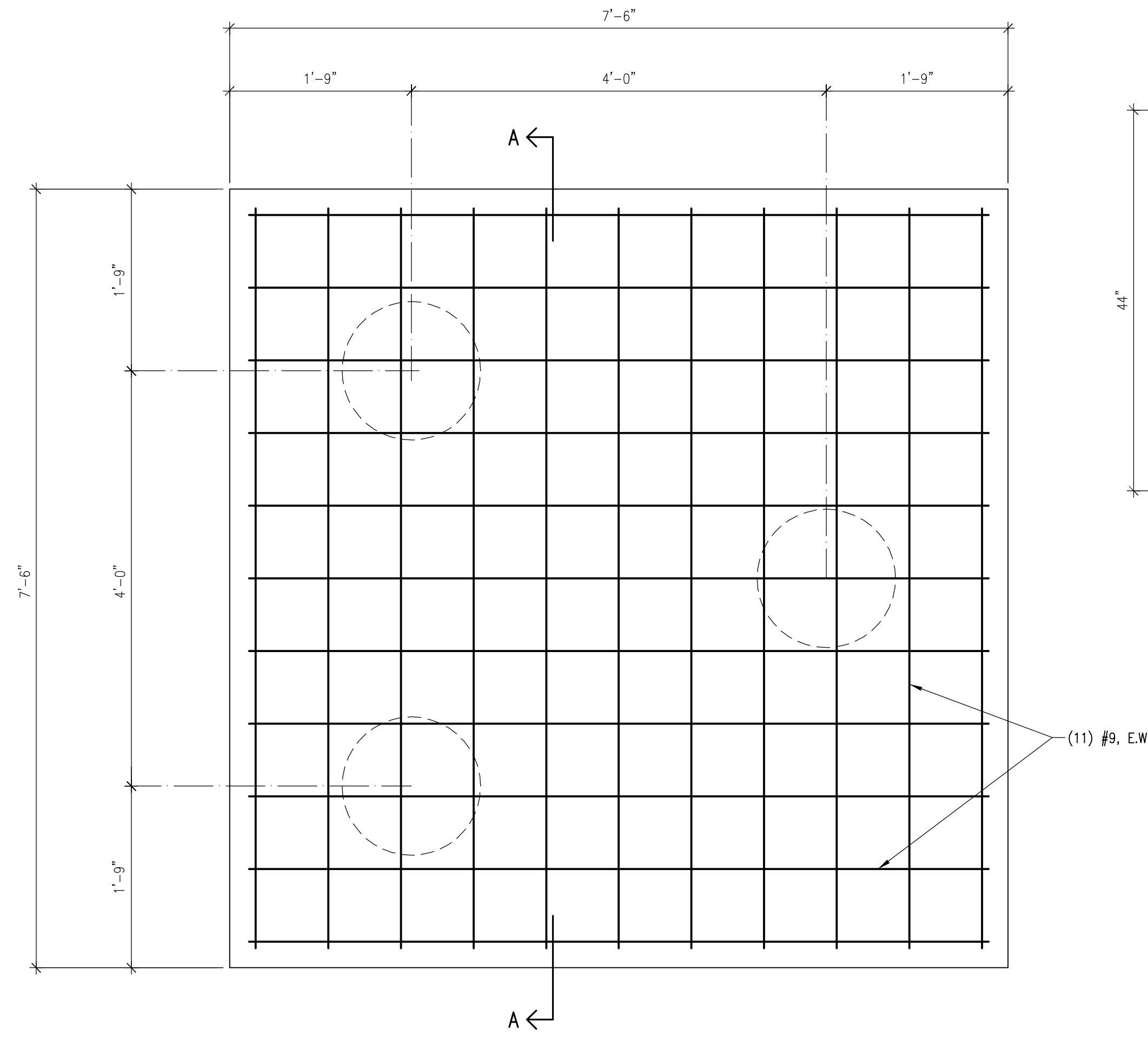


NOTE:
1. SPACE ALL BARS EVENLY.

TYPICAL 1 PILE CAP
SCALE: 1"=1'-0"

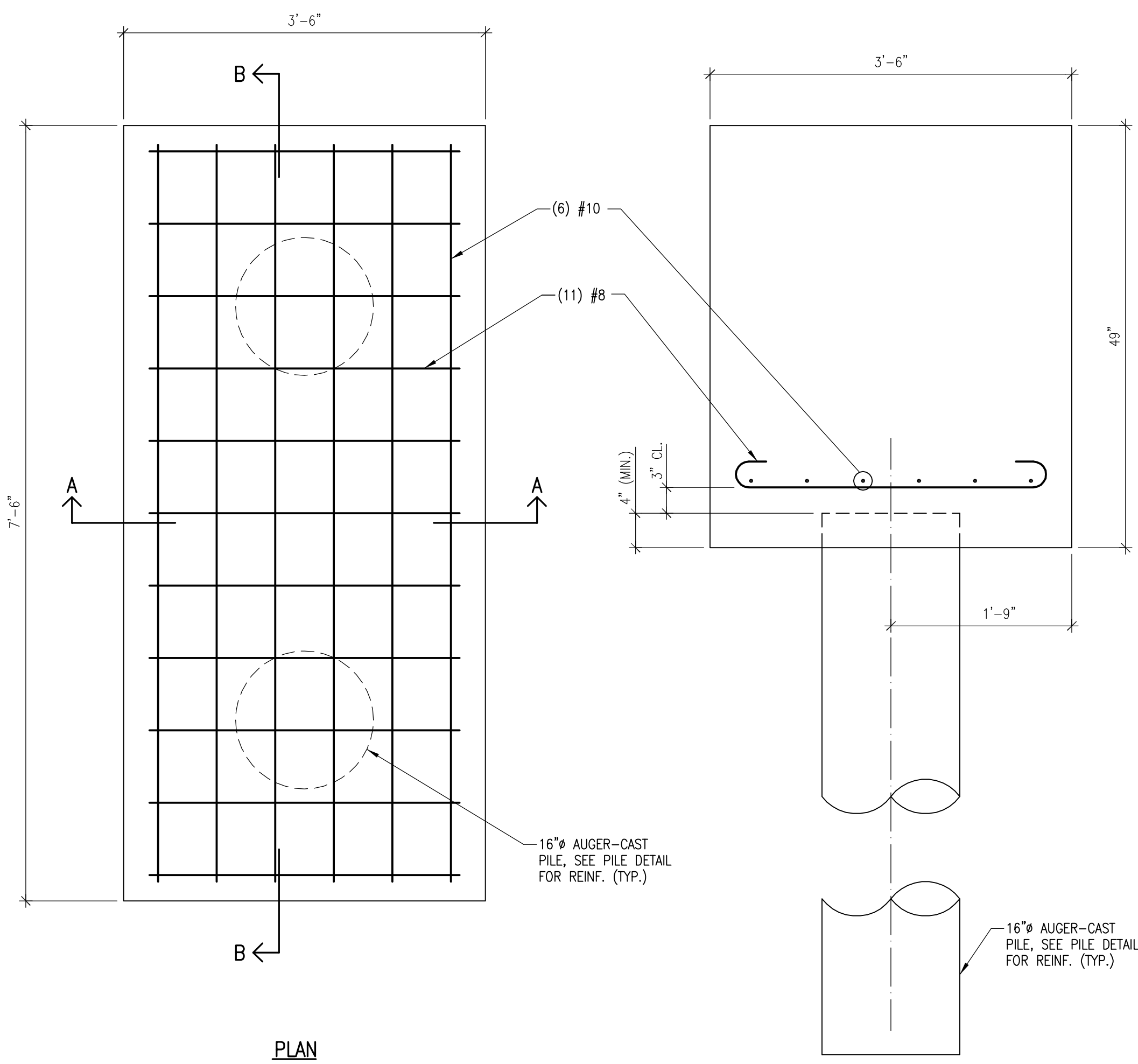
1
S0173



NOTE:
1. SPACE ALL BARS EVENLY.

TYPICAL 3 PILE CAP
SCALE: 1"=1'-0"

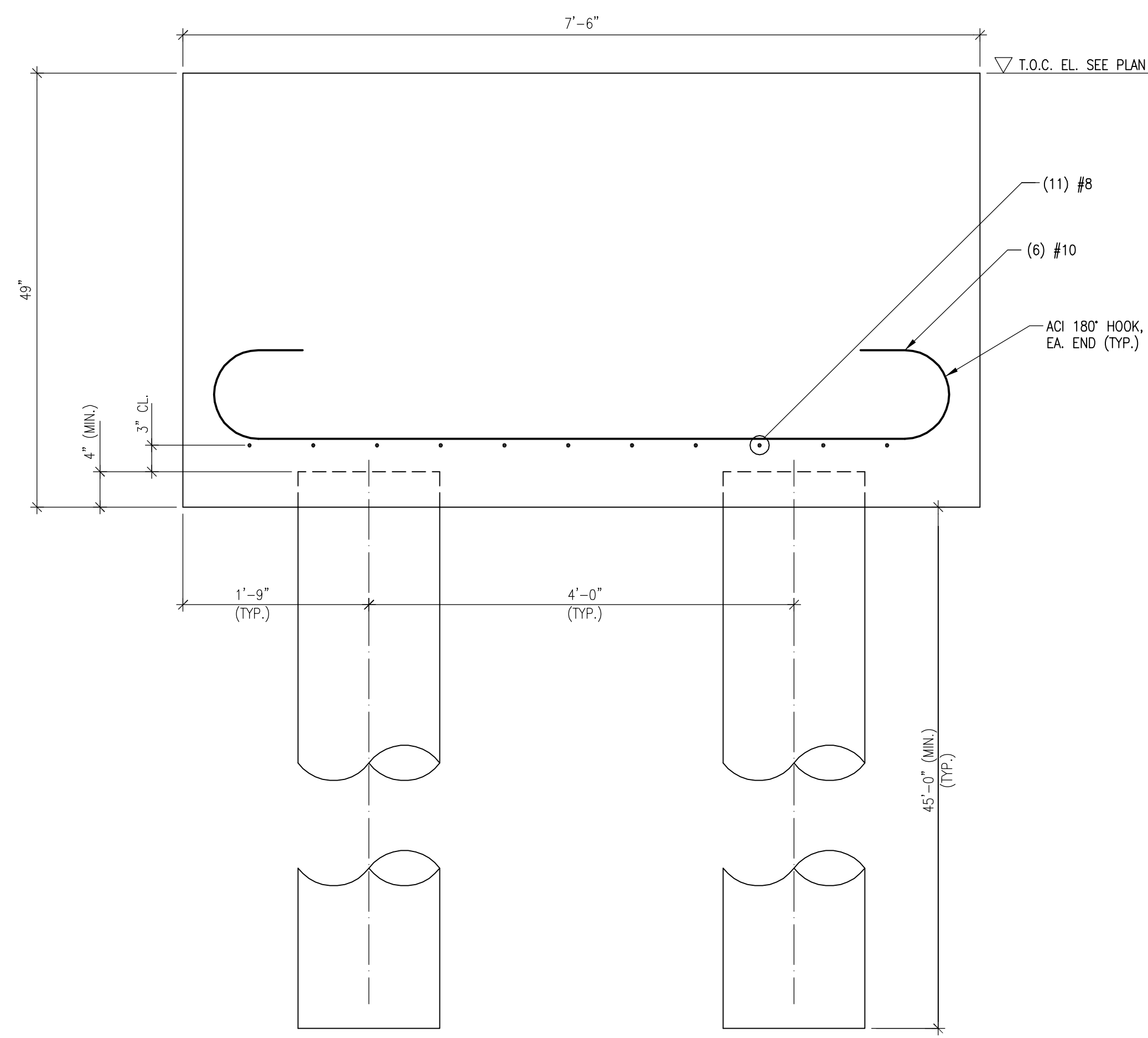
2
S0173



NOTE:
1. SPACE ALL BARS EVENLY.

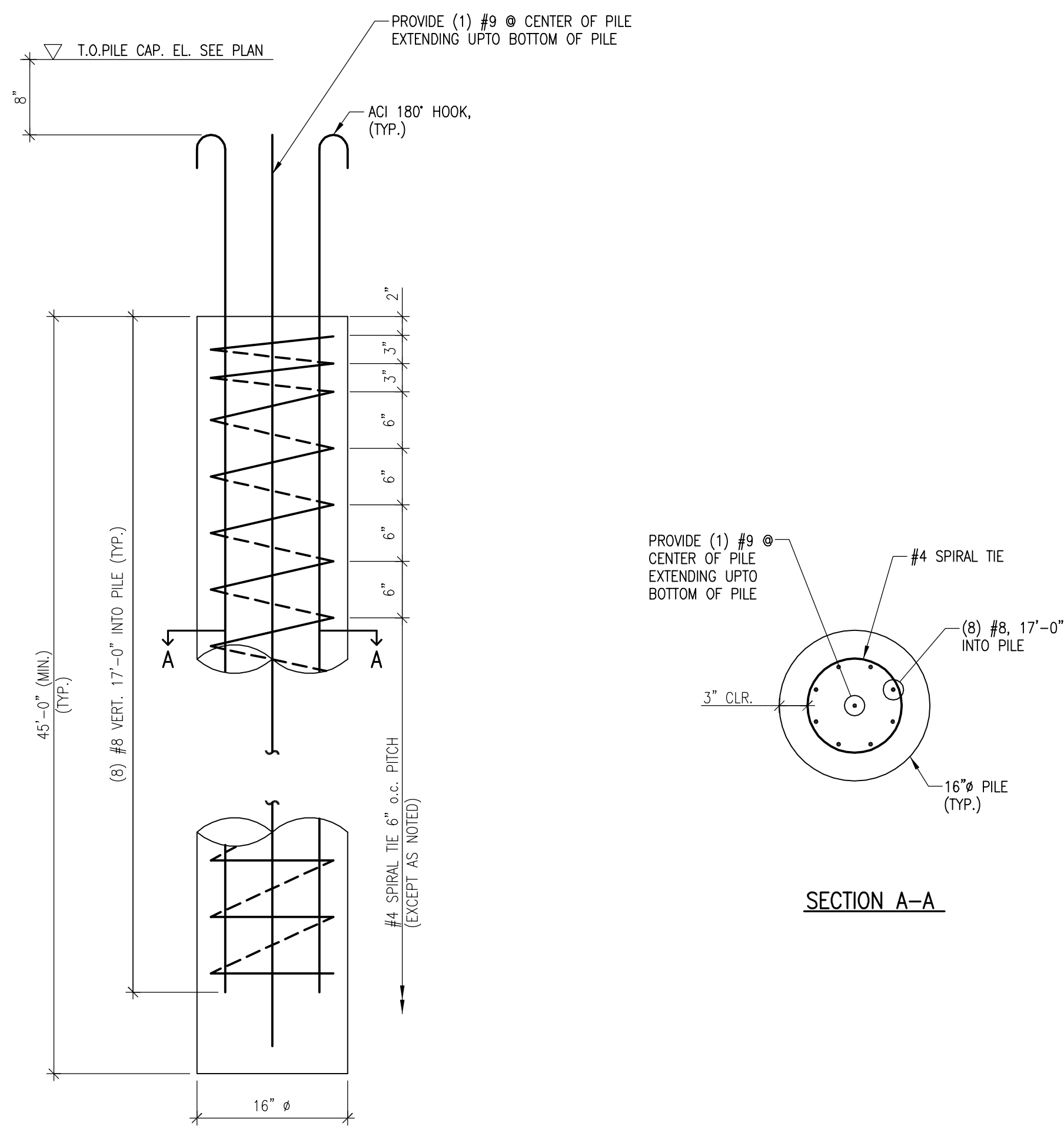
TYPICAL 2 PILE CAP
SCALE: 1"=1'-0"

3
S0173



TYPICAL PILE DETAIL (45'-0")
SCALE: 1"=1'-0"

4
S0173

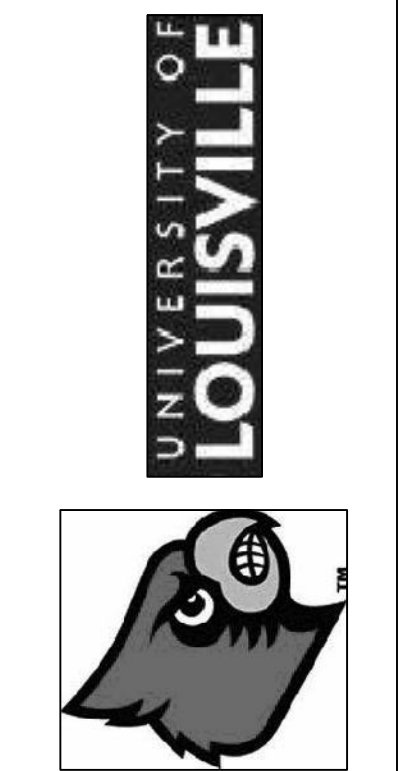


DISCLAIMER NOTE:
THIS SET OF CONSTRUCTION DRAWINGS HAS BEEN UPDATED TO INCLUDE ANY CHANGES ISSUED THROUGH ADDENDUM OR OTHER MEANS. EVERY EFFORT HAS BEEN TAKEN TO INCLUDE ALL CHANGES TO DATE. THE CONTRACTOR IS STILL RESPONSIBLE FOR PROVIDING ANY ITEMS THAT WERE SHOWN AS PART OF THE ORIGINAL BID SET THAT MAY HAVE BEEN OVERLOOKED AND NOT INCLUDED IN THIS SET.

© Cannon Design 2010. All rights reserved. This document may be reproduced or utilized in any form, without prior written authorization by The Cannon Corporation.

SECTIONS AND DETAILS		Revision Date	
#	Description	#	Date

Drawing Name: SECTIONS AND DETAILS
U of L Project Number: Cannon – 03667.00
Project Number: Omni – 1105.00
Date: April 16, 2012
Drawn By: VPP
Checked By: ANTHONY



Omni ARCHITECTS
 212 North Upper Street
 Lexington, Kentucky 40507-1001
 p 859.252.6664 f 859.253.2358
 www.omniarchitects.com

CANNONDESIGN

RANGASWAMY AND ASSOC., INC.
 Suite 420, The Landmark Building
 1001 East Main Street, Louisville, KY 40202
 phone: (502) 582-2312
 fax: (502) 582-2340 - www.rangaswamy.com

