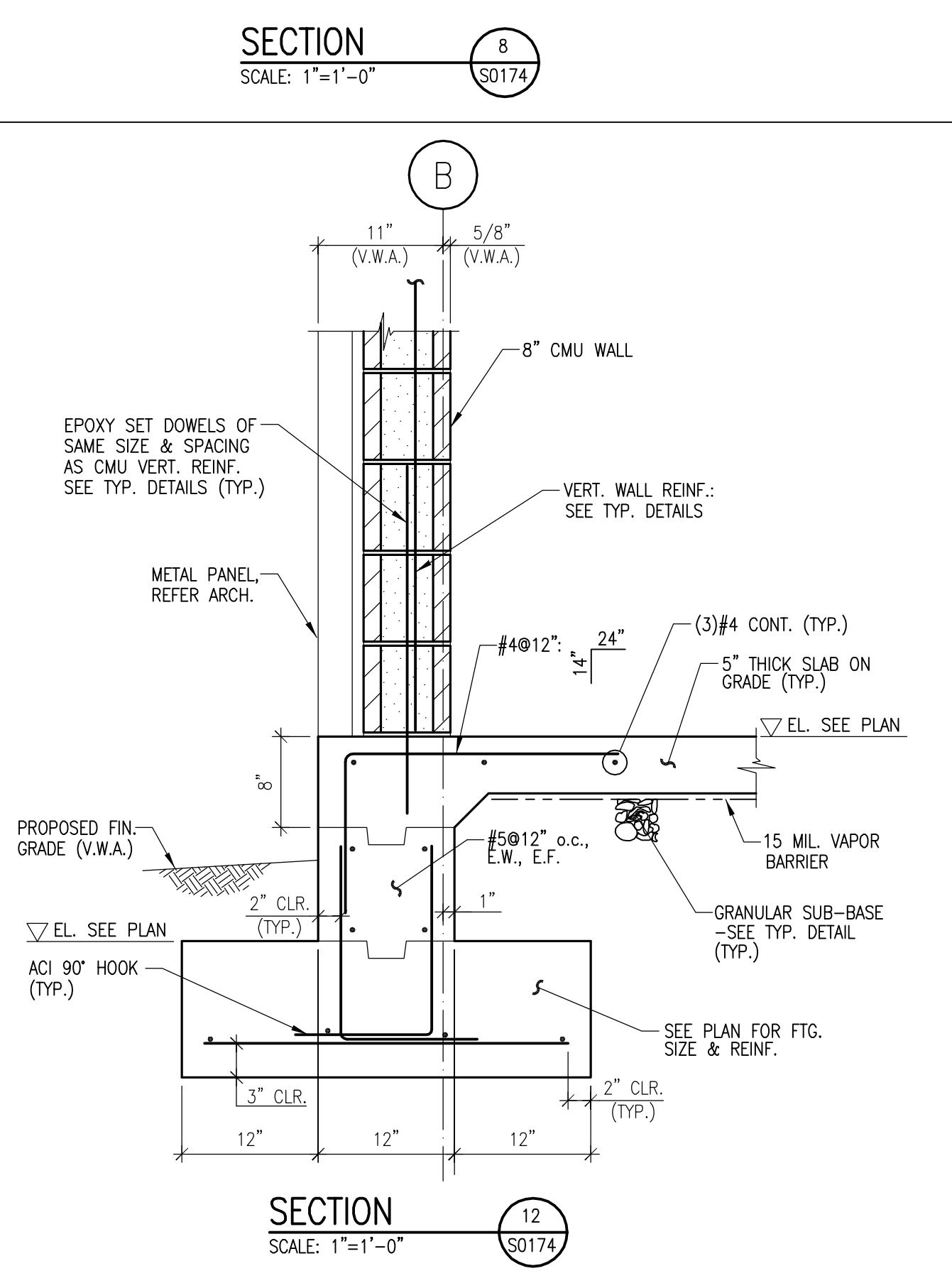
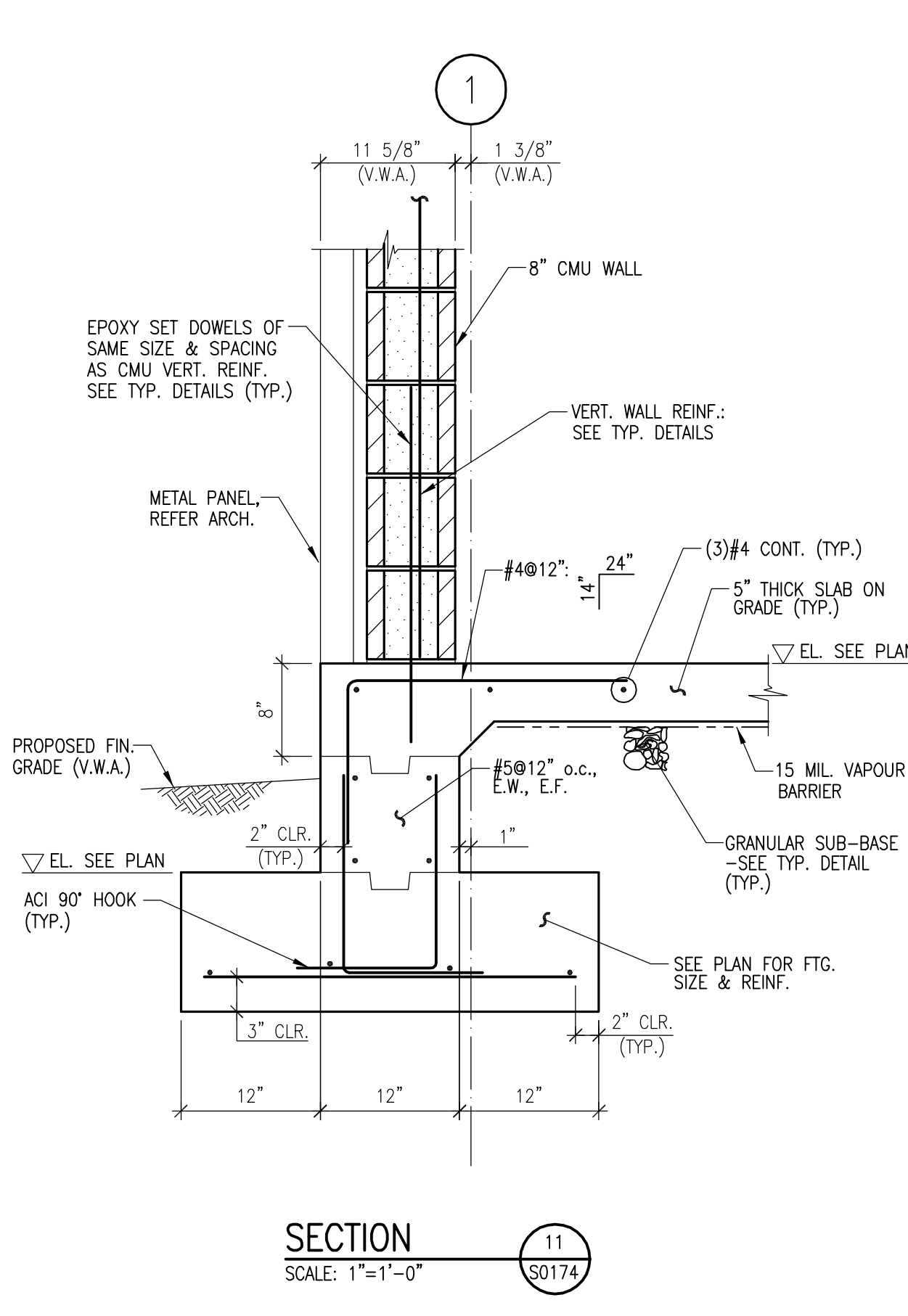
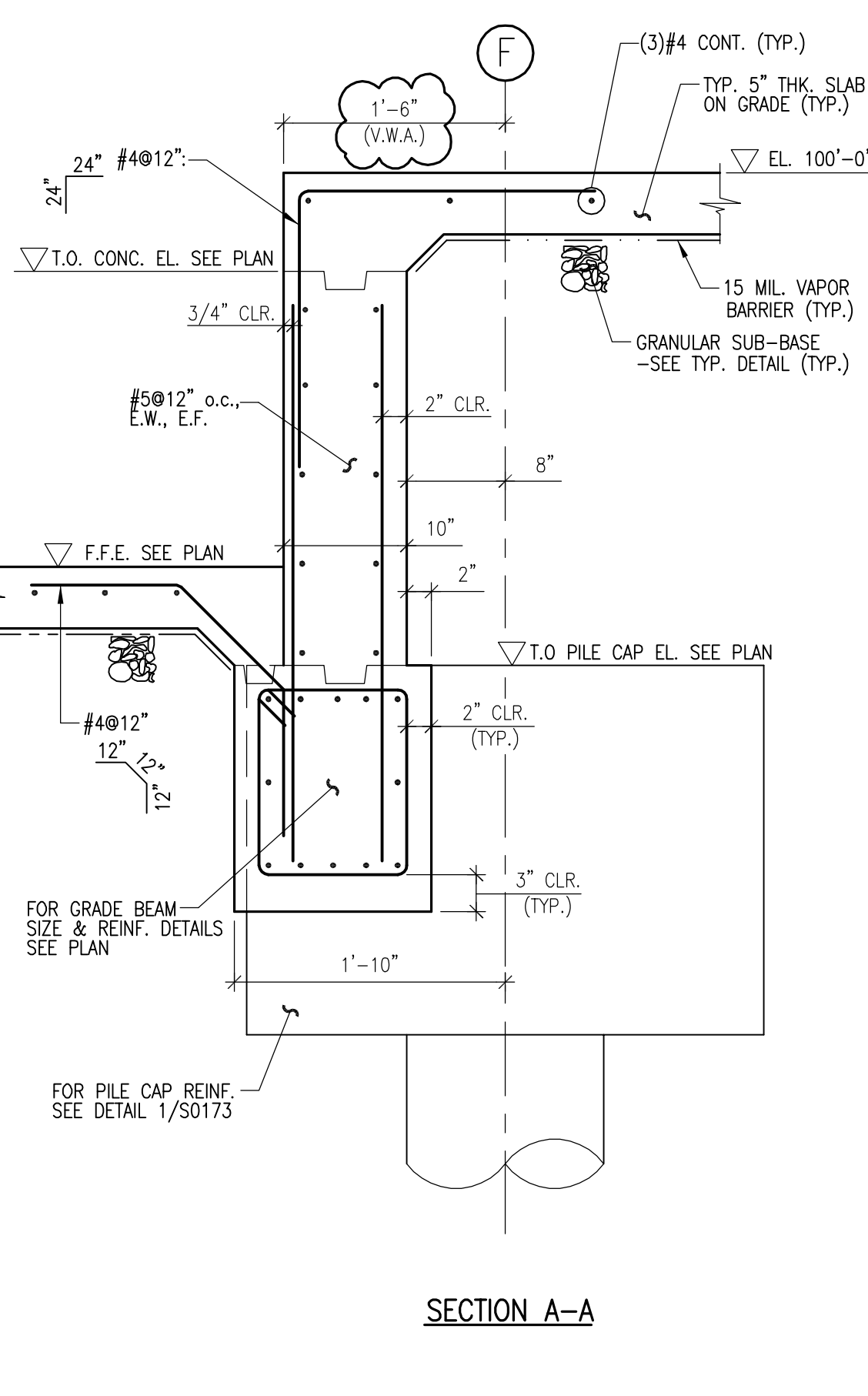
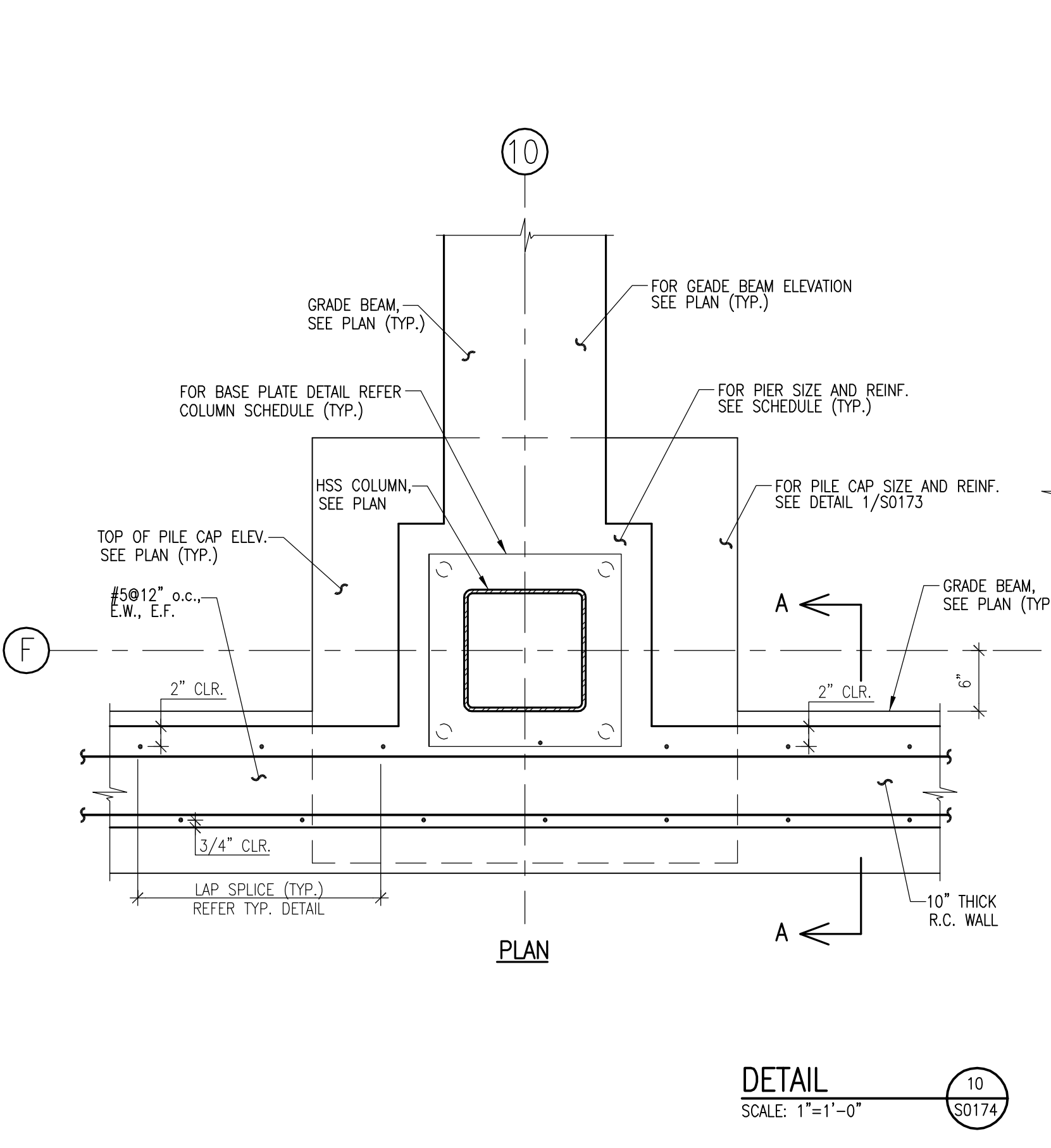
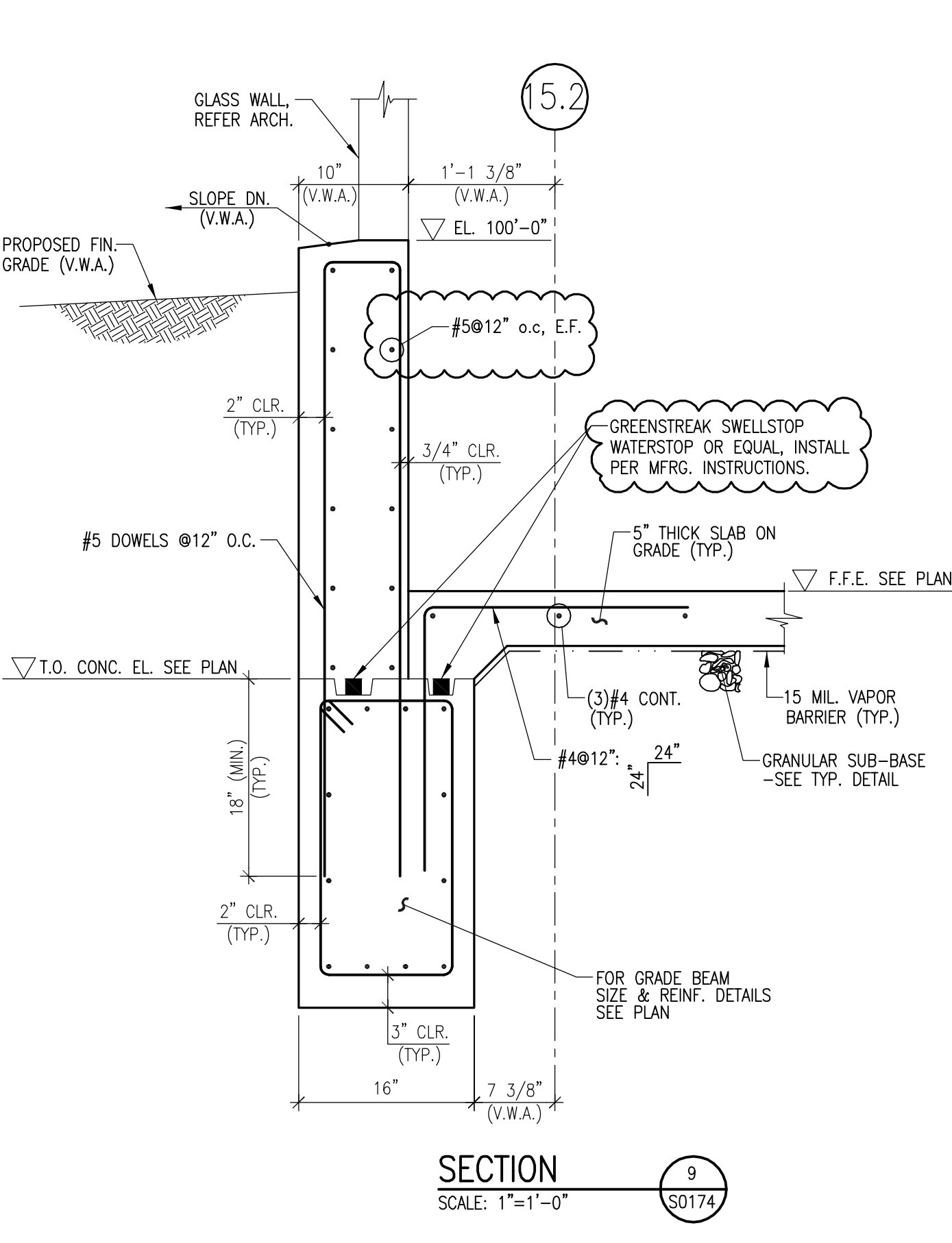
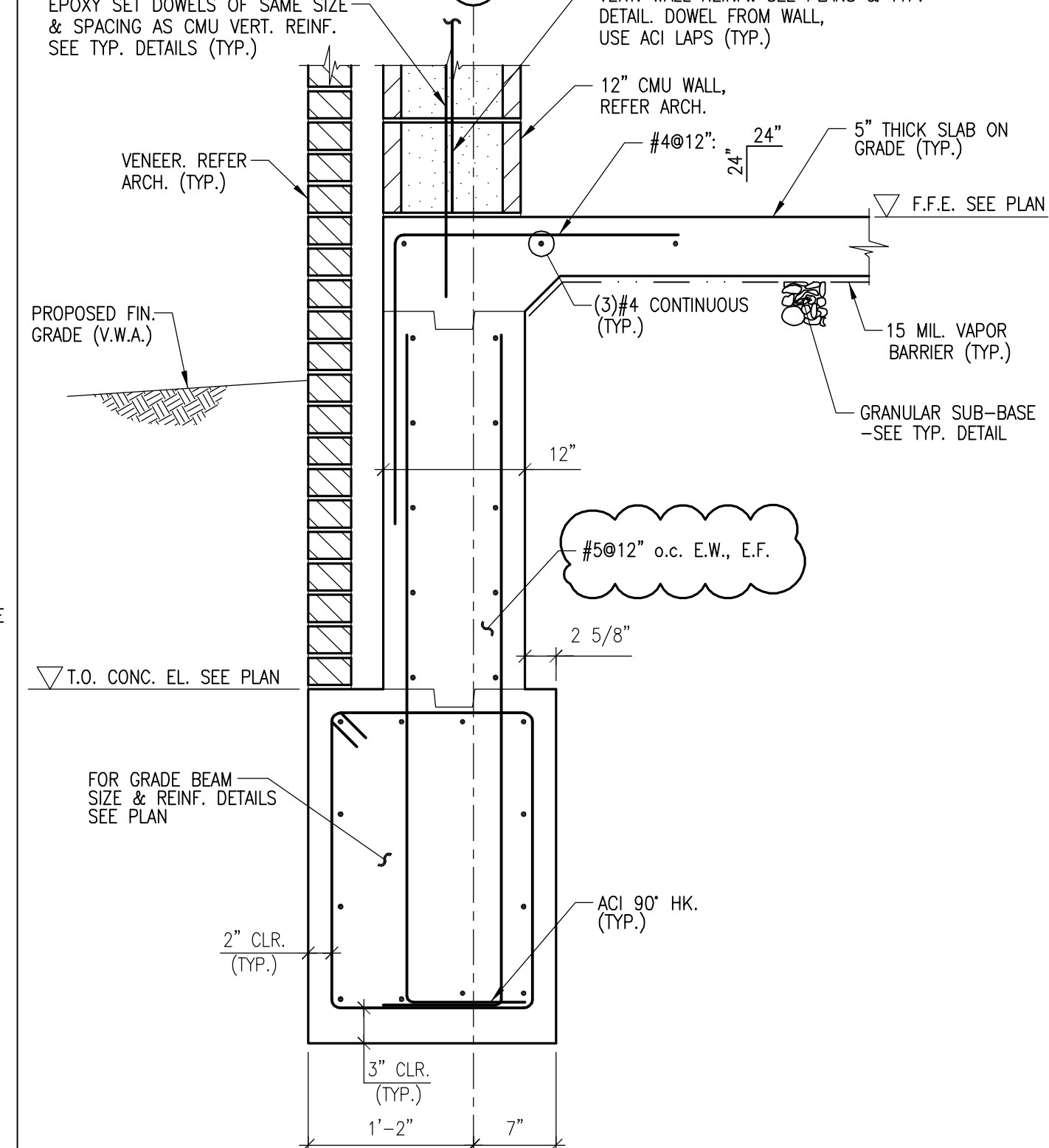
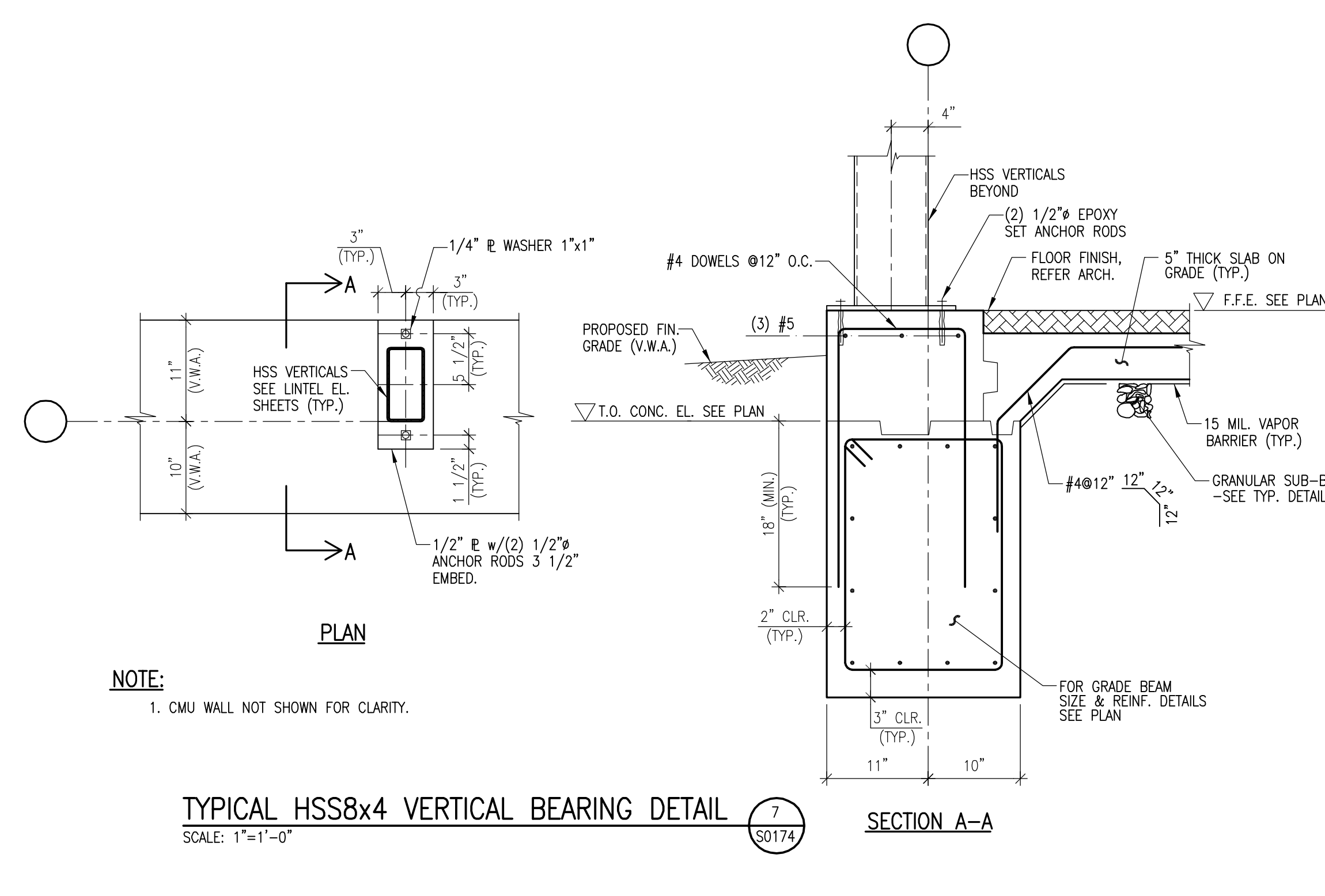
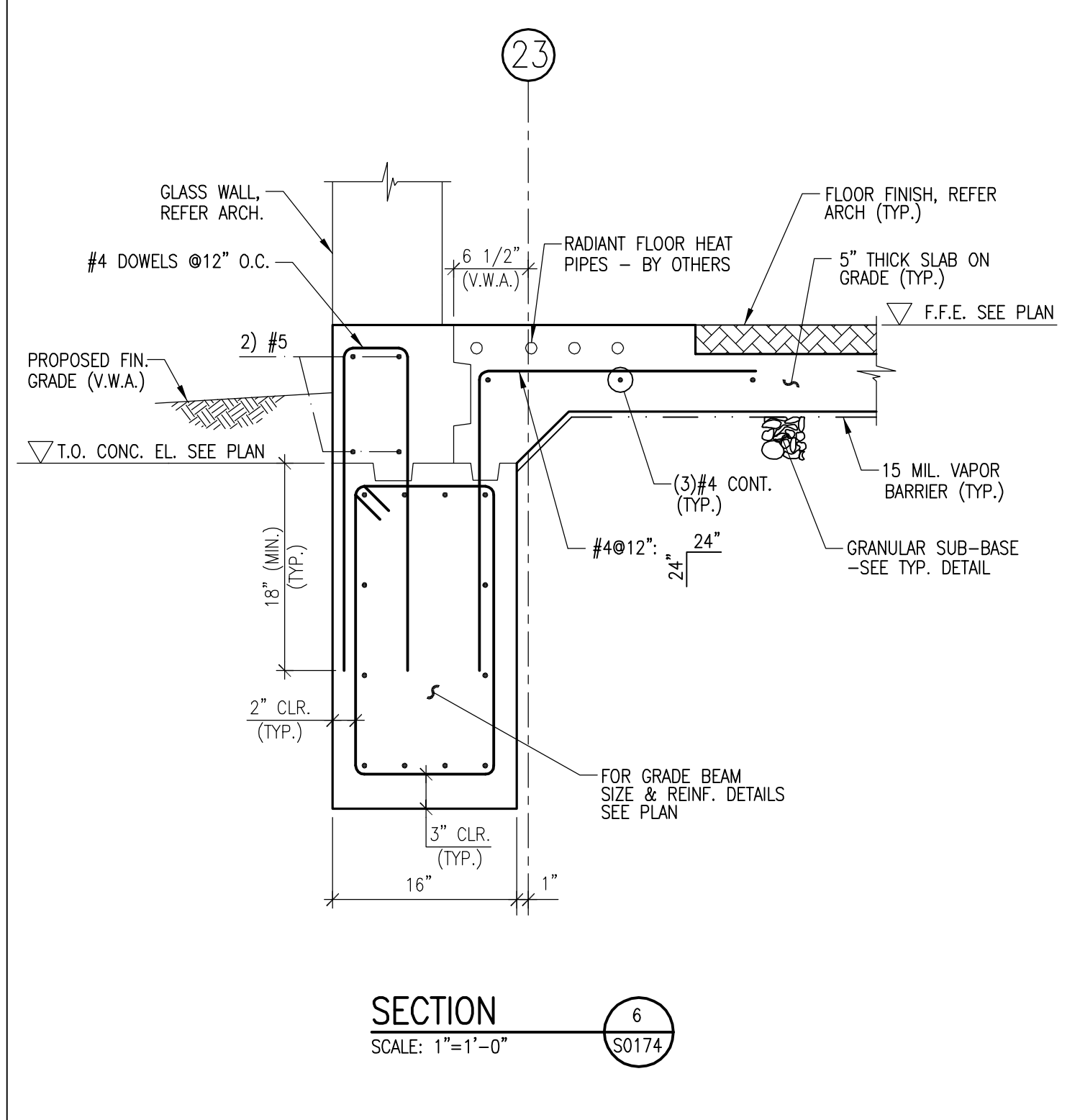
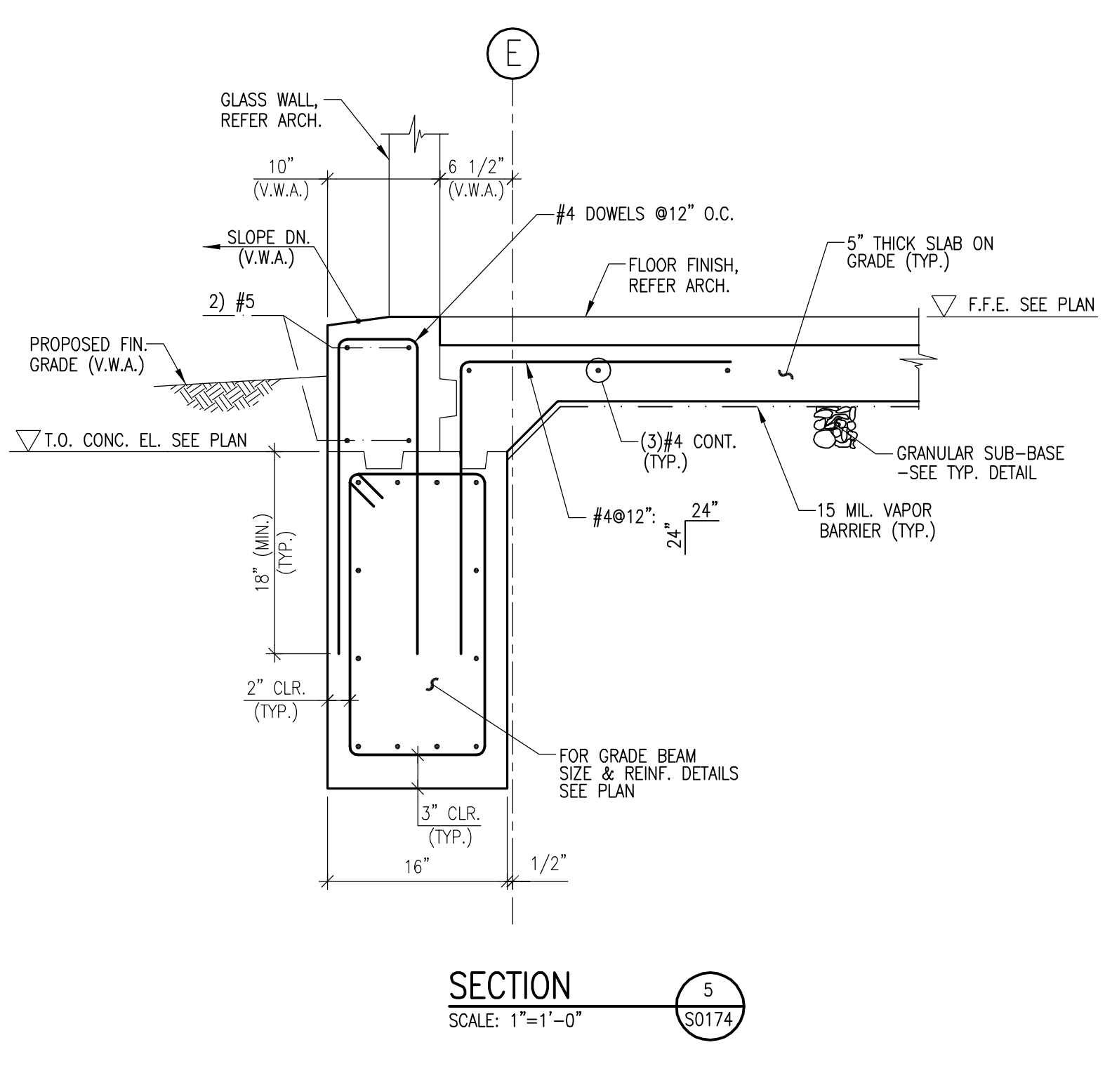
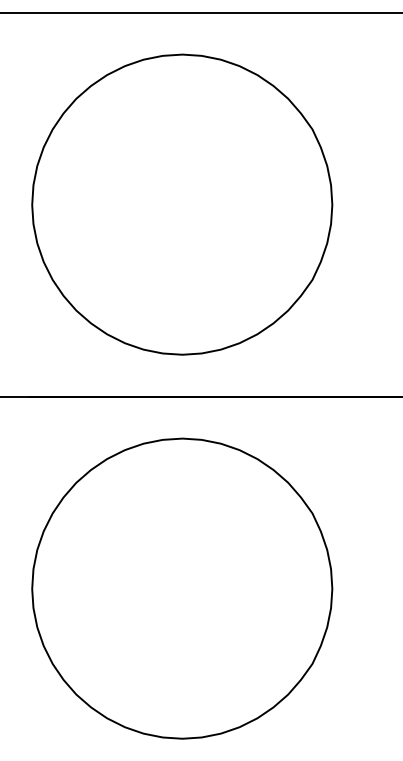


DISCLAIMER NOTE:
THIS SET OF CONSTRUCTION DRAWINGS HAS BEEN UPDATED TO INCLUDE ANY CHANGES ISSUED THROUGH ADDENDUM OR OTHER MEANS. EVERY EFFORT HAS BEEN TAKEN TO INCLUDE ALL CHANGES TO DATE. THE CONTRACTOR IS STILL RESPONSIBLE FOR PROVIDING ANY ITEMS THAT WERE SHOWN AS PART OF THE ORIGINAL BID SET THAT MAY HAVE BEEN OVERLOOKED AND NOT INCLUDED IN THIS SET.



University of Louisville - Student Recreation Center (Phase #4 - Construction Set) Louisville, Ky



RANGASWAMY AND ASSOC., INC.
Suite 420, The Landmark Building
1001 S. Third St., Louisville, KY 40202
Phone: (502) 588-2212
Fax: (502) 588-2240 - www.rangaswamy.com

Omni ARCHITECTS
212 North Upper Street
Lexington, Kentucky 40507-1001
p 859.252.6664 f 859.253.2358
www.omniarchitects.com

UNIVERSITY OF LOUISVILLE

SECTIONS AND DETAILS		Revision Date
Drawing Name:	SECTIONS AND DETAILS	
U of L Project Number:	Omni - 1105.000	03667.00
Project Number:	Omni - 1105.000	Cannon - 03667.00
Date:	April 16, 2012	
Drawn By:	VPP	Checked By: ANTHONY

S0174

© Cannon Design 2010. All rights reserved. This document may be reproduced or utilized in any form, without prior written authorization by The Cannon Corporation.