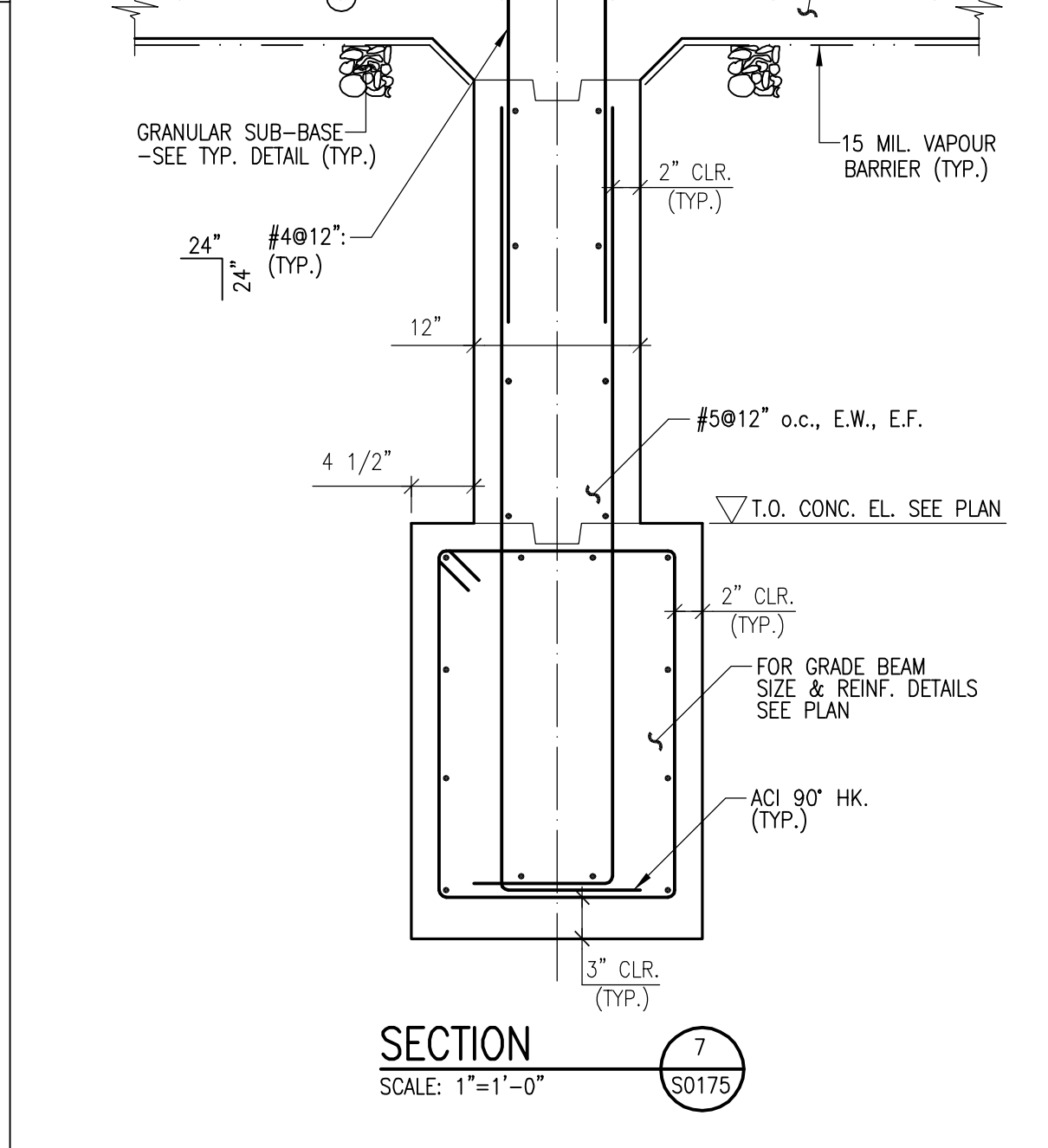
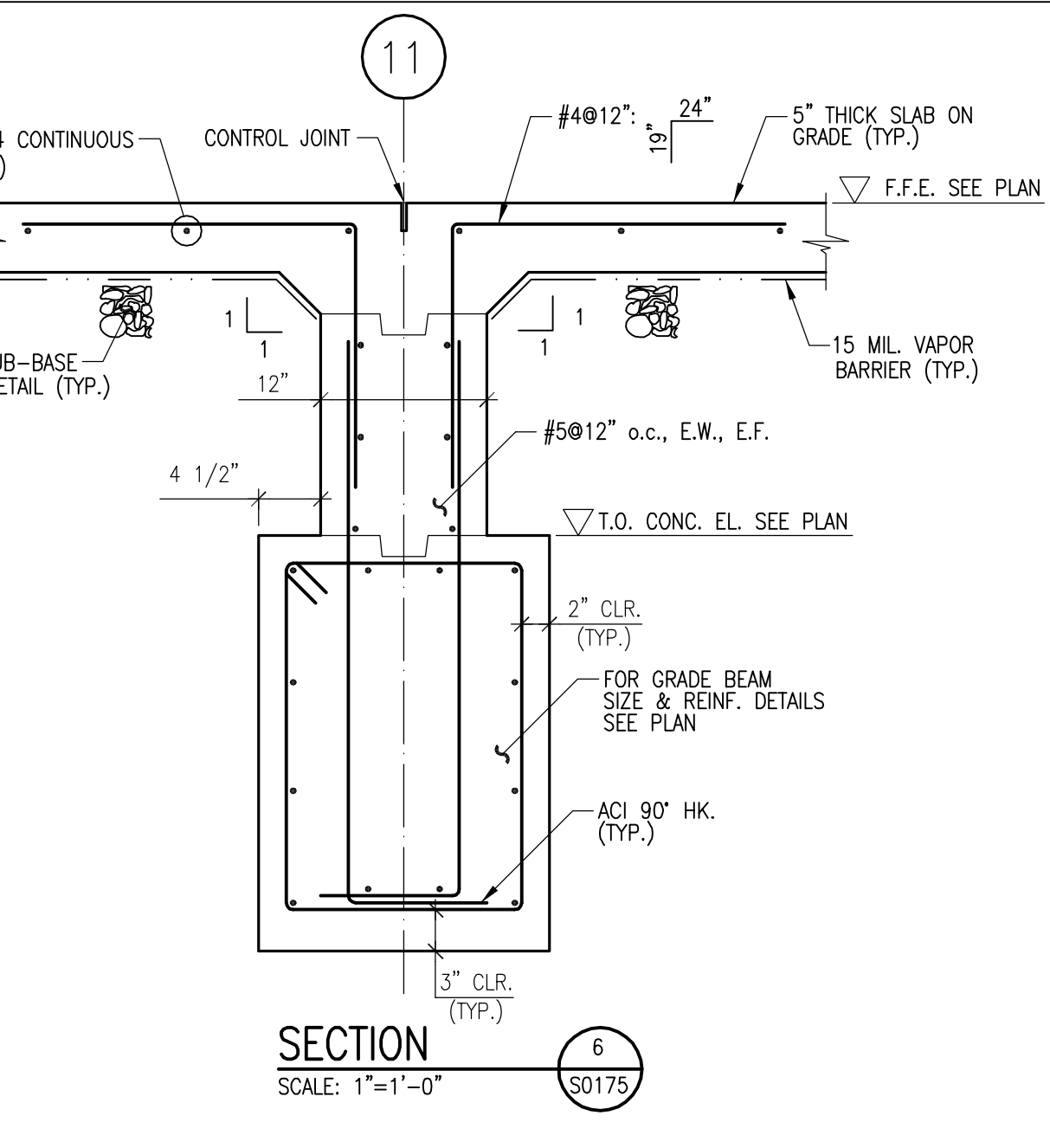
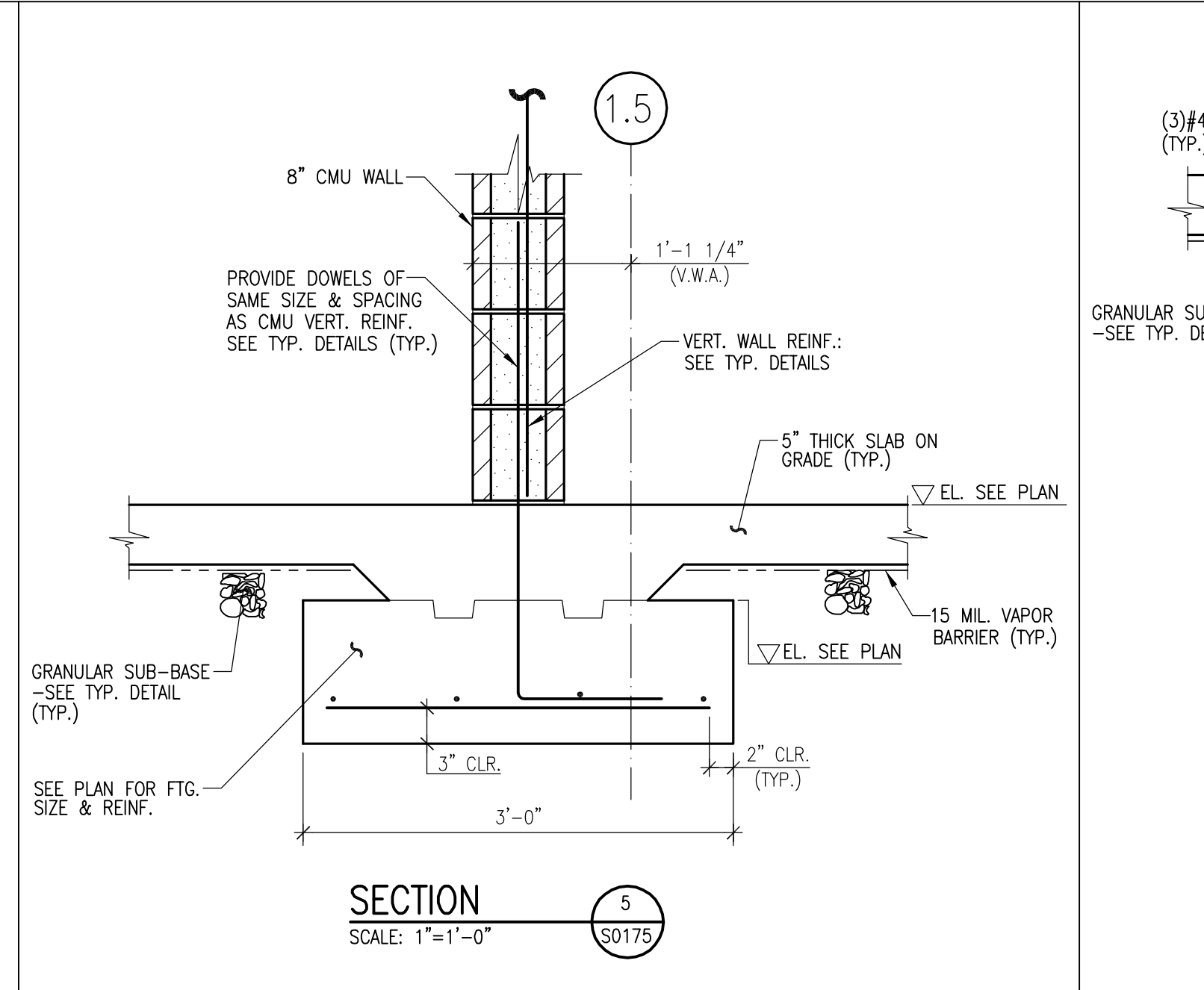
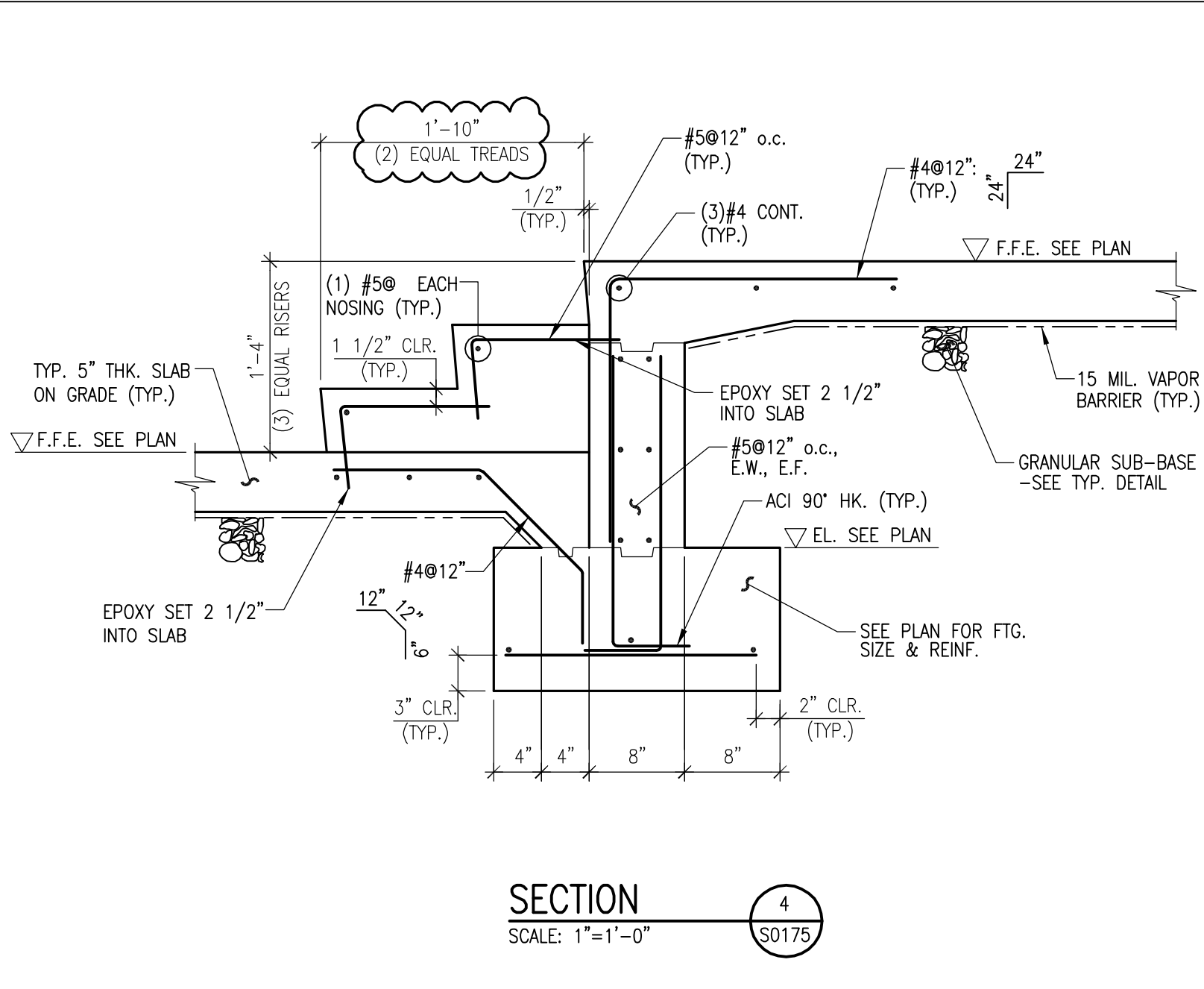
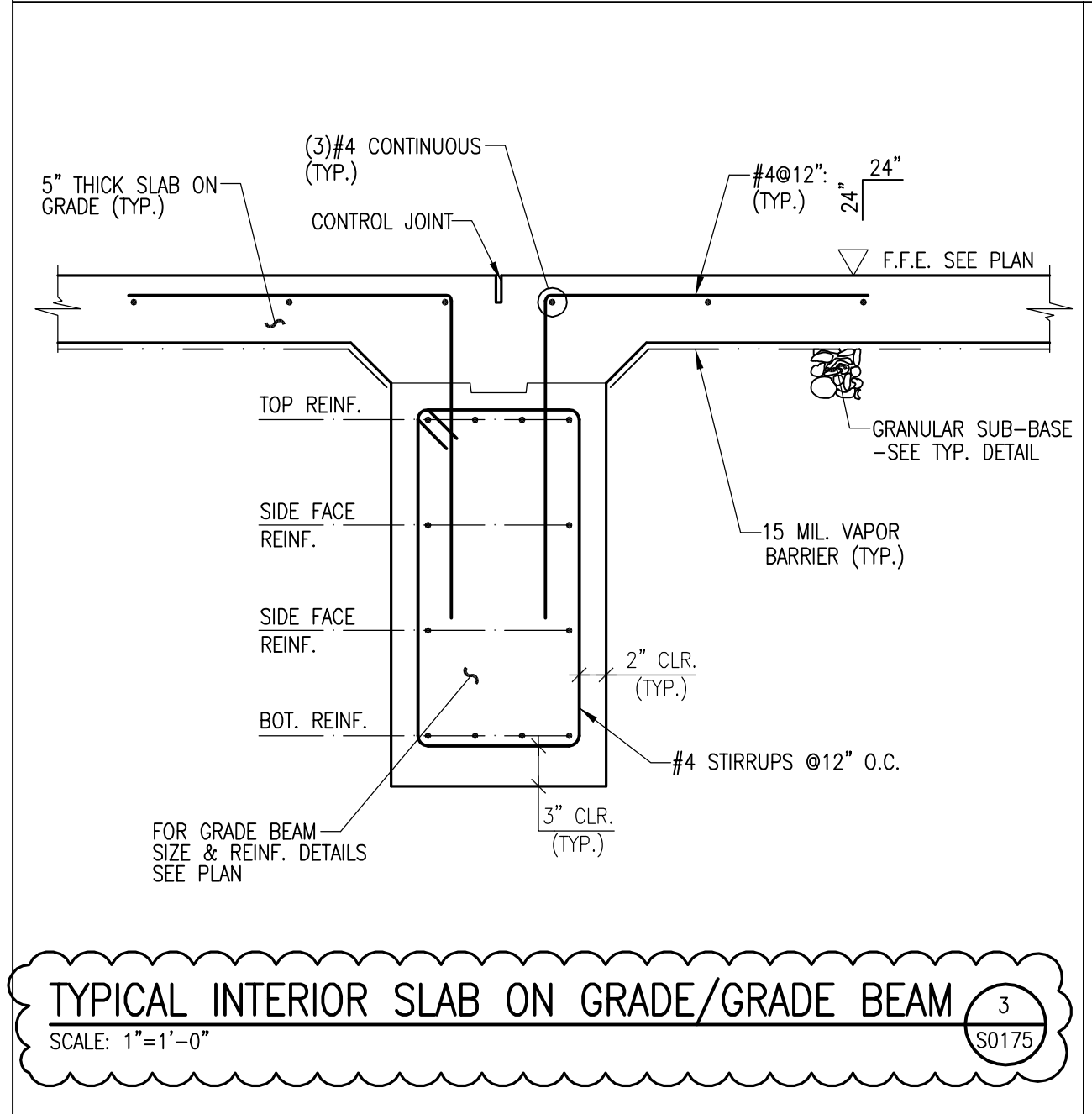
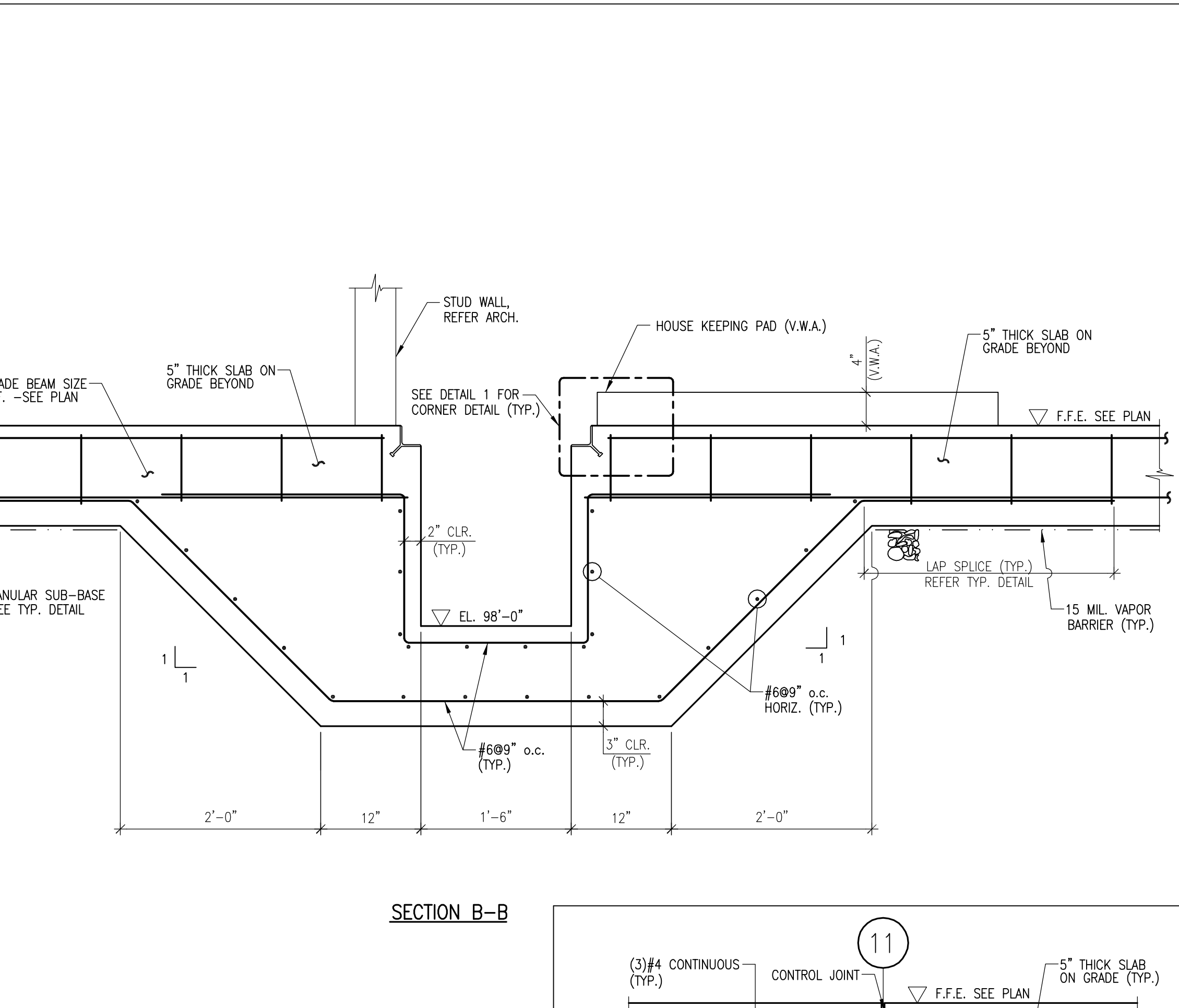
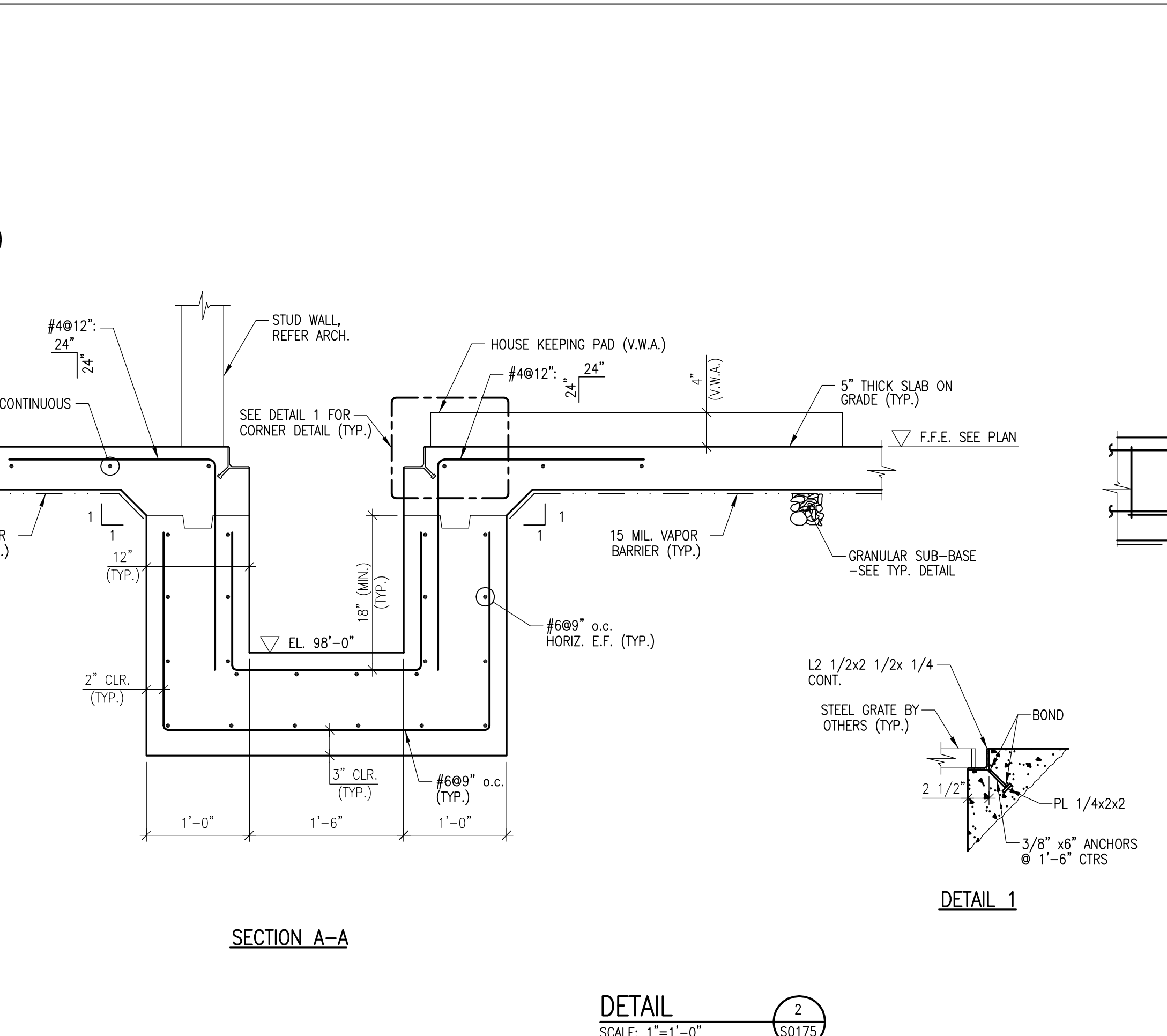
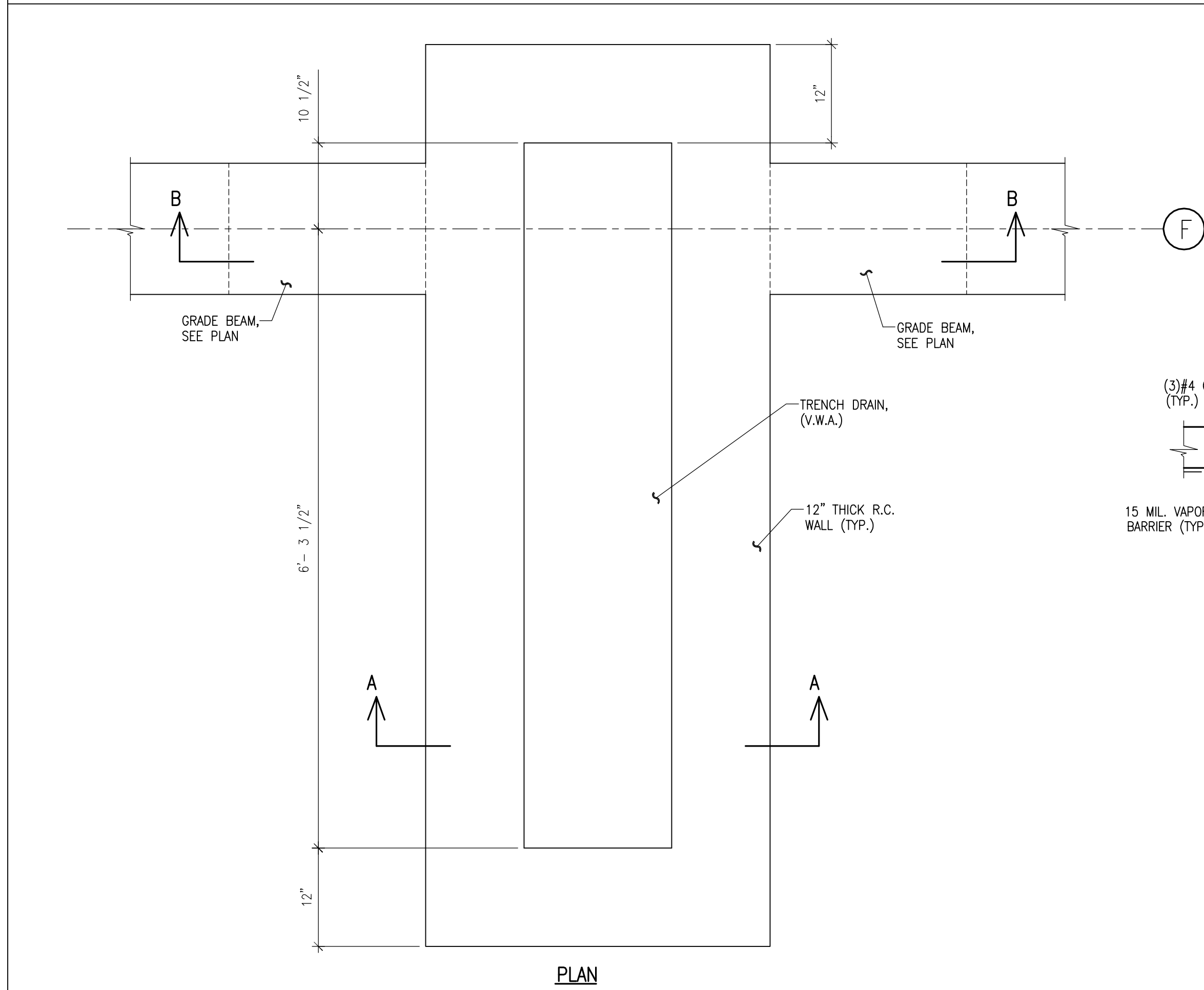


DISCLAIMER NOTE:
THIS SET OF CONSTRUCTION DRAWINGS HAS BEEN UPDATED TO INCLUDE ANY CHANGES ISSUED THROUGH ADDENDUM OR OTHER MEANS. EVERY EFFORT HAS BEEN TAKEN TO INCLUDE ALL CHANGES TO DATE. THE CONTRACTOR IS STILL RESPONSIBLE FOR PROVIDING ANY ITEMS THAT WERE SHOWN AS PART OF THE ORIGINAL BID SET THAT MAY HAVE BEEN OVERLOOKED AND NOT INCLUDED IN THIS SET.

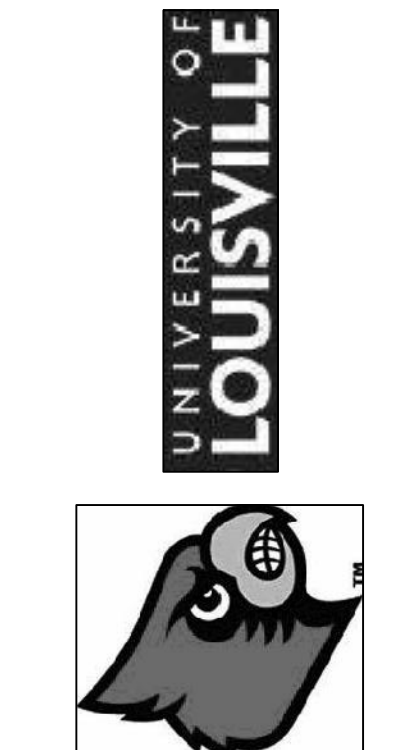


University of Louisville – Student Recreation Center (Phase #4 – Construction Set) Louisville, Ky

#	Revision Date

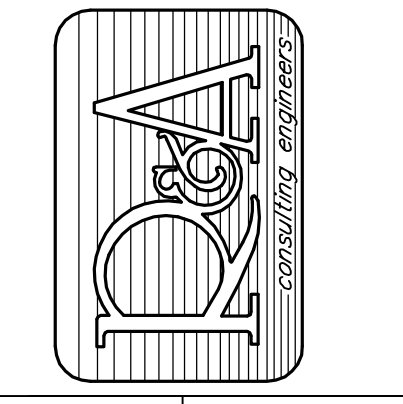
Drawing Name: SECTIONS AND DETAILS
U of L Project Number: Omni – 1105.00
Project Number: Cannon – 03667.00
Date: April 16, 2012
Checked By: ANTHONY

Drawn By: VPP

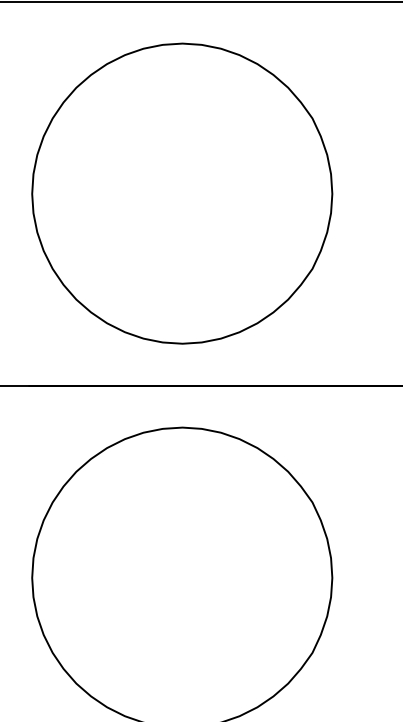


Omni ARCHITECTS
212 North Upper Street
Lexington, Kentucky 40507-1001
p 859.252.6664 f 859.253.2358
www.omniarchitects.com

CANNONDESIGN



RANGASWAMY AND ASSOC., INC.
Sub-426, The Landmark Building
1000 N. 2nd Street, Suite 426
Lexington, KY 40502
phone: (606) 586-2212
fax: (606) 586-2240
www.rangaswamy.com



S0175

© Cannon Design 2010. All rights reserved. No part of this document may be reproduced or utilized in any form, without prior written authorization by The Cannon Corporation.