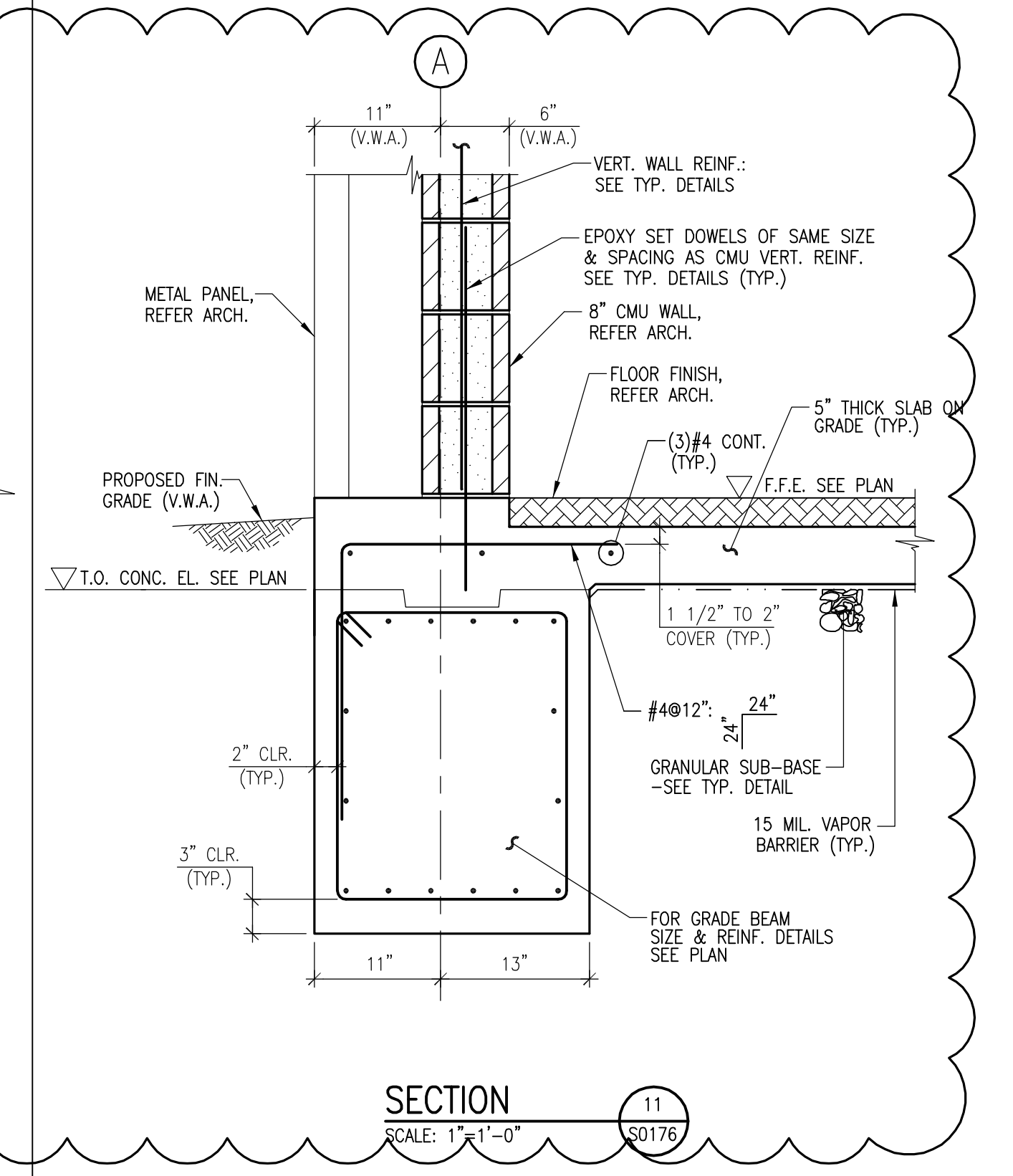
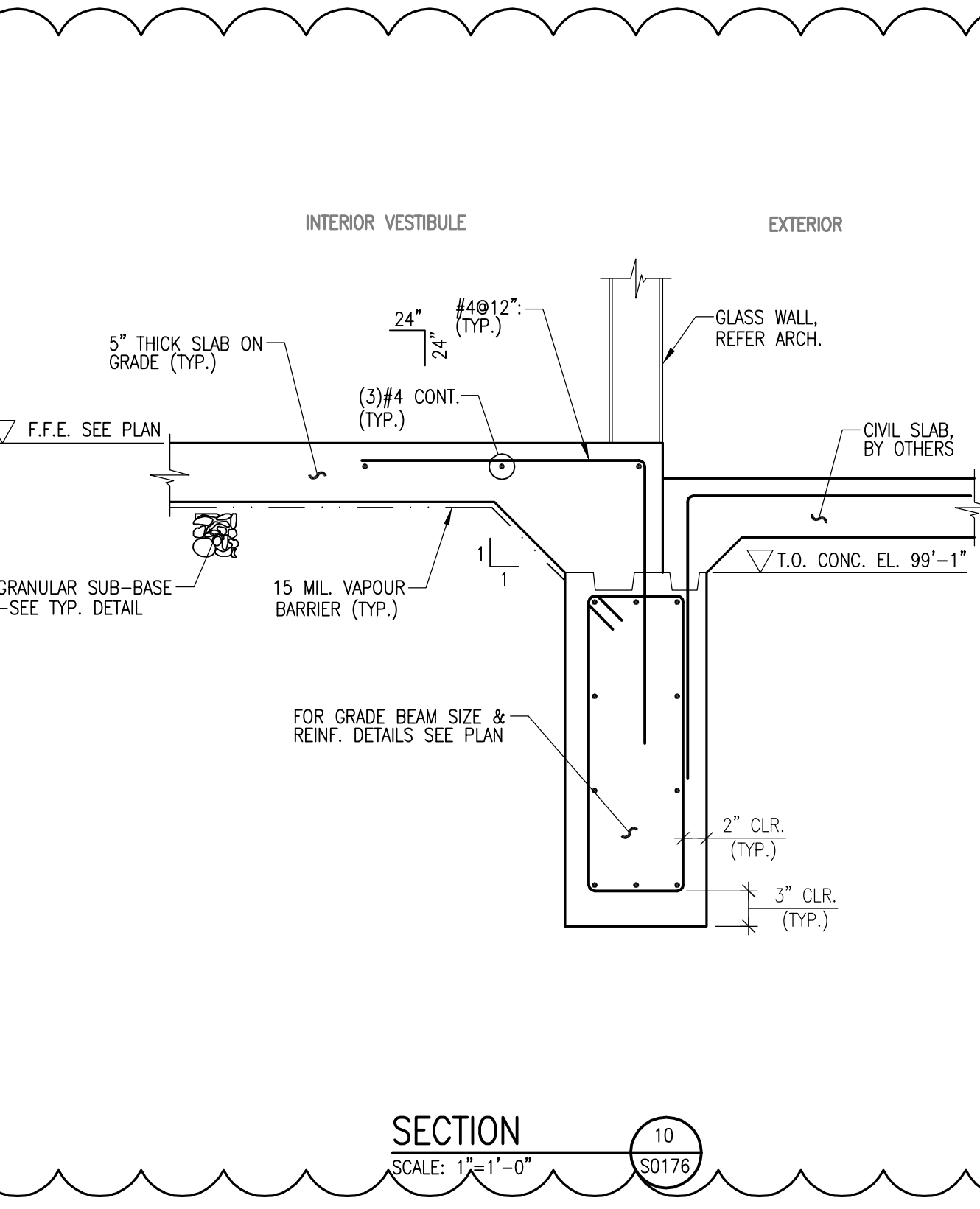
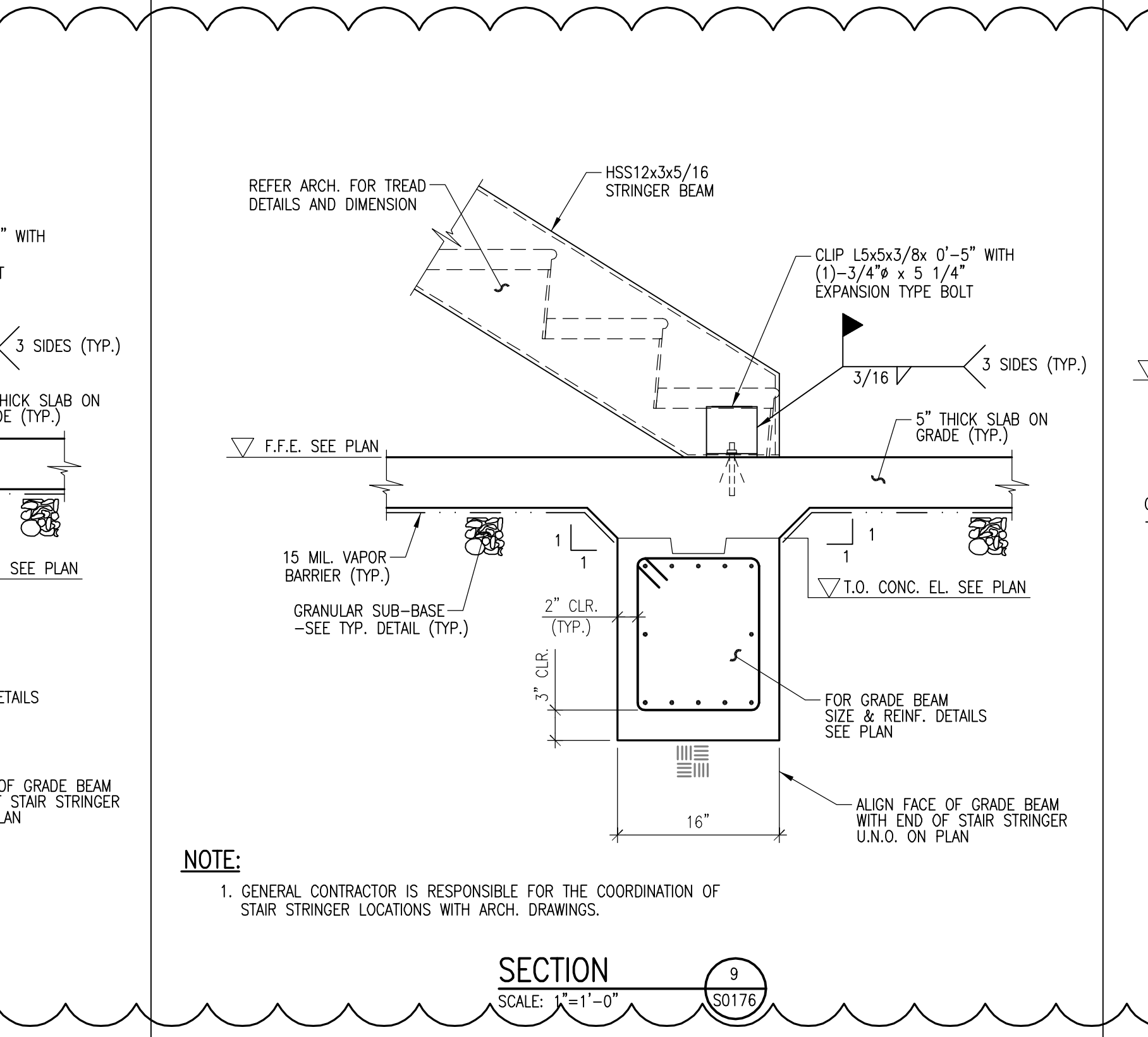
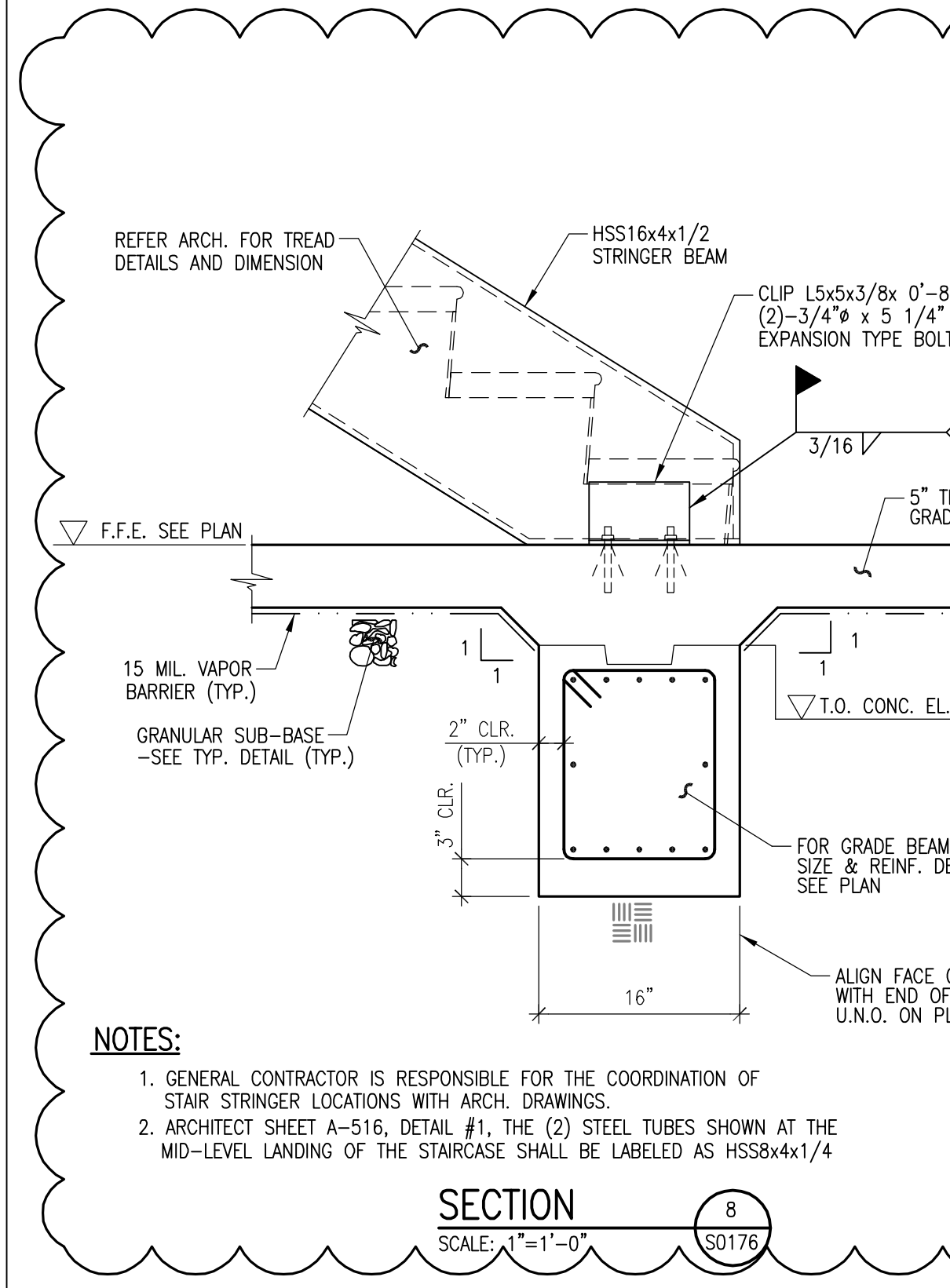
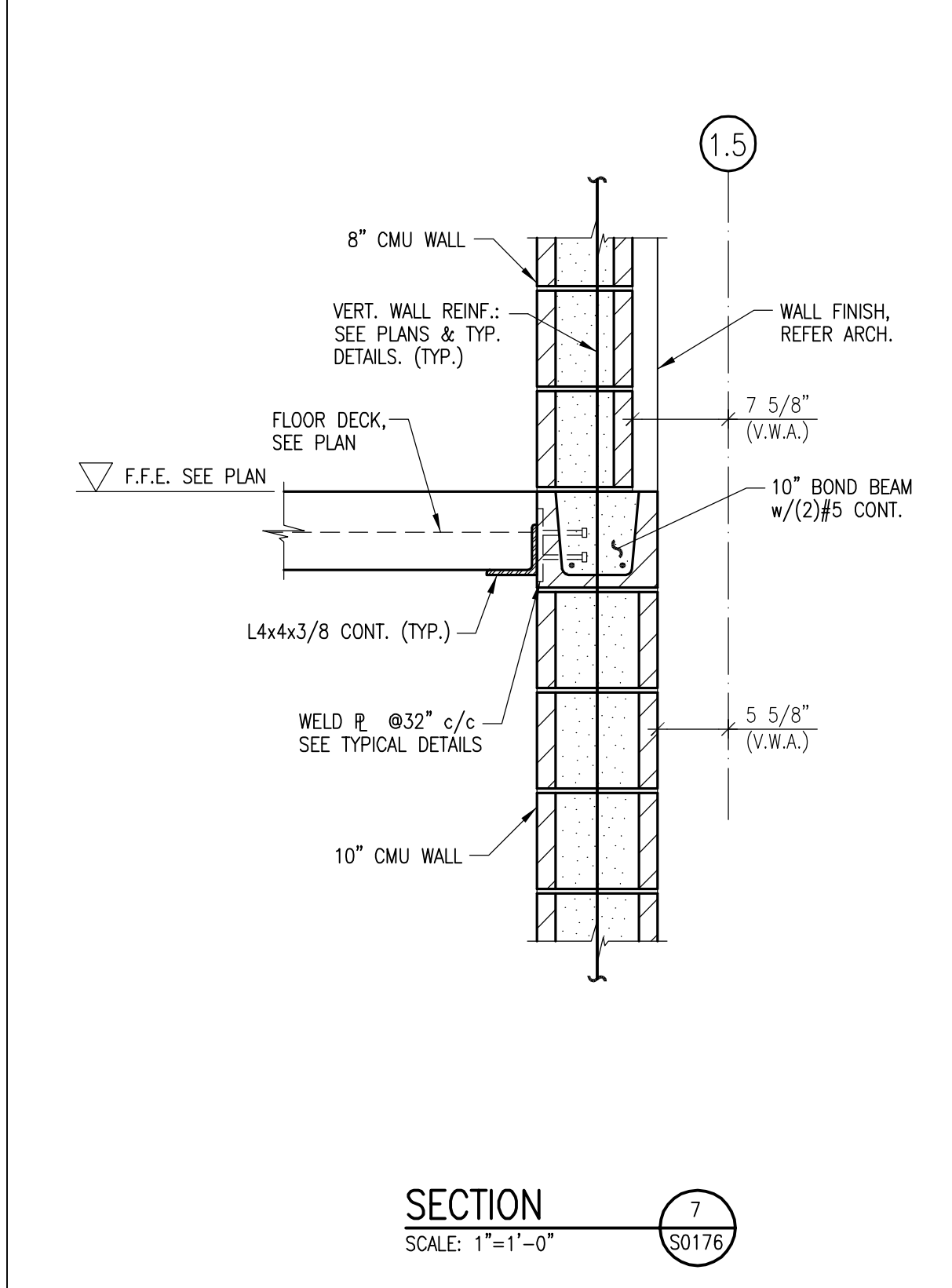
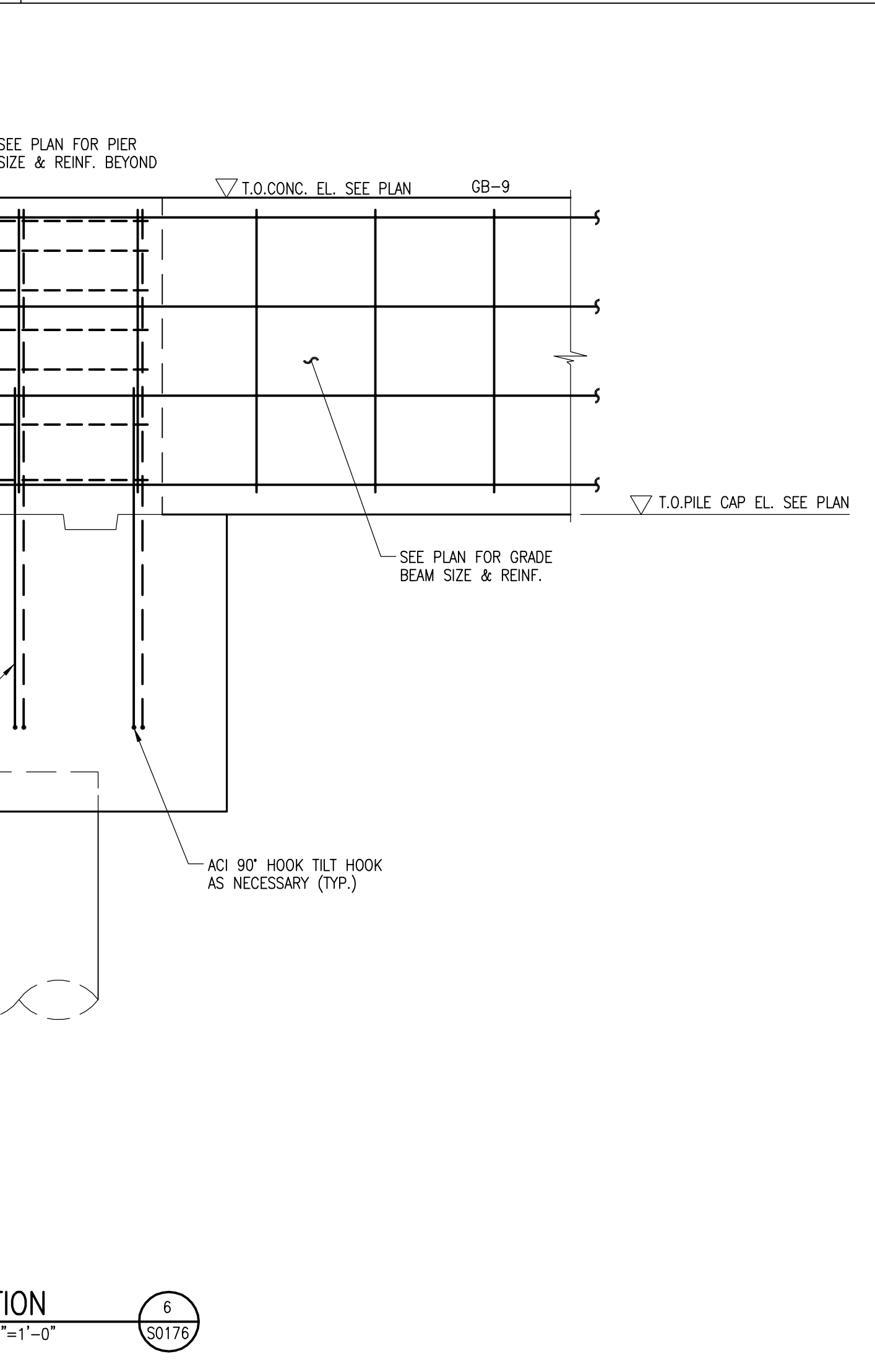
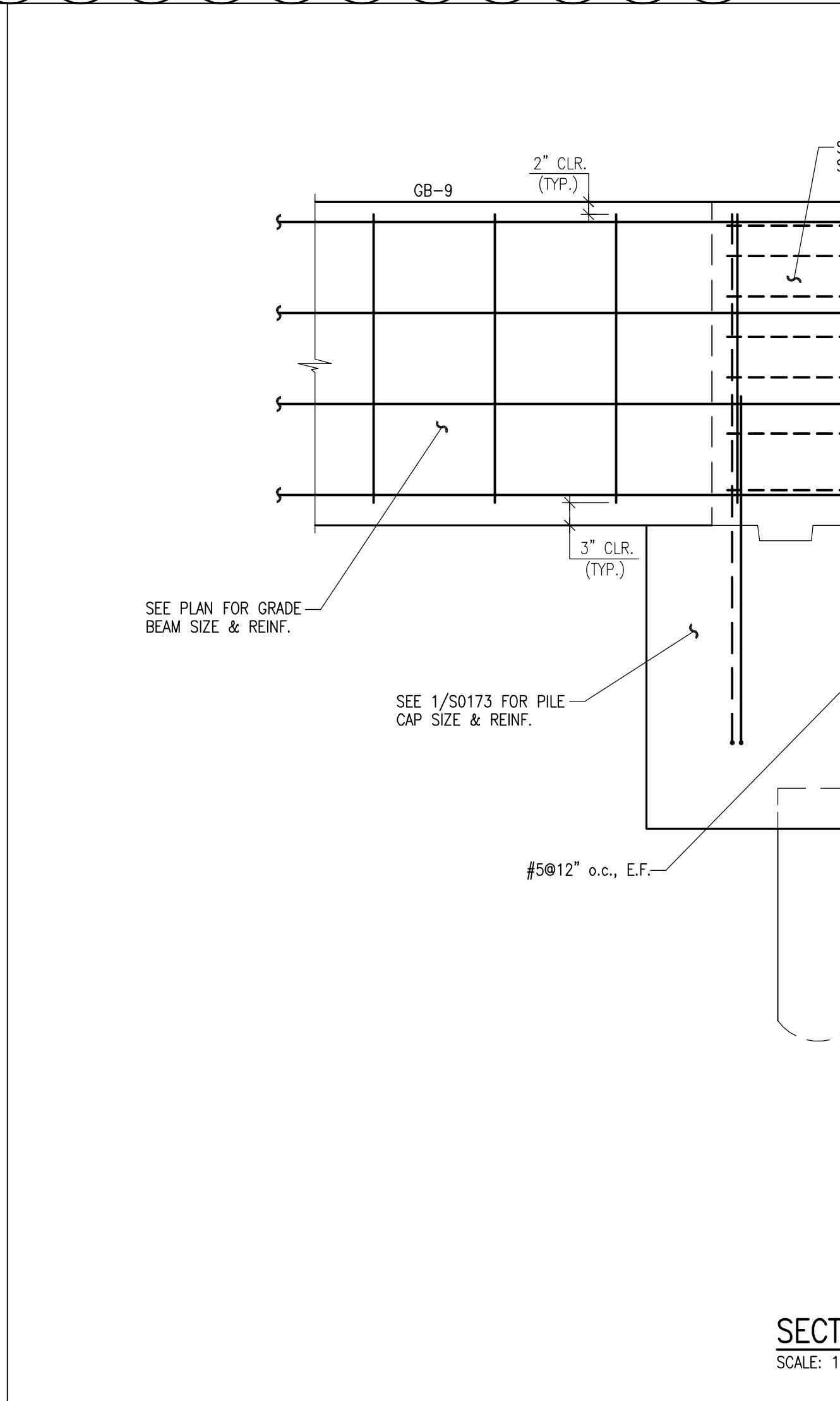
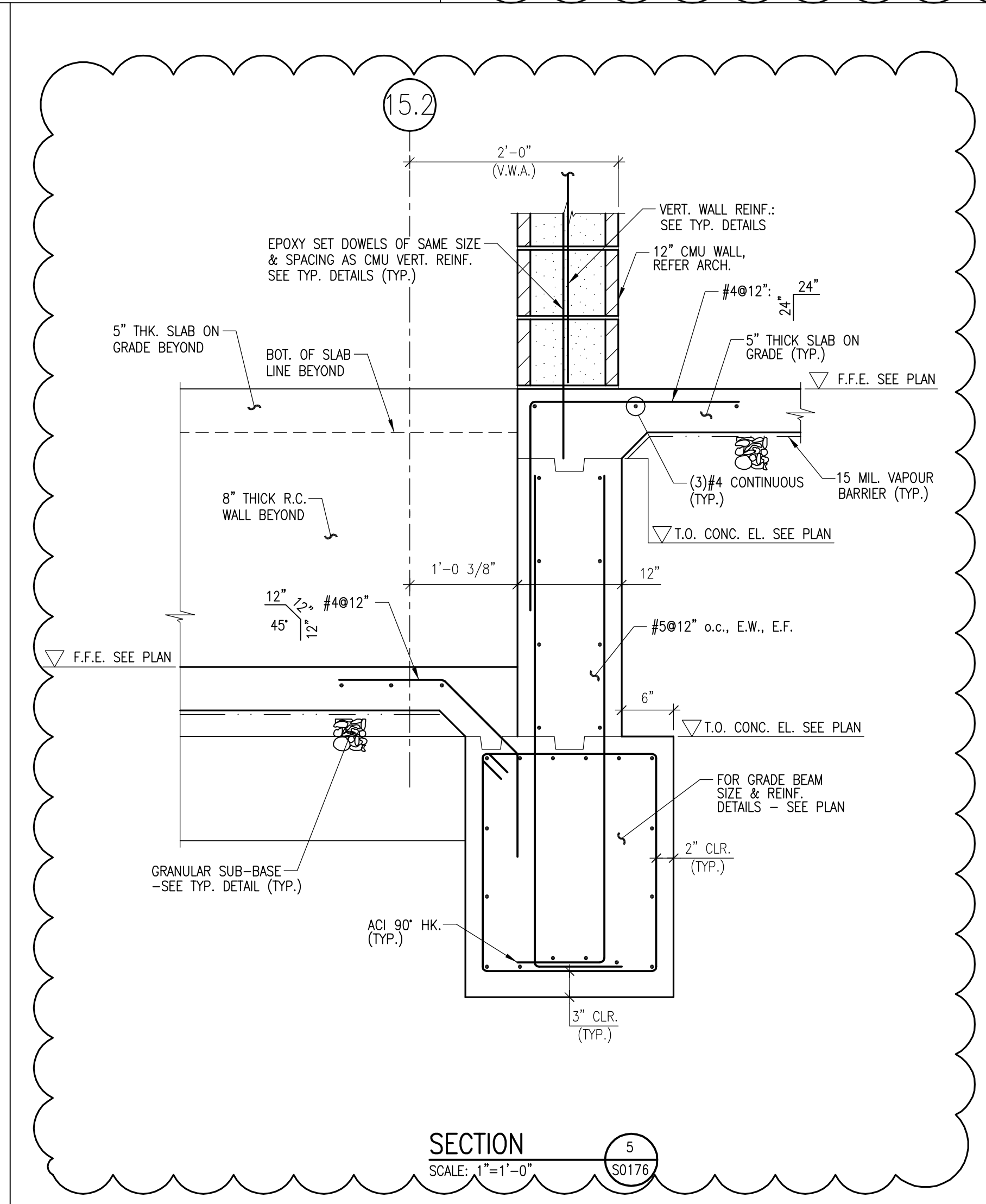
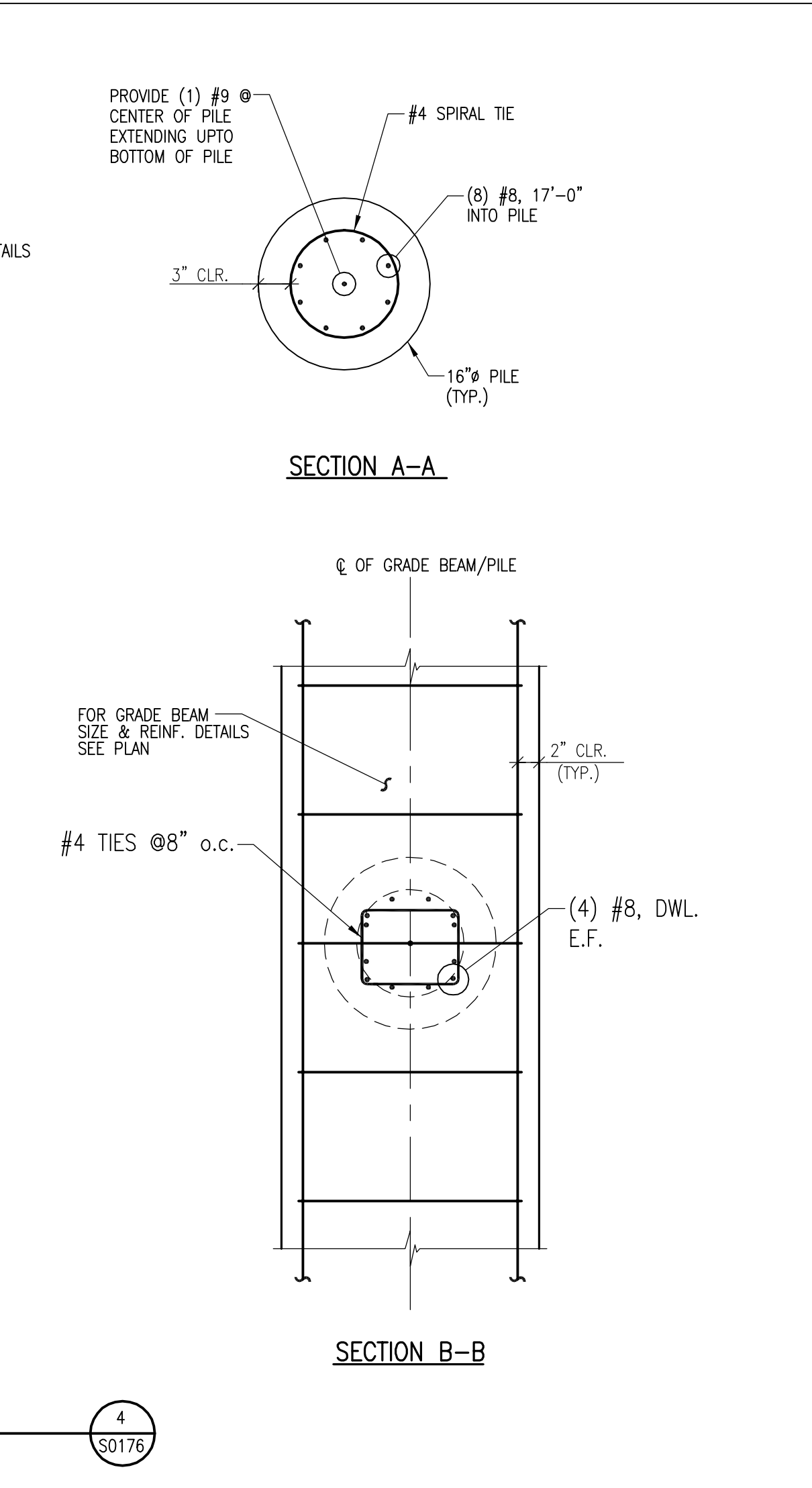
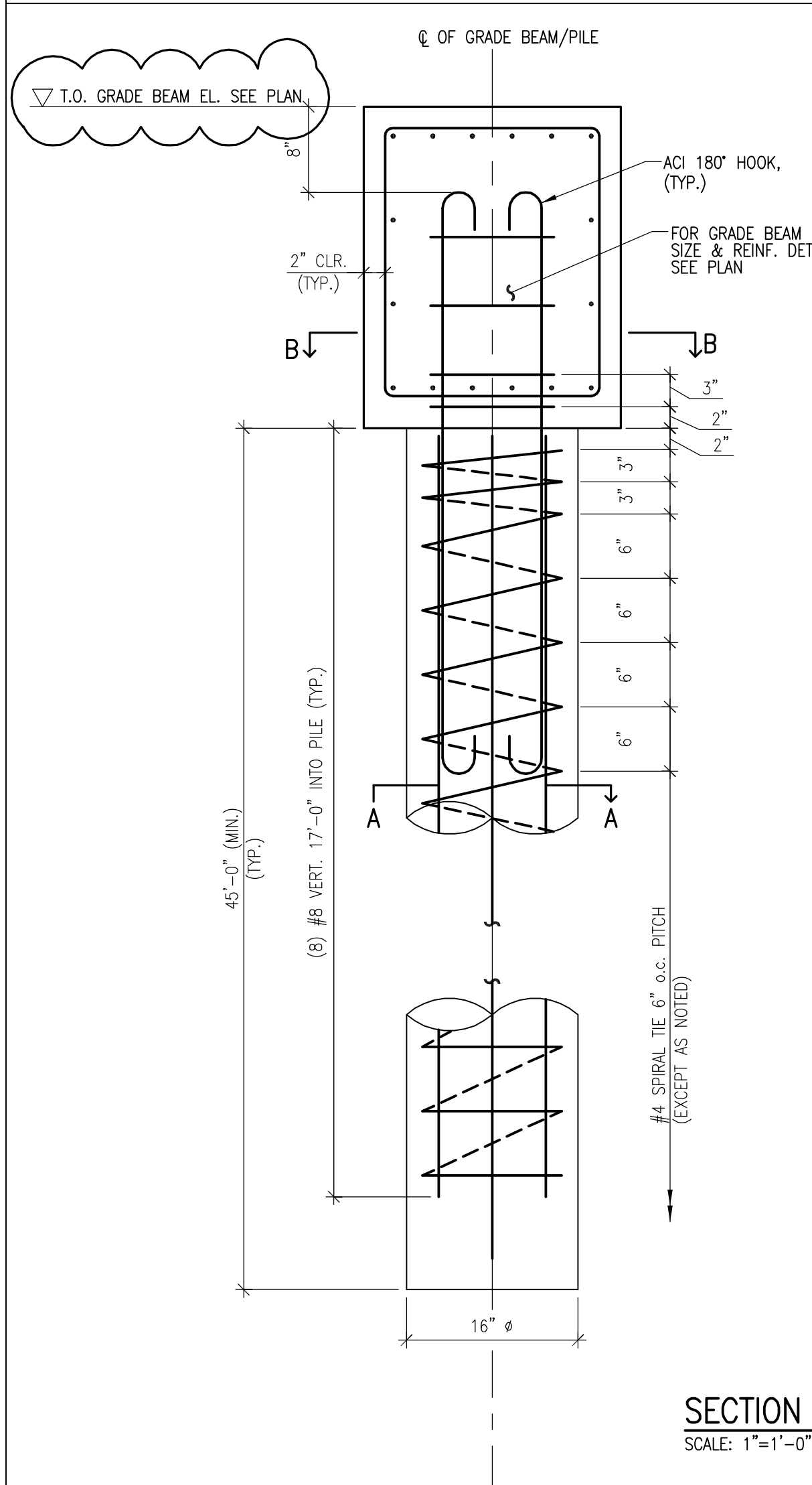
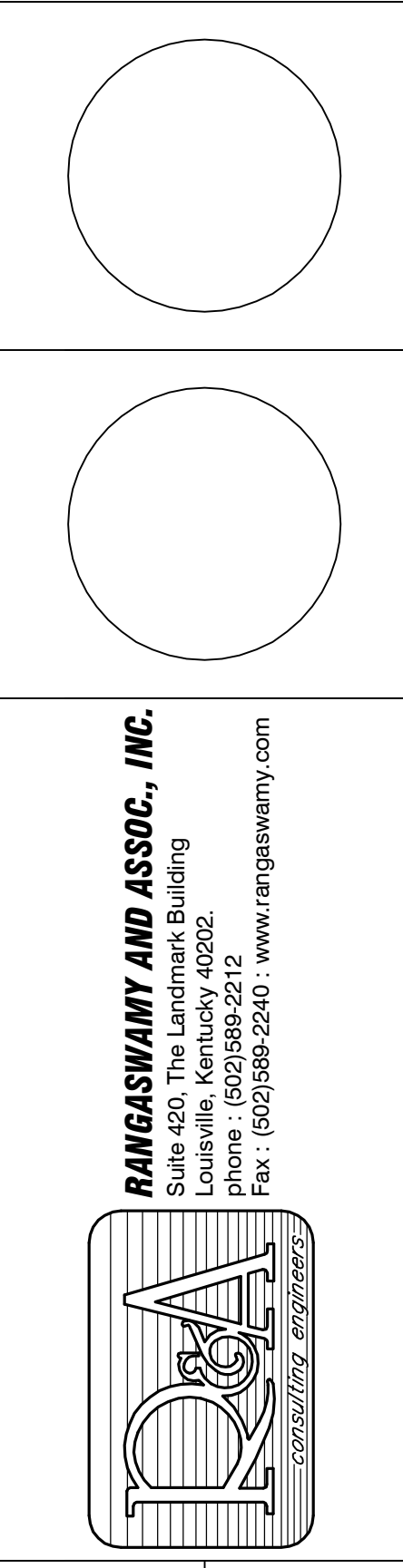


DISCLAIMER NOTE:
THIS SET OF CONSTRUCTION DRAWINGS HAS BEEN UPDATED TO INCLUDE ANY CHANGES ISSUED THROUGH ADDENDUM OR OTHER MEANS. EVERY EFFORT HAS BEEN TAKEN TO INCLUDE ALL CHANGES TO DATE. THE CONTRACTOR IS STILL RESPONSIBLE FOR PROVIDING ANY ITEMS THAT WERE SHOWN AS PART OF THE ORIGINAL BID SET THAT MAY HAVE BEEN OVERLOOKED AND NOT INCLUDED IN THIS SET.

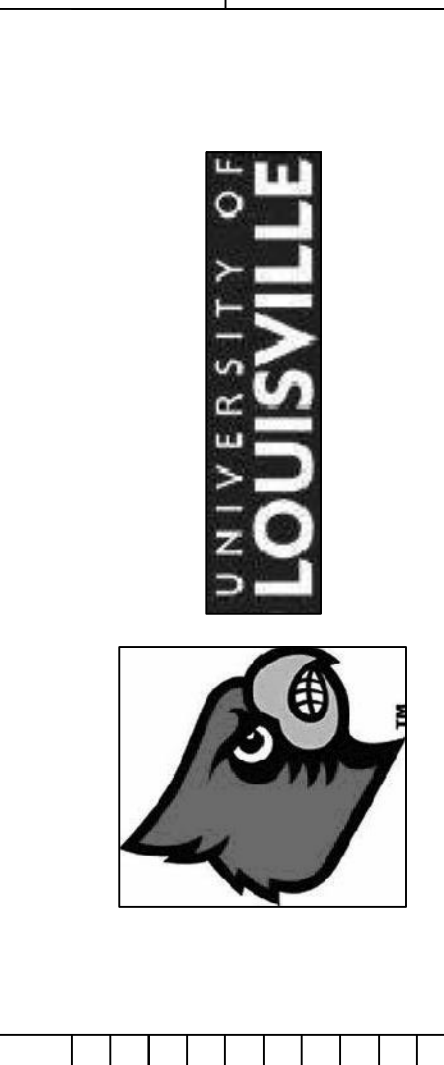


© Cannon Design 2010. All rights reserved. This document may be reproduced or distributed in any form or by any means without prior written authorization by Cannon Design.

University of Louisville - Student Recreation Center (Phase #4 - Construction Set) Louisville, Ky



212 North Upper Street
Lexington, Kentucky 40507-1001
p 859.252.6664 f 859.253.2358
www.omniarchitects.com



SECTIONS AND DETAILS		Revision Date
Drawing Name:	SECTIONS AND DETAILS	
U of L Project Number:	Omni - 1105.000	
Project Number:	Omni - 1105.000	
Date:	April 16, 2012	
Drawn By:	VPP	
Checked By:	ANTHONY	

S0176