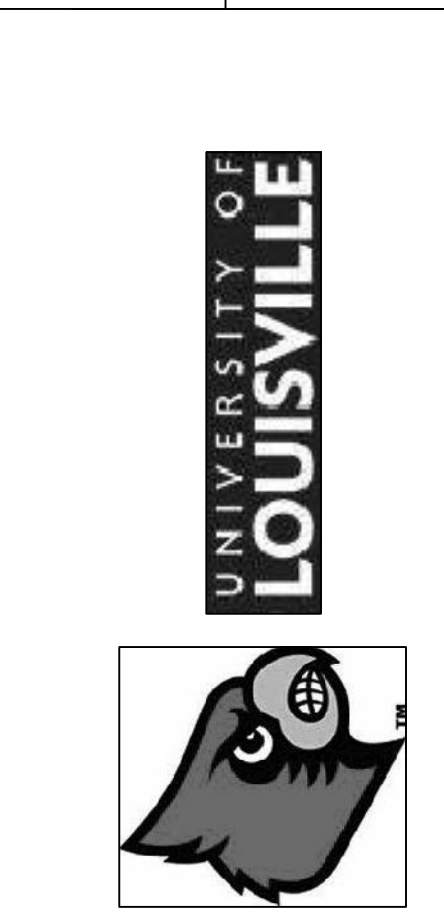


RANGASWAMY AND ASSOC., INC.
 Suite 420, The Landmark Building
 Louisville, KY 40202
 Phone: (502) 588-2242 Fax: (502) 588-2240 www.rangaswamy.com

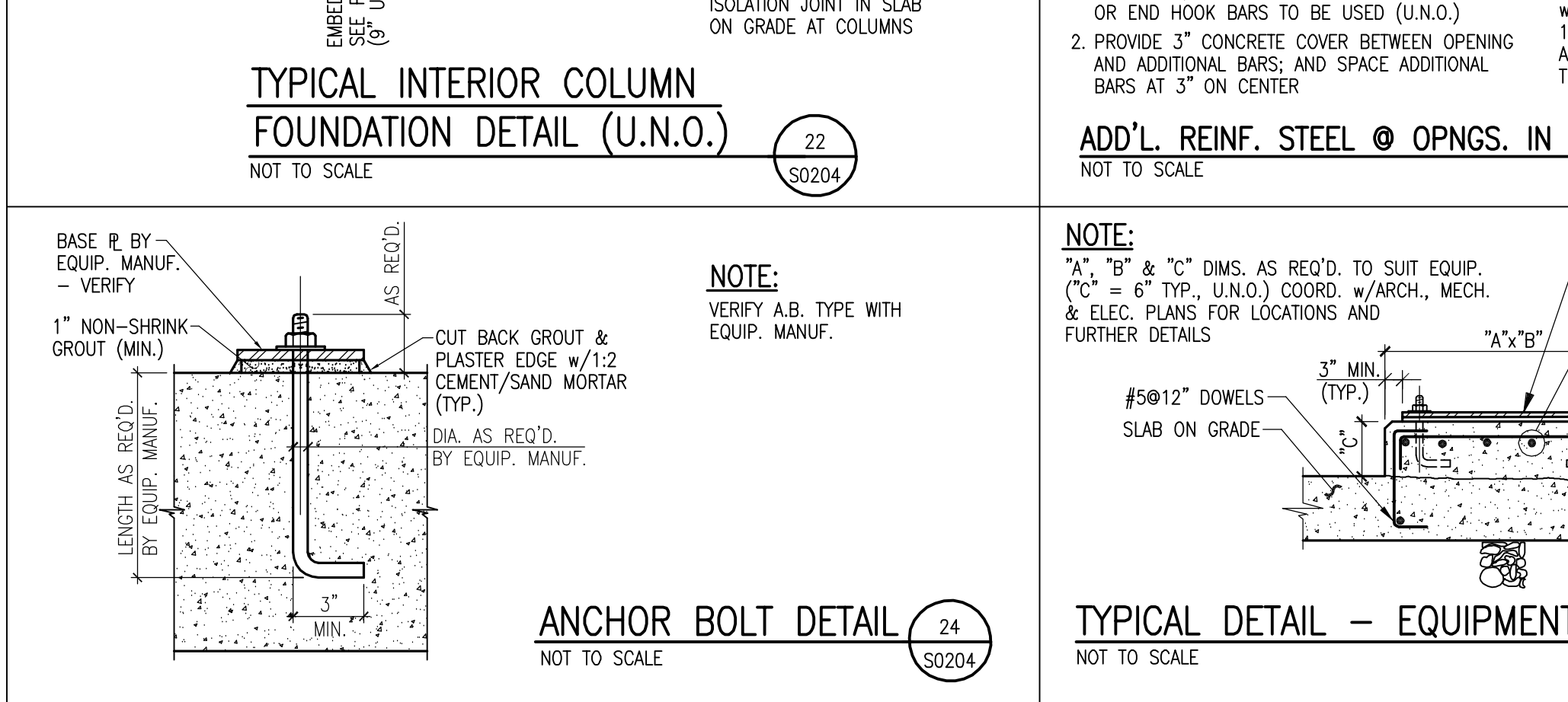
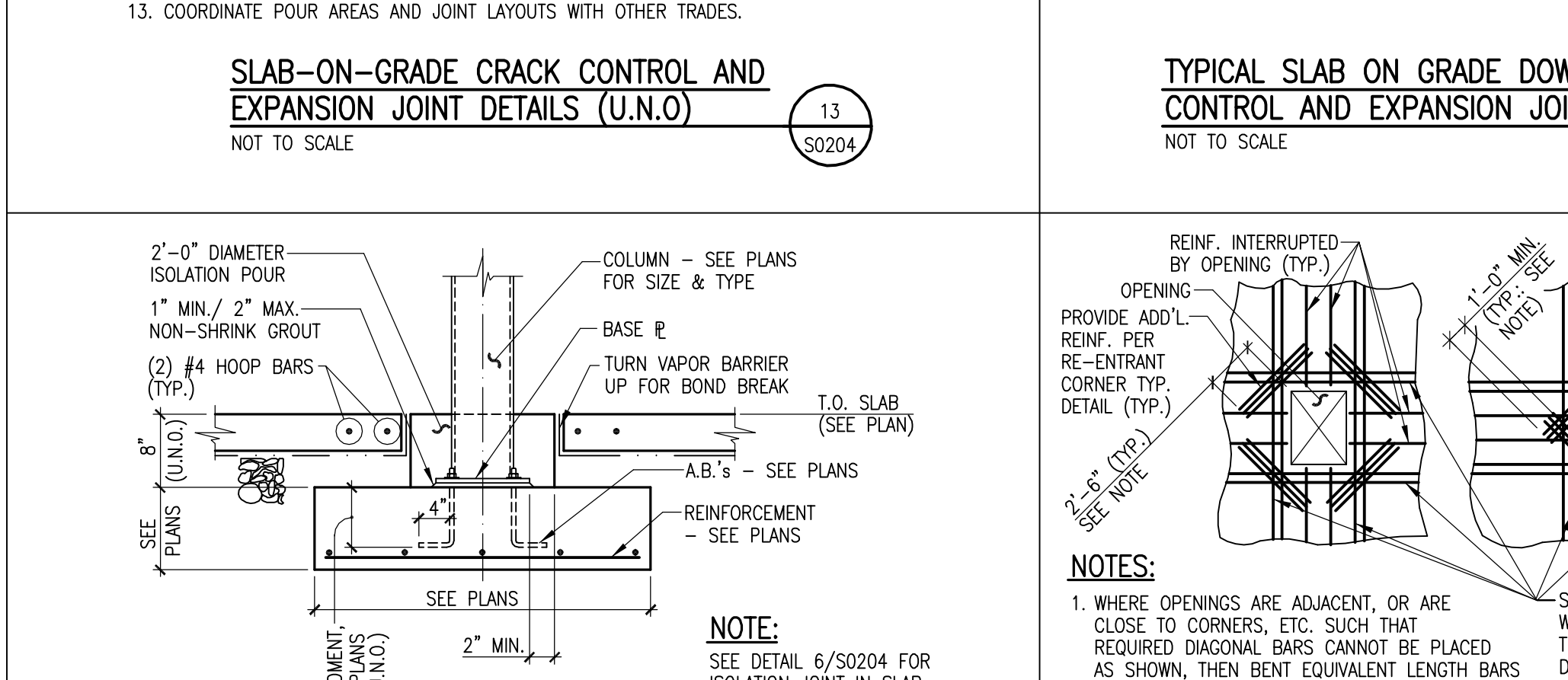
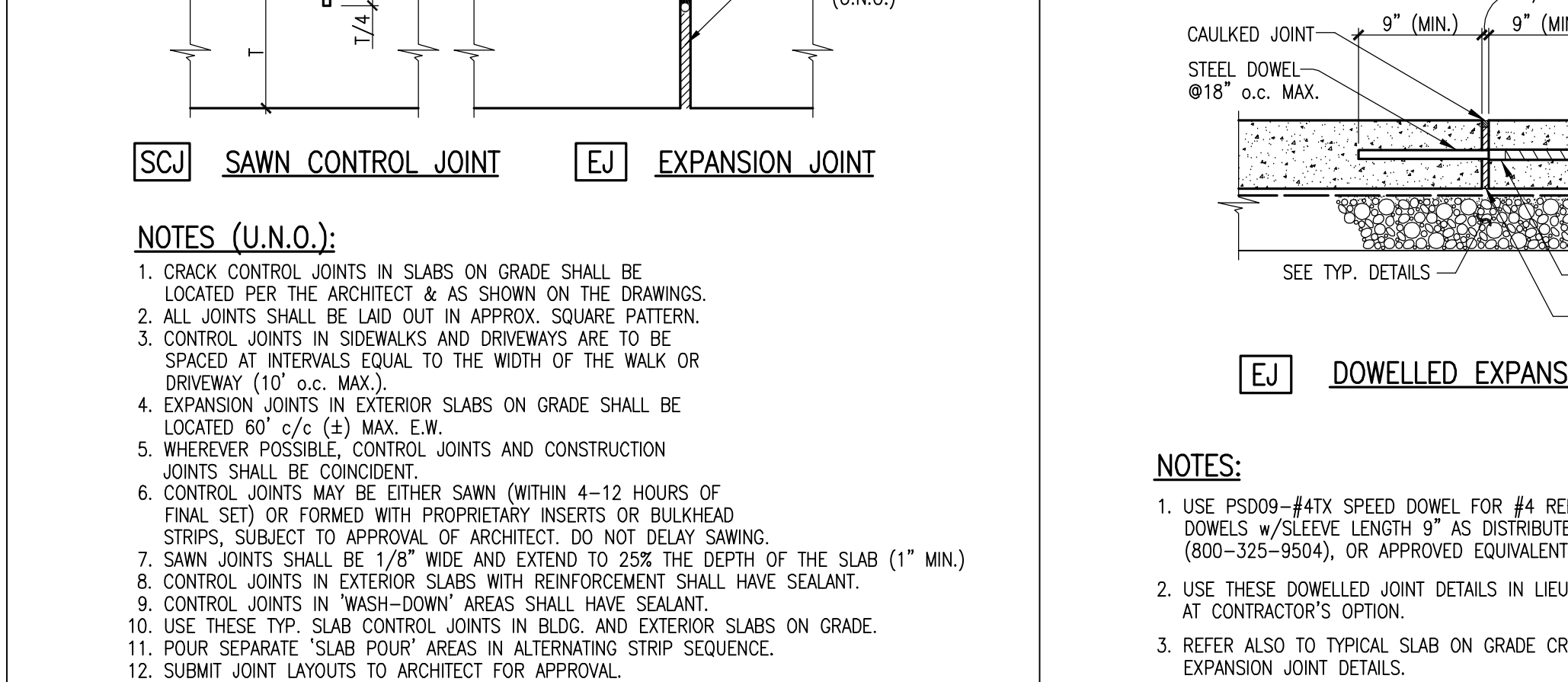
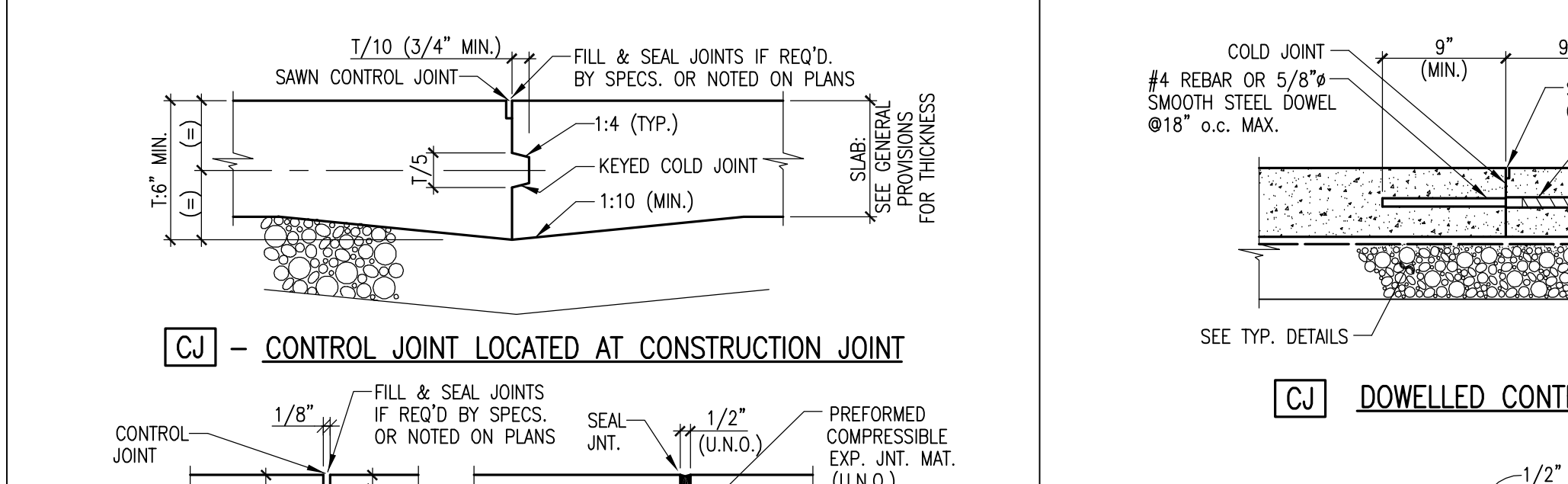
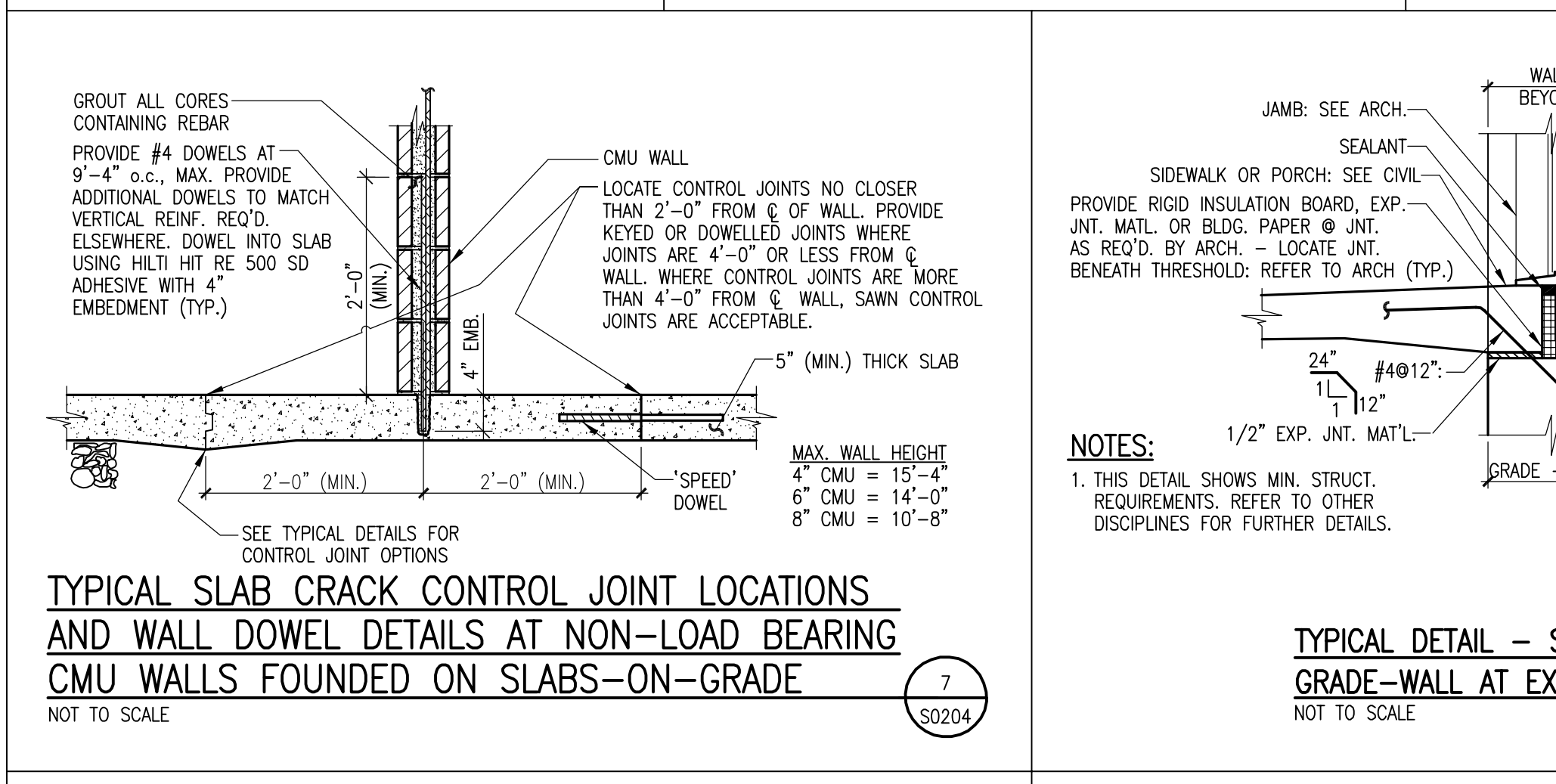
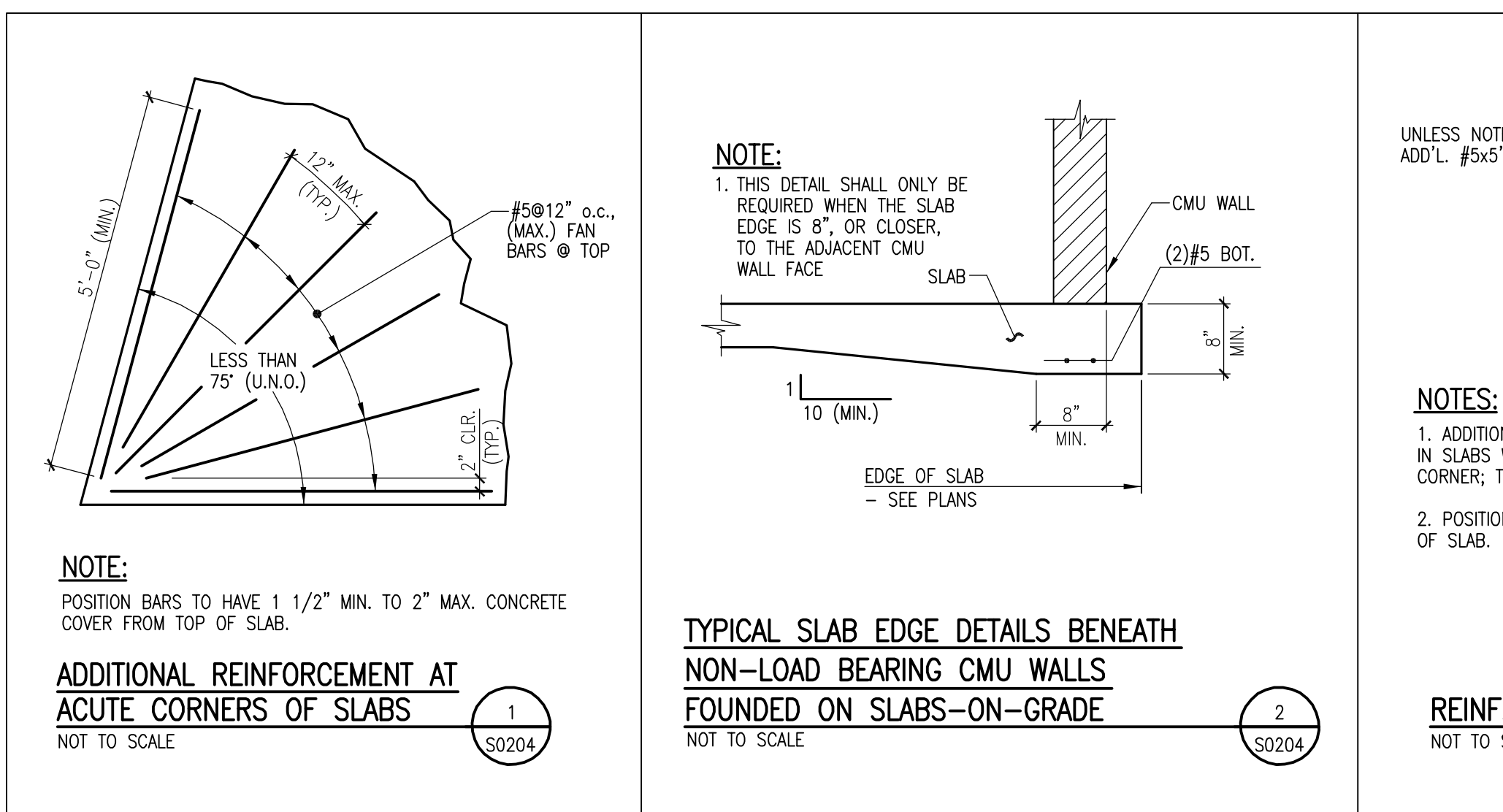
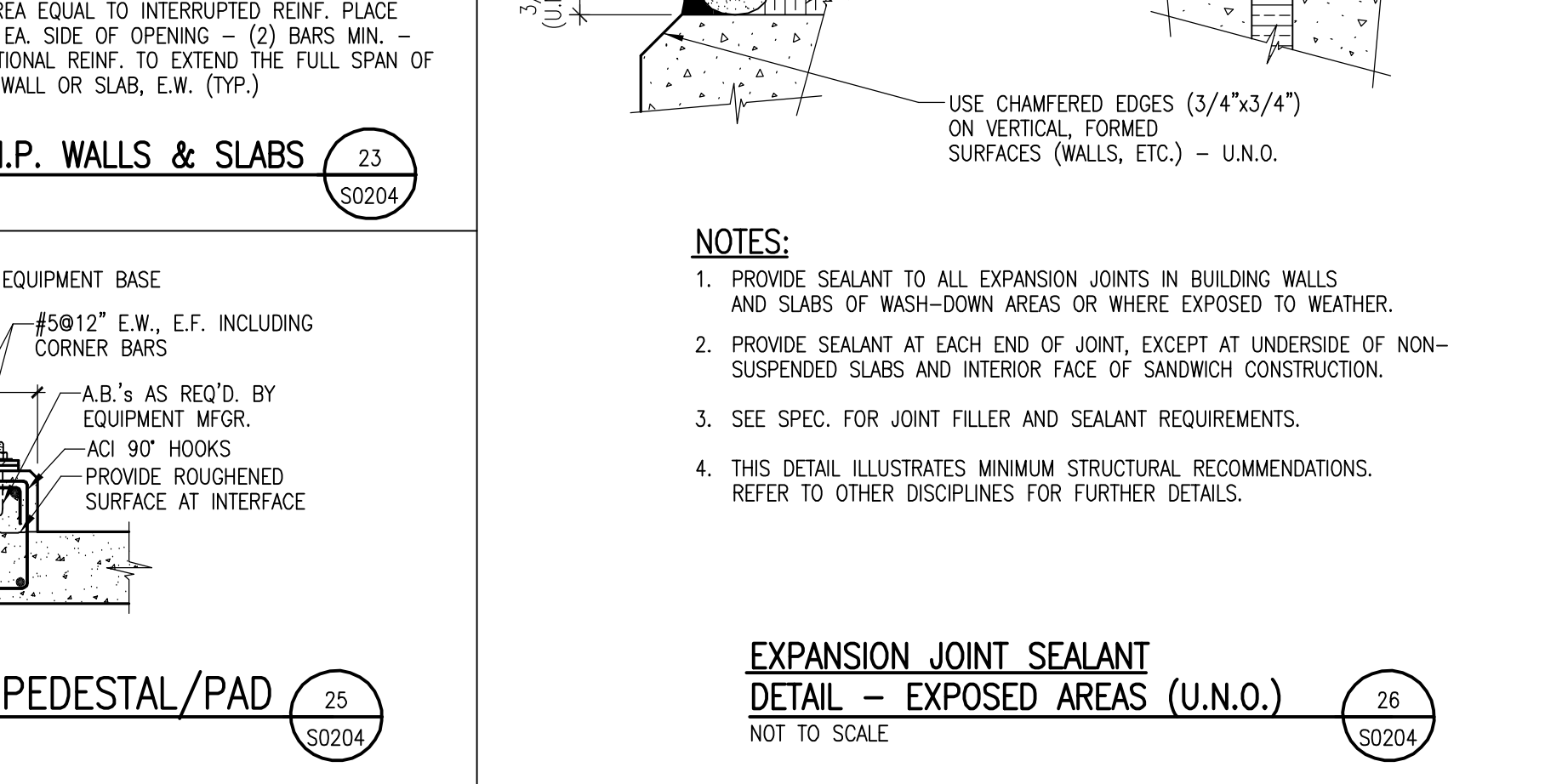
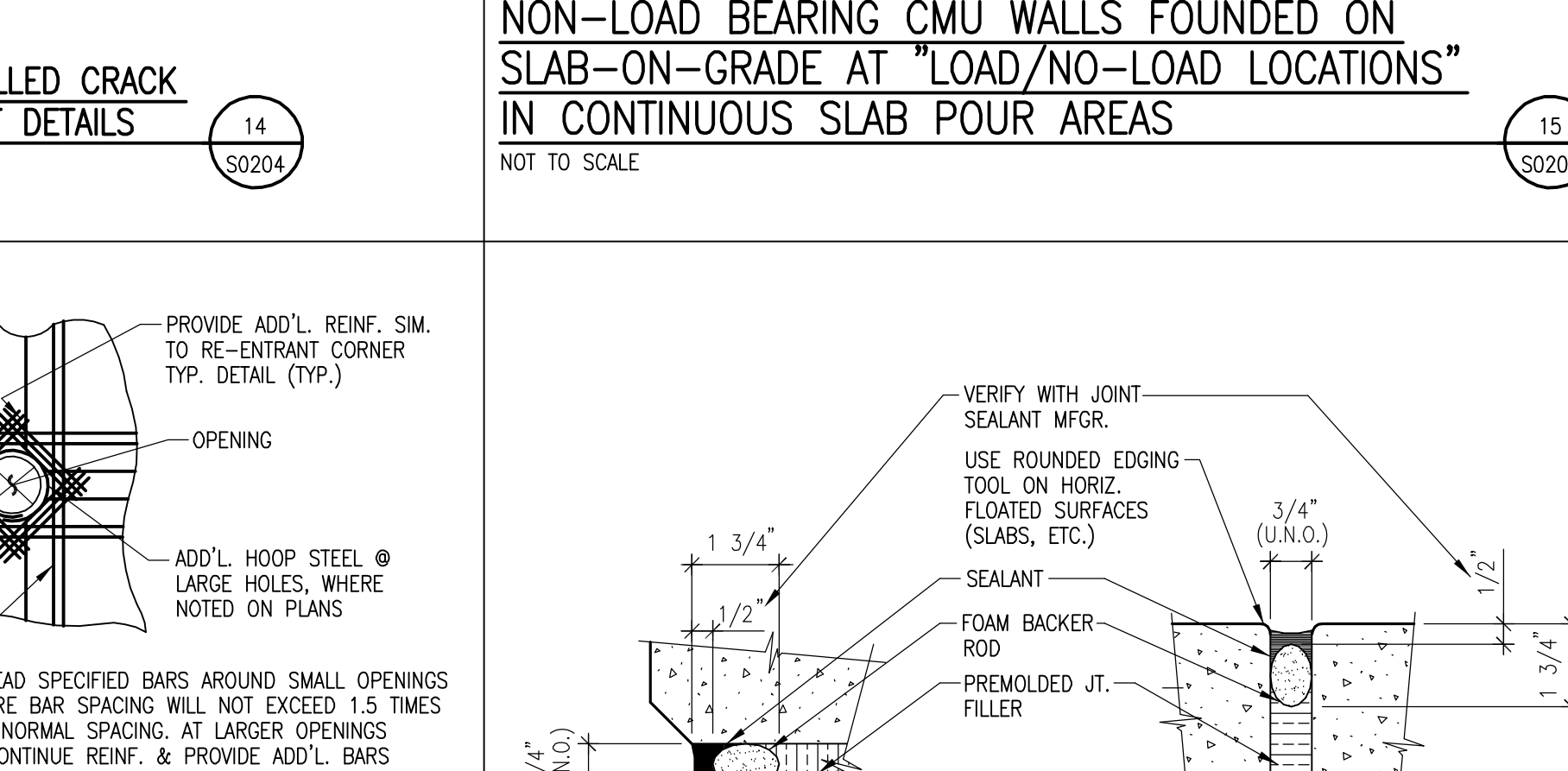
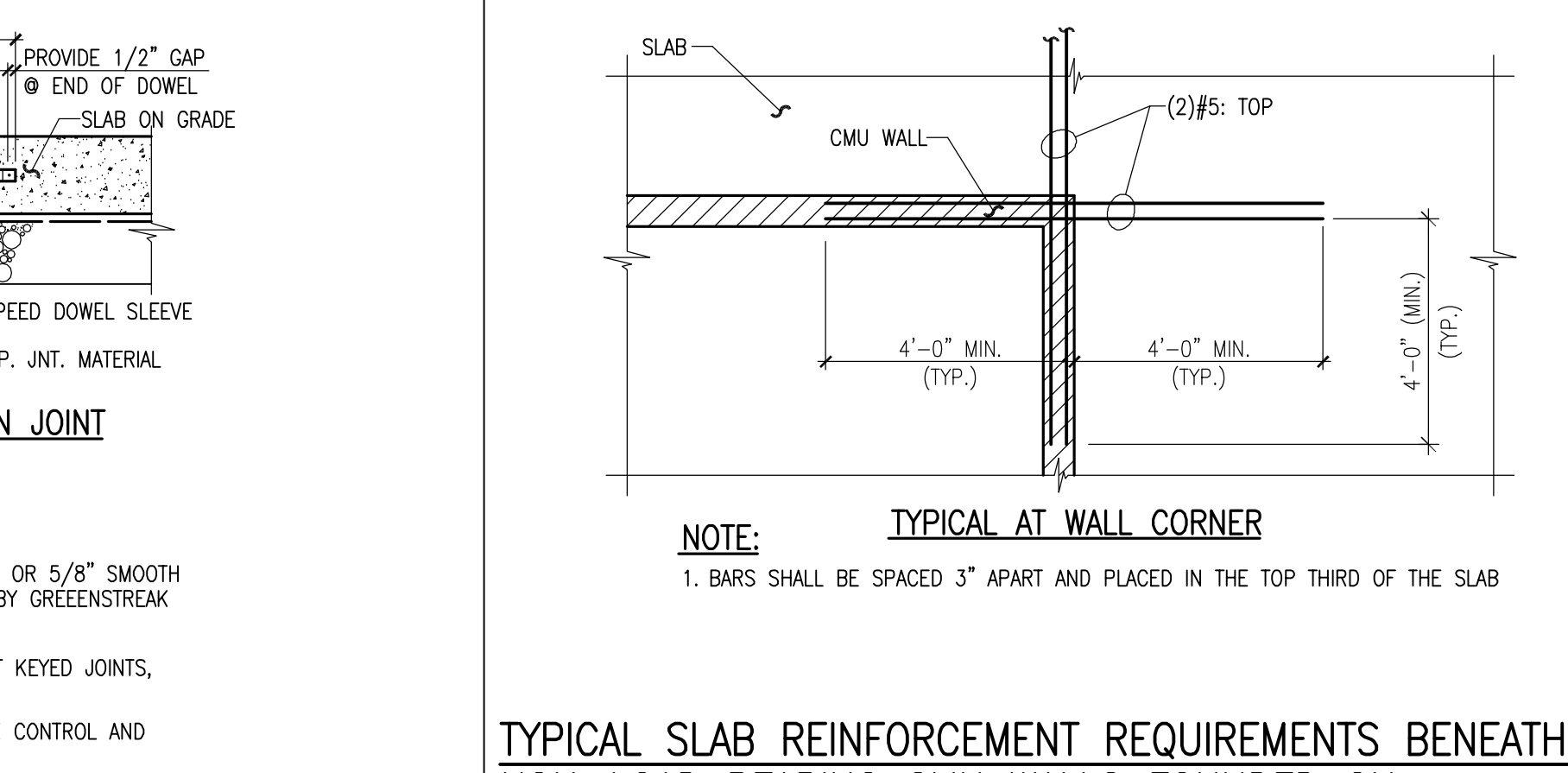
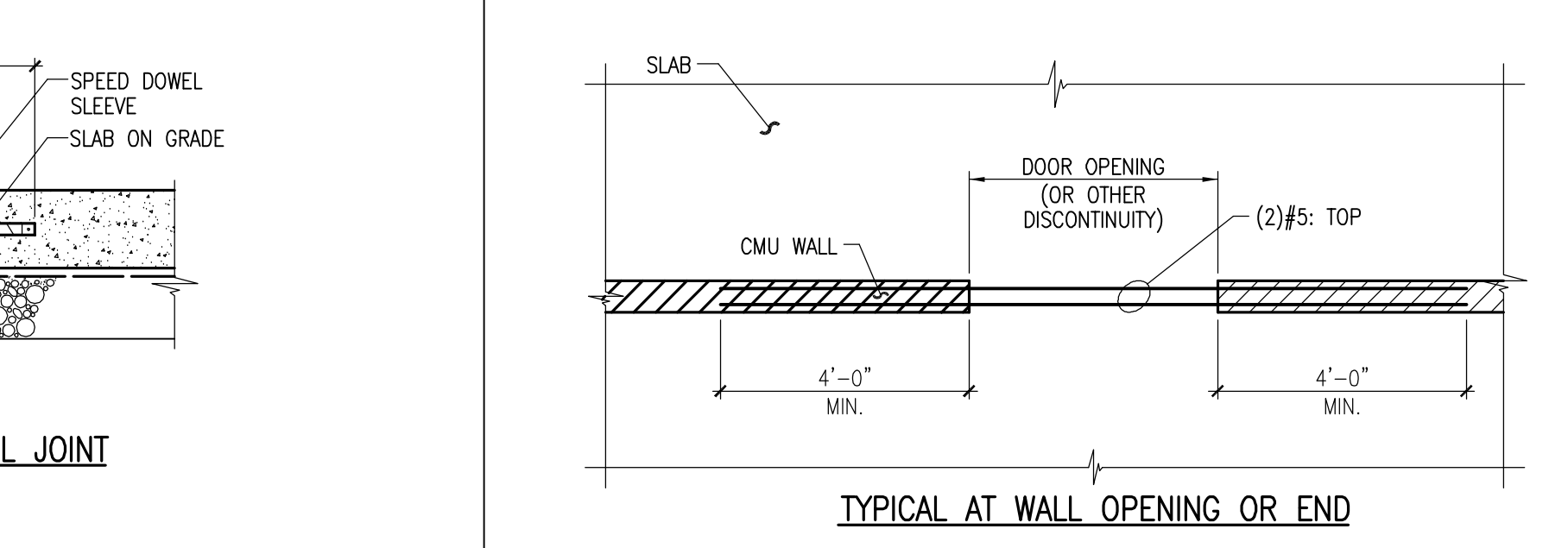
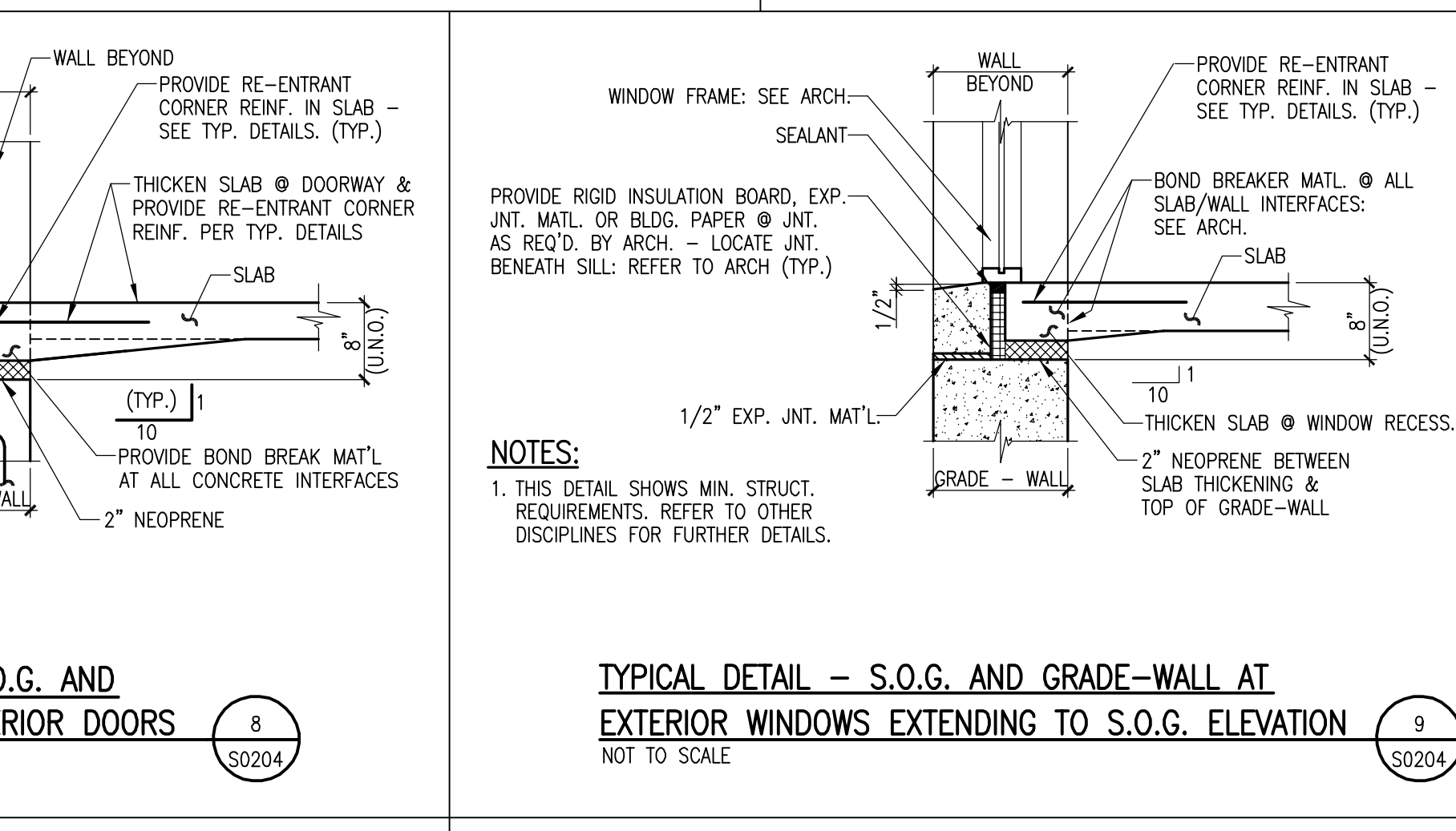
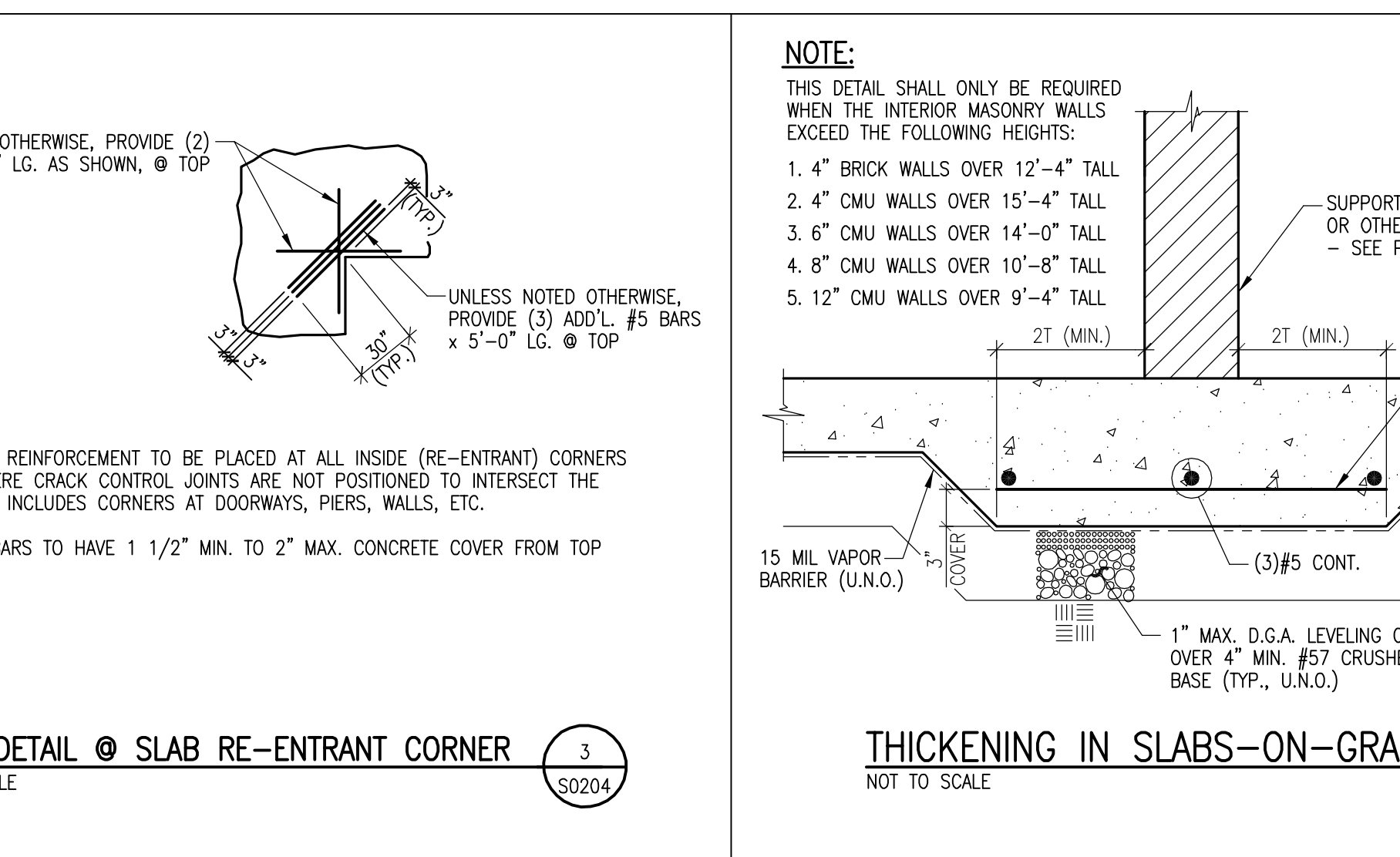
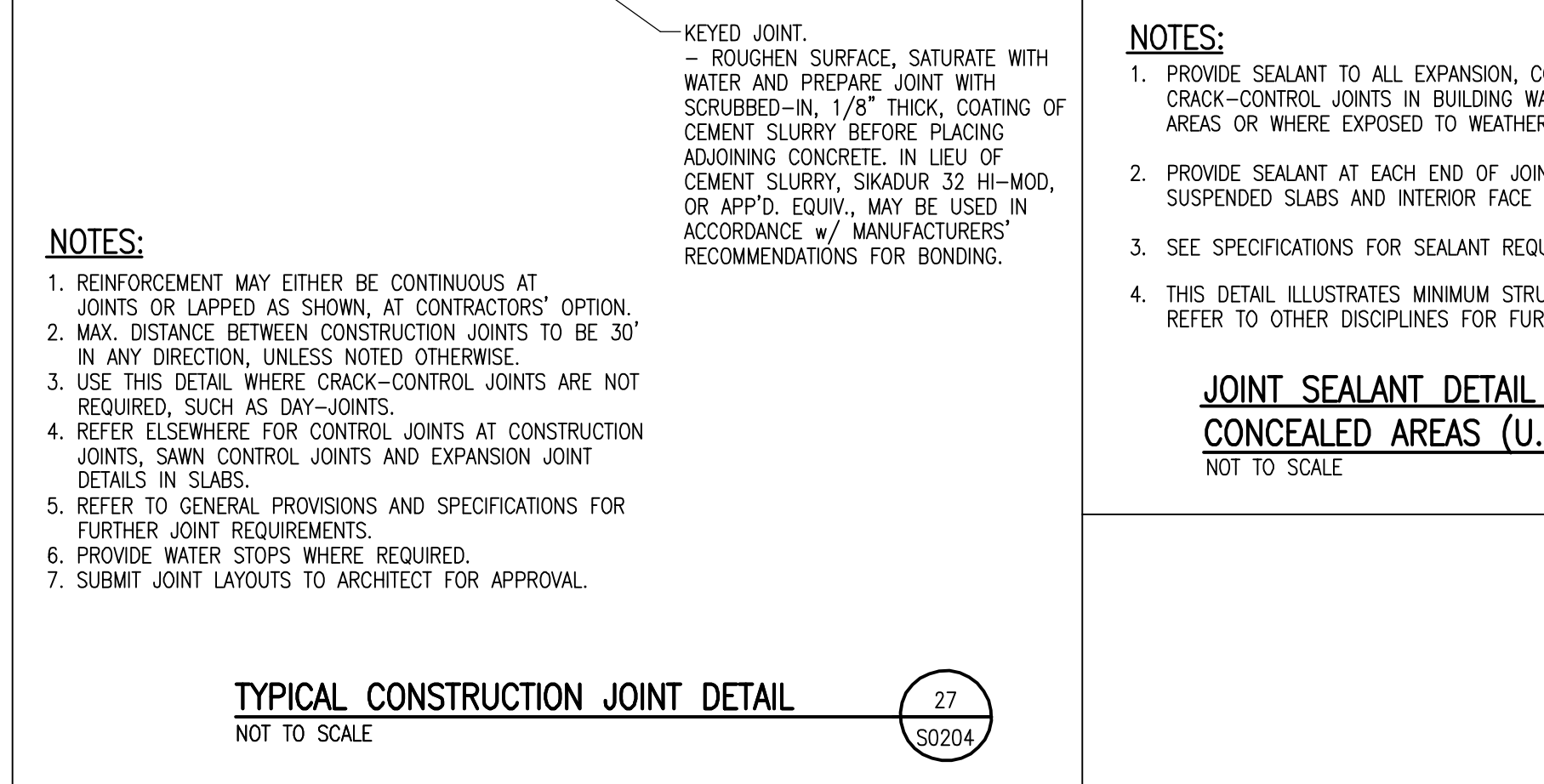
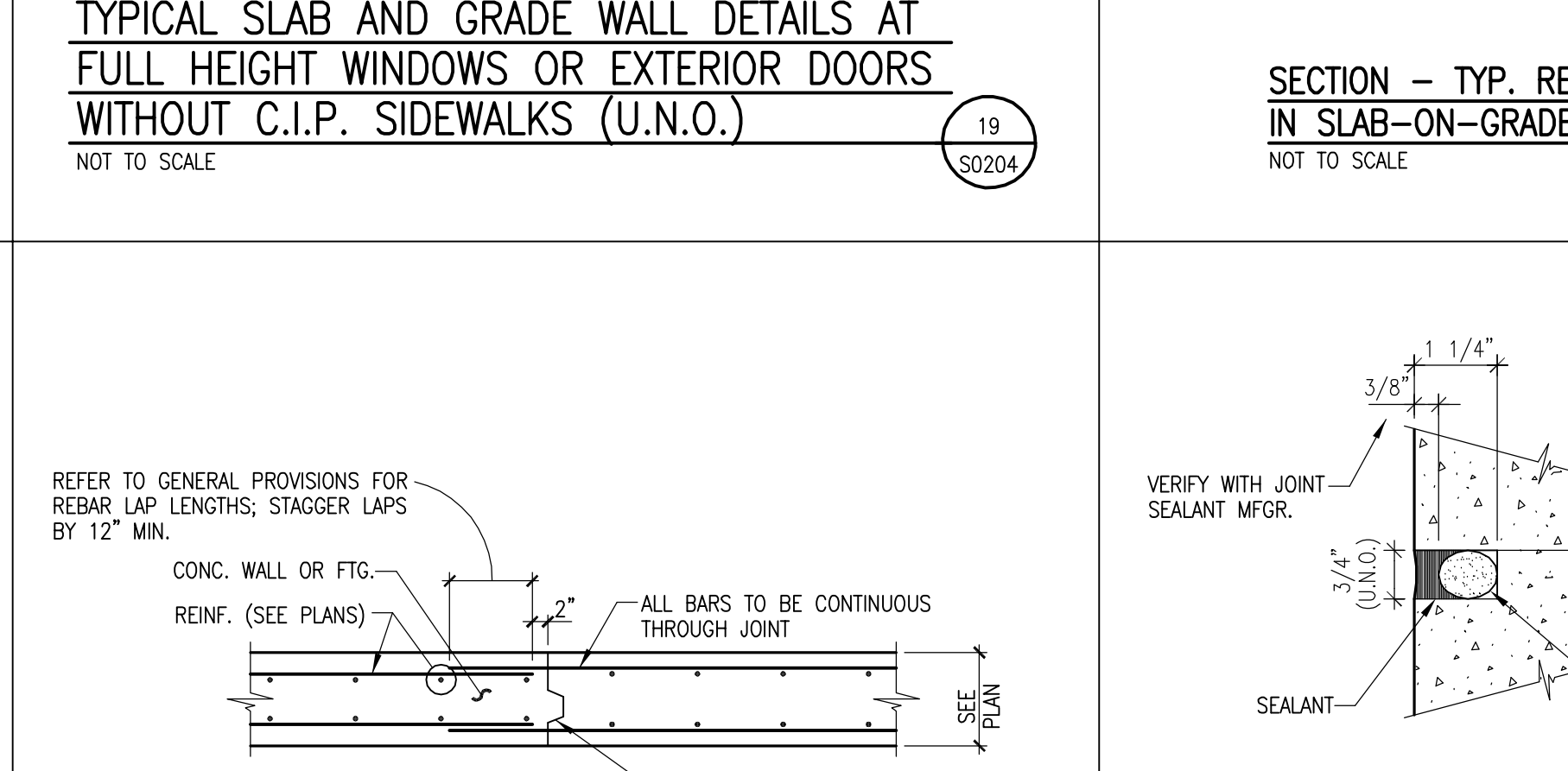
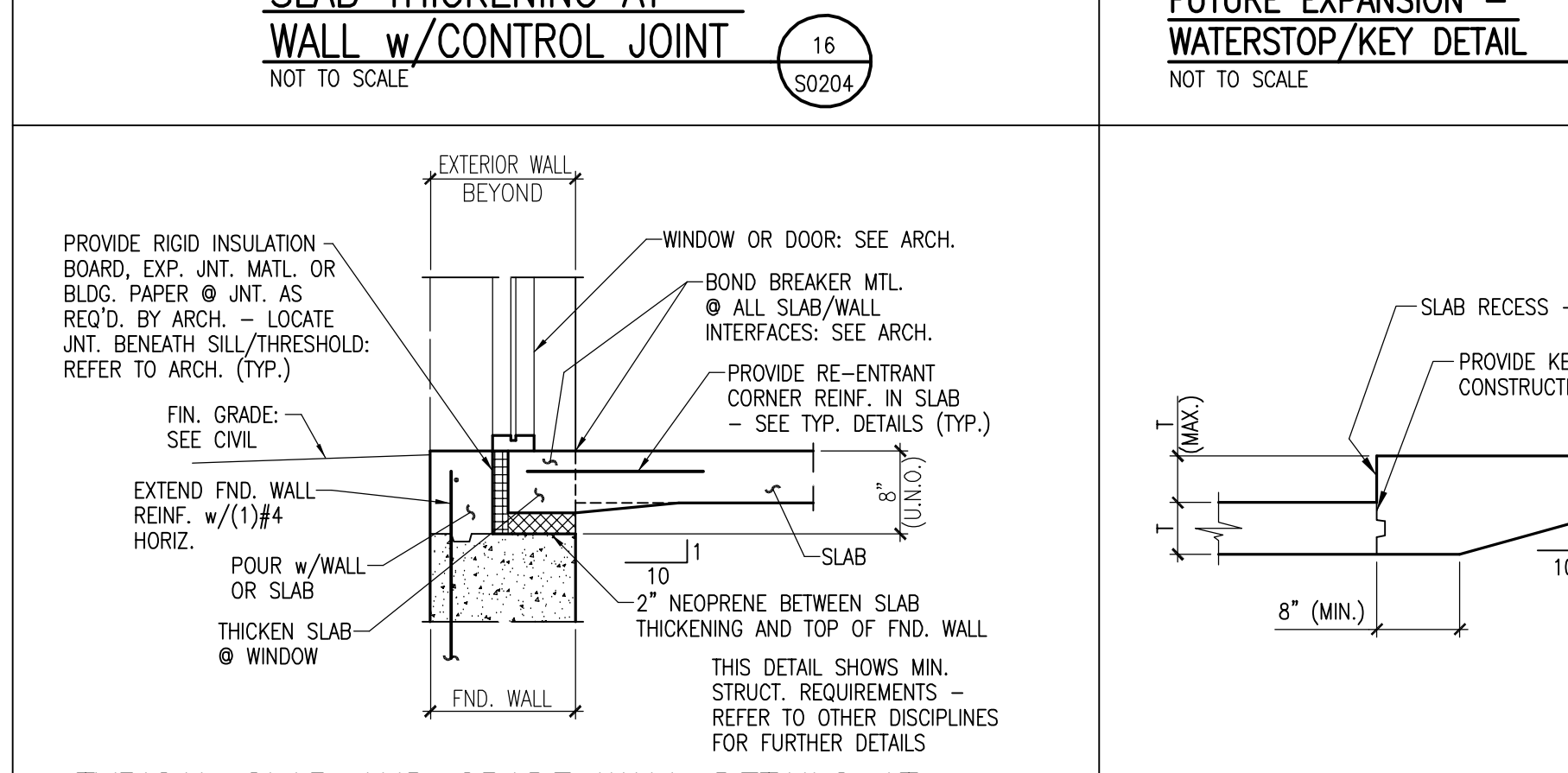
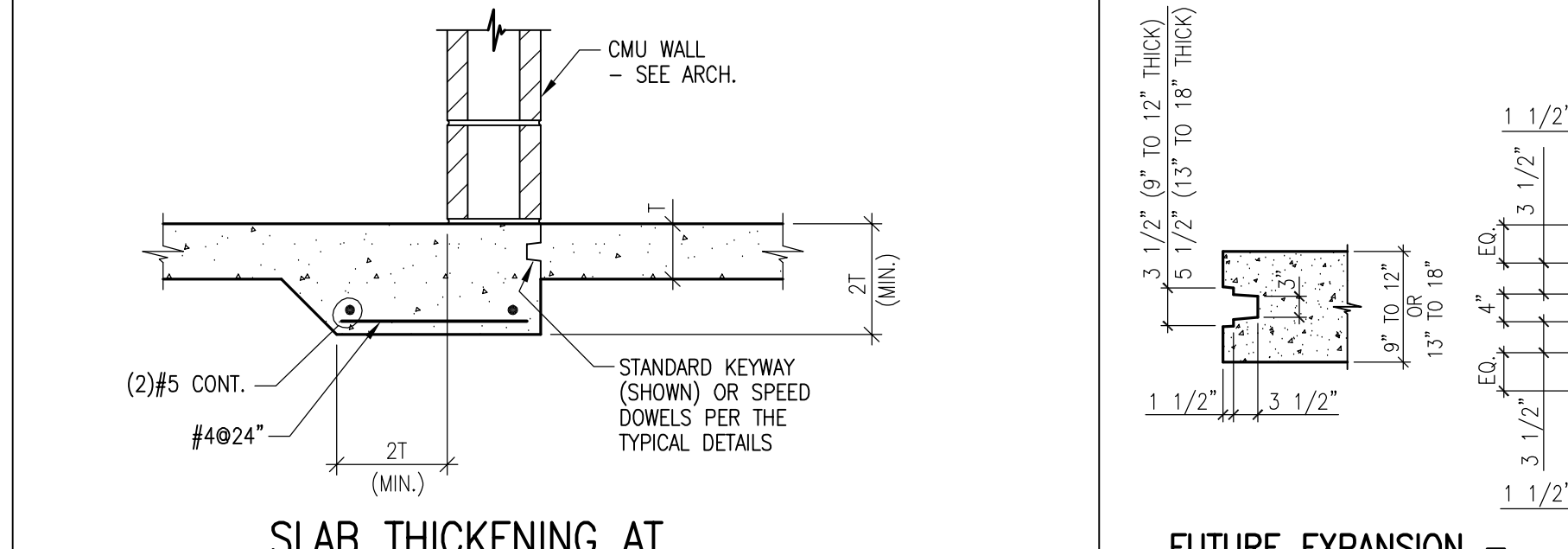
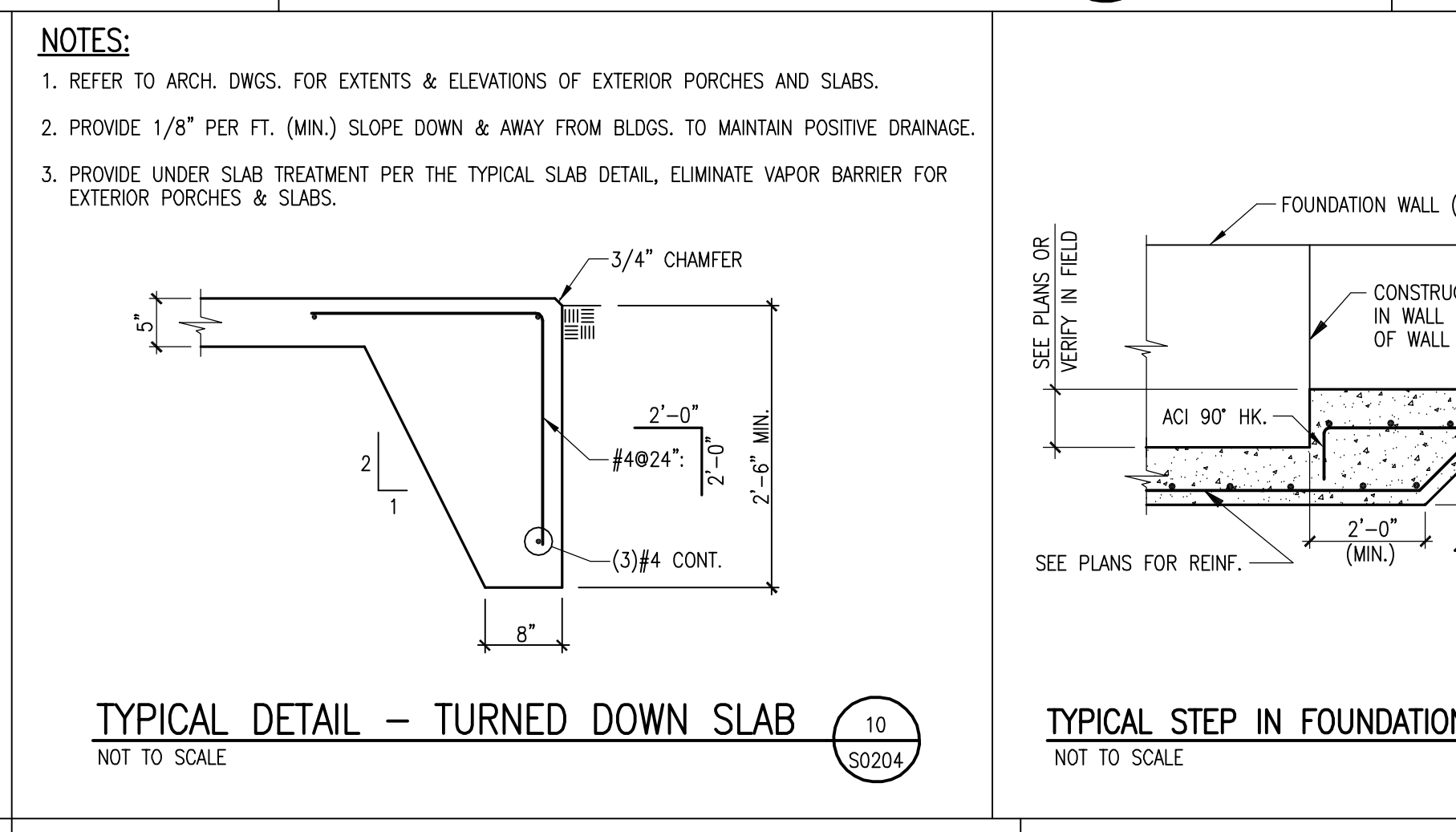
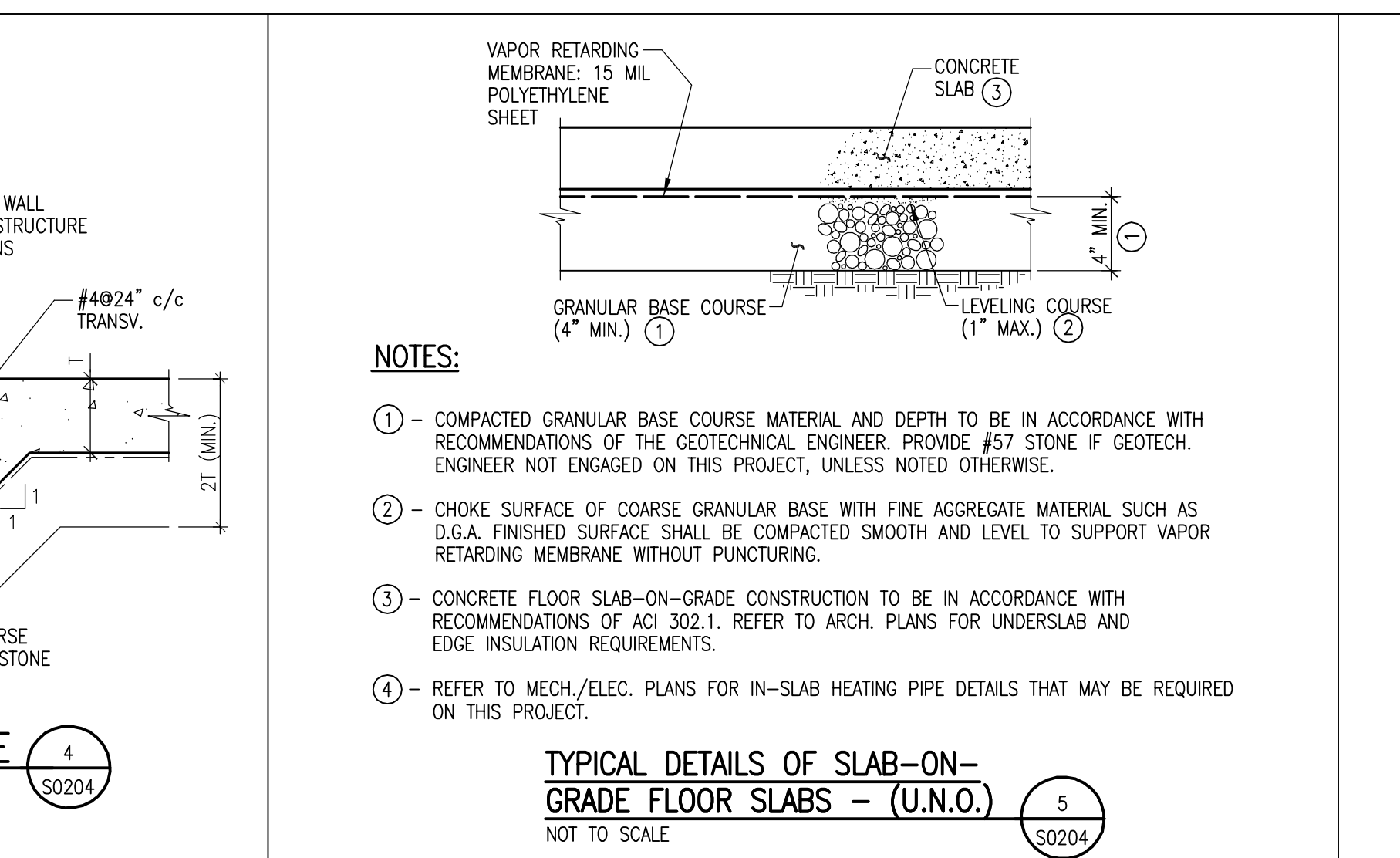
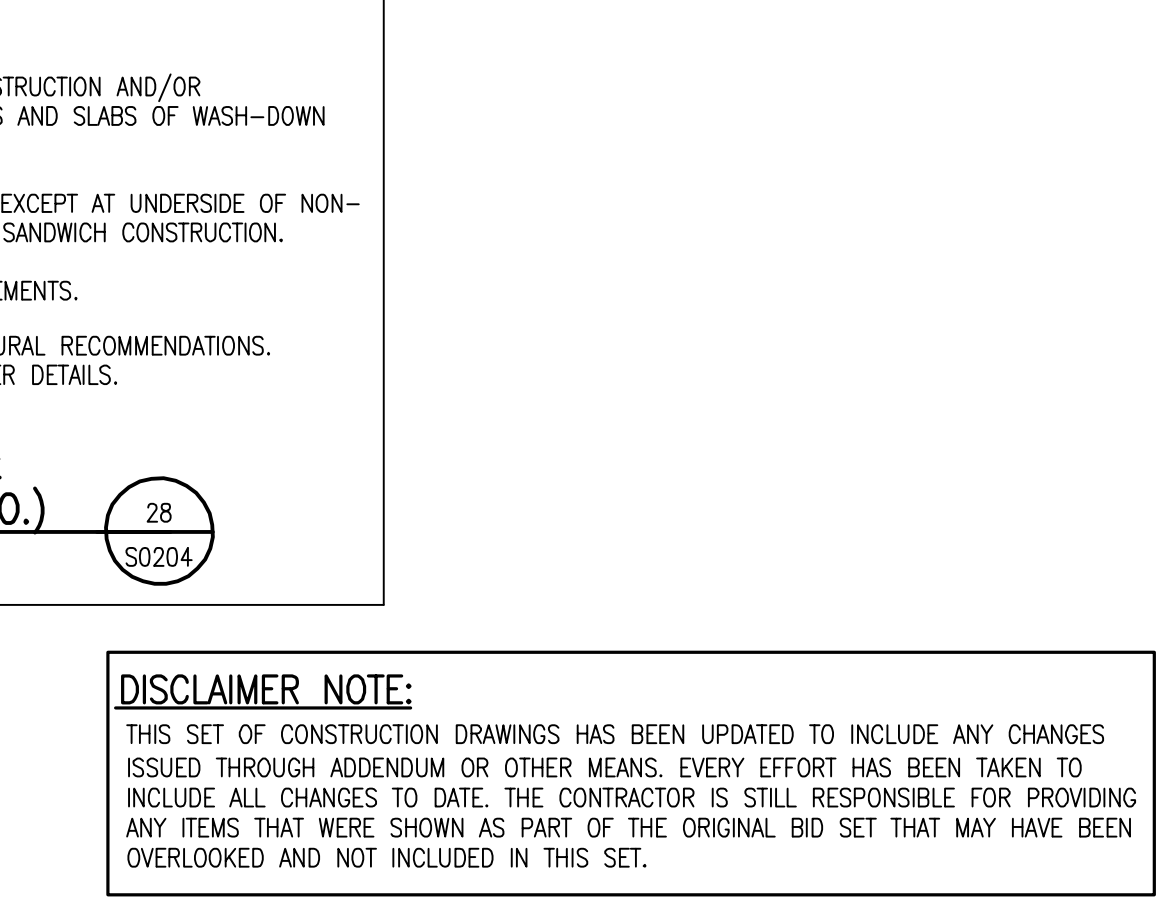
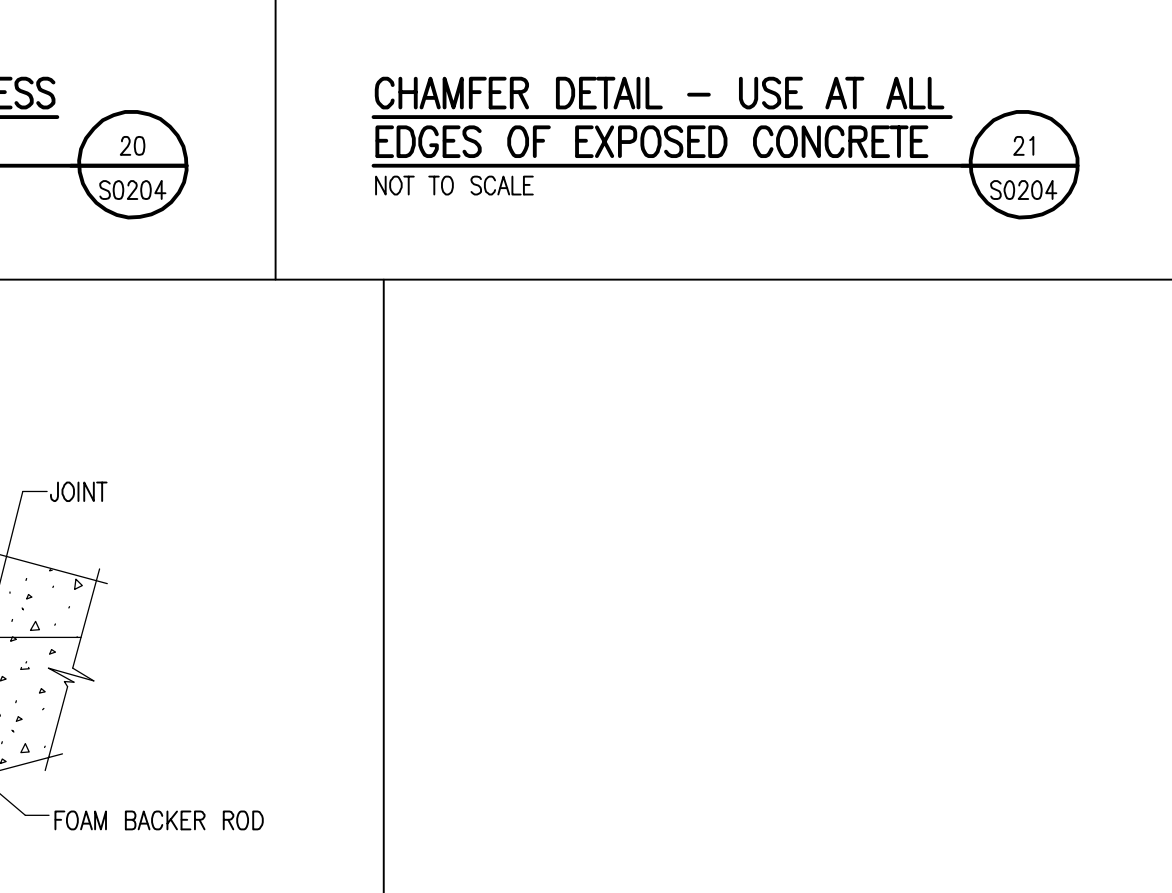
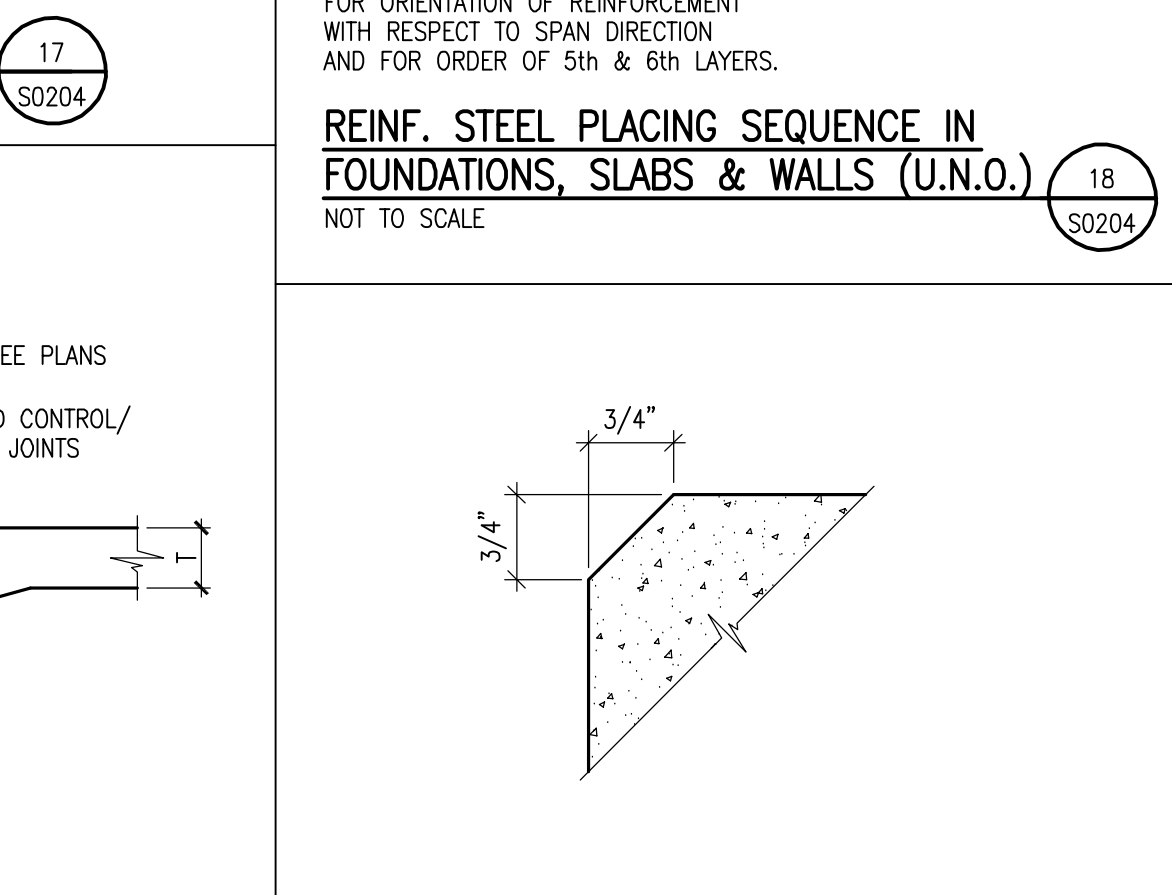
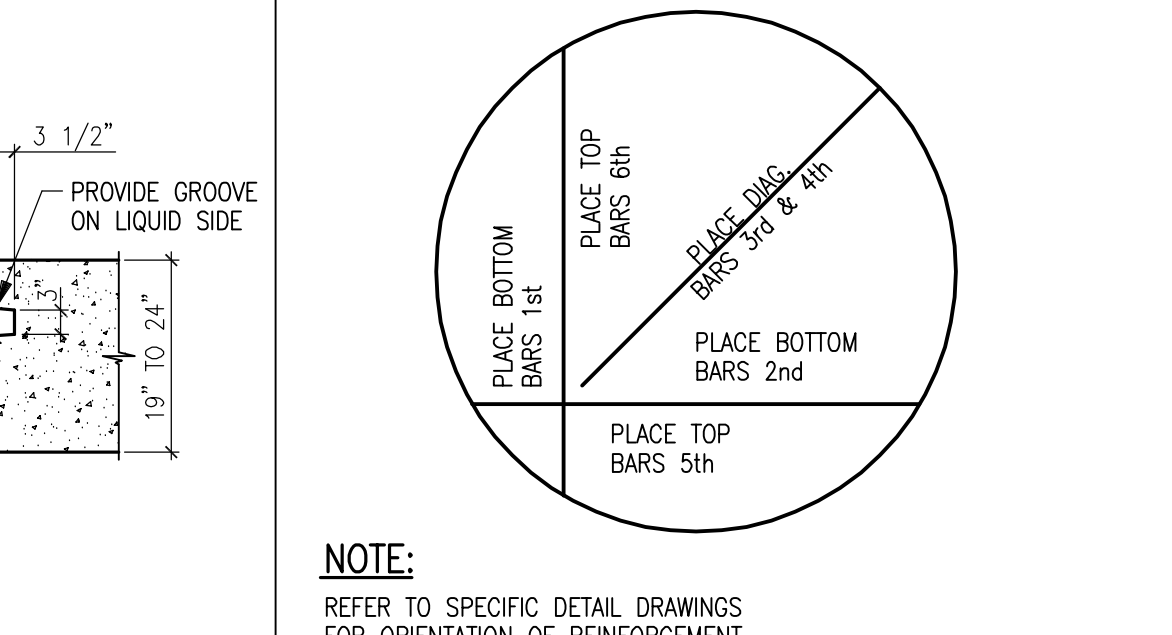
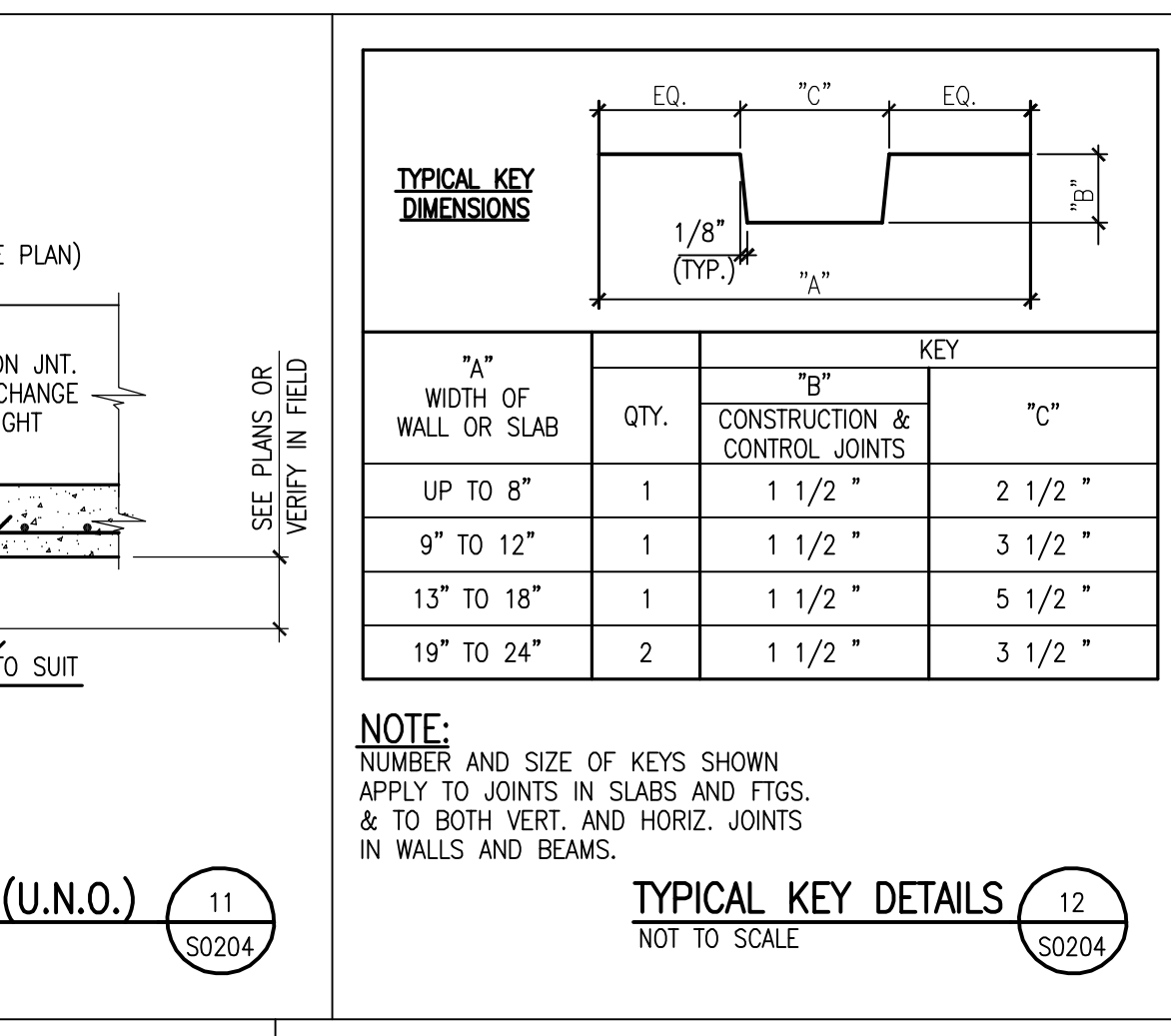
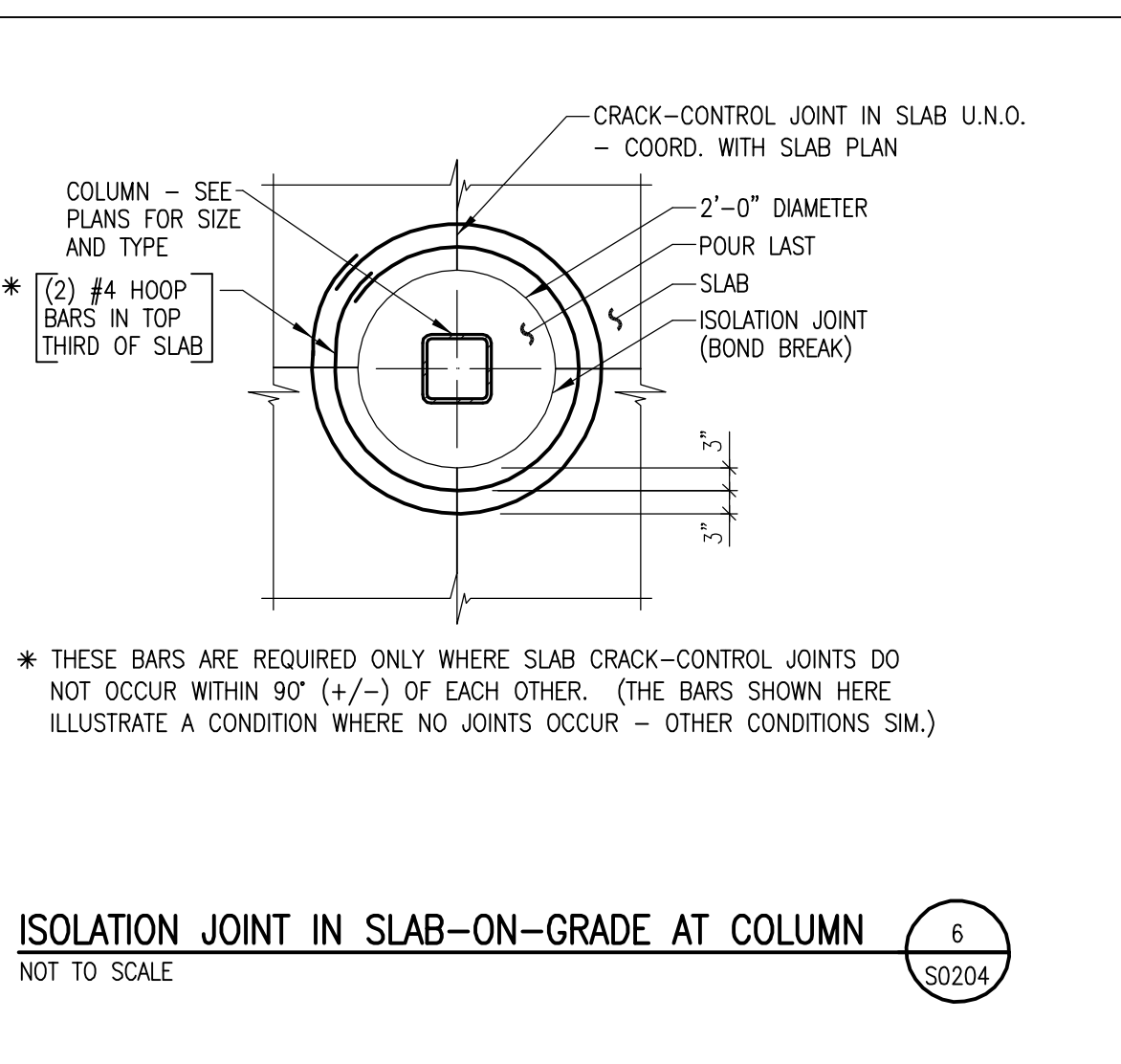
Omni
 212 North Upper Street
 Lexington, Kentucky 40507-1001
 p 609.252.6664 f 609.253.2358
 www.omniarchitects.com

CANNONDESIGN
 UNIVERSITY OF LOUISVILLE ARCHITECTS



UNIVERSITY OF LOUISVILLE ARCHITECTS

Revision Date	
#	
Drawing Name:	TYPICAL DETAILS
U of L Project Number:	Omni - 1105.000 - 03667.00
Project Number:	Cannon - 03667.00
Date:	April 16, 2012
Drawn By:	VPP
Checked By:	ANTHONY



© Cannon Design 2010. All rights reserved. No part of this document may be reproduced or transmitted in any form or by any means without prior written authorization by The Cannon Corporation.