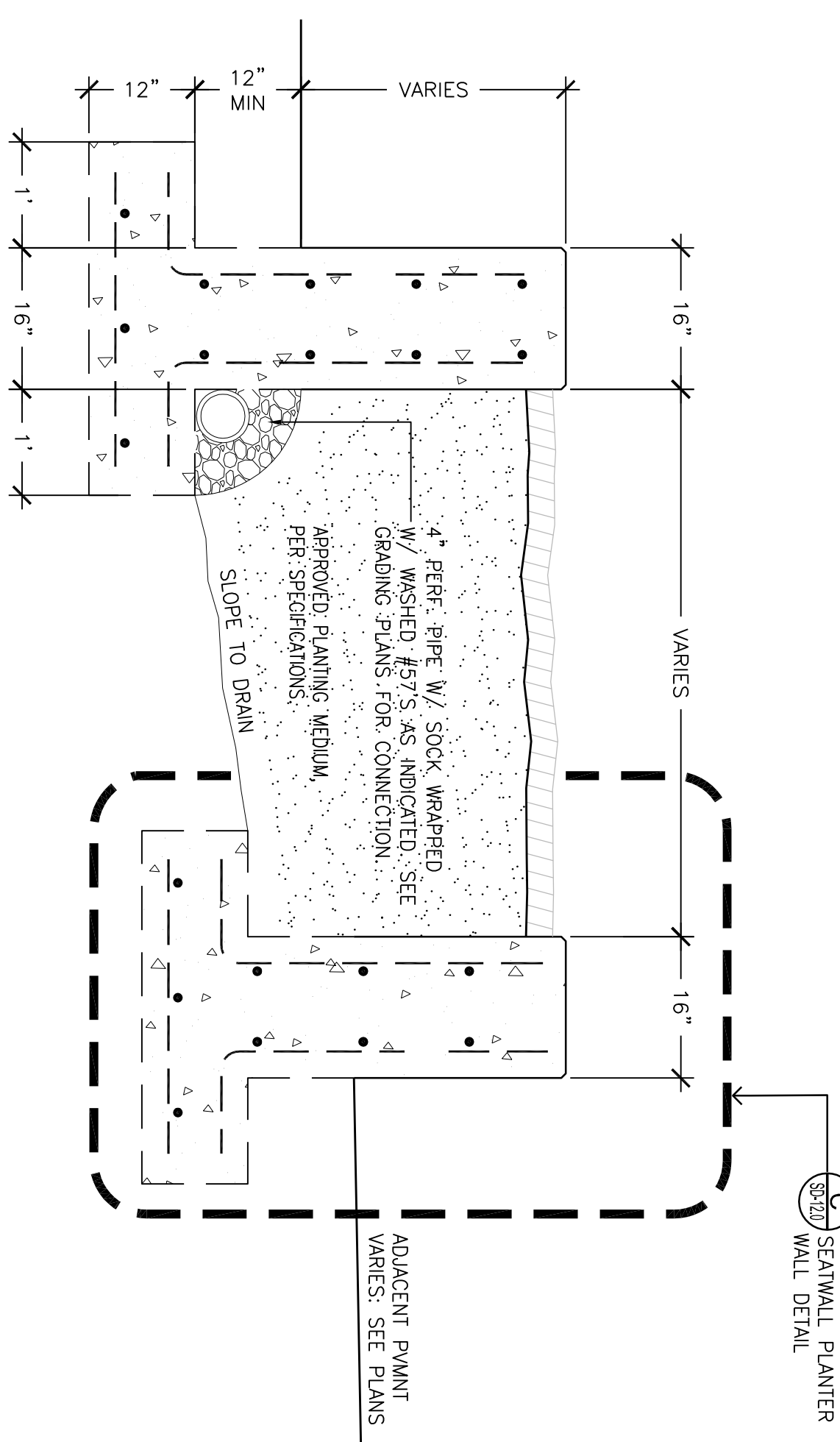
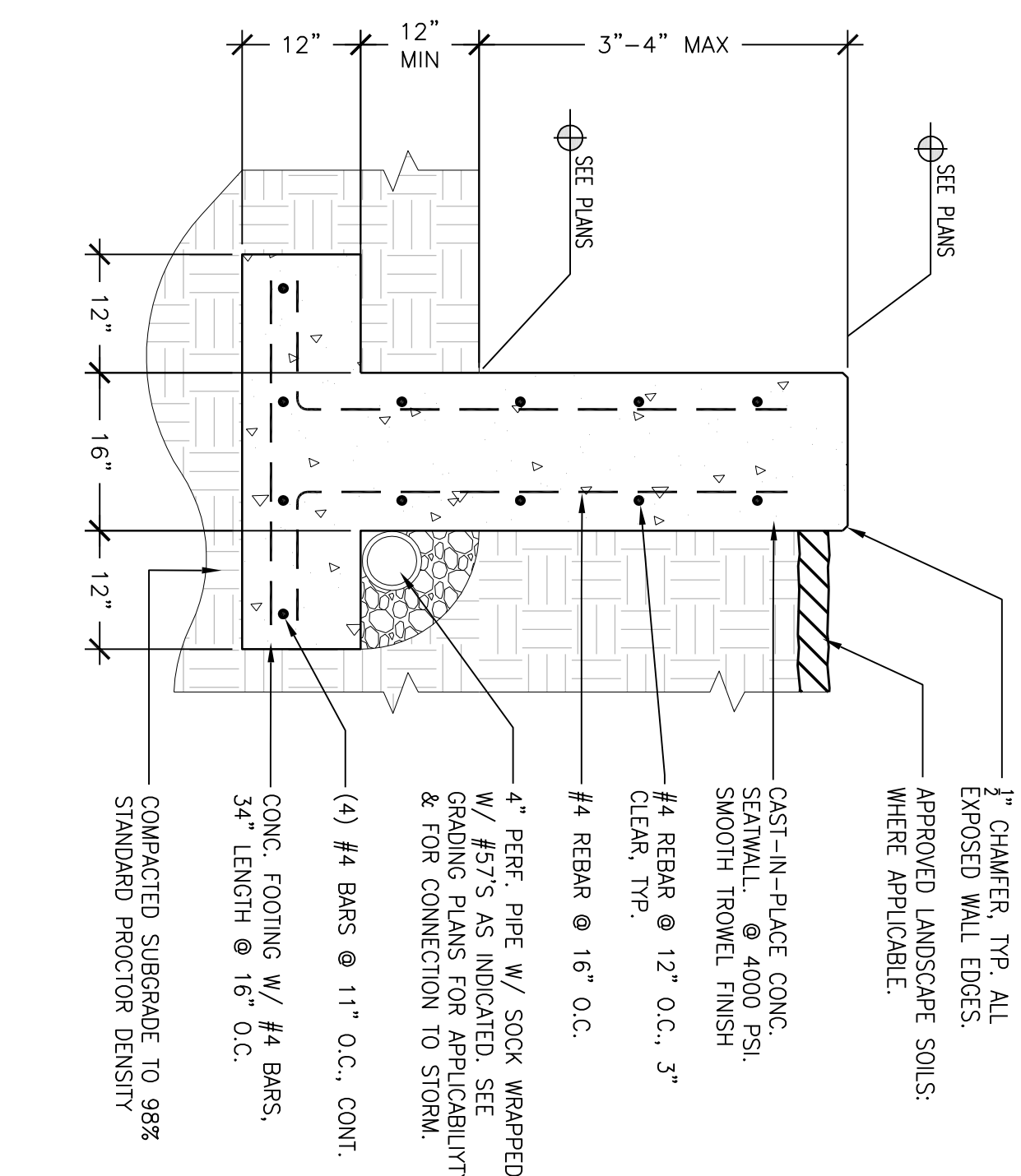


A WALL KEY PLAN
SCALE: NTS



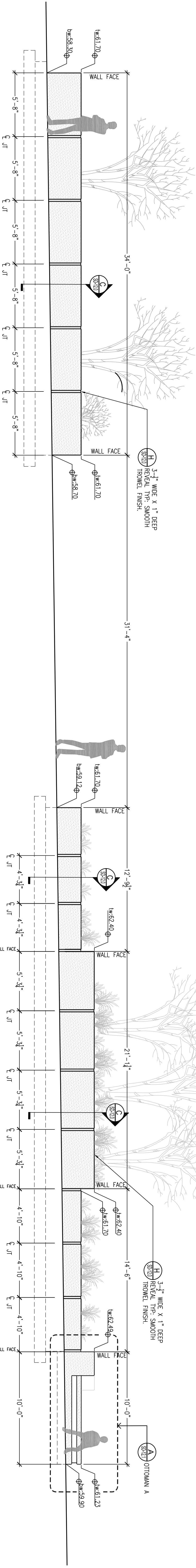
B SEATWALL PLANTER SECTION
SCALE: 3/4"=1'-0"



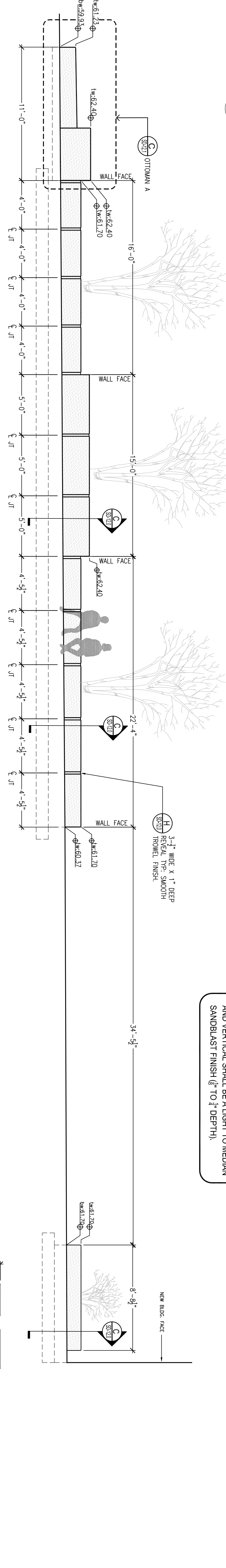
C SEATWALL PLANTER WALL DETAIL
SCALE: 3/4"=1'-0"

NOTE:
ALL EXPOSED WALL FINISHES, HORIZONTAL AND VERTICAL SHALL BE ALIGHT TO MEDIUM SANDBLAST FINISH (3/8" TO 1/2" DEPTH).

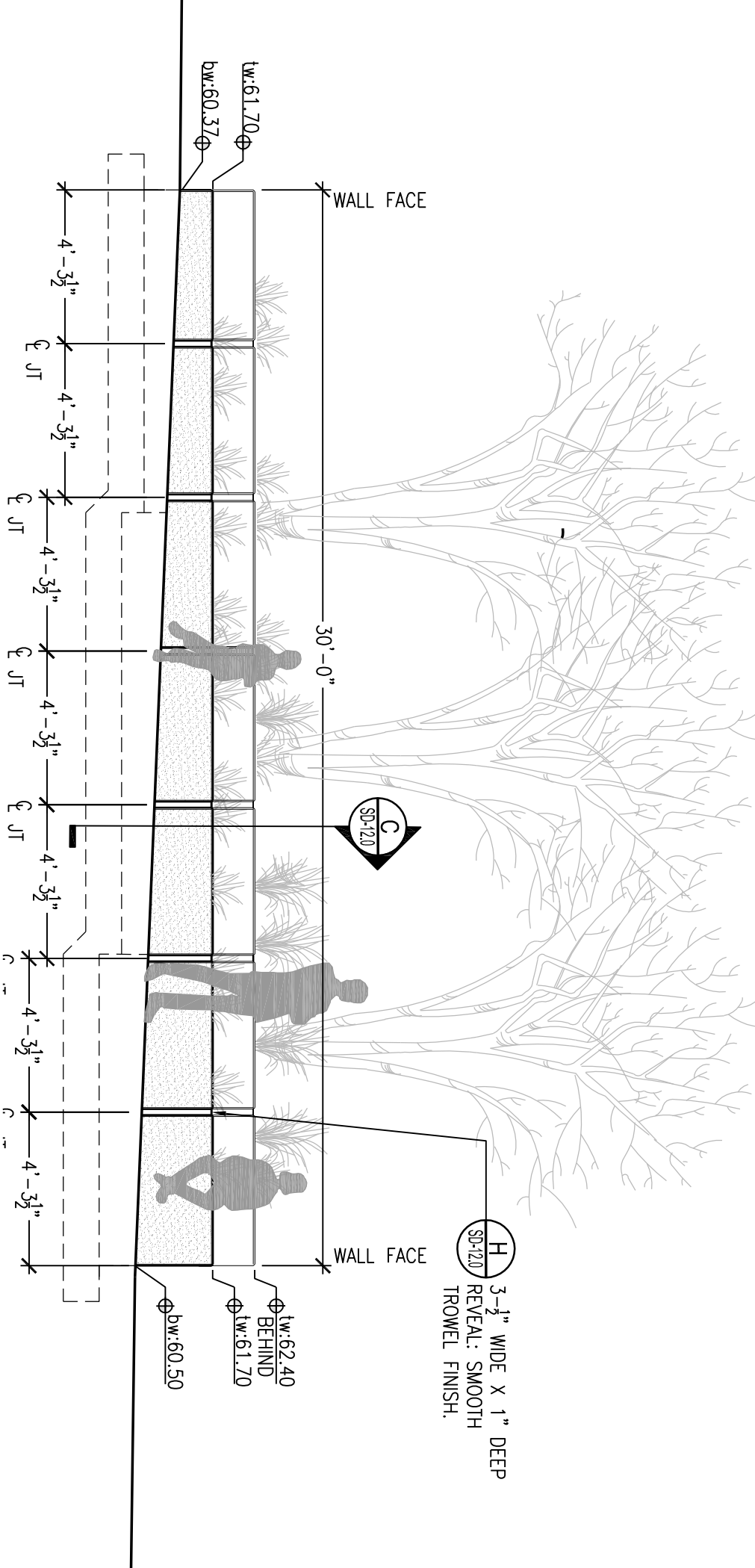
NOTE:
ALL EXPOSED WALL FINISHES, HORIZONTAL AND VERTICAL SHALL BE ALIGHT TO MEDIUM SANDBLAST FINISH (3/8" TO 1/2" DEPTH).



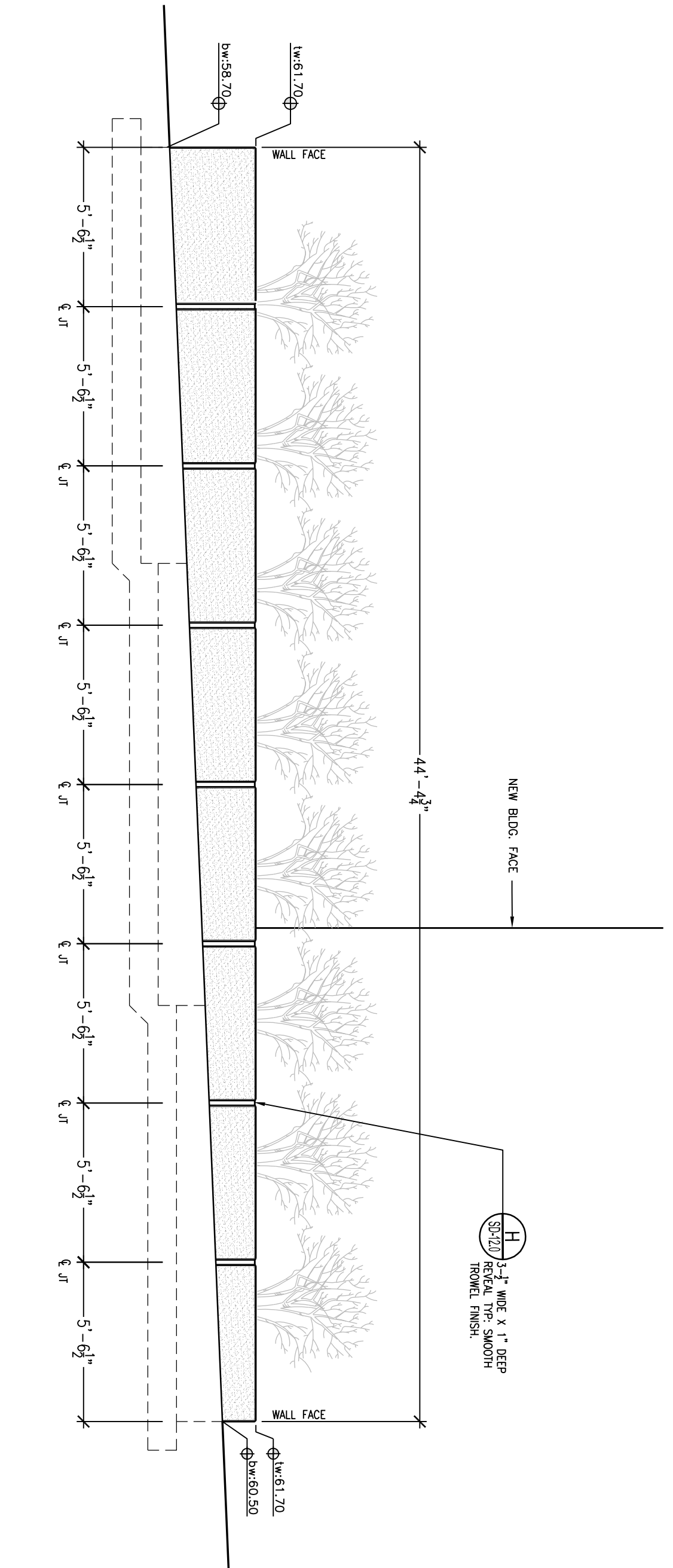
D SEATWALL ELEVATION A: LOOKING WEST
SCALE: 1/4"=1'-0"



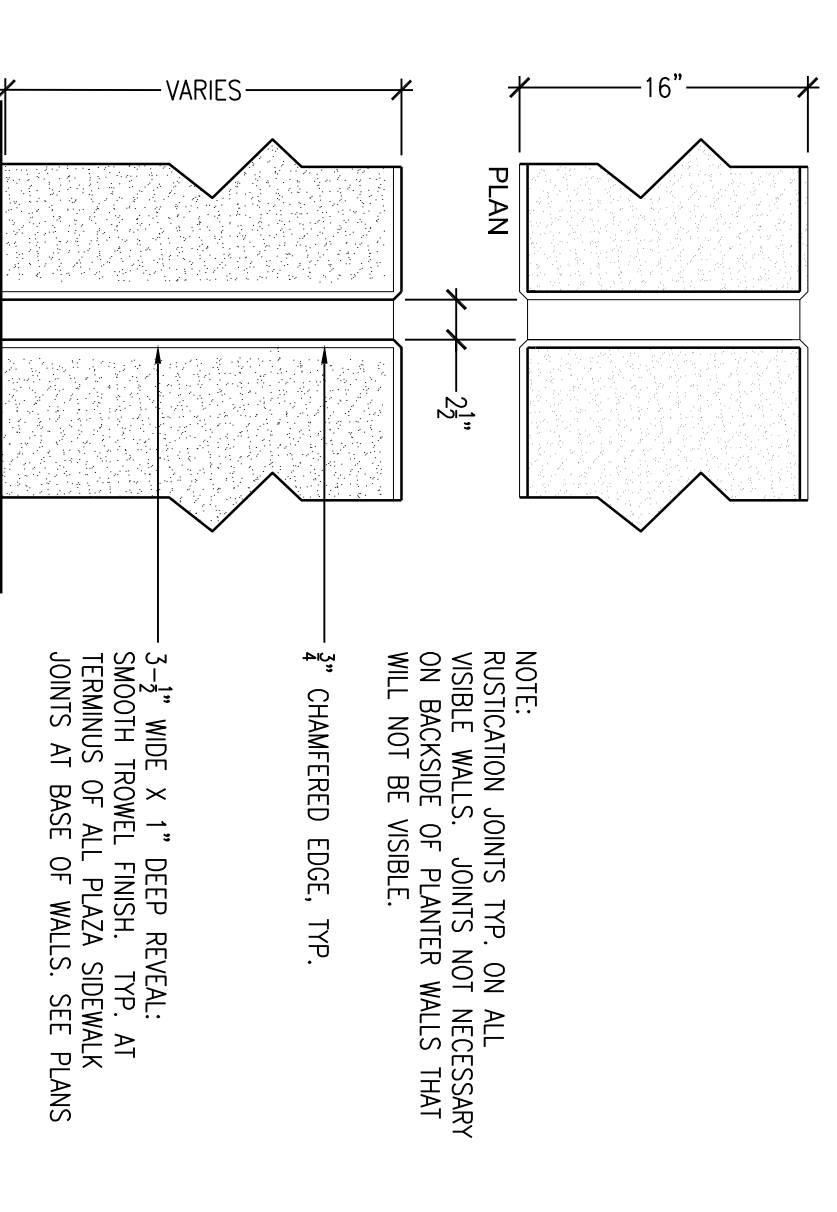
E SEATWALL ELEVATION B: LOOKING EAST
SCALE: 1/4"=1'-0"



F SEATWALL ELEVATION C: LOOKING NORTH
SCALE: 1/4"=1'-0"



G SEATWALL SECTION D: LOOKING SOUTH
SCALE: 1/4"=1'-0"



H SEATWALL PLANTER JOINT DETAIL
SCALE: 1"=1'-0"

NOTE:
INDICATION JOINTS TYP. ON ALL FINISH WALLS. JOINTS NOT NECESSARY ON BACKSIDE OF PLANTER WALLS THAT WILL NOT BE VISIBLE.
1" CHAMFERED EDGE TYP.

3-1/2" WIDE X 1" DEEP REVEAL, SMOOTH TROWEL FINISH, TYP. AT JOINTS AS BASE OF WALLS. SEE PLANS.

PURPOSE OF THESE DRAWINGS IS TO REFLECT ALL CHANGES AND CLARIFICATIONS MADE THRU PREVIOUSLY ISSUED ADDENDA. CONTRACTOR IS RESPONSIBLE FOR ADHERENCE TO IMPROVEMENTS REFLECTED IN THE CONTRACT BIDS AND SPECIFICATIONS.

FOR LOCATION OF UNDERGROUND UTILITIES, CALL B.U.D. 1-502-286-9123 (2) WORKING DAYS IN ADVANCE OF DIGGING.

Consolidated Addenda 3-11-12

University of Louisville - Student Recreational Facility (Bid Phase #4)

100 % CD's
Louisville, Ky

Drawing Name / Description	WALL DETAILS	#	Revision Date
U of L Project Number:		1	
A&E Project Number:		2	
Date:	JANUARY, 2012	3	
Drawn By:	SDS	4	
Checked By:	JLC / KLV	5	
		6	
		7	
		8	

CARMAN
ENVIRONMENTS FULLY REALIZED
Landscape Architecture • Land Planning • Site Engineering
310 OLD EAST VINE STREET LEXINGTON, KY 40506
P: (859) 254-9803 F: (859) 255-8625

Omni ARCHITECTS
212 North Upper Street
Lexington, Kentucky
40507-1001
P 859.252.6664
F 859.252.6664
www.omniarchitects.com

SD-12.0