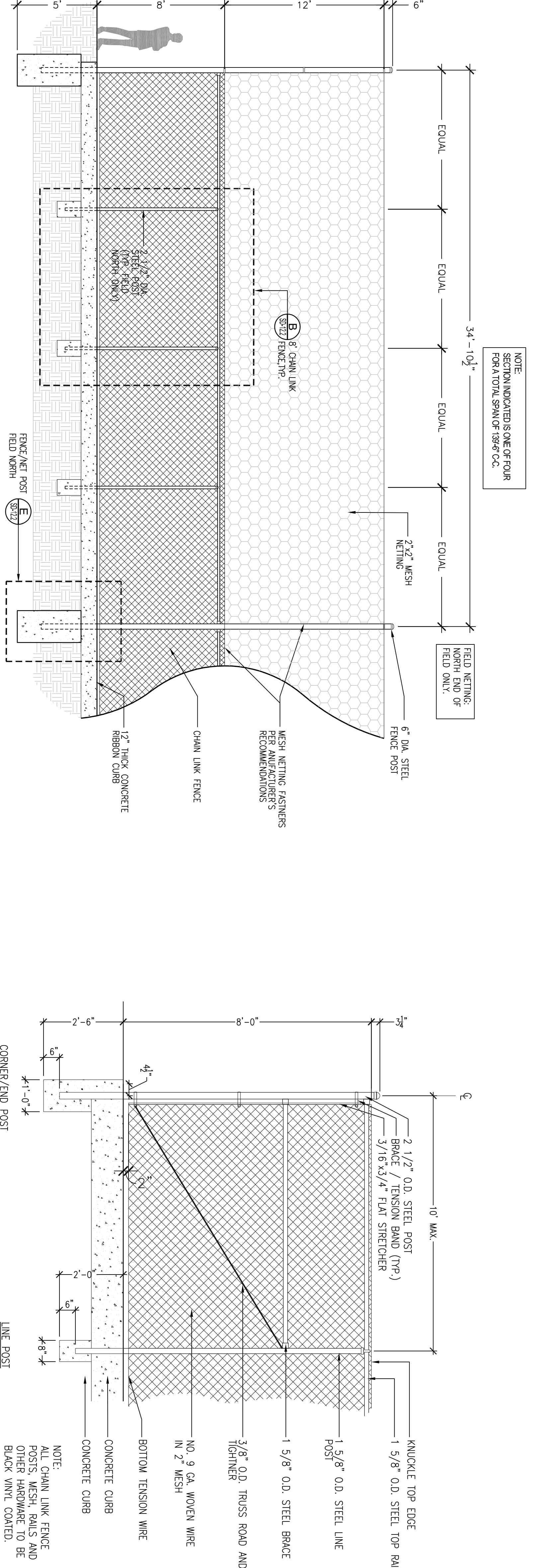


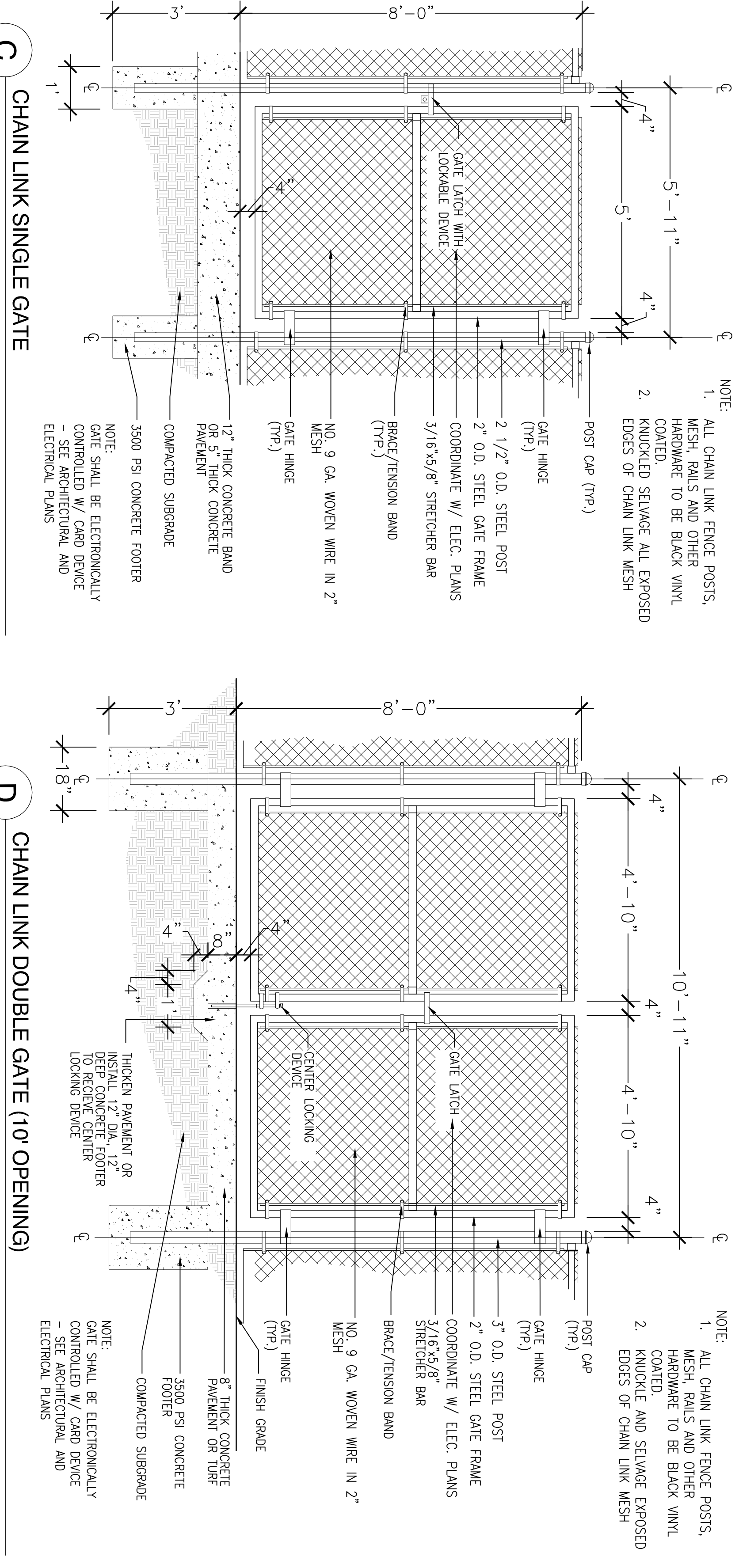
Drawing Name / Description	Site Details	#	Revision Date
U of L Project Number:		1	
A&E Project Number:		2	
Date:	JANUARY, 2012	3	
Drawn By:	SDS	4	
Checked By:	JLC / K/LW	5	
		6	
		7	
		8	

**CARMAN**  
 ENVIRONMENTS FULLY REALIZED  
 Landscape Architecture • Land Planning • Site Engineering  
 310 OLD EAST VINE STREET LEXINGTON, KY 40506  
 P: (859) 254-9803 F: (859) 255-8625

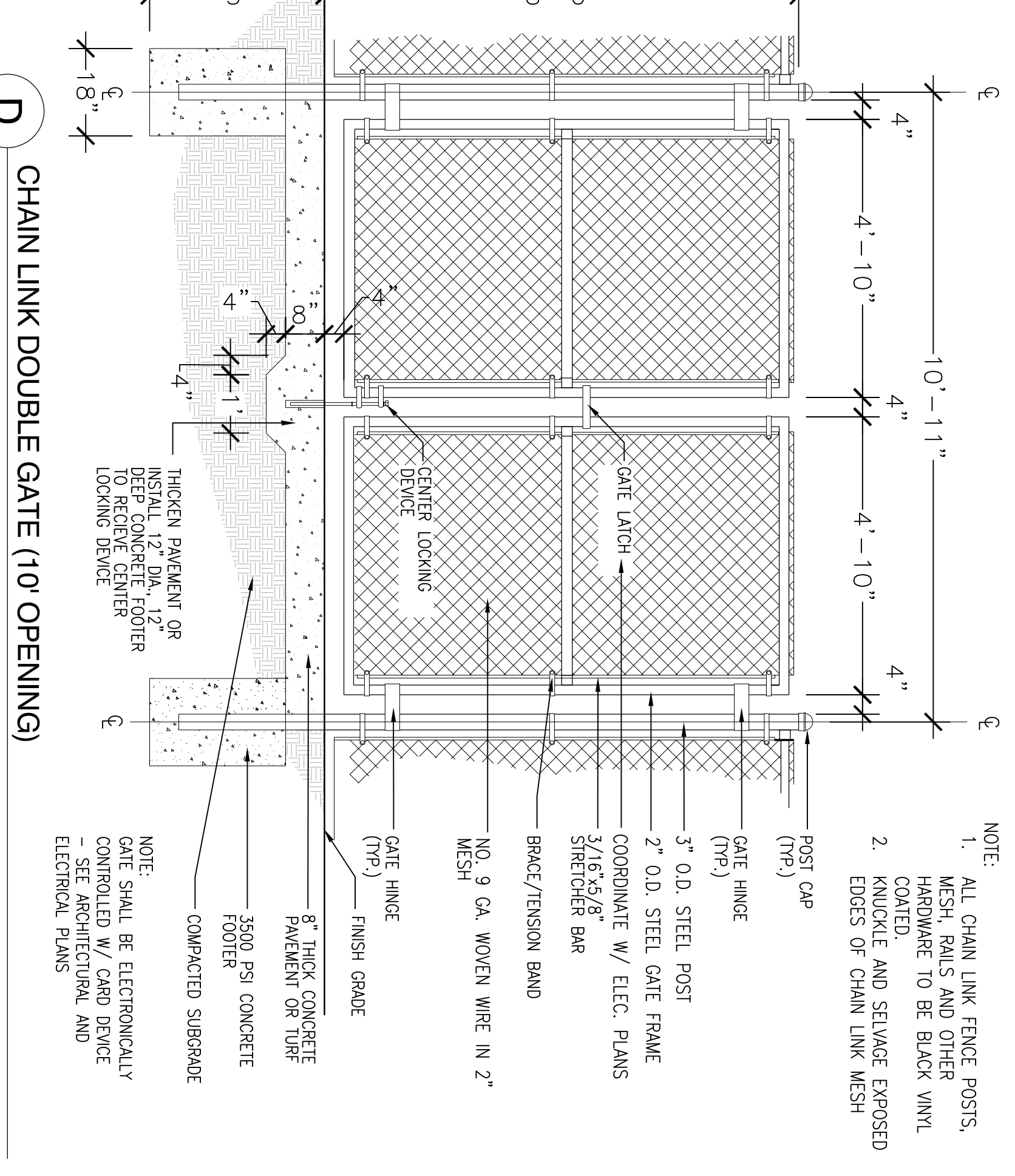
**Omni ARCHITECTS**  
 212 North Upper Street  
 Lexington, Kentucky  
 40507-1001  
 P 859.252.6664  
 F 859.252.6668  
 www.omniarchitects.com



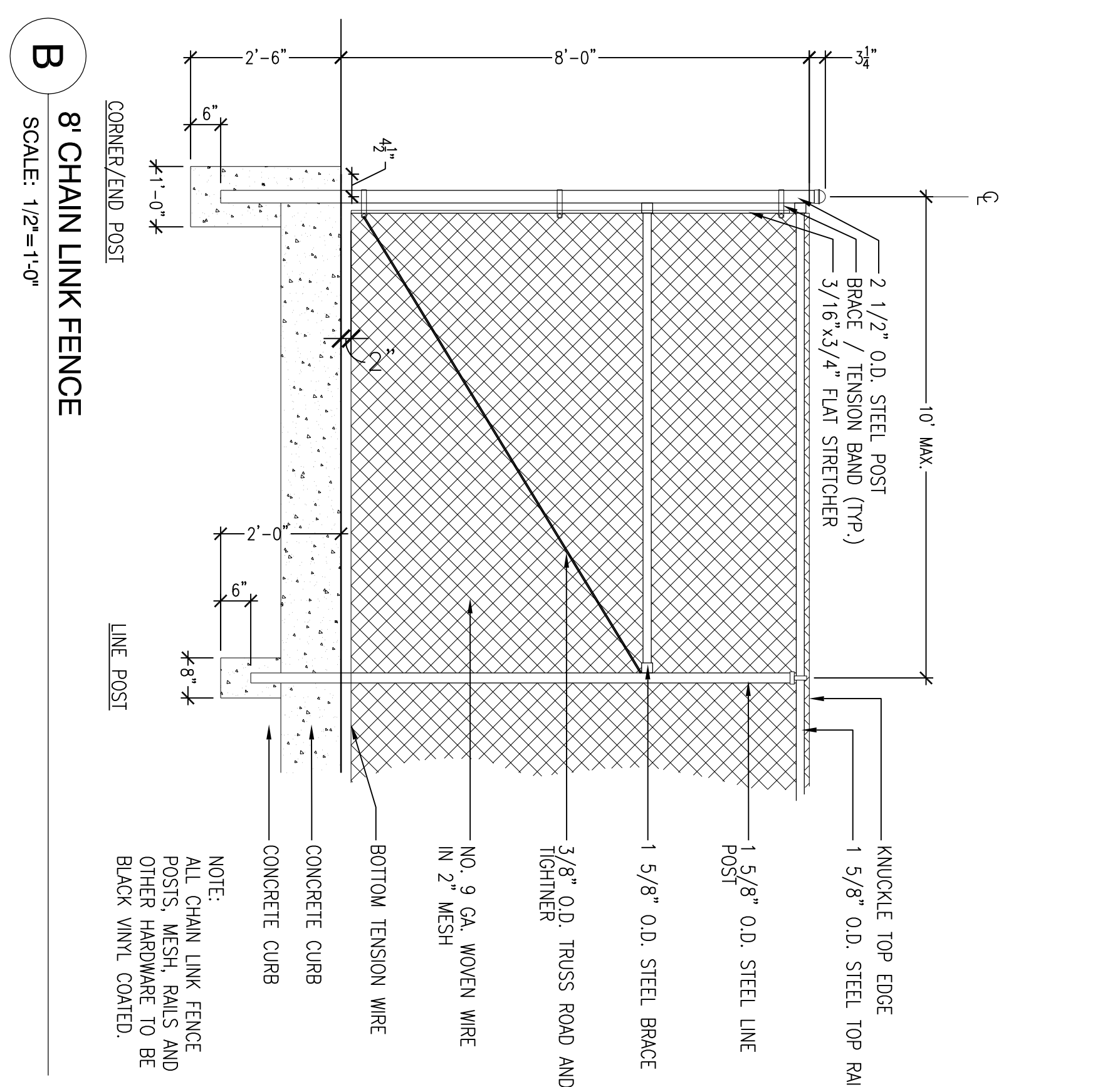
**A** FIELD FENCE ELEVATION: NORTH END  
 SCALE: 1/4"=1'-0"



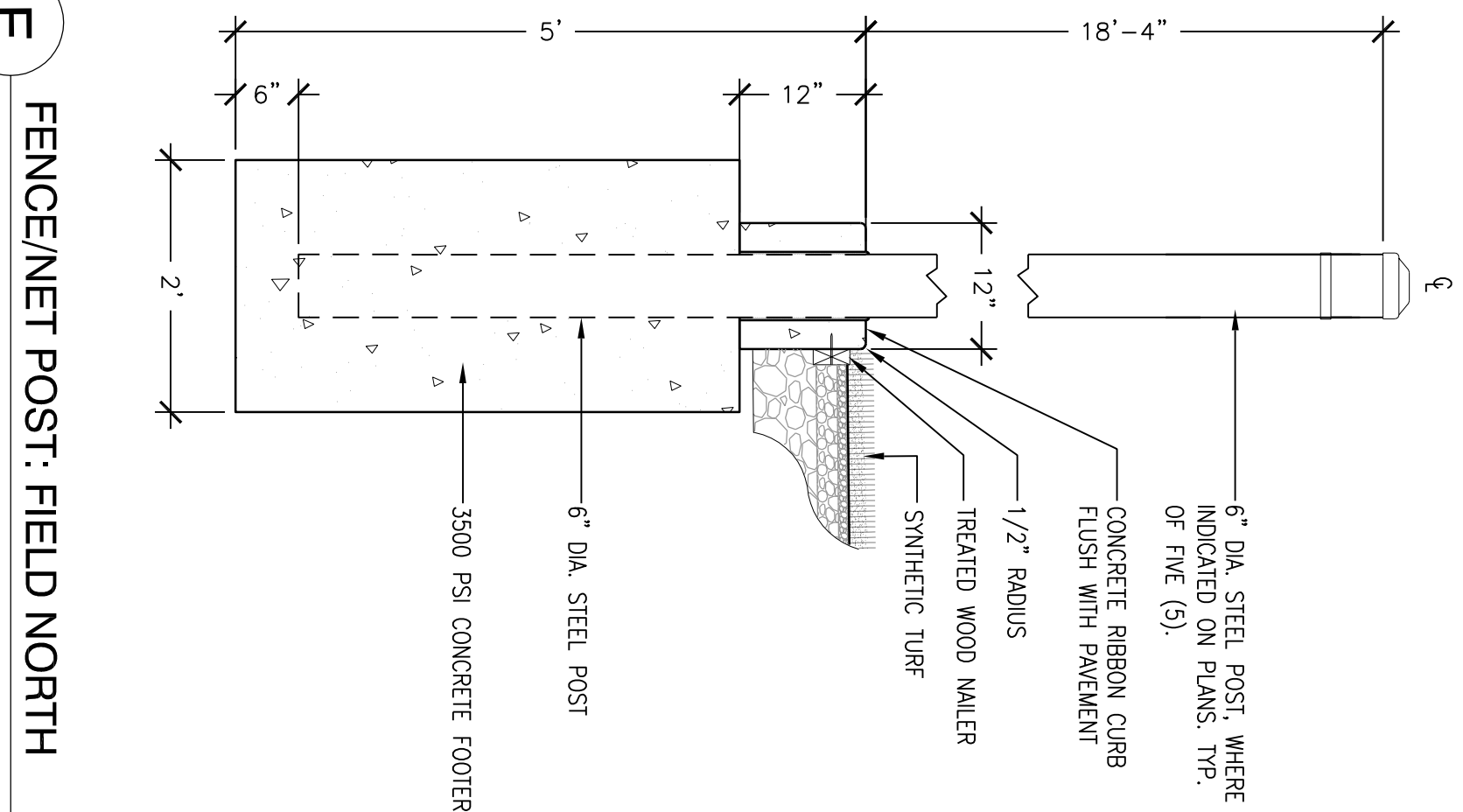
**C** CHAIN LINK SINGLE GATE  
 SCALE: 1/2"=1'-0"



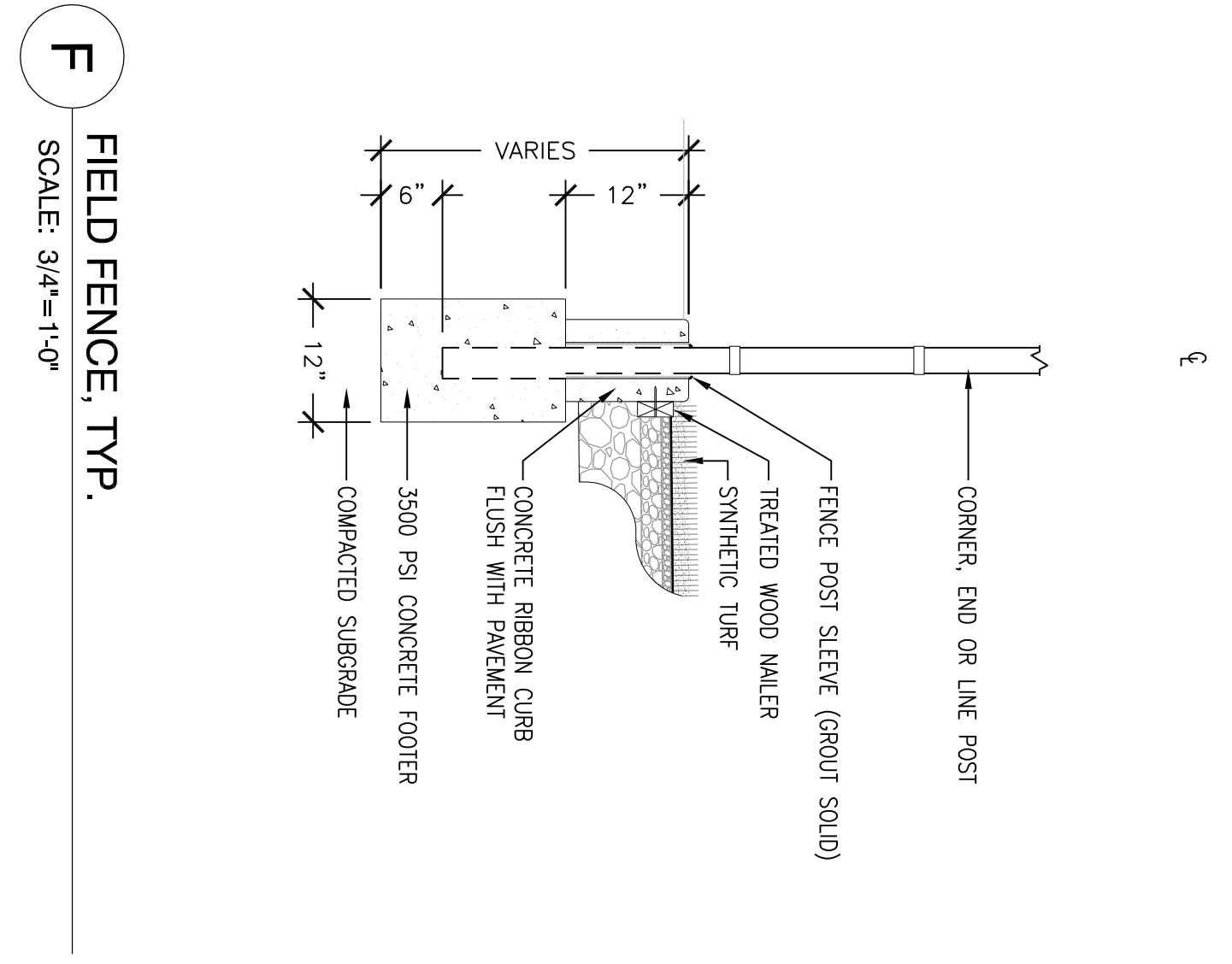
**D** CHAIN LINK DOUBLE GATE (10' OPENING)  
 SCALE: 1/2"=1'-0"



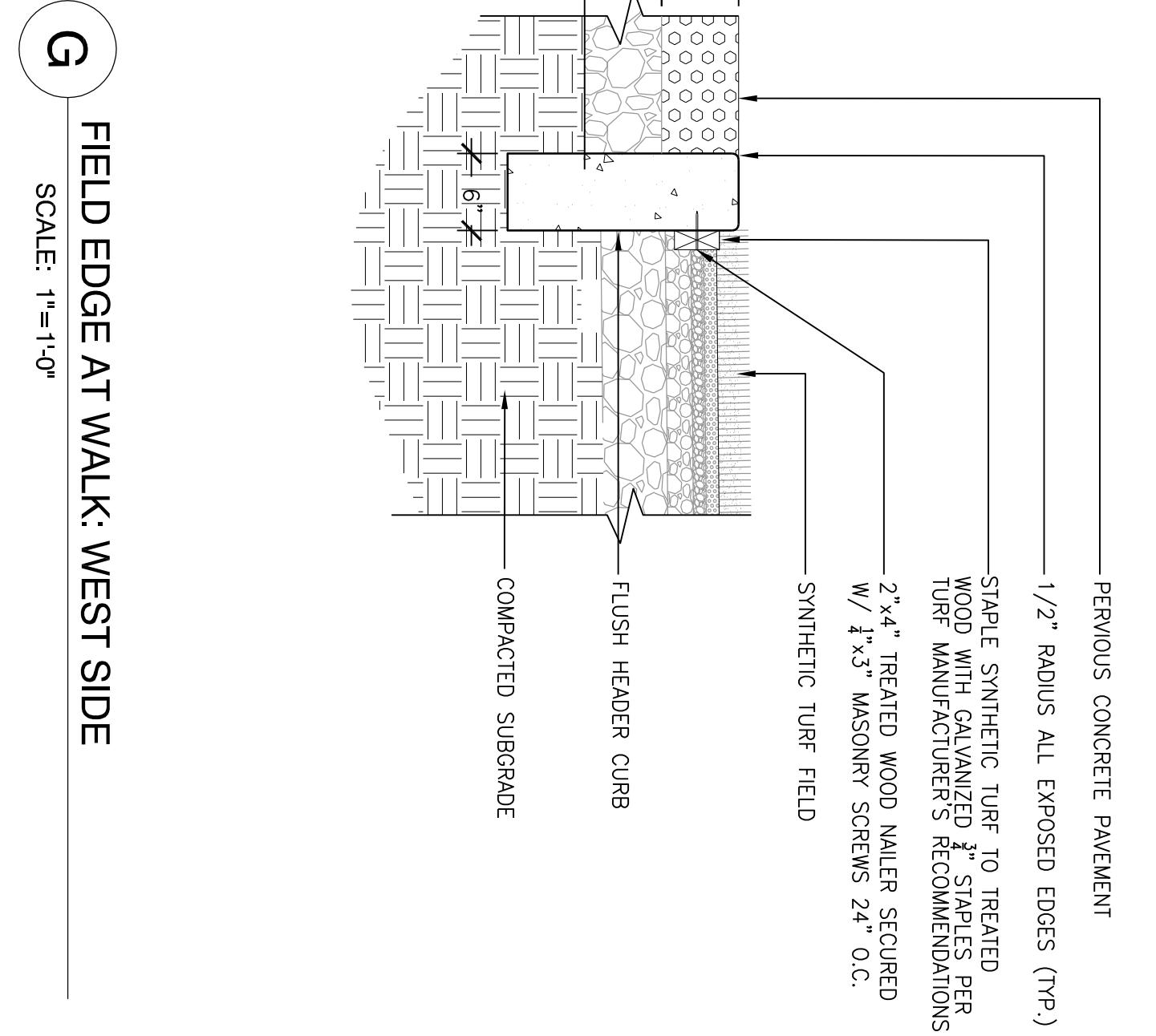
**B** 8' CHAIN LINK FENCE  
 SCALE: 1/2"=1'-0"



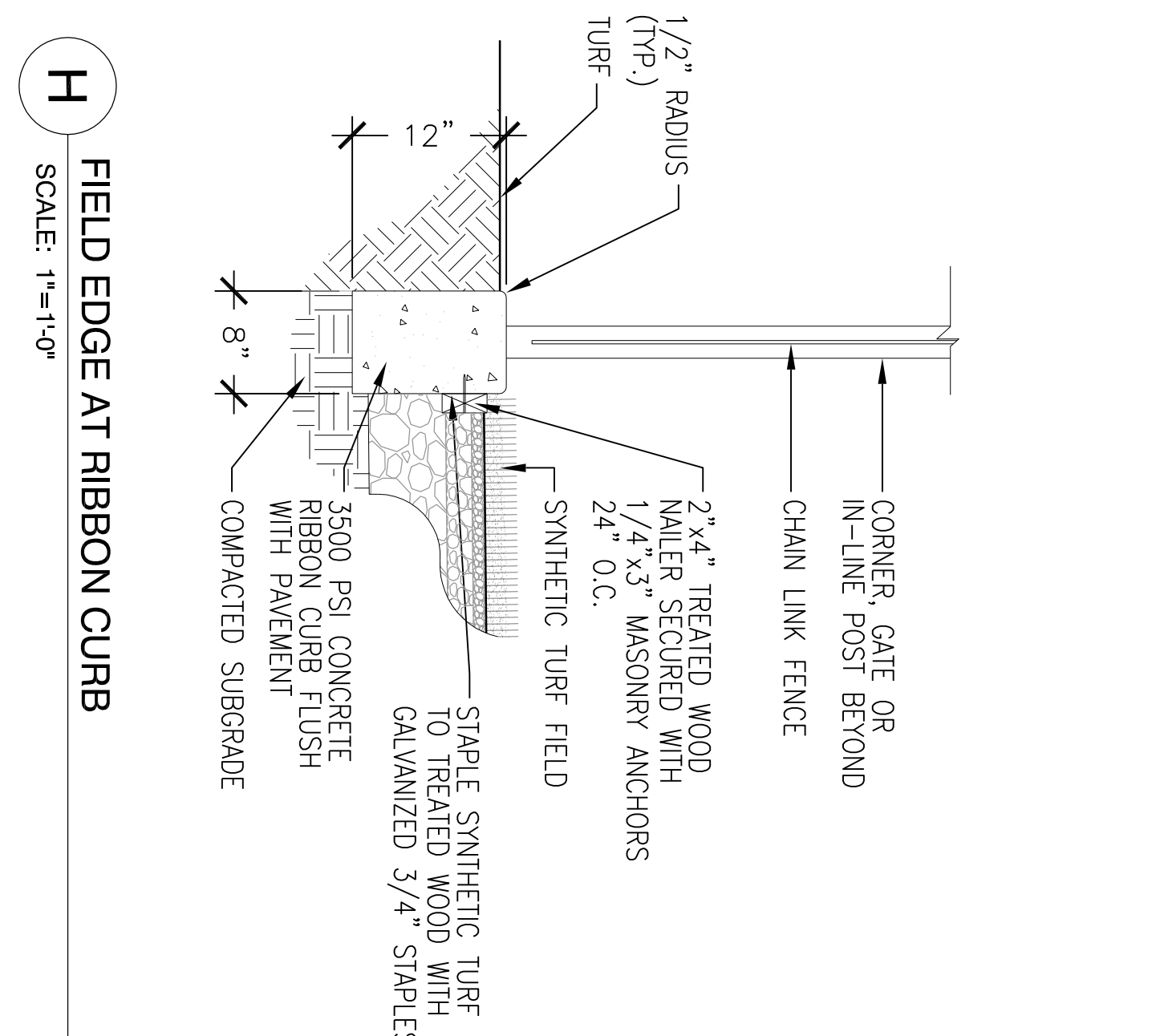
**E** FENCE/NET POST: FIELD NORTH  
 SCALE: 3/4"=1'-0"



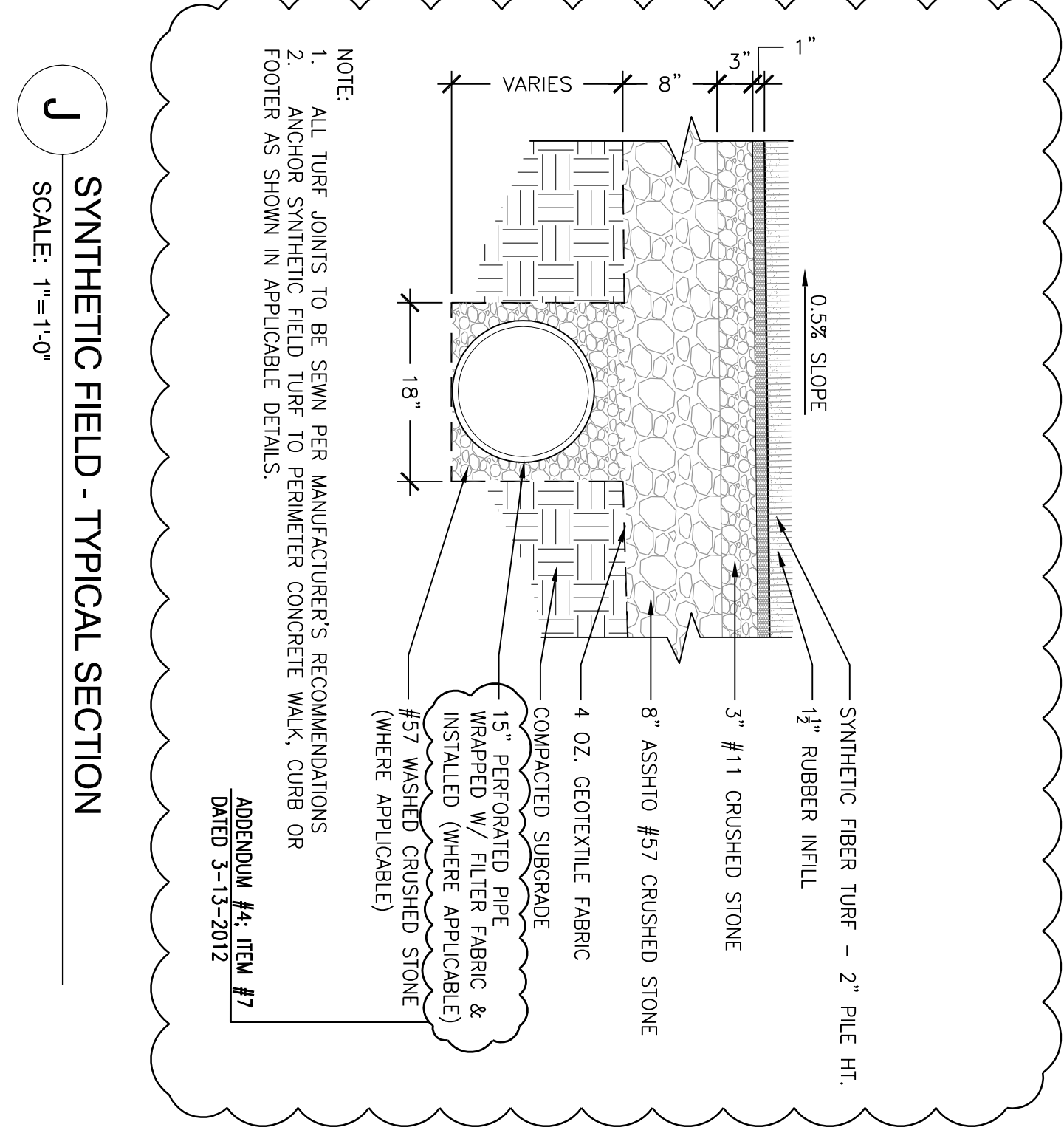
**F** FIELD FENCE, TYP.  
 SCALE: 3/4"=1'-0"



**G** FIELD EDGE AT WALK: WEST SIDE  
 SCALE: 1"=1'-0"



**H** FIELD EDGE AT RIBBON CURB  
 SCALE: 1"=1'-0"



**J** SYNTHETIC FIELD - TYPICAL SECTION  
 SCALE: 1"=1'-0"

CONTRACTOR TO PROVIDE SITE SPECIFIC SHOP DRAWINGS FOR ALL MANUFACTURED AND/OR PRECAST STRUCTURES.

PURPOSE OF THESE DRAWINGS IS TO REFLECT ALL CHANGES AND CLARIFICATIONS MADE THRU PREVIOUSLY ISSUED ADDENDA. CONTRACTOR IS RESPONSIBLE FOR ADHERENCE TO IMPROVEMENTS REFLECTED IN THE CONTRACT BIDS AND SPECIFICATIONS.

FOR LOCATION OF UNDERGROUND UTILITIES CALL B.U.D. 1-502-286-6123 (2) WORKING DAYS IN ADVANCE OF DIGGING

**SD-12.2**