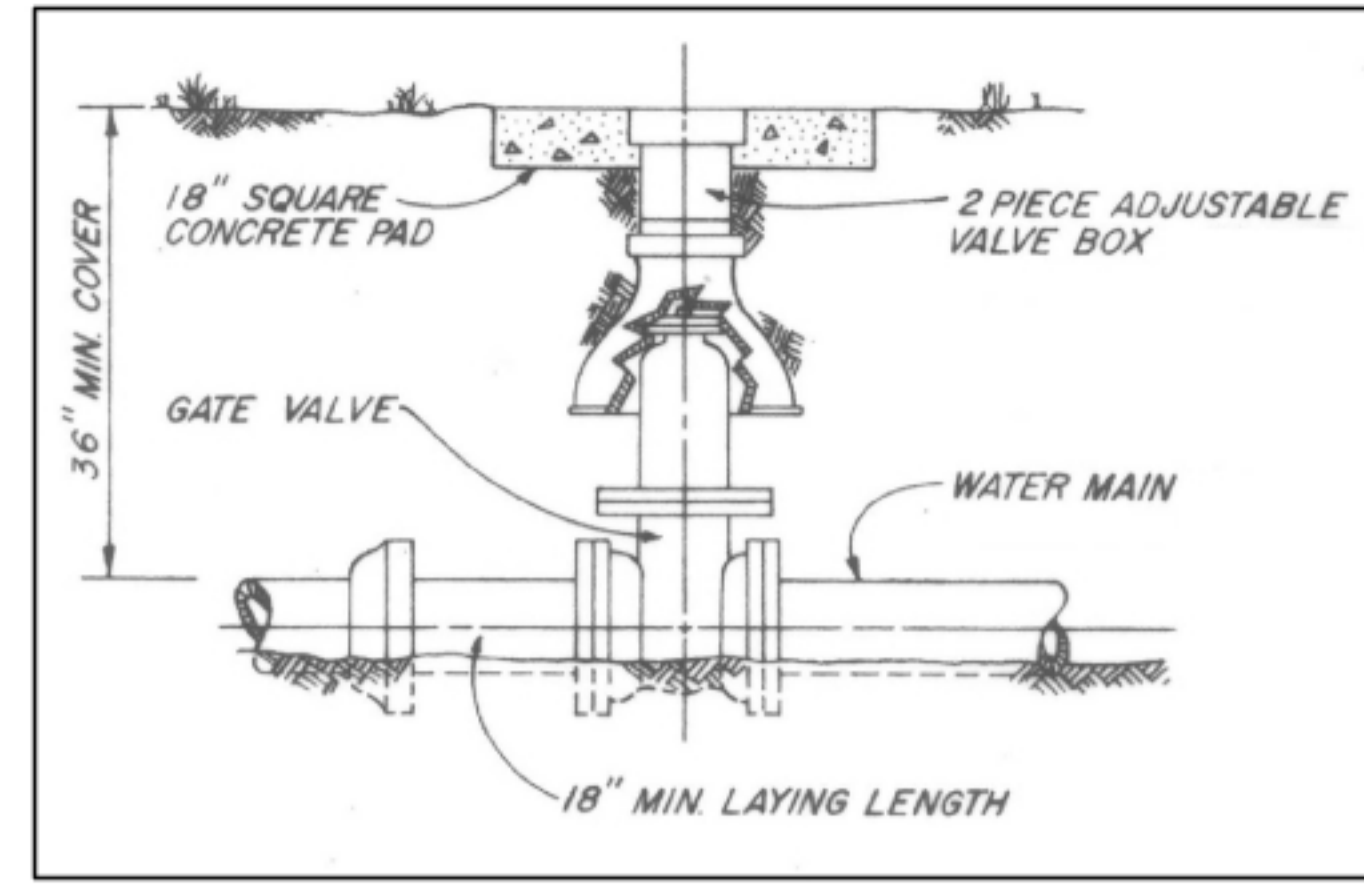
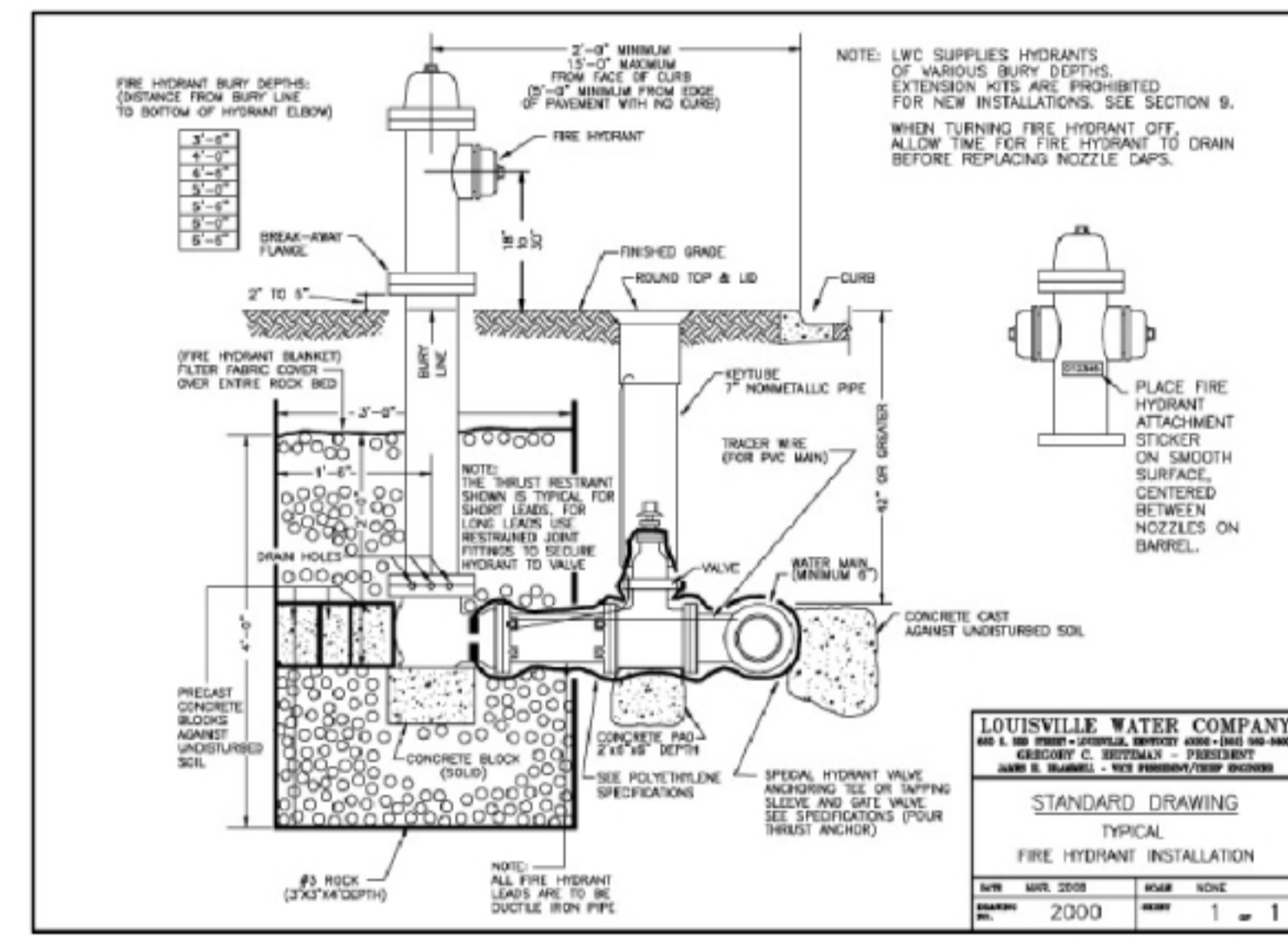


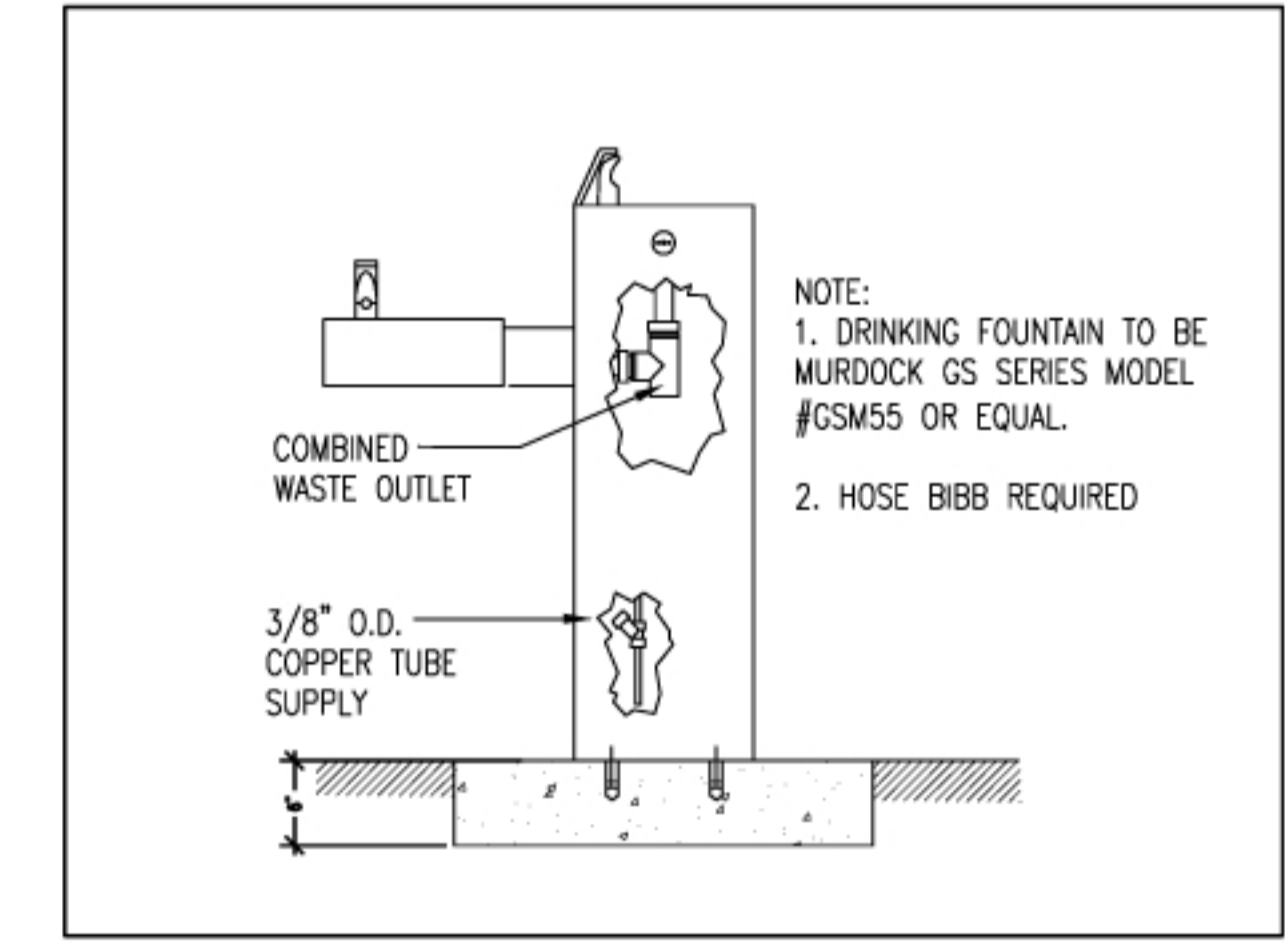
**A** FORCE MAIN THRUST DETAILS  
 SCALE: NTS



**B** GATE VALVE  
 SCALE: NTS



**C** FIRE HYDRANT  
 SCALE: NTS



**D** DRINKING FOUNTAIN  
 SCALE: NTS

210 North Upper Street  
 Lexington, Kentucky  
 40507-1001  
 P 606.252.2864  
 F 606.252.2864  
 www.omniarchitects.com



ENVIRONMENTALLY REALIZED  
**CARMAN**  
 Landscape Architecture • Land Planning • Site Engineering  
 310 OLD EAST VINE STREET LEXINGTON, KY 40506  
 P (609) 254-9803 F (609) 254-8625

Revision	Date
1	
2	
3	
4	
5	JANUARY, 2012
6	
7	
8	

Drawn By: SDS  
 Checked By: JLC / KLV

PURPOSE OF THESE DRAWINGS IS TO REFLECT ALL CHANGES AND CLARIFICATIONS MADE THRU PREVIOUSLY ISSUED ADDENDA. CONTRACTOR IS RESPONSIBLE FOR ADHERENCE TO IMPROVEMENTS REFLECTED IN THE CONTRACT BIDS AND SPECIFICATIONS.

FOR LOCATION OF UNDERGROUND UTILITIES, CALL B.U.D. 1-502-266-5123 (2) WORKING DAYS IN ADVANCE OF DIGGING