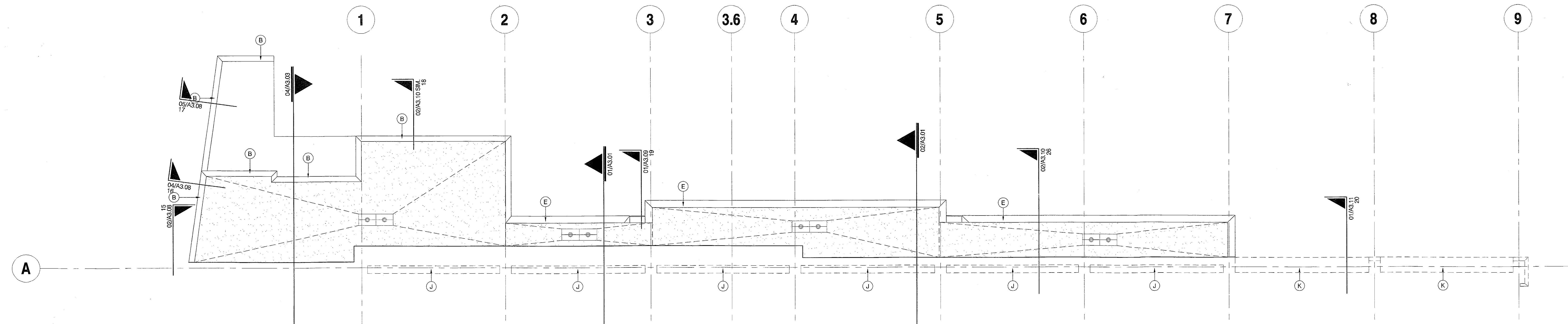


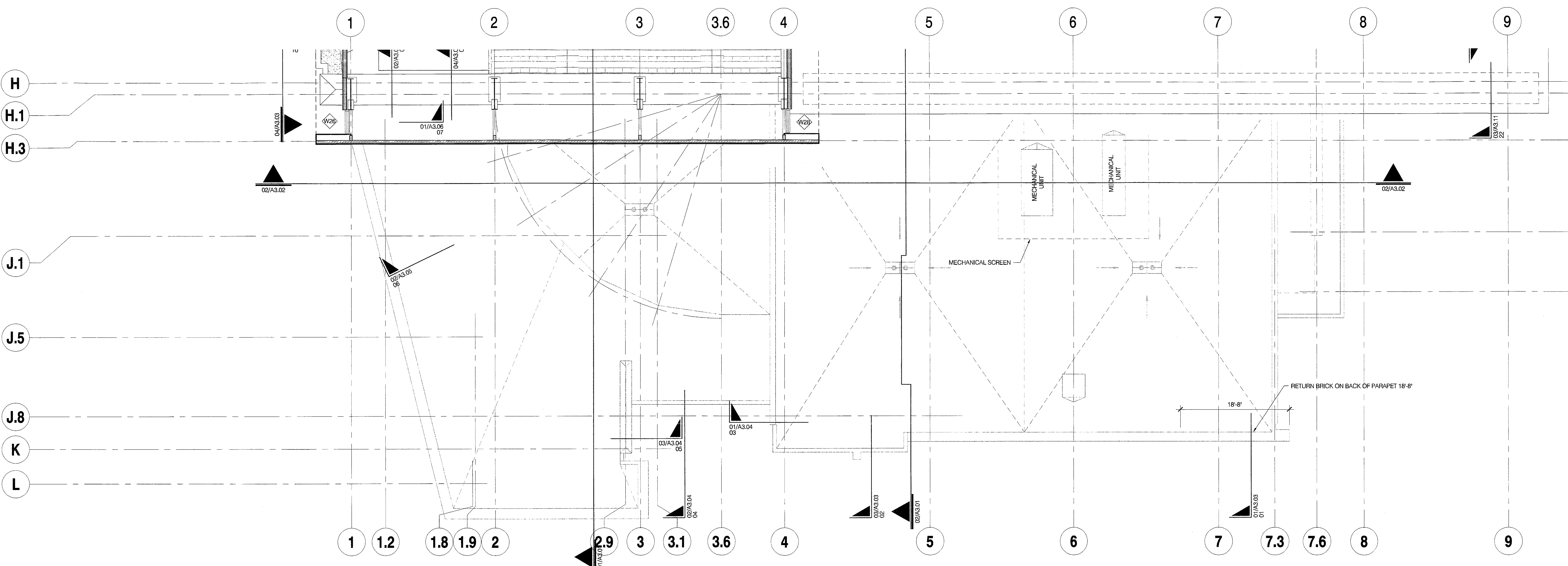
03 PRECAST
CONCRETE PROFILES

A1.04 1-1/2" = 1'-0"



02 PARTIAL ROOF PLAN

A1.04 1/8" = 1'-0"



01 UNIT B
ROOF PLAN

A1.04 1/8" = 1'-0"



CERTIFICATION
CONSTRUCTION
DOCUMENTS

CARDINAL PARK
NATATORIUM

UNIVERSITY OF LOUISVILLE

Project: 03006
Drawn: D. MCCLOSKEY
Checked: J. LINDSTAEDT
Scale:
Issue Date: AUGUST 27, 2003
Revision:



ROOF PLAN
UNIT B

A1.04