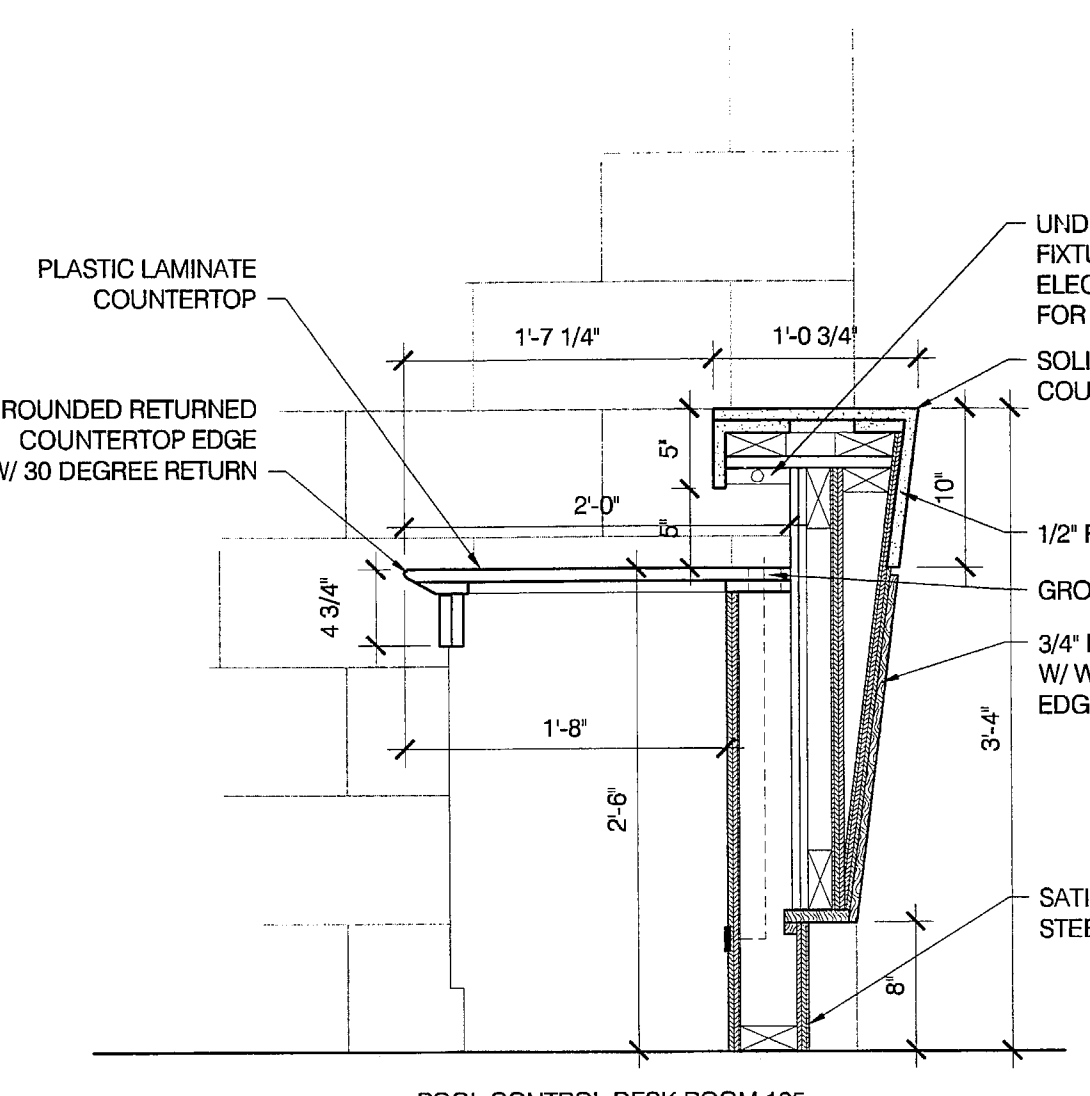
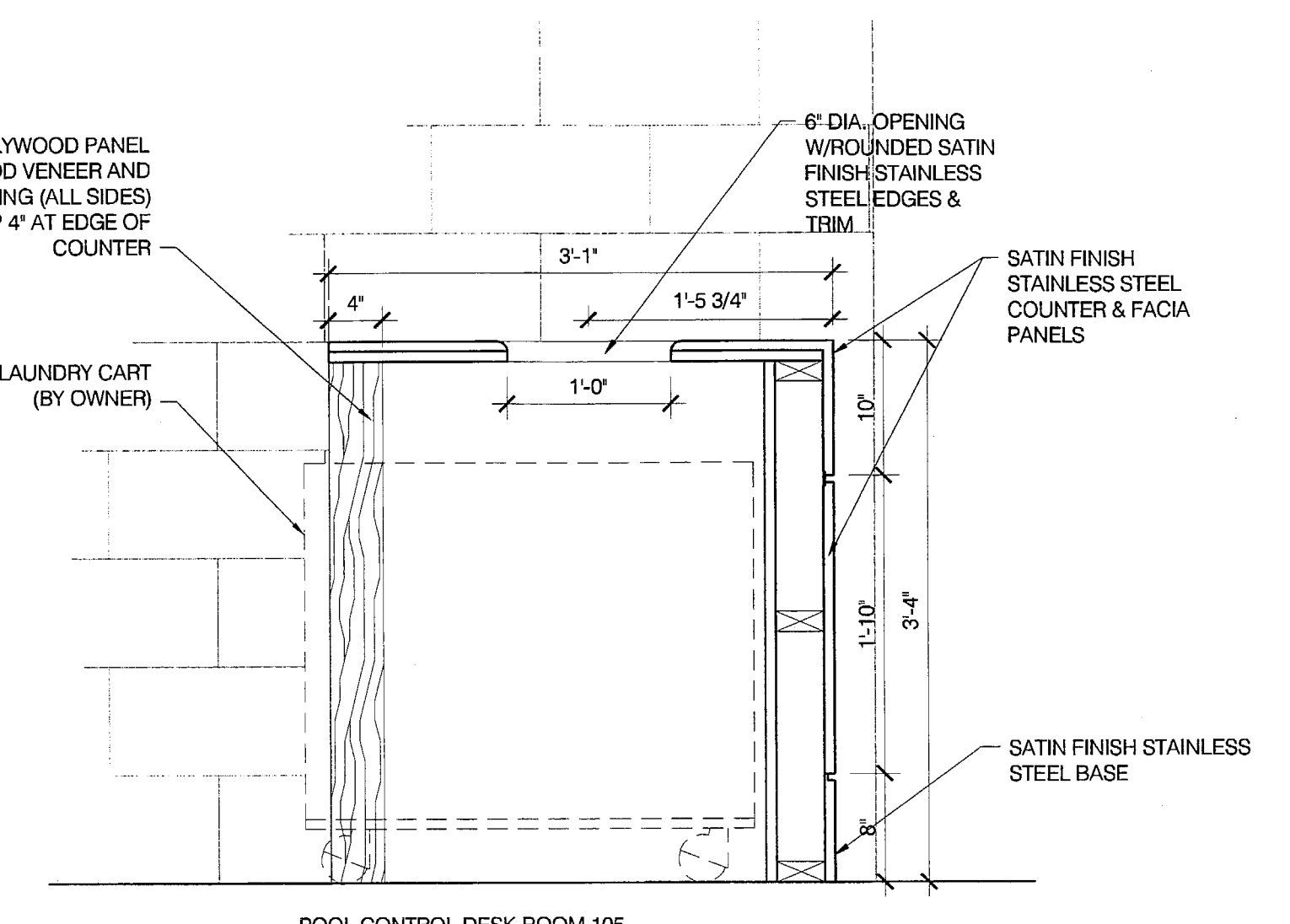


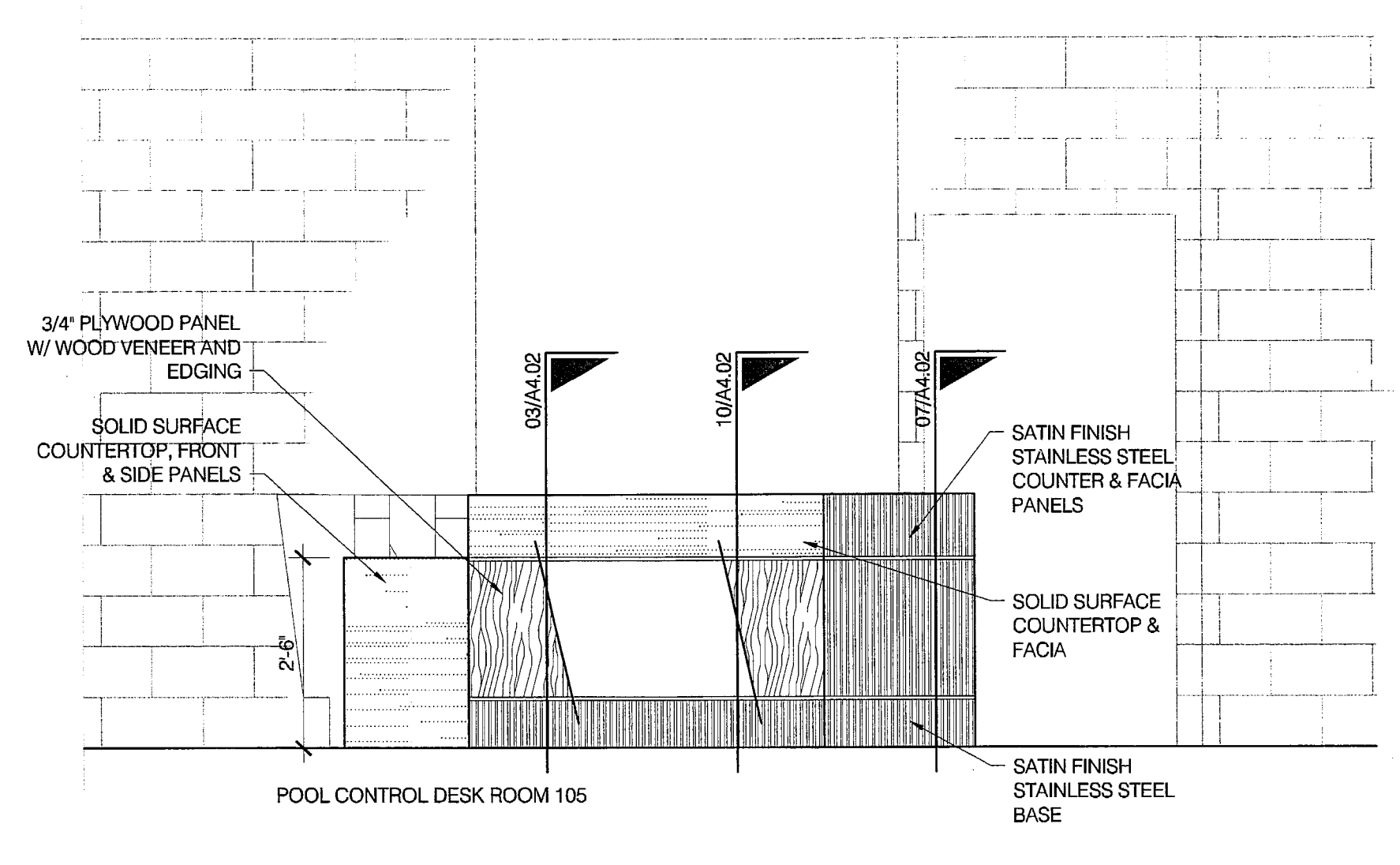
**13** MILLWORK SECTION  
A4.02 1" = 1'-0"



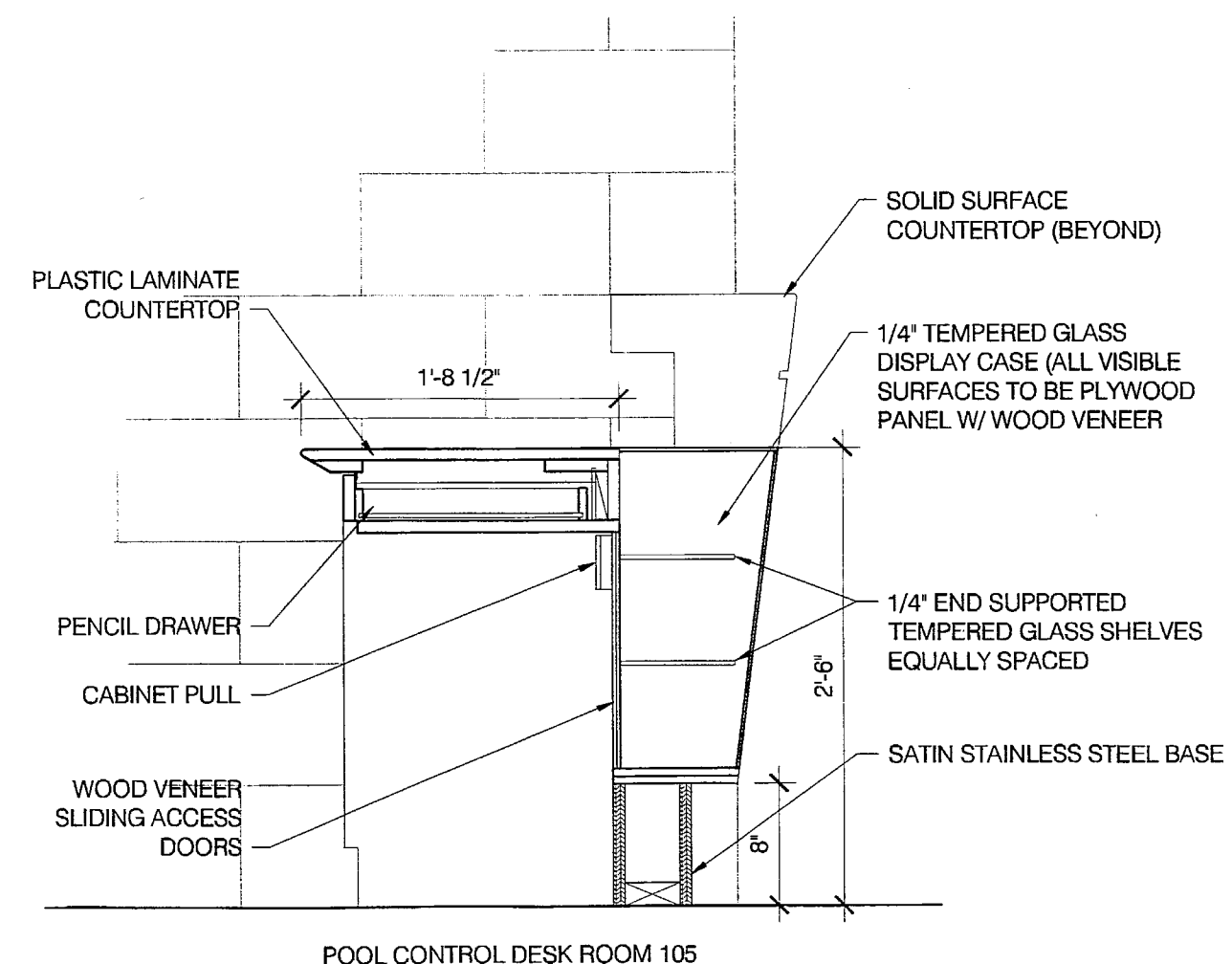
**10** MILLWORK SECTION  
A4.02 1" = 1'-0"



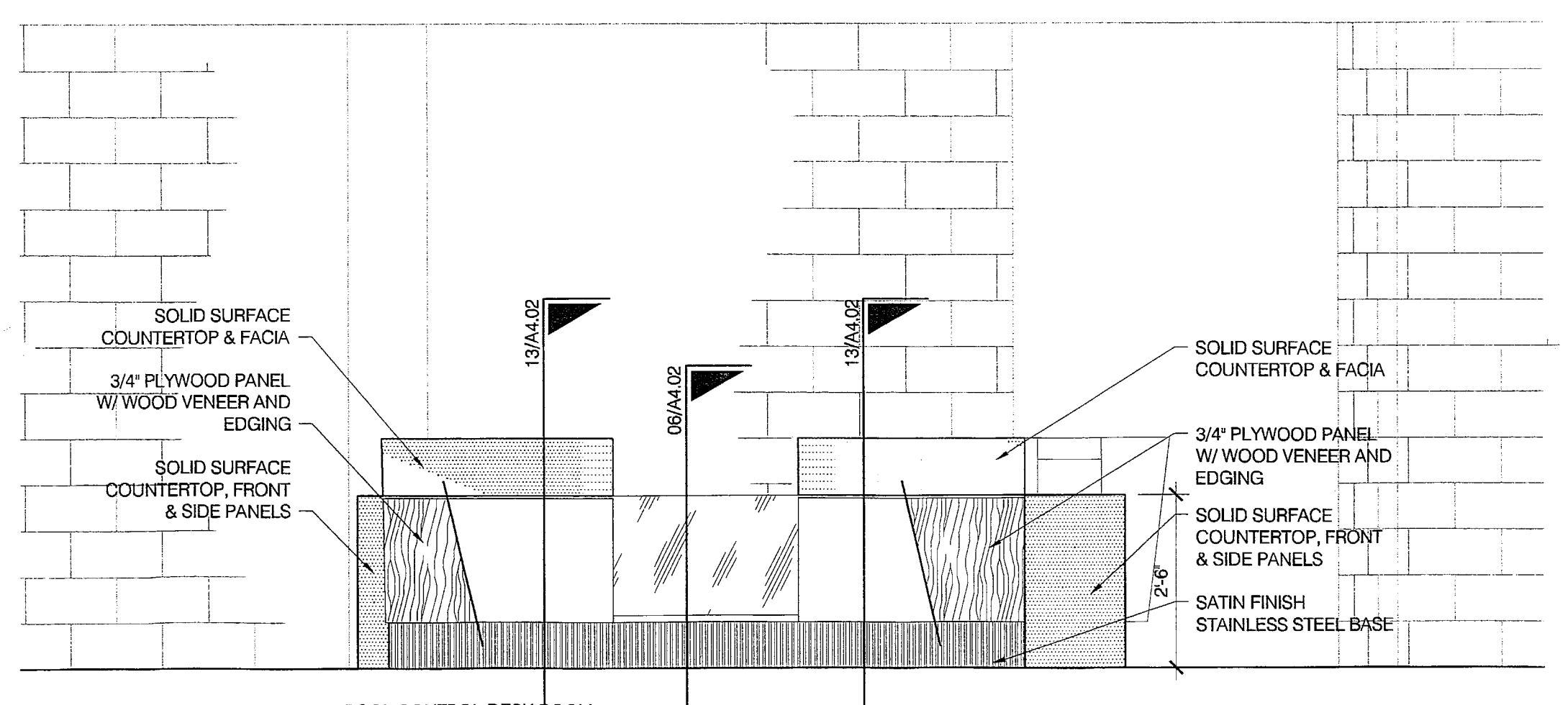
**07** MILLWORK SECTION  
A4.02 1" = 1'-0"



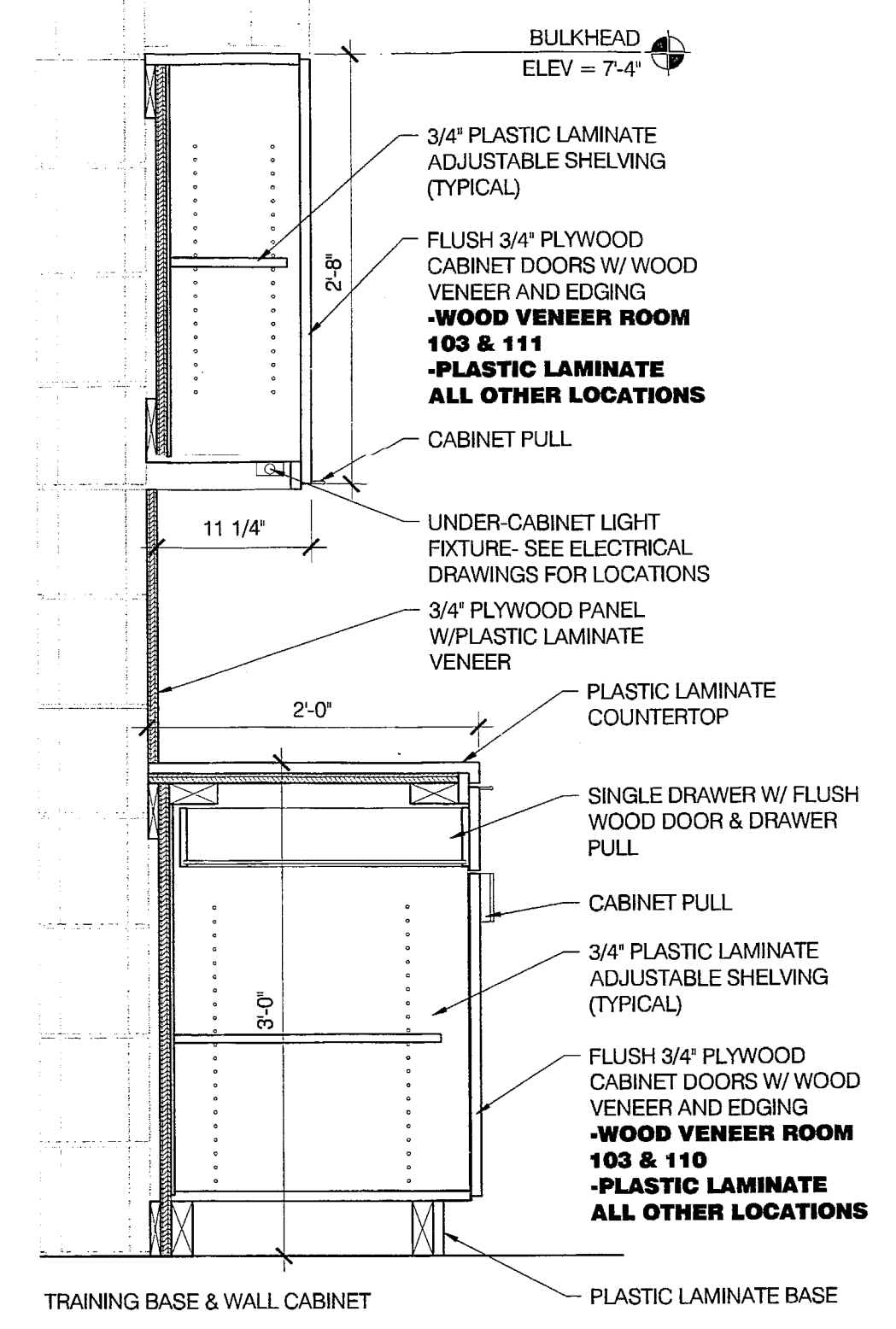
**03** MILLWORK ELEVATION  
A4.02 1/2" = 1'-0"



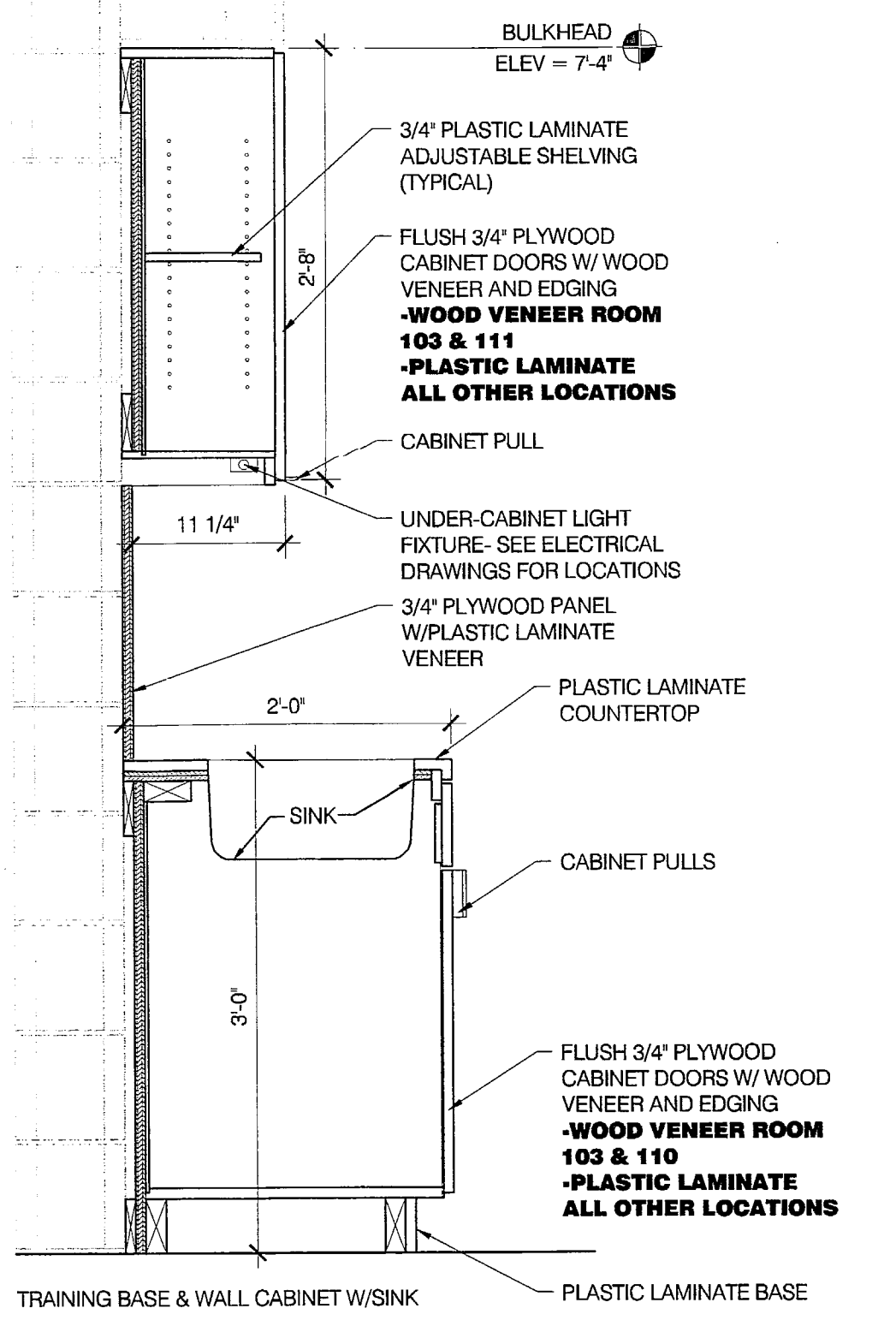
**06** MILLWORK SECTION  
A4.02 1" = 1'-0"



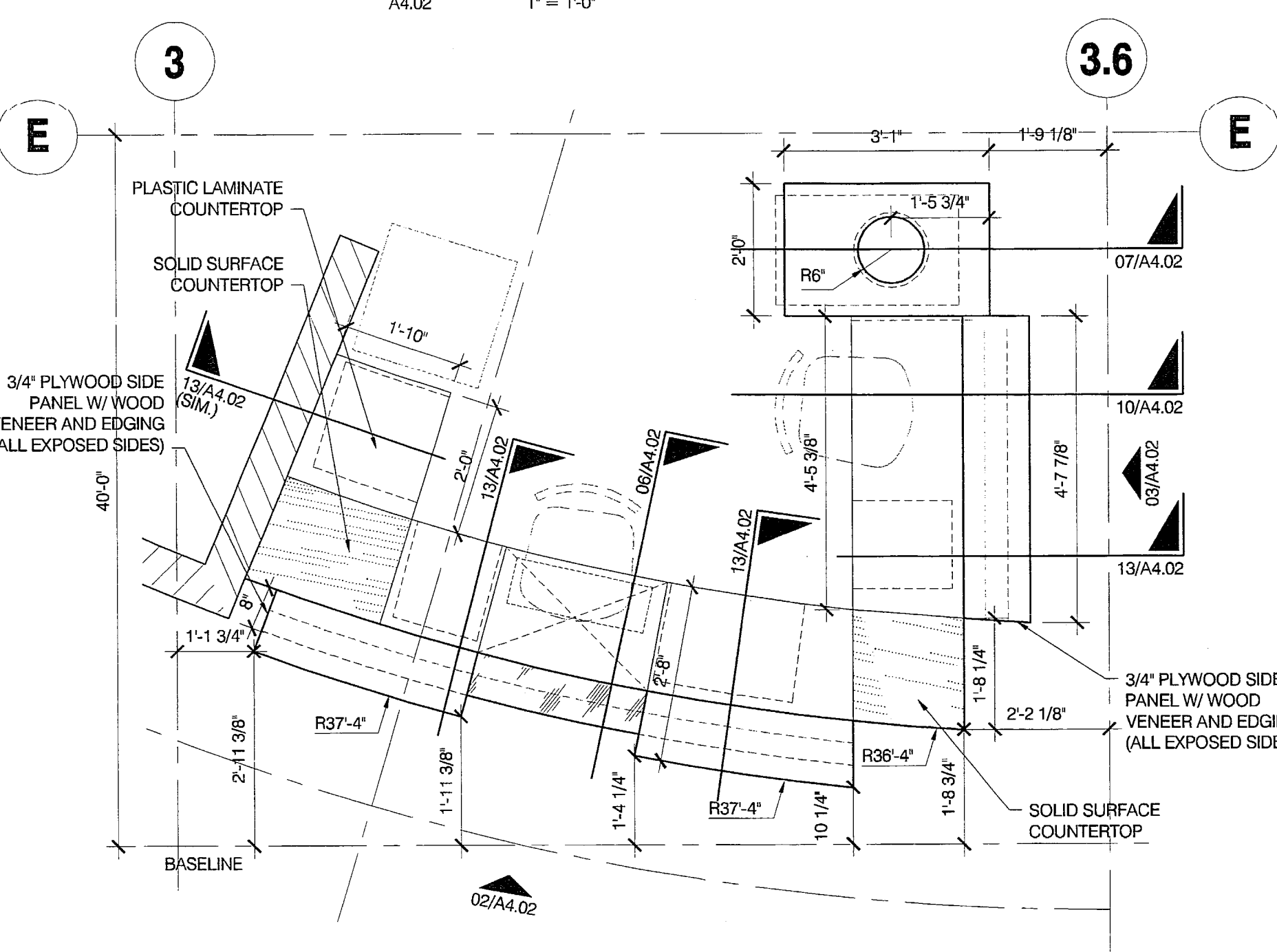
**02** MILLWORK ELEVATION  
A4.02 1/2" = 1'-0"



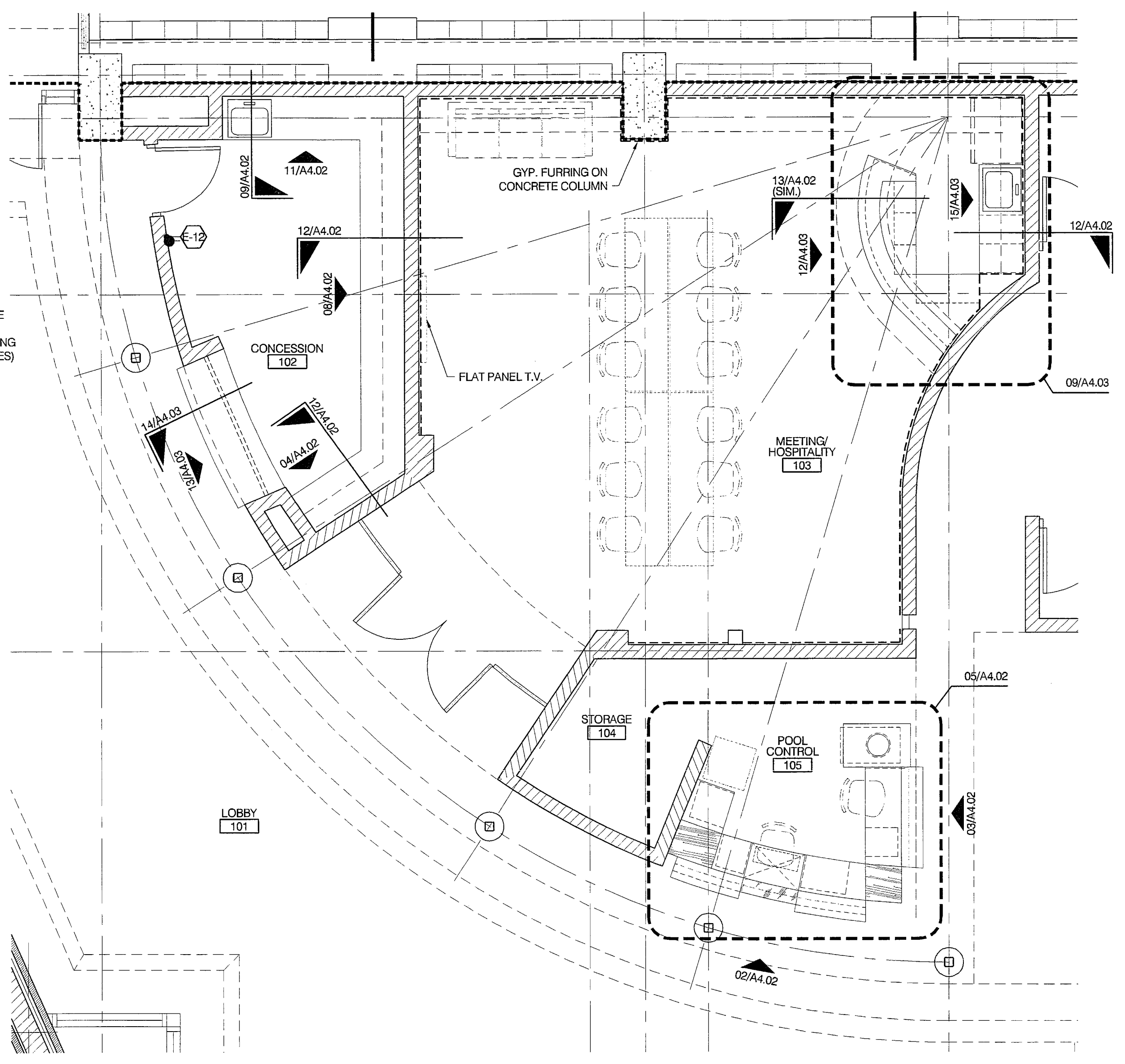
**12** MILLWORK SECTION  
A4.02 1" = 1'-0"



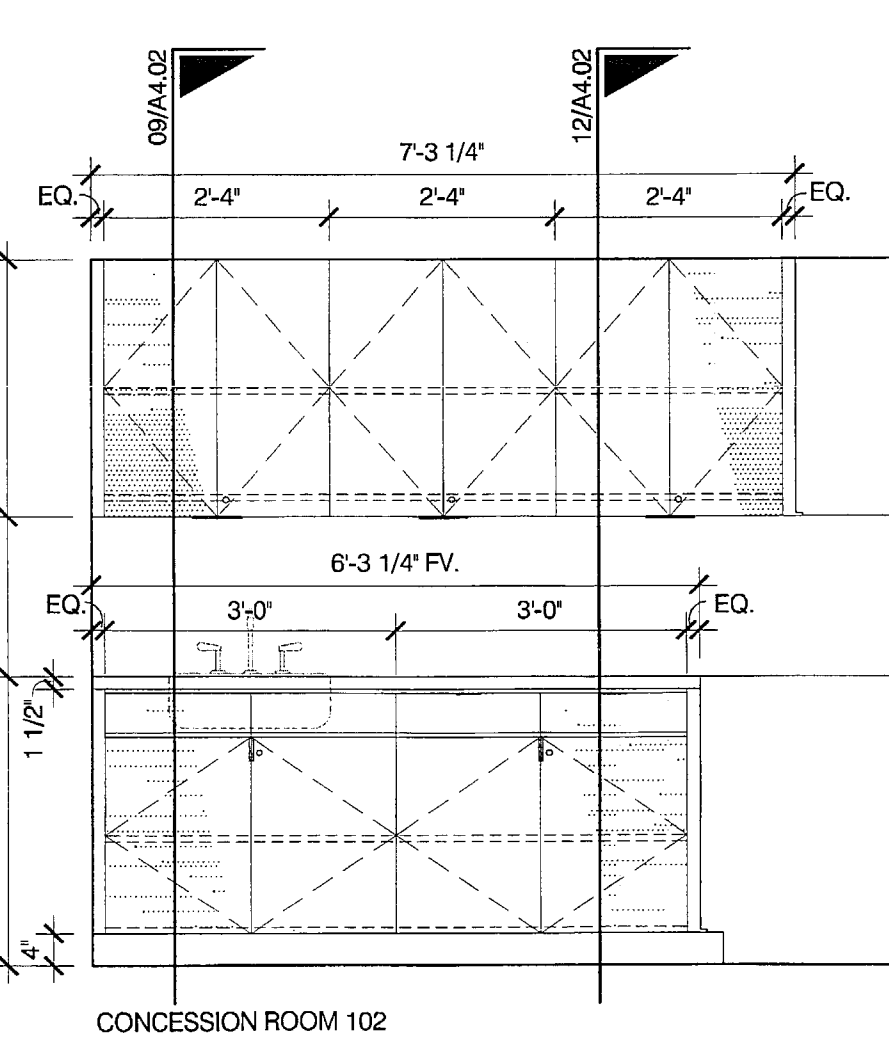
**09** MILLWORK SECTION  
A4.02 1" = 1'-0"



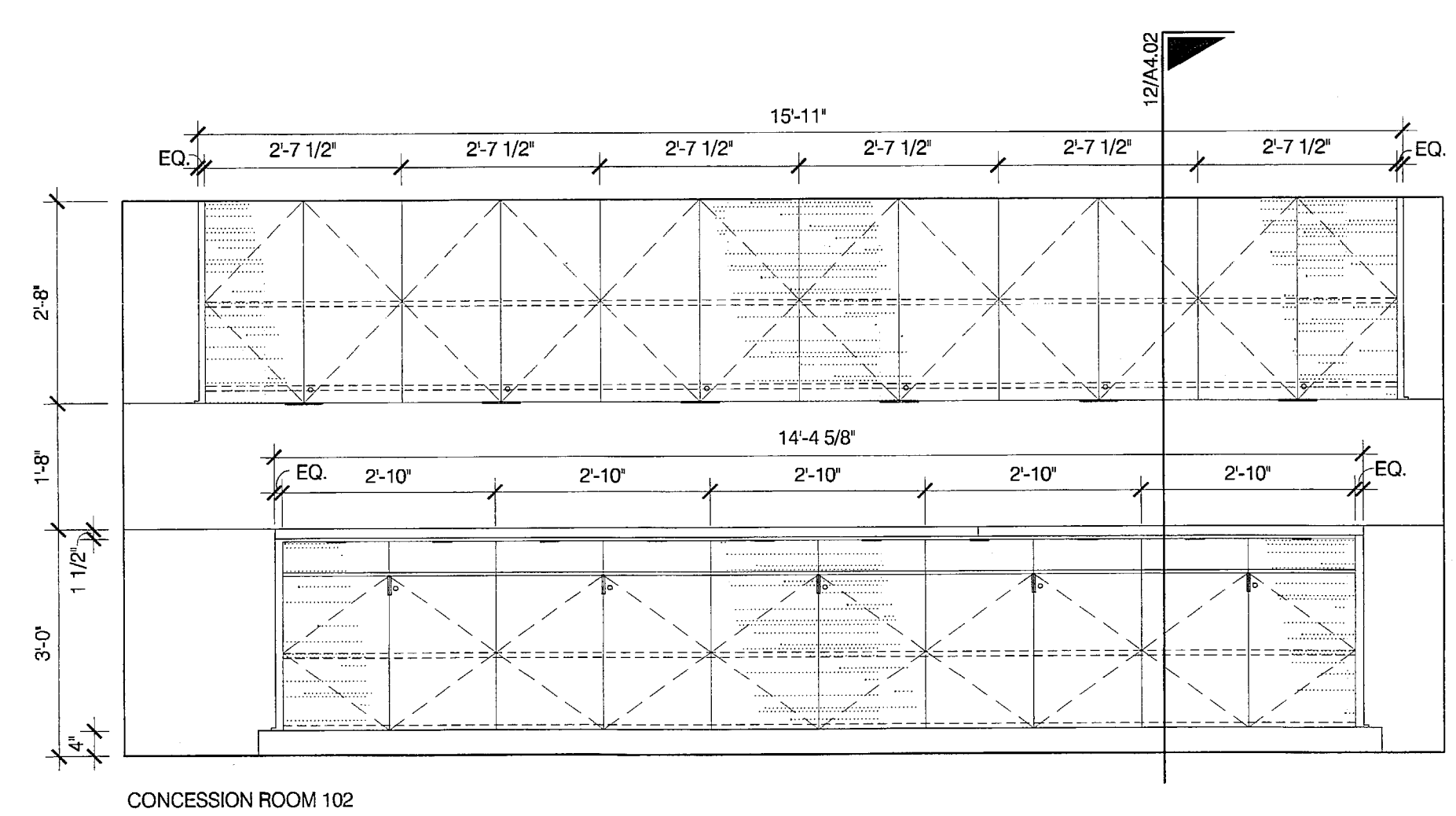
**05** MILLWORK PLAN  
A4.02 1/2" = 1'-0"



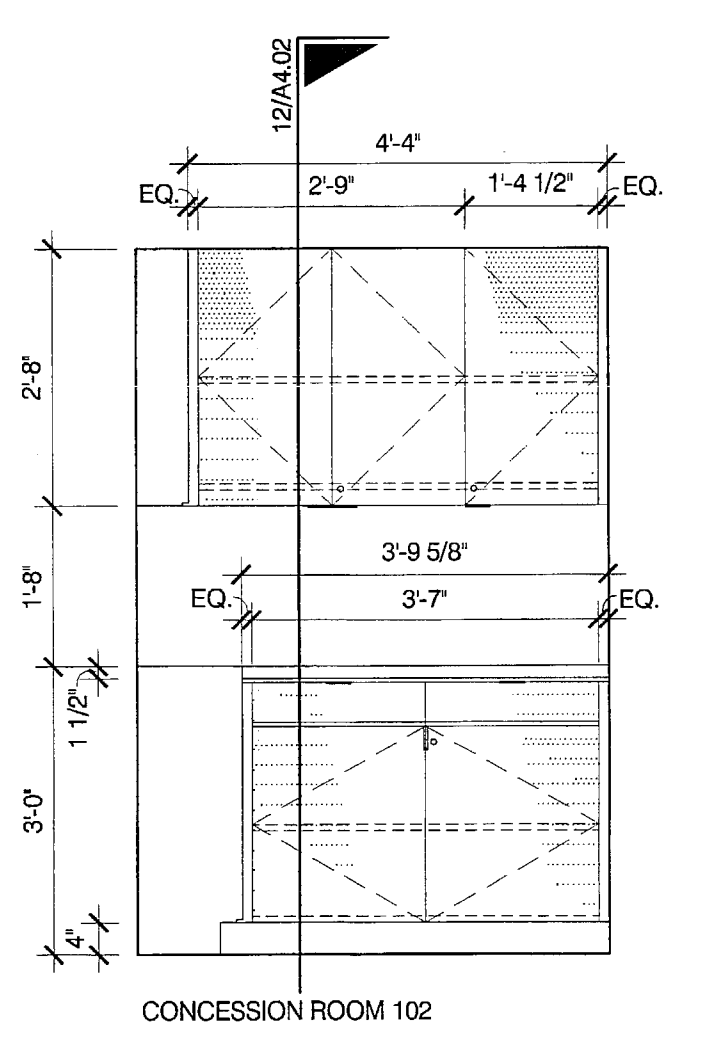
**01** CONCESSIONS/MEETING/HOSPITALITY/POOL CONTROL EQUIPMENT PLAN  
A4.02 1/4" = 1'-0"



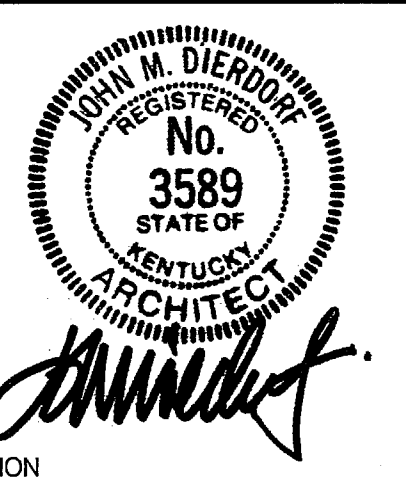
**11** MILLWORK ELEVATION  
A4.02 1/2" = 1'-0"



**08** MILLWORK ELEVATION  
A4.02 1/2" = 1'-0"



**04** MILLWORK ELEVATION  
A4.02 1/2" = 1'-0"



CERTIFICATION  
CONSTRUCTION DOCUMENTS

CARDINAL PARK NATATORIUM

UNIVERSITY OF LOUISVILLE

Project: 03006  
Drawn: D. MCCLOSKEY  
Checked: J. LINDSTAEDT  
Scale: Issue Date: AUGUST 27, 2003  
Revision:

CUSTOM MILLWORK & DETAILS

**A4.02**