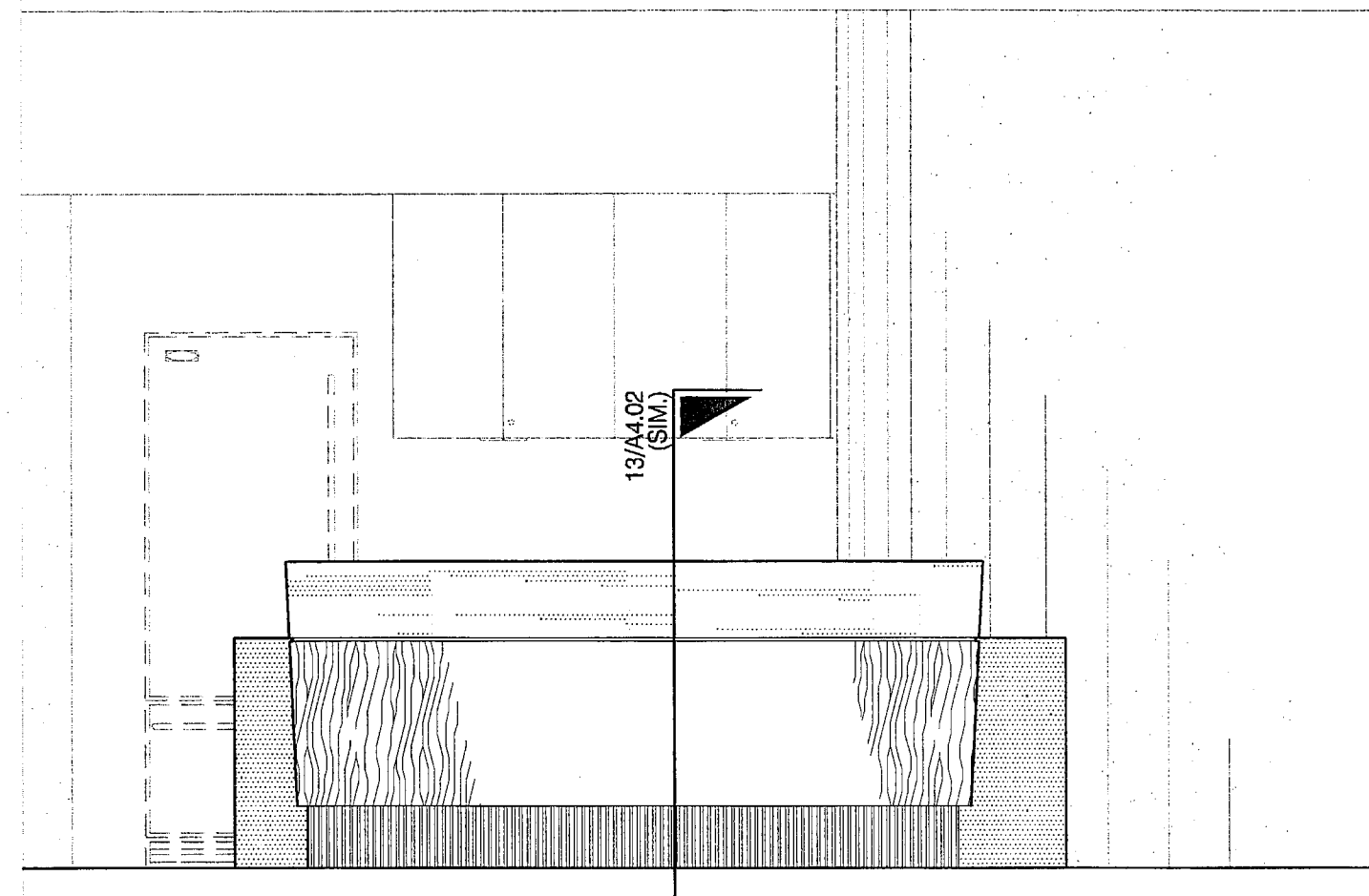


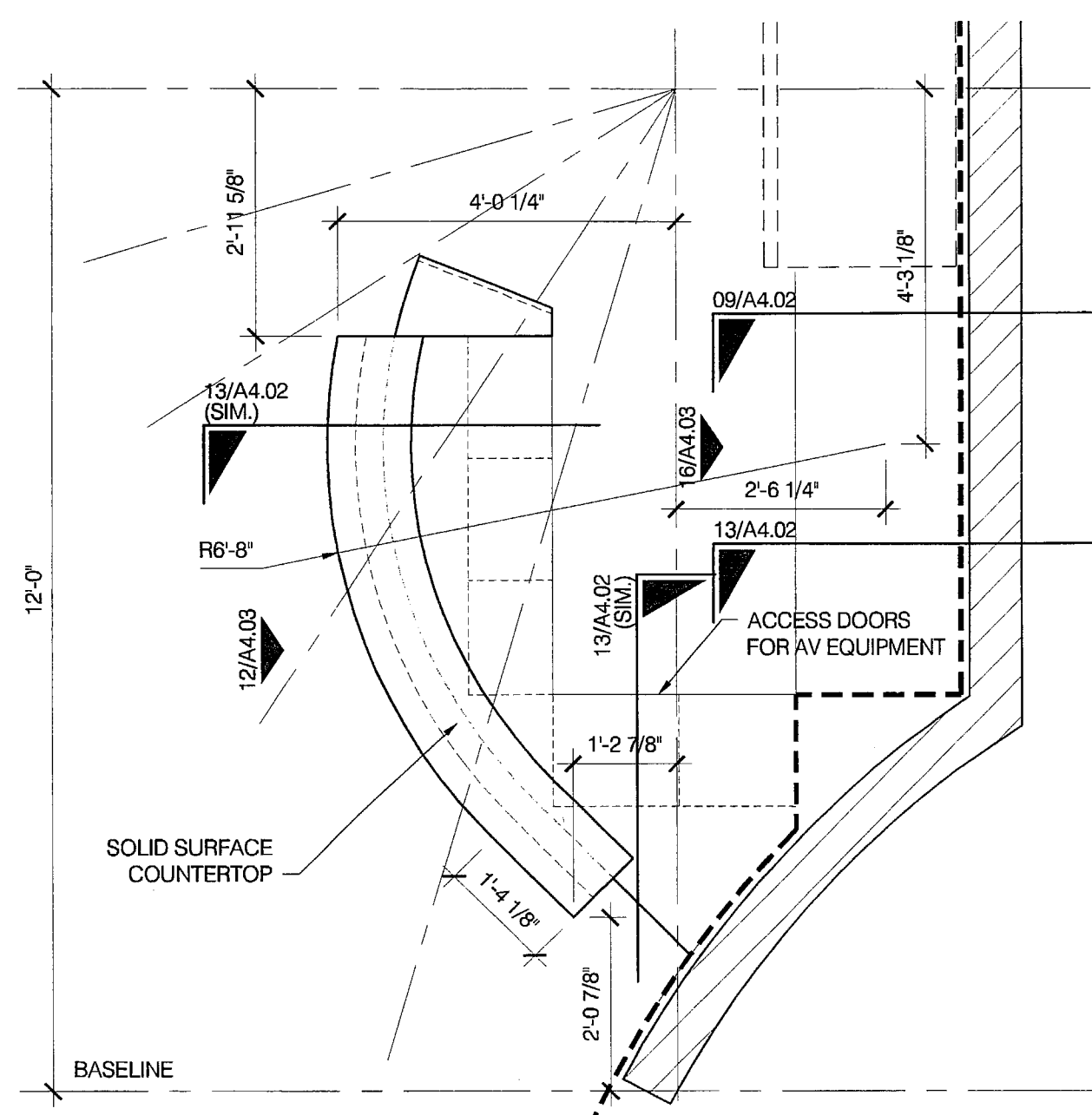
MEETING HOSPITALITY ROOM 103  
**15** MILLWORK ELEVATION

A4.03 1/2" = 1'-0"



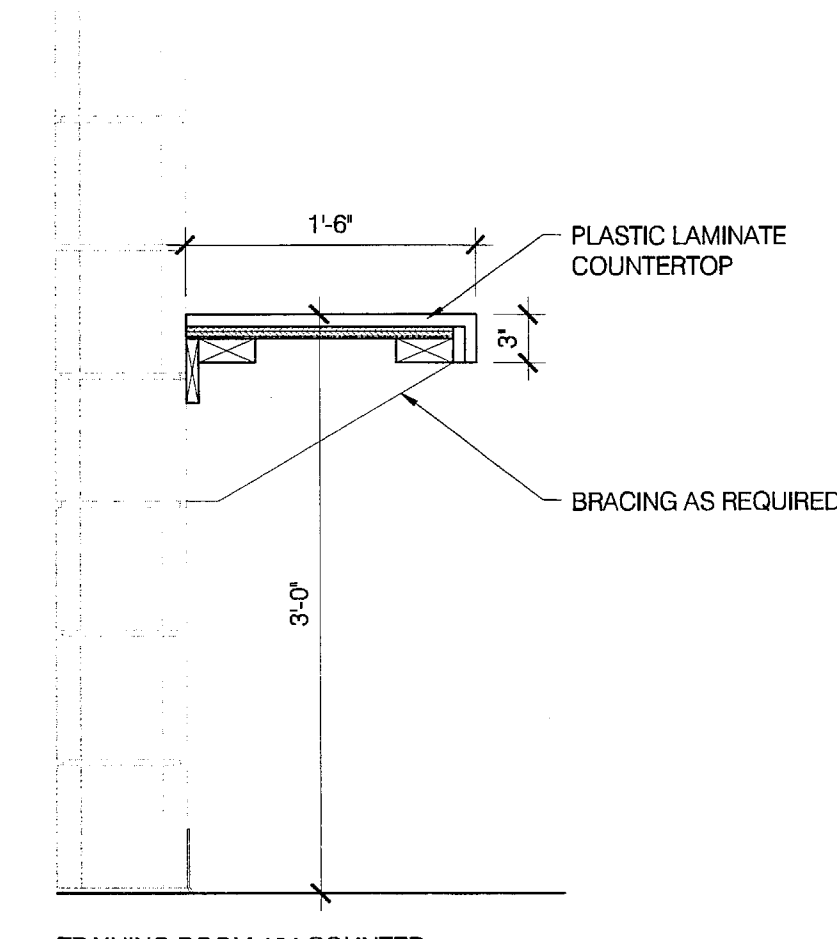
MEETING HOSPITALITY ROOM 103  
**12** MILLWORK ELEVATION

A4.03 1/2" = 1'-0"



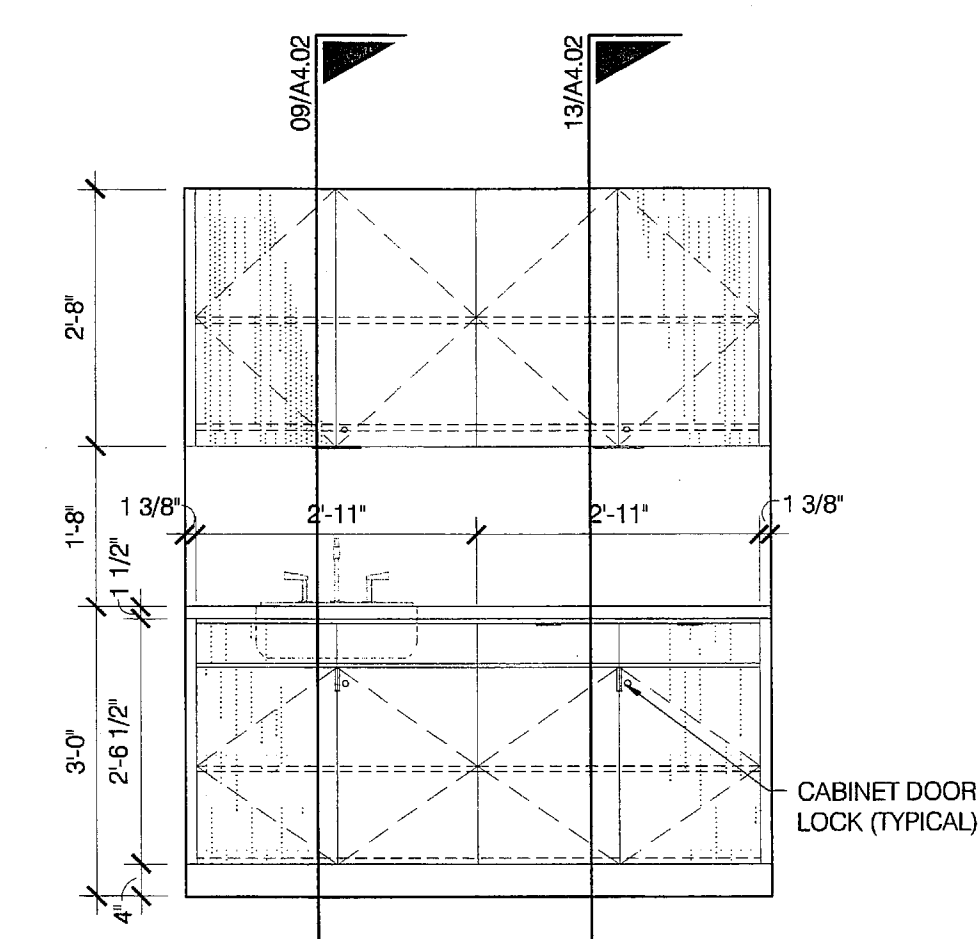
MEETING HOSPITALITY ROOM 103  
**09** MILLWORK PLAN

A4.03 1/2" = 1'-0"



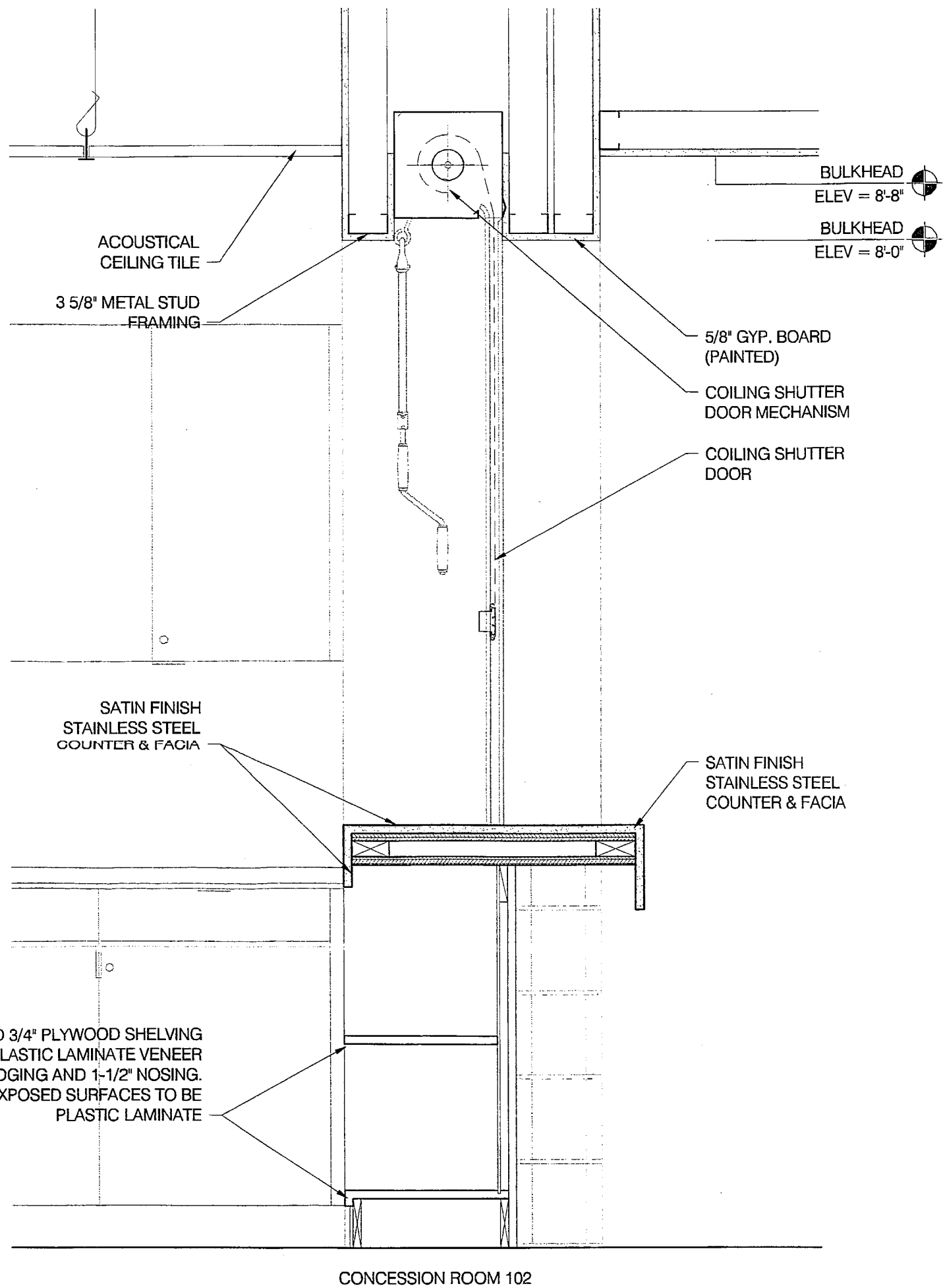
TRAINING ROOM 124 COUNTER  
**06** MILLWORK SECTION

A4.03 1" = 1'-0"



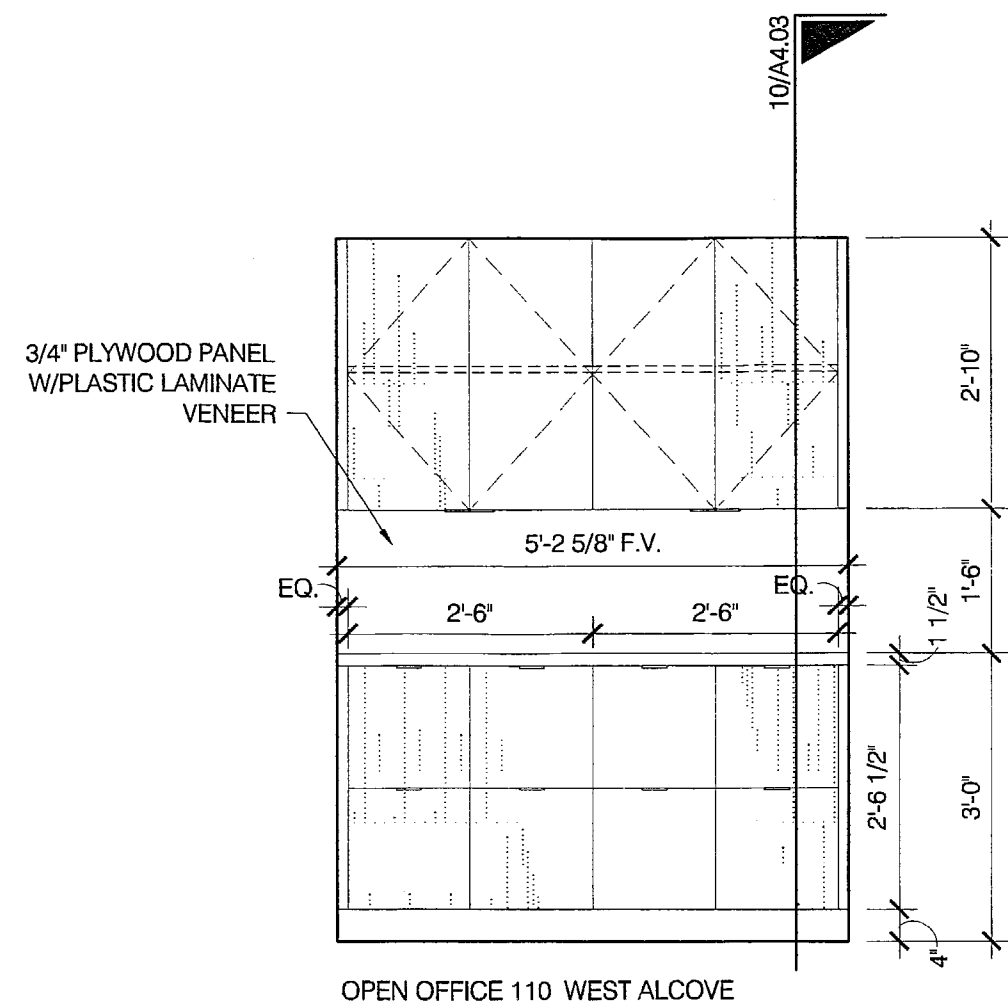
TRAINING ROOM 124  
**05** MILLWORK ELEVATION

A4.03 1/2" = 1'-0"



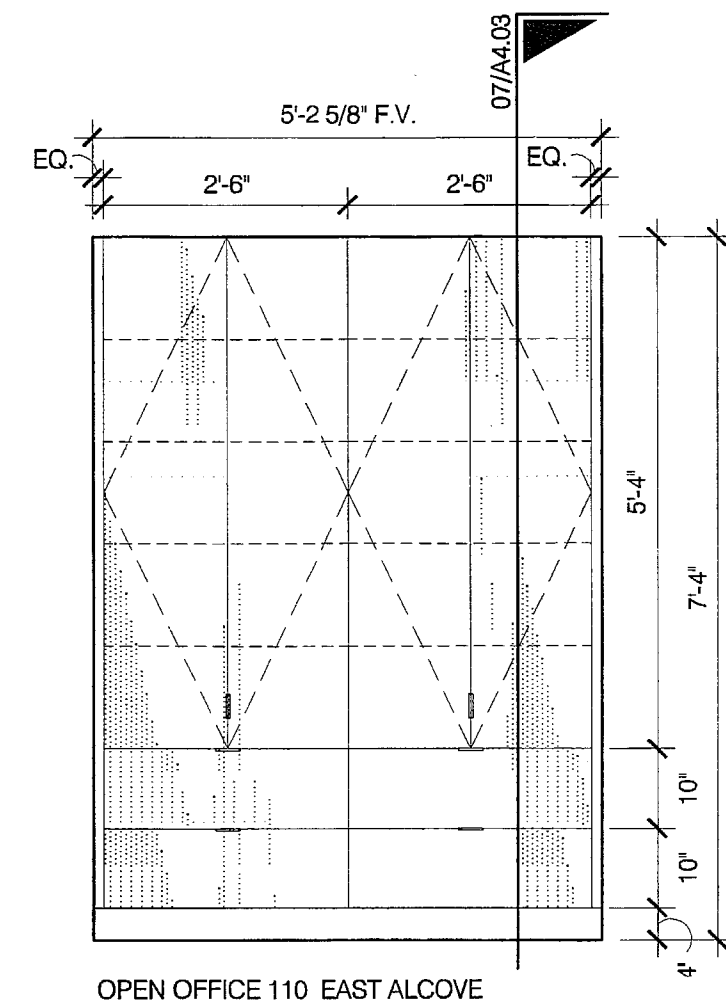
CONCESSION ROOM 102  
**14** MILLWORK SECTION

A4.03 1" = 1'-0"



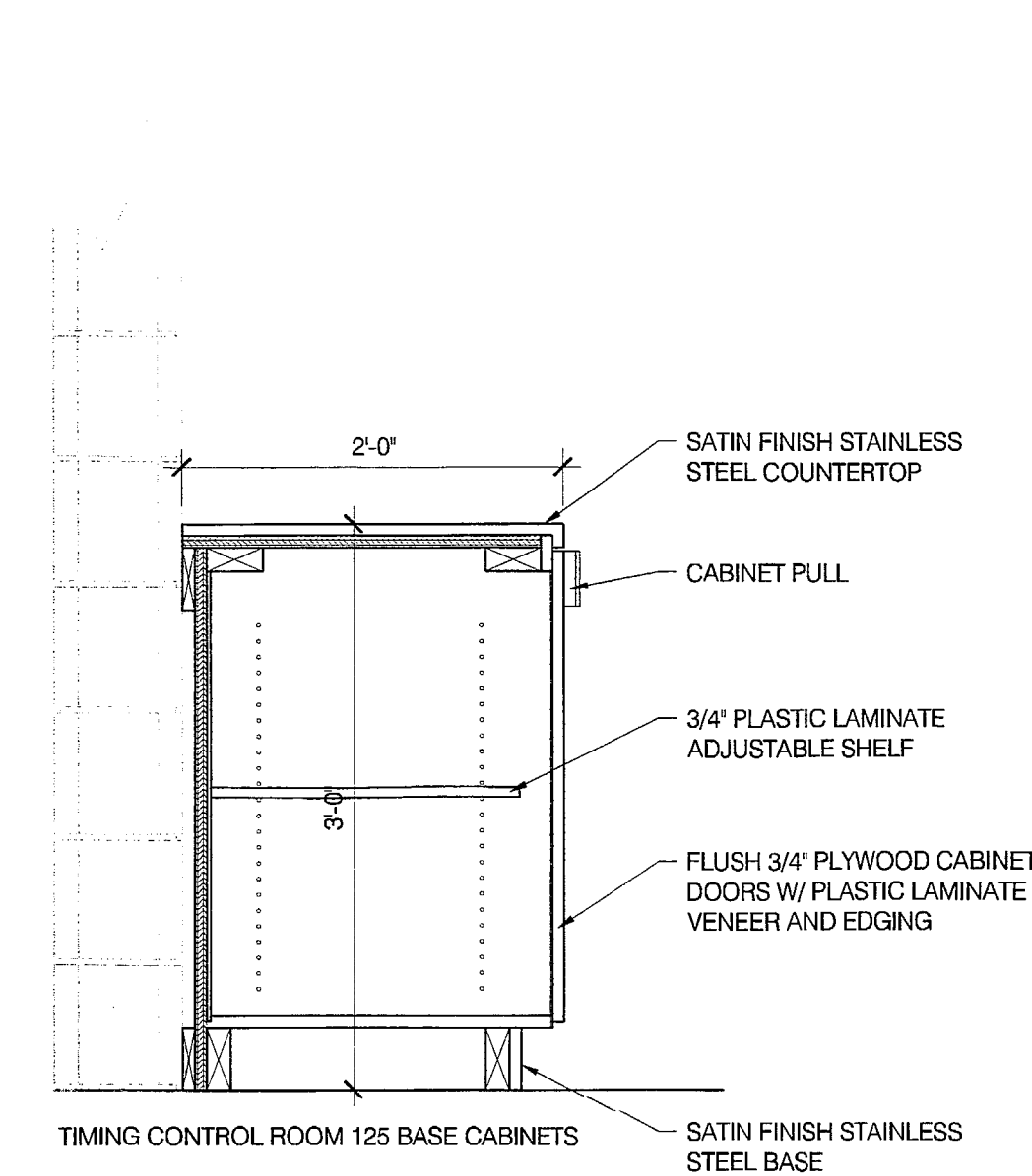
OPEN OFFICE 110 WEST ALCOVE  
**11** MILLWORK ELEVATION

A4.03 1/2" = 1'-0"



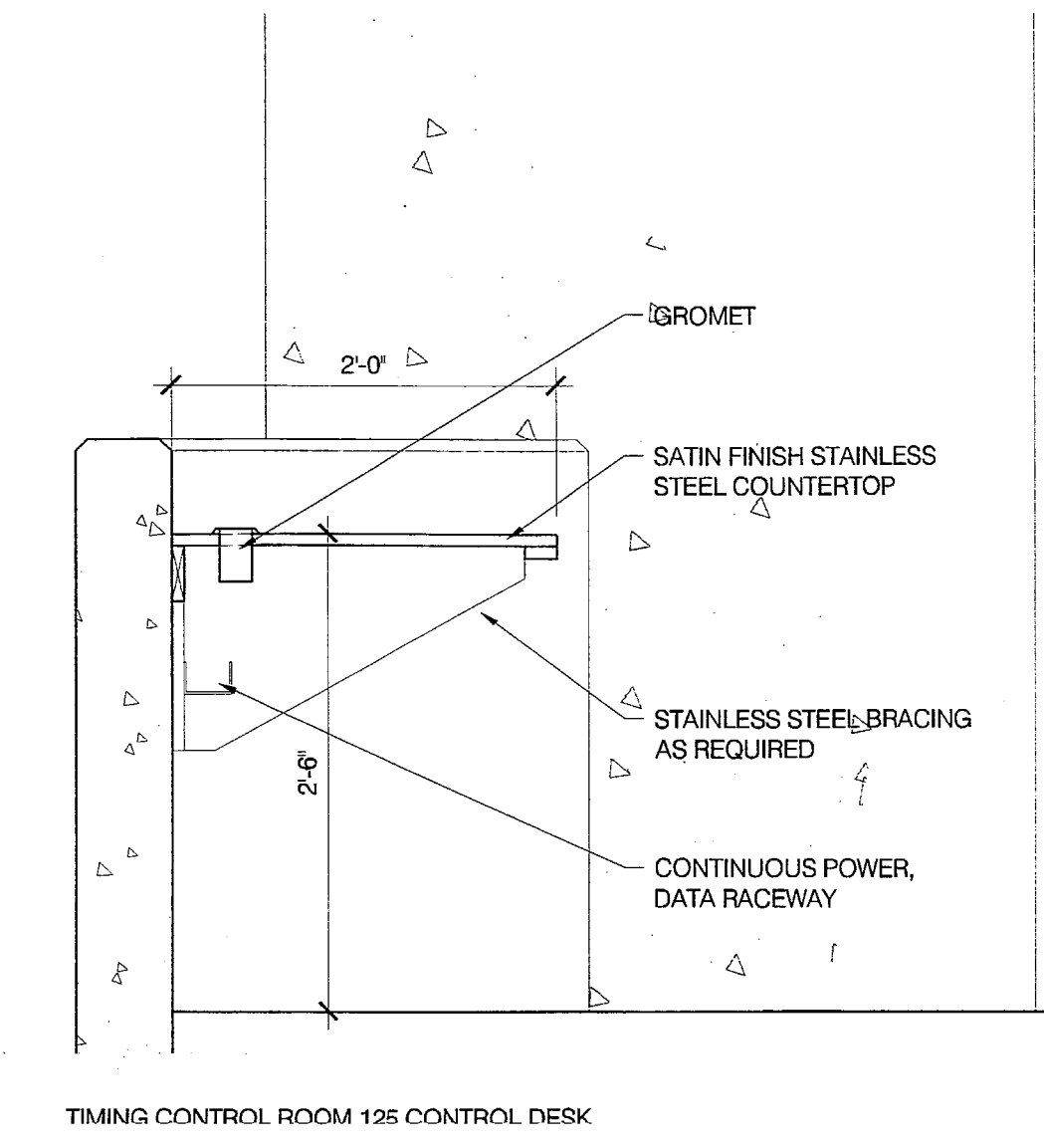
OPEN OFFICE 110 EAST ALCOVE  
**08** MILLWORK ELEVATION

A4.03 1/2" = 1'-0"



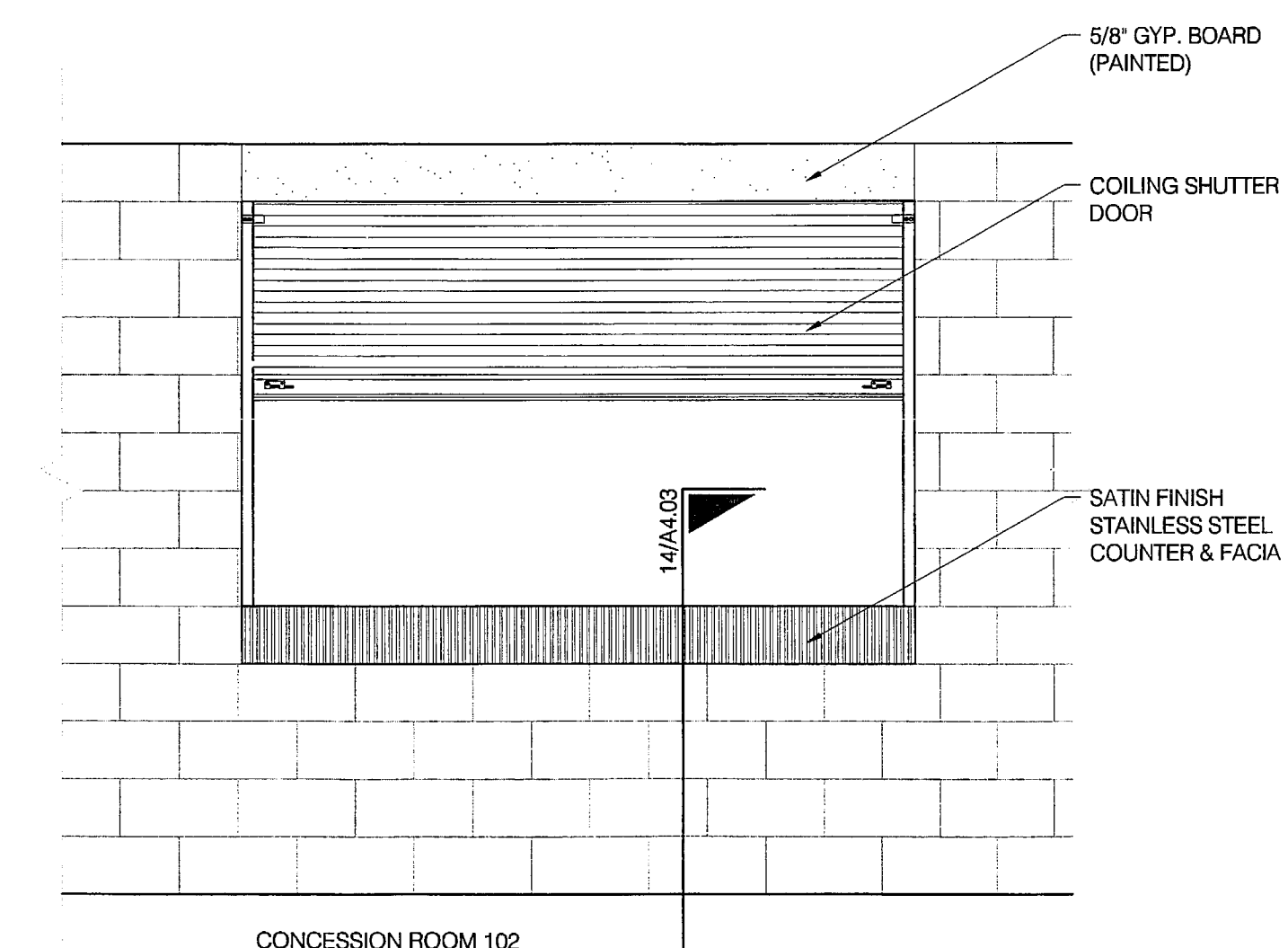
TIMING CONTROL ROOM 125 BASE CABINETS  
**04** MILLWORK SECTION

A4.03 1" = 1'-0"



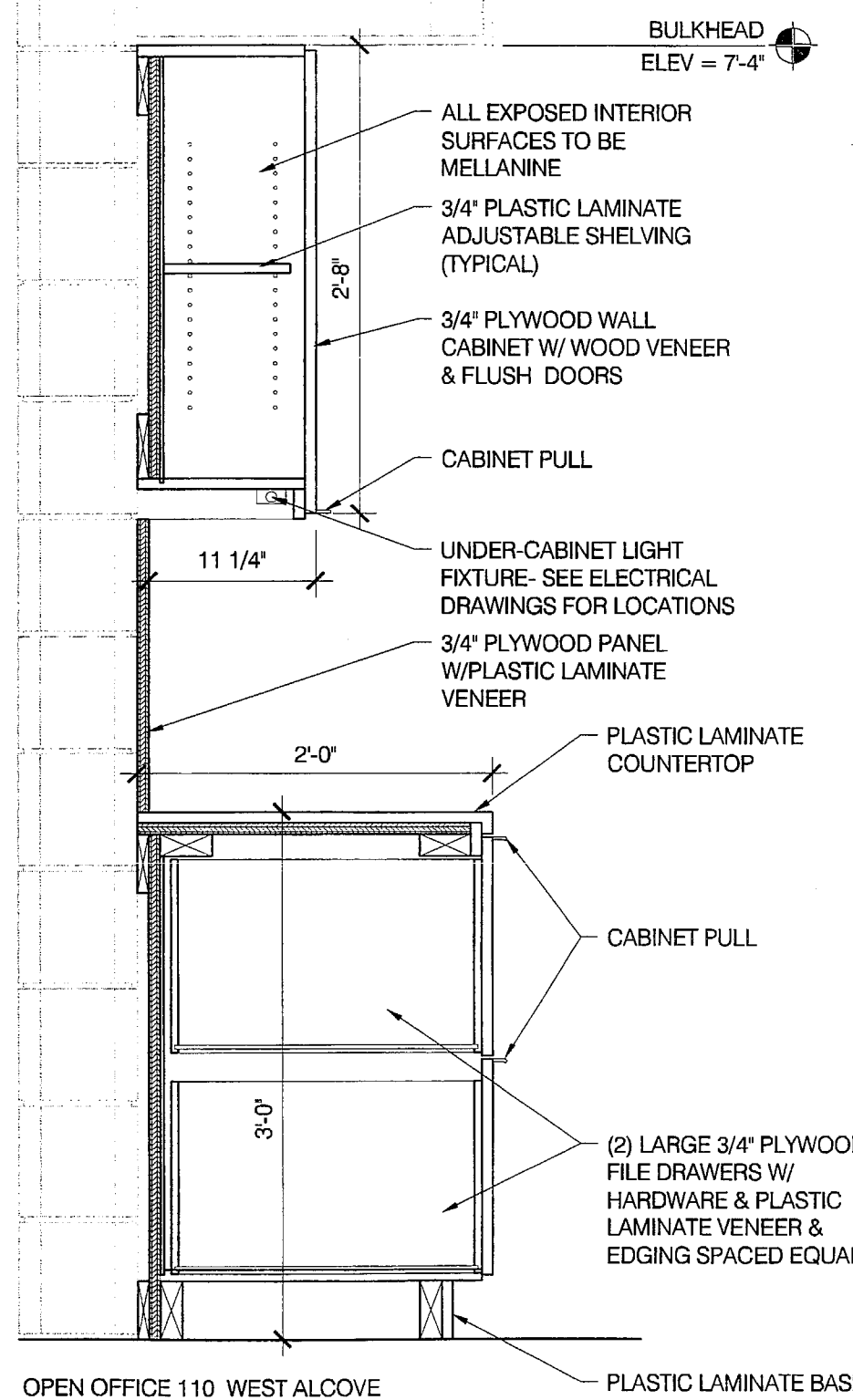
TIMING CONTROL ROOM 125 CONTROL DESK  
**03** MILLWORK SECTION

A4.03 1" = 1'-0"



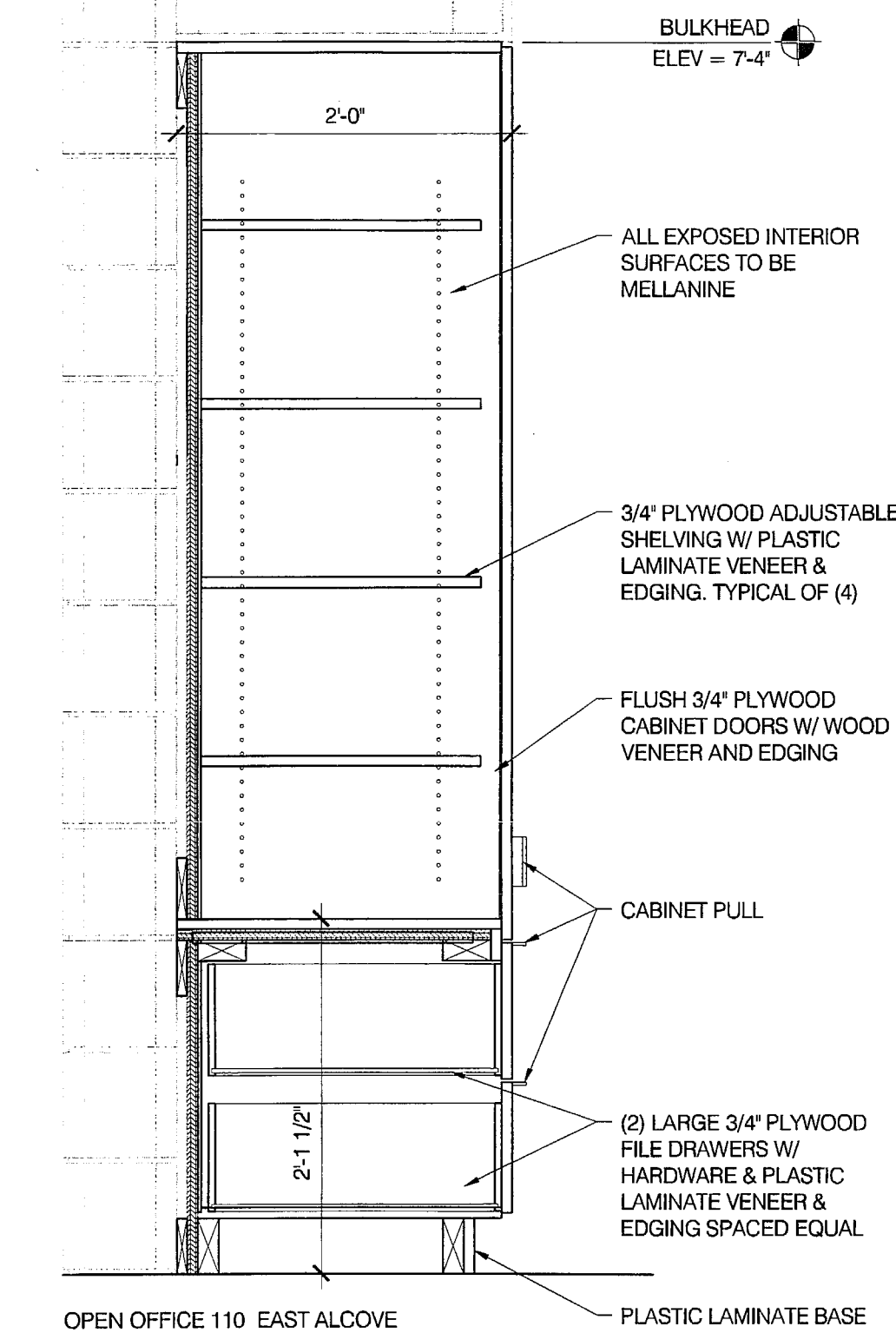
CONCESSION ROOM 102  
**13** MILLWORK ELEVATION

A4.03 1/2" = 1'-0"



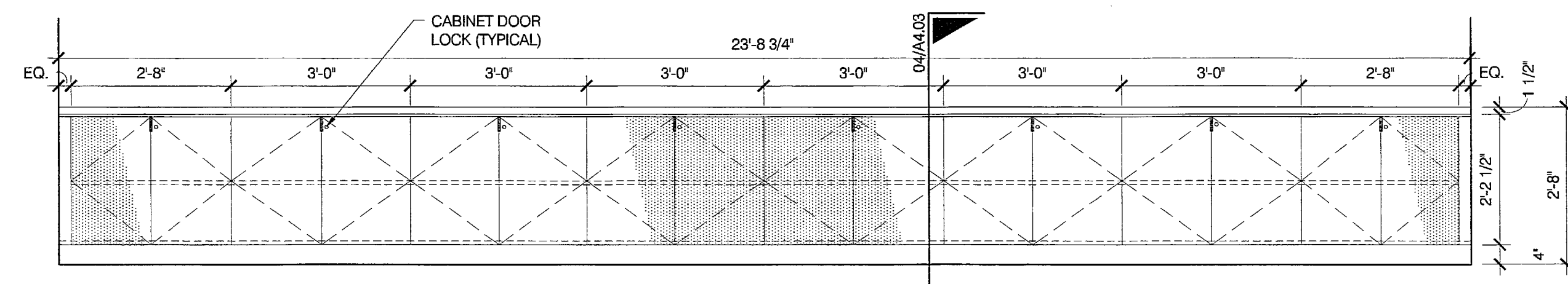
OPEN OFFICE 110 WEST ALCOVE  
**10** MILLWORK SECTION

A4.03 1" = 1'-0"



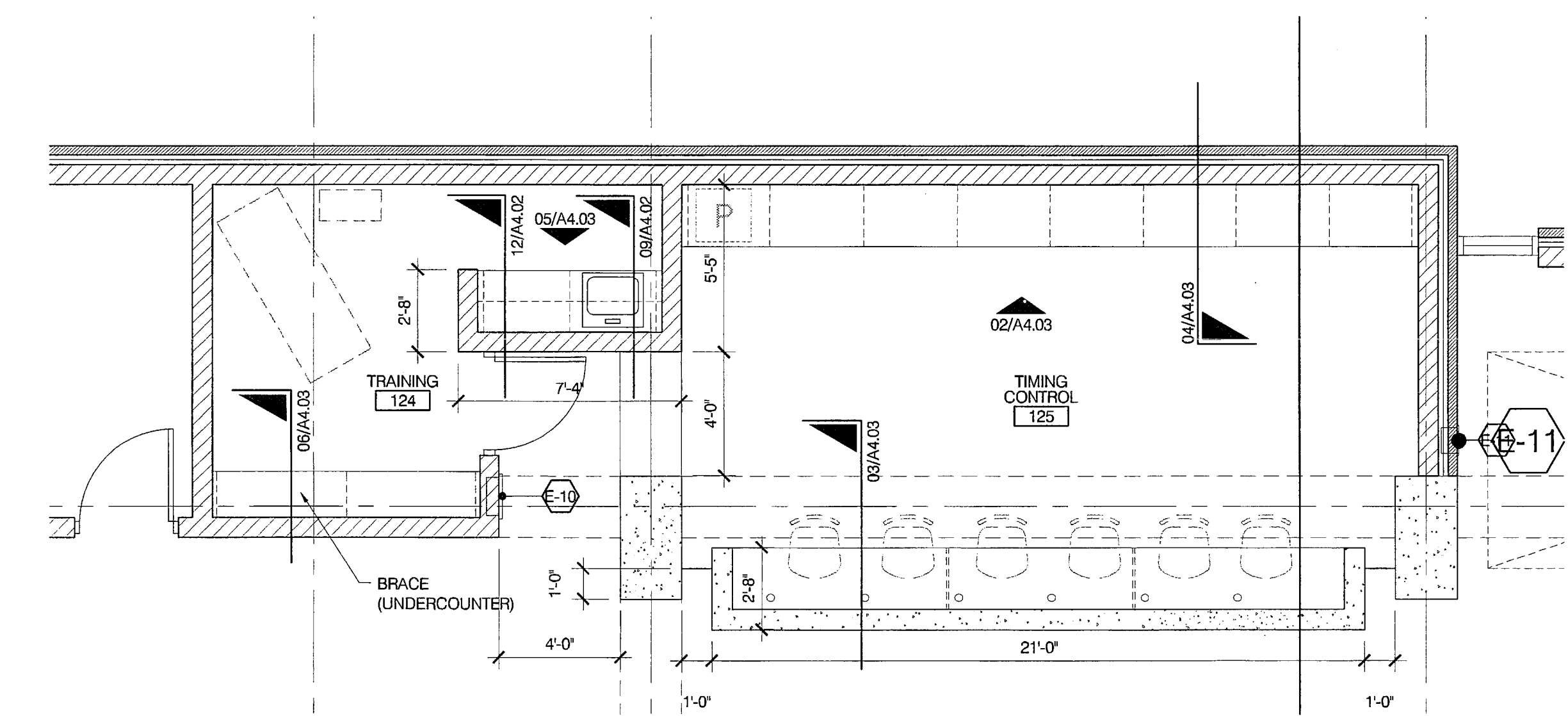
OPEN OFFICE 110 EAST ALCOVE  
**07** MILLWORK SECTION

A4.03 1" = 1'-0"



TIMING CONTROL ROOM 125 BASE CABINETS  
**02** MILLWORK ELEVATION

A4.03 1/2" = 1'-0"



TIMING CONTROL/TRAINING  
MILLWORK PLAN  
**01**

A4.03 1/4" = 1'-0"

**BROWNING DAY MULLINS DIERDORF ARCHITECTS**

Browning Day Mullins Dierdorf Architects  
Architecture  
Landscape Architecture  
Planning

334 North Senate Avenue  
Indianapolis, Indiana 46204  
P: 317.535.5200  
F: 317.634.5409  
E-Mail: lindstaeedt@bdmd.com

Circle Design Group, Inc.  
Mechanical Electrical Plumbing Engineers

5510 South East Street, Suite F  
Indianapolis, Indiana 46227  
P: 317.781.6200  
F: 317.781.6201  
E-Mail: kerry@circledesigngroup.com

Lawson Elser Engineering Consultants  
Structural Engineers

650 East Carmel Drive, Suite 150  
Carmel, Indiana 46032  
P: 317.574.8409  
F: 317.574.9431  
E-Mail: mlawson@lawsonelser.com

Skees Engineering, Inc.  
Civil Engineers

400 Blankenbaker Parkway, Suite 300  
Louisville, KY 40243  
P: 502.254.2344  
F: 502.254.3008  
E-Mail: dcmckinnon@skees.com



CERTIFICATION

CONSTRUCTION DOCUMENTS

CARDINAL PARK NATATORIUM

UNIVERSITY OF LOUISVILLE

Project: 03006  
Drawn: D. MCCLOSKEY  
Checked: J. LINDSTAEDET  
Scale: AUGUST 27, 2003  
Revision:

CUSTOM MILLWORK & DETAILS

**A4.03**