

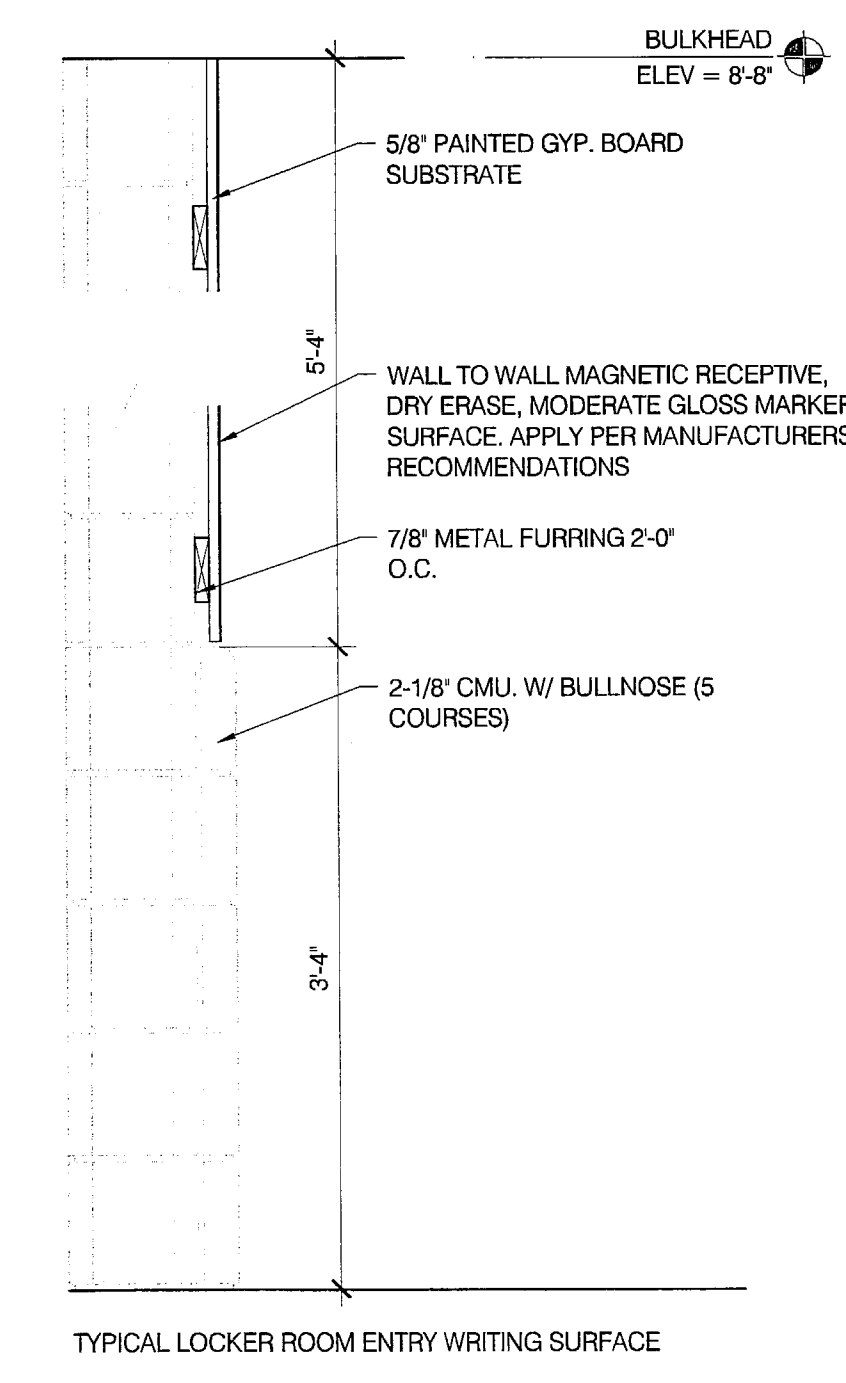
Browning Day Mullins Dierdorf Architects
Architecture
Landscape Architecture
Planning

334 North Senate Avenue
Indianapolis, Indiana 46204
P: 317.635.5000
F: 317.634.5409
E-Mail: j.lindstaedt@bdmd.com

Circle Design Group, Inc.
Mechanical Electrical Plumbing Engineers
5610 South East Street, Suite F
Indianapolis, Indiana 46227
P: 317.781.6200
F: 317.781.6201
E-Mail: kerry@circledesigngroup.com

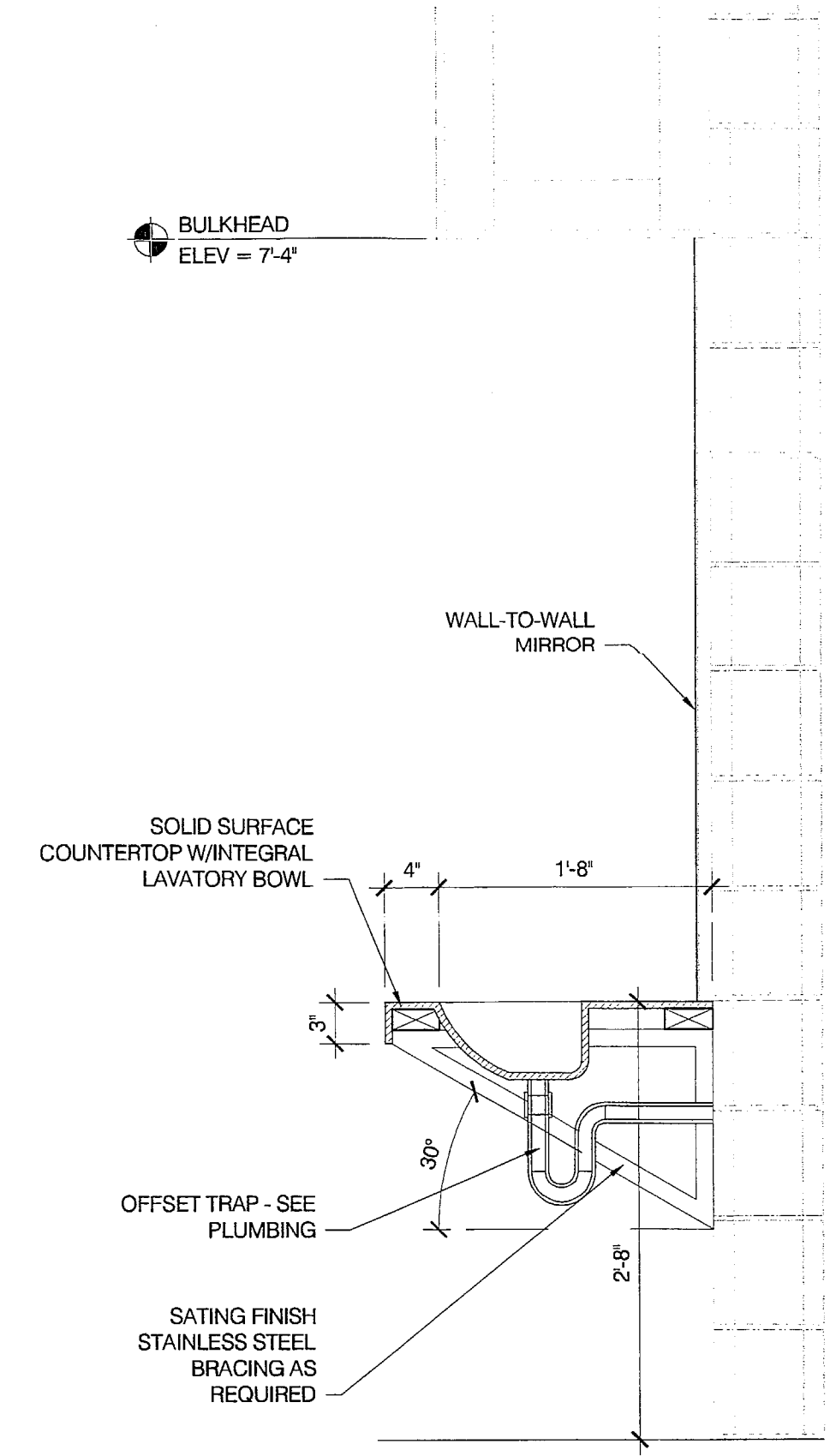
Lawson Elser Engineering Consultants
Structural Engineers
650 East Carmel Drive, Suite 150
Carmel, Indiana 46032
P: 317.574.9409
F: 317.574.9431
E-Mail: mlawson@lawsonelser.com

Skees Engineering, Inc.
Civil Engineers
400 Blankenbaker Parkway, Suite 300
Louisville, KY 40243
P: 502.254.2044
F: 502.254.3008
E-Mail: dmckinnon@skees.com



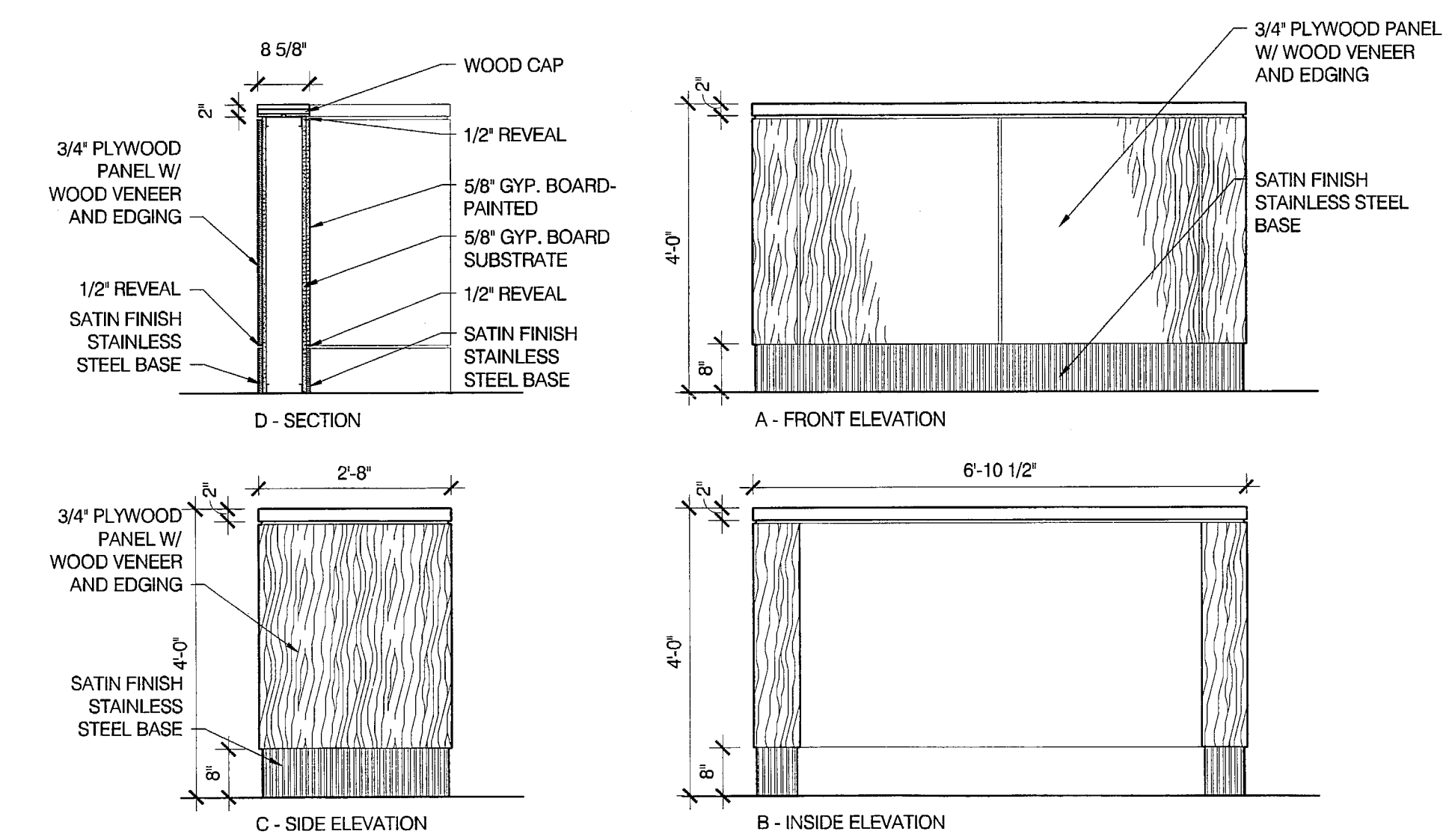
03 MILLWORK SECTION

A4.04 1" = 1'-0"



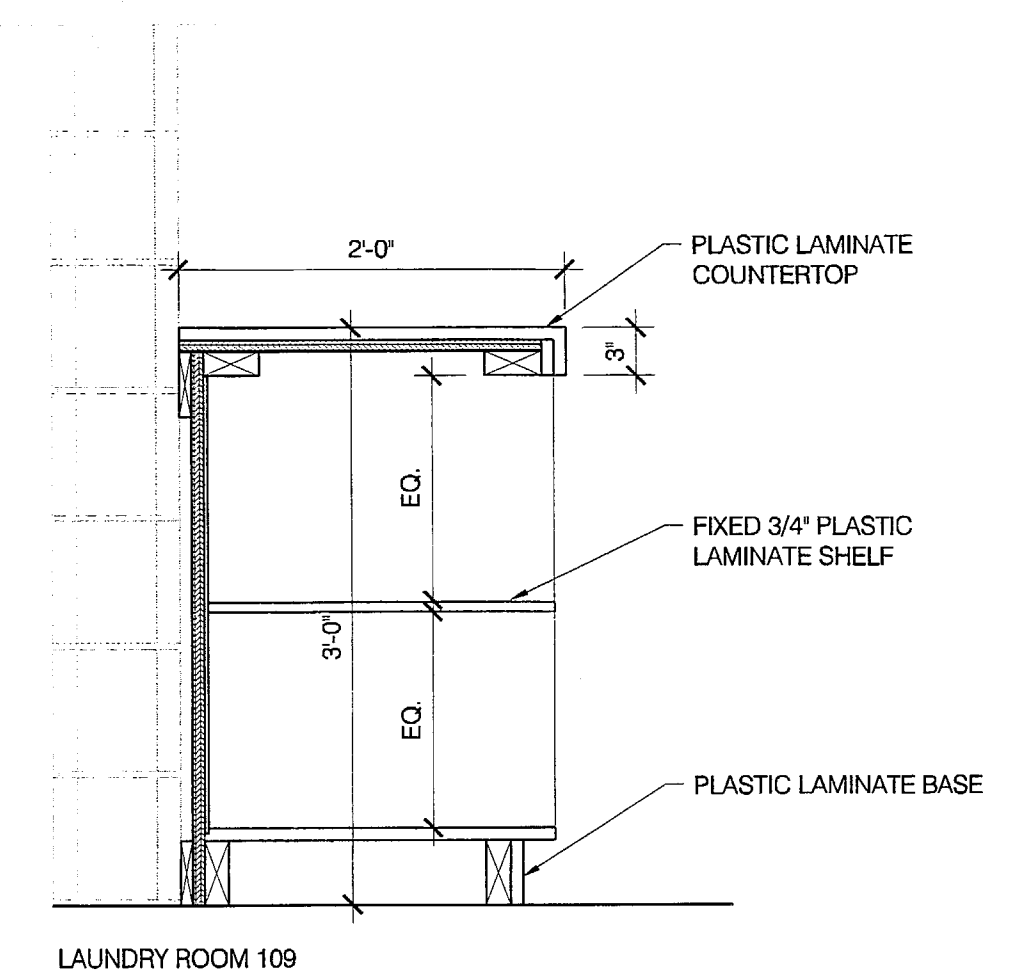
02 MILLWORK SECTION

A4.04 1" = 1'-0"



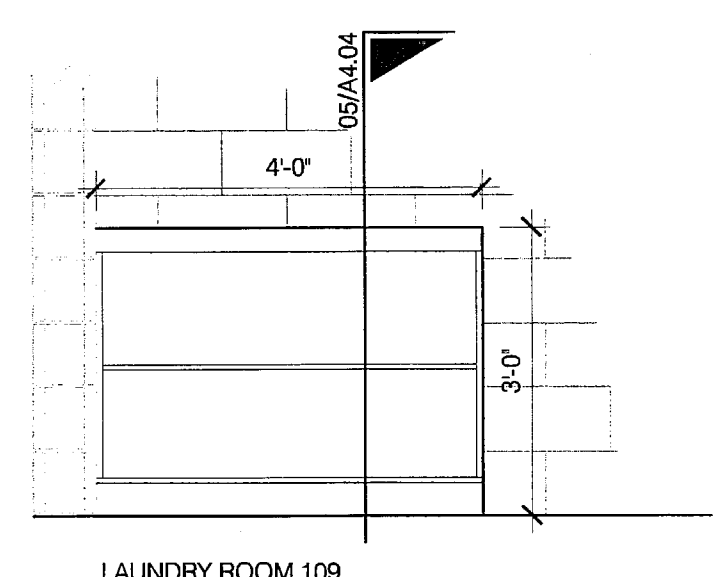
01 OPEN OFFICE ROOM 110 ENTRY ELEVATIONS

A4.04 1/2" = 1'-0"



05 MILLWORK SECTION

A4.04 1" = 1'-0"



04 MILLWORK ELEVATION

A4.04 1/2" = 1'-0"



CERTIFICATION
CONSTRUCTION DOCUMENTS

CARDINAL PARK NATATORIUM

UNIVERSITY OF LOUISVILLE

Project: 03006
Drawn: D. MCCLOSKEY
Checked: J. LINDSTAEDT
Scale: AUGUST 27, 2003
Revision:

CUSTOM MILLWORK & DETAILS

A4.04