

# BROWNING DAY MULLINS DIERDORF ARCHITECTS

Browning Day Mullins Dierdorf Architects  
Architecture  
Landscape Architecture  
Planning

334 North Senate Avenue  
Indianapolis, Indiana 46204  
P: 317.635.5300  
F: 317.634.5409  
E-Mail: jindstaedt@bdmd.com

Circle Design Group, Inc.  
Mechanical Electrical Plumbing Engineers

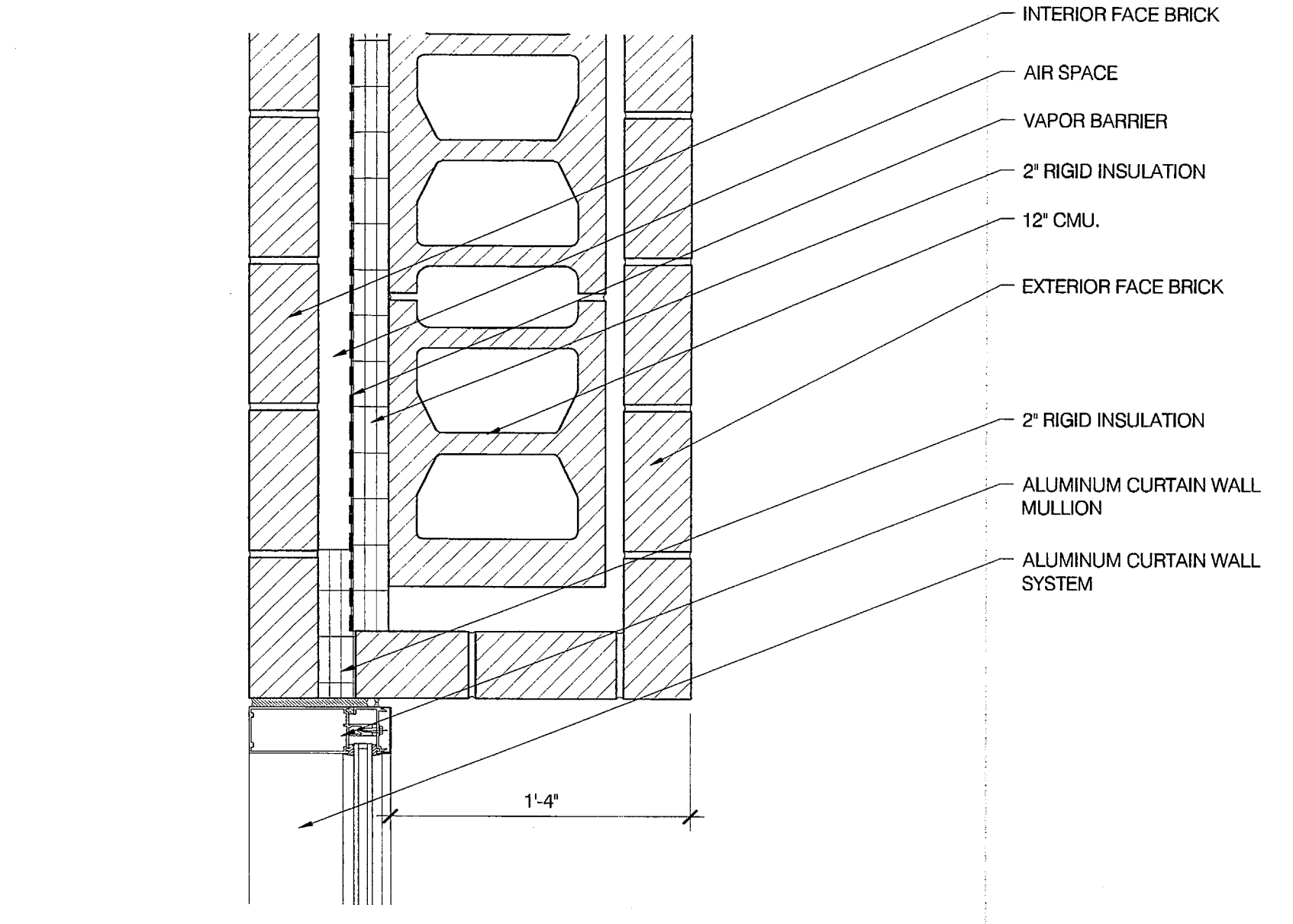
5510 South East Street, Suite F  
Indianapolis, Indiana 46227  
P: 317.781.6200  
F: 317.781.6201  
E-Mail: kerry@circledesigngroup.com

Lawson Elser Engineering Consultants  
Structural Engineers

650 East Carmel Drive, Suite 150  
Carmel, Indiana 46032  
P: 317.574.9409  
F: 317.574.9431  
E-Mail: mlawson@lawsonelser.com

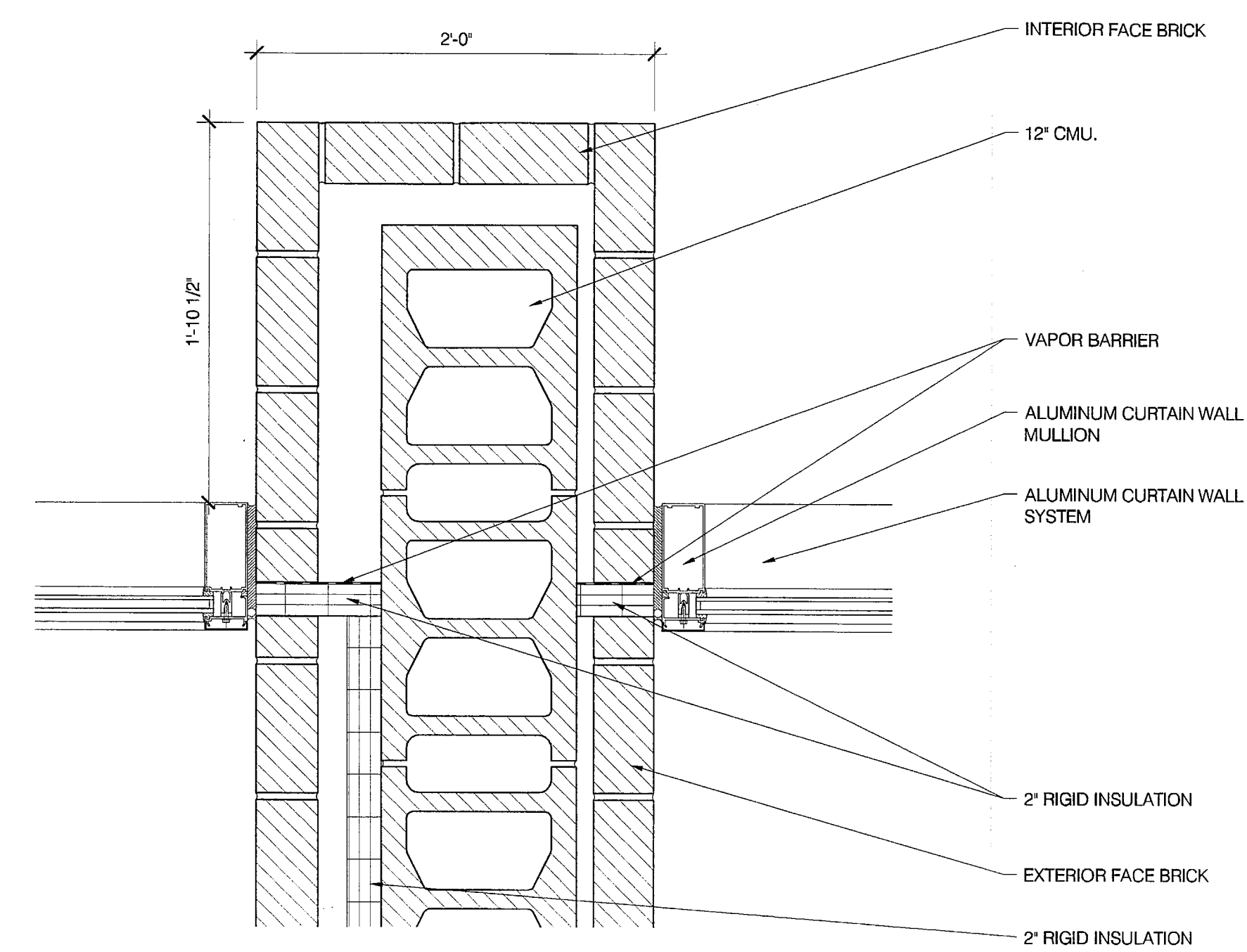
Skees Engineering, Inc.  
Civil Engineers

400 Blankenbaker Parkway, Suite 300  
Louisville, KY 40243  
P: 502.254.2944  
F: 502.254.3008  
E-Mail: dmckinnon@skees.com



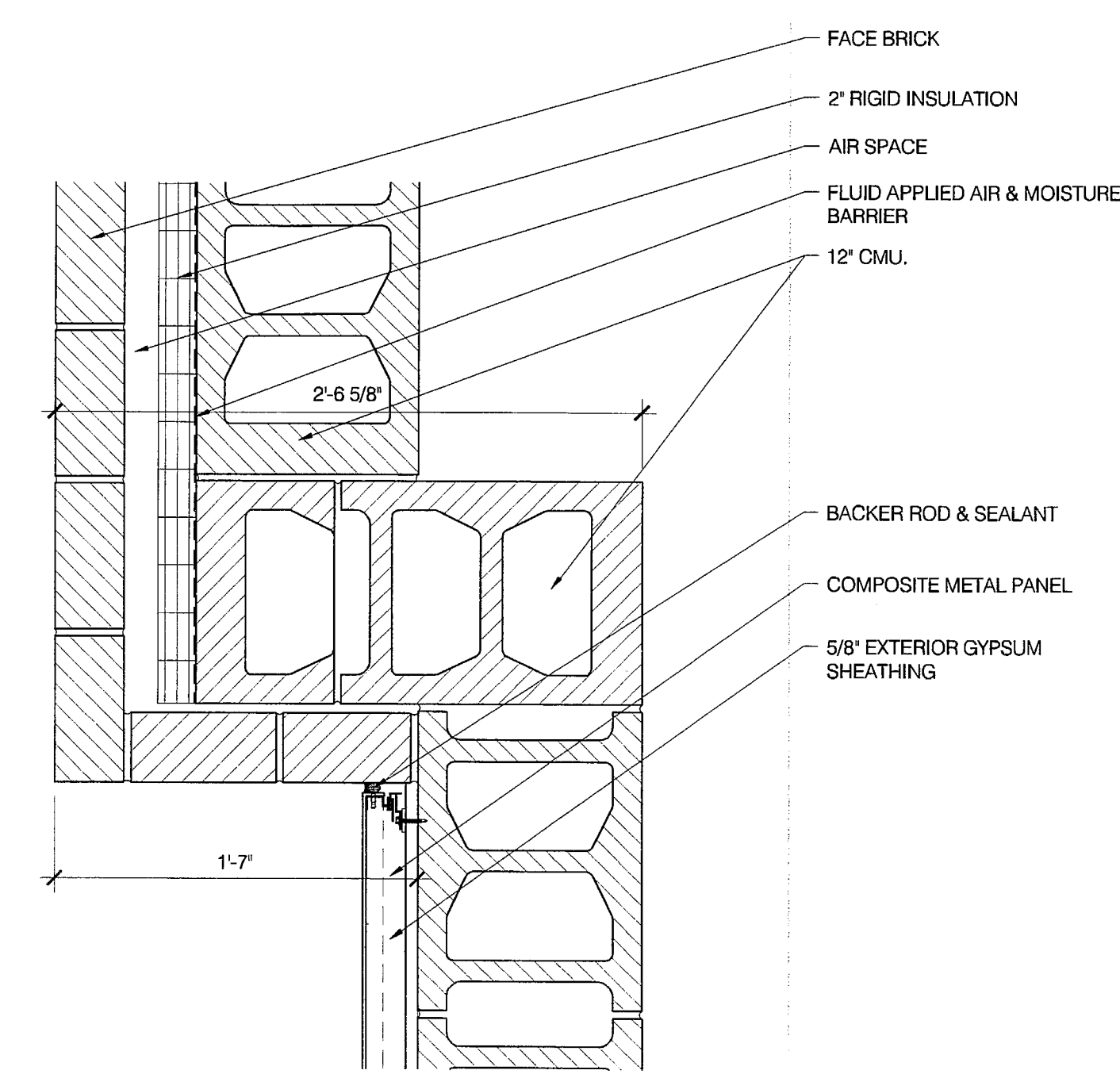
### 12 PLAN DETAIL

A5.03 1-1/2" = 1'-0"



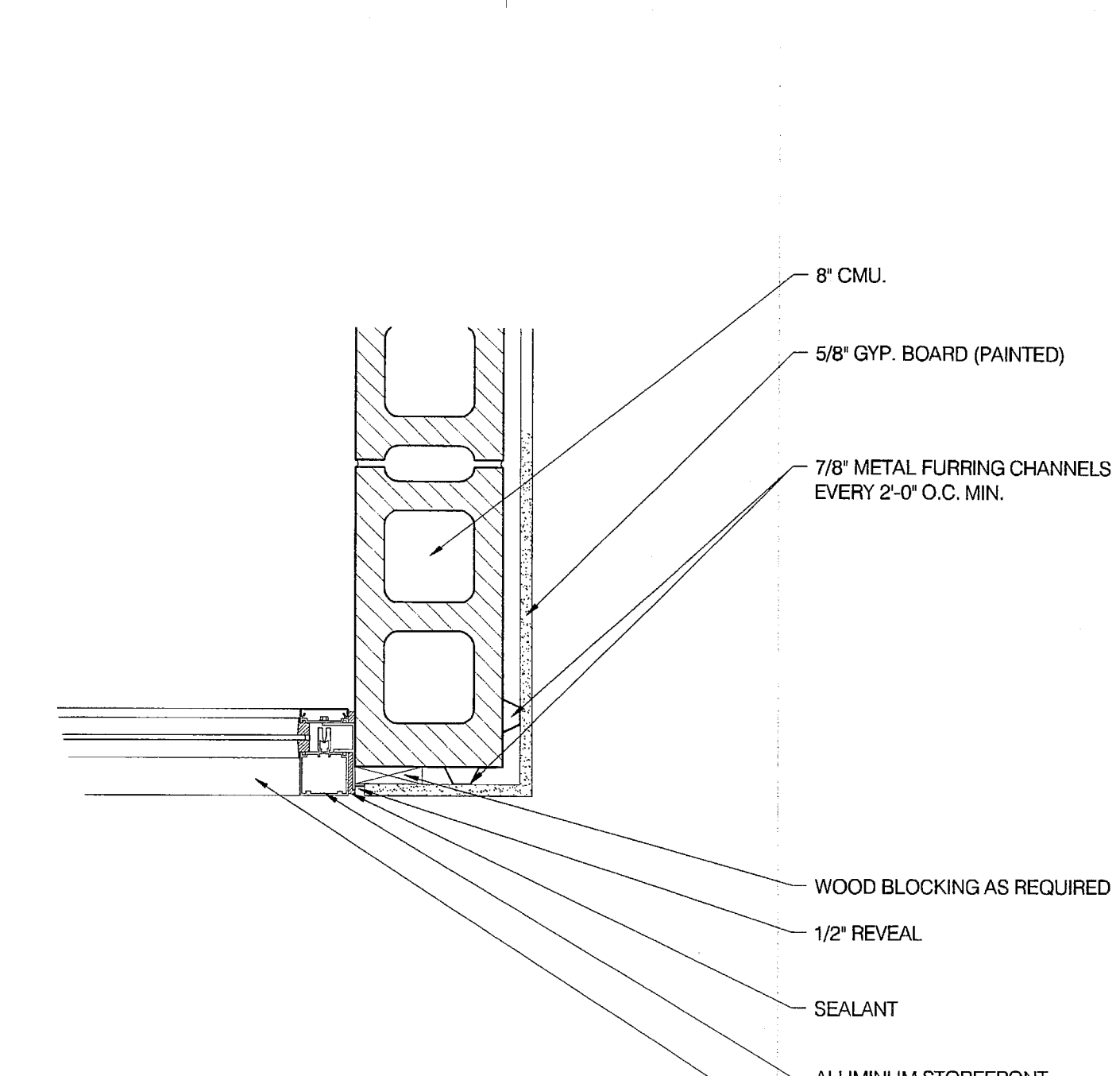
### 09 PLAN DETAIL

A5.03 1-1/2" = 1'-0"



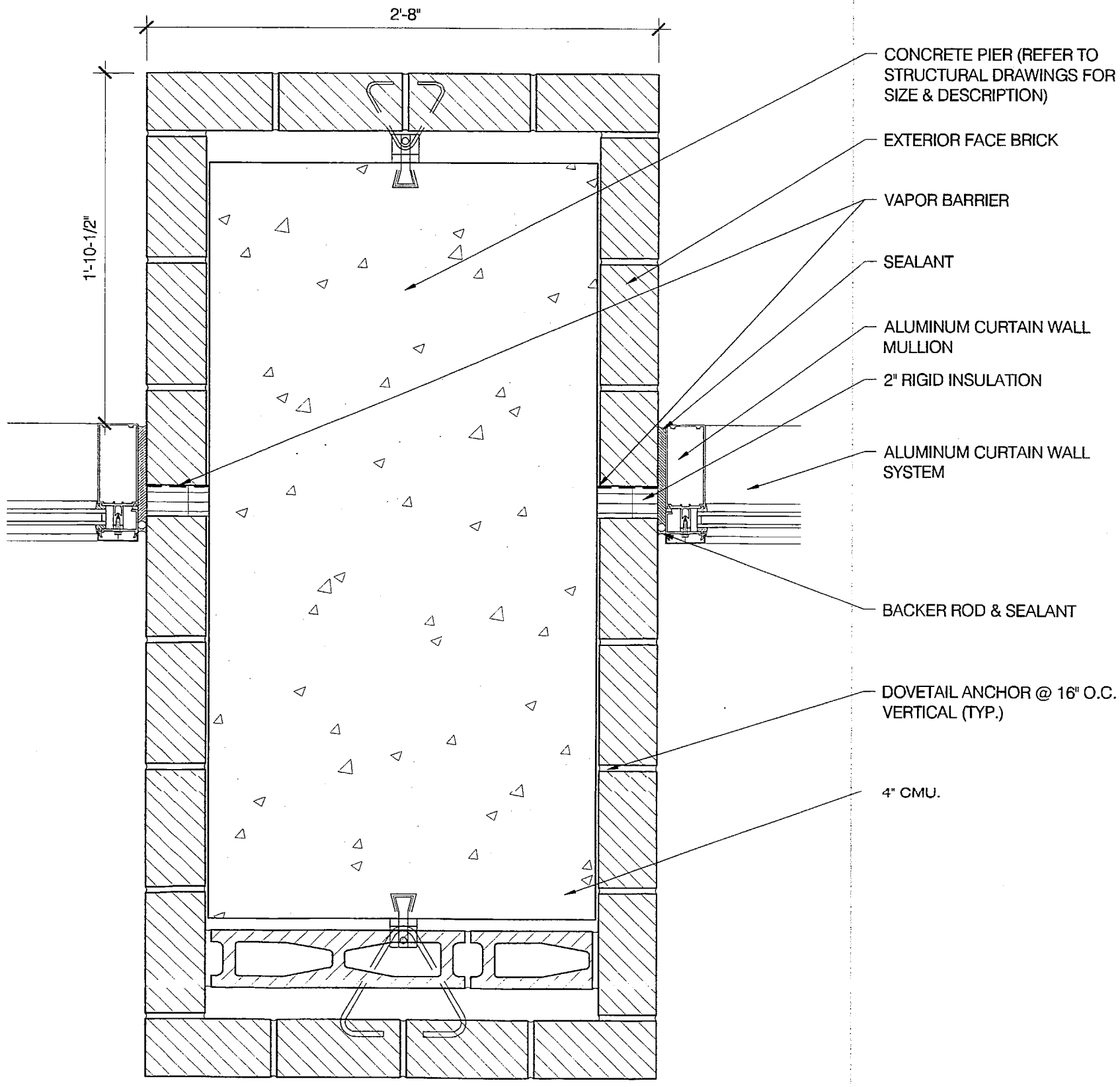
### 06 PLAN DETAIL

A5.03 1-1/2" = 1'-0"



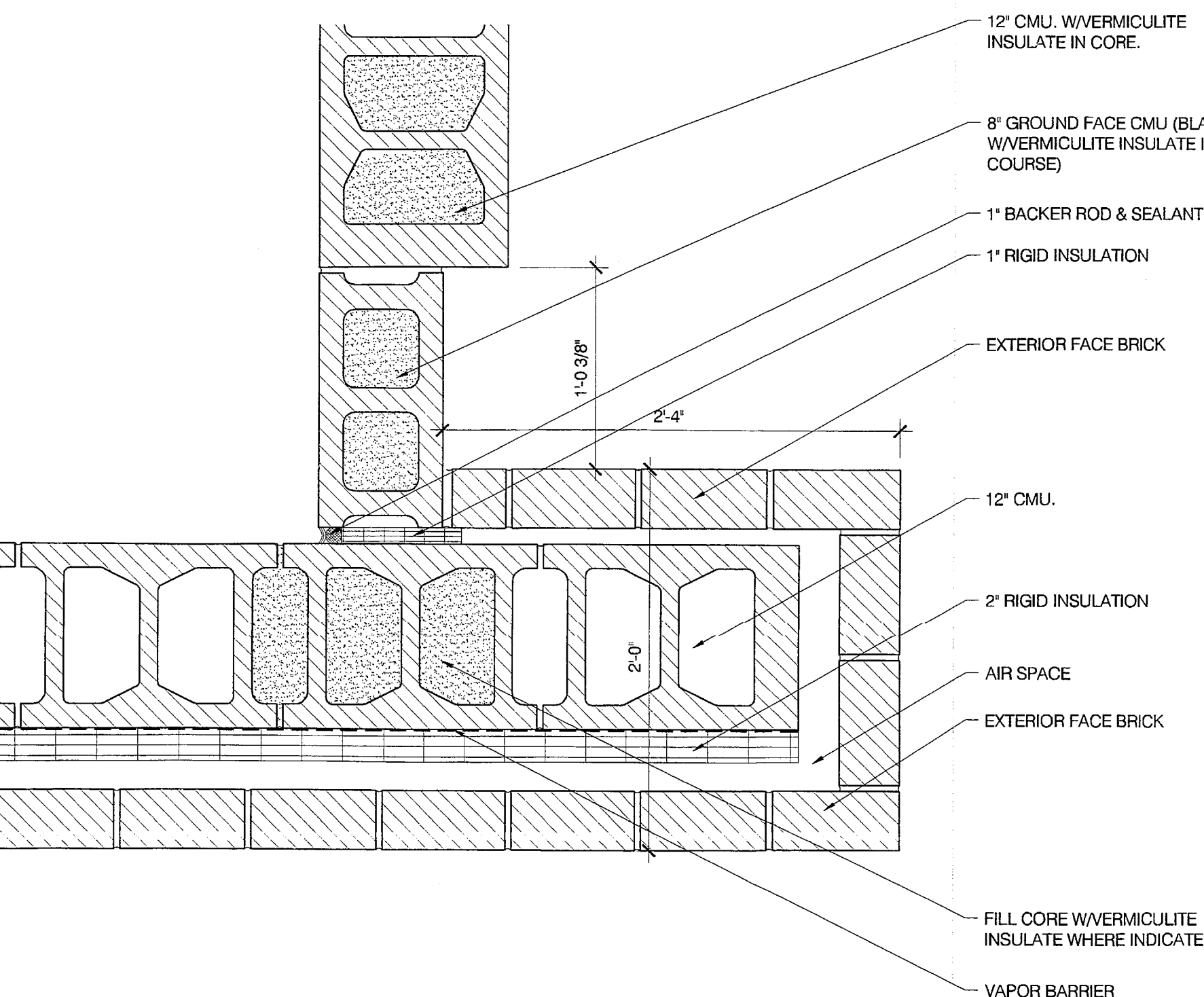
### 03 PLAN DETAIL

A5.03 1-1/2" = 1'-0"



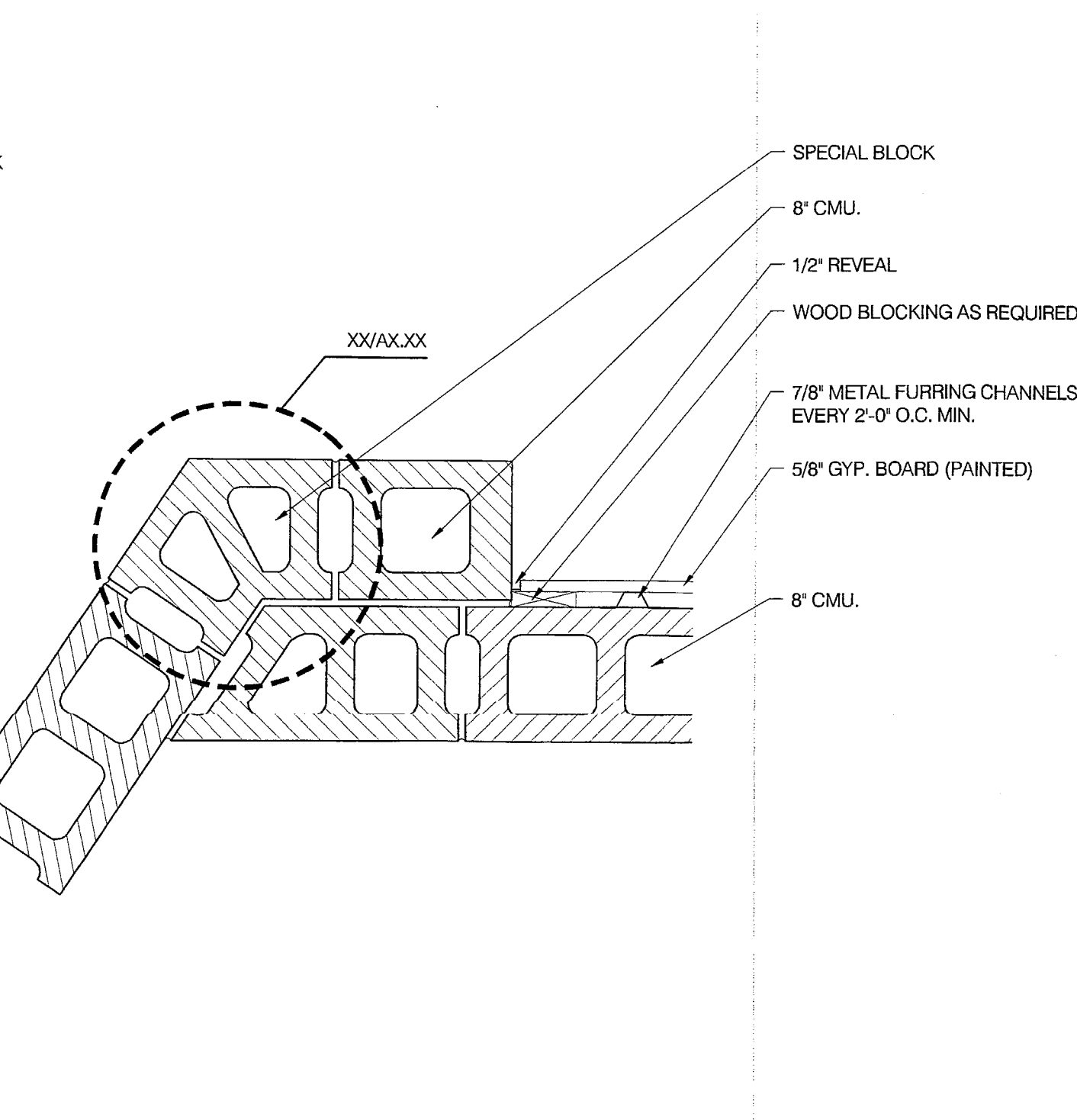
### 11 PLAN DETAIL

A5.03 1-1/2" = 1'-0"



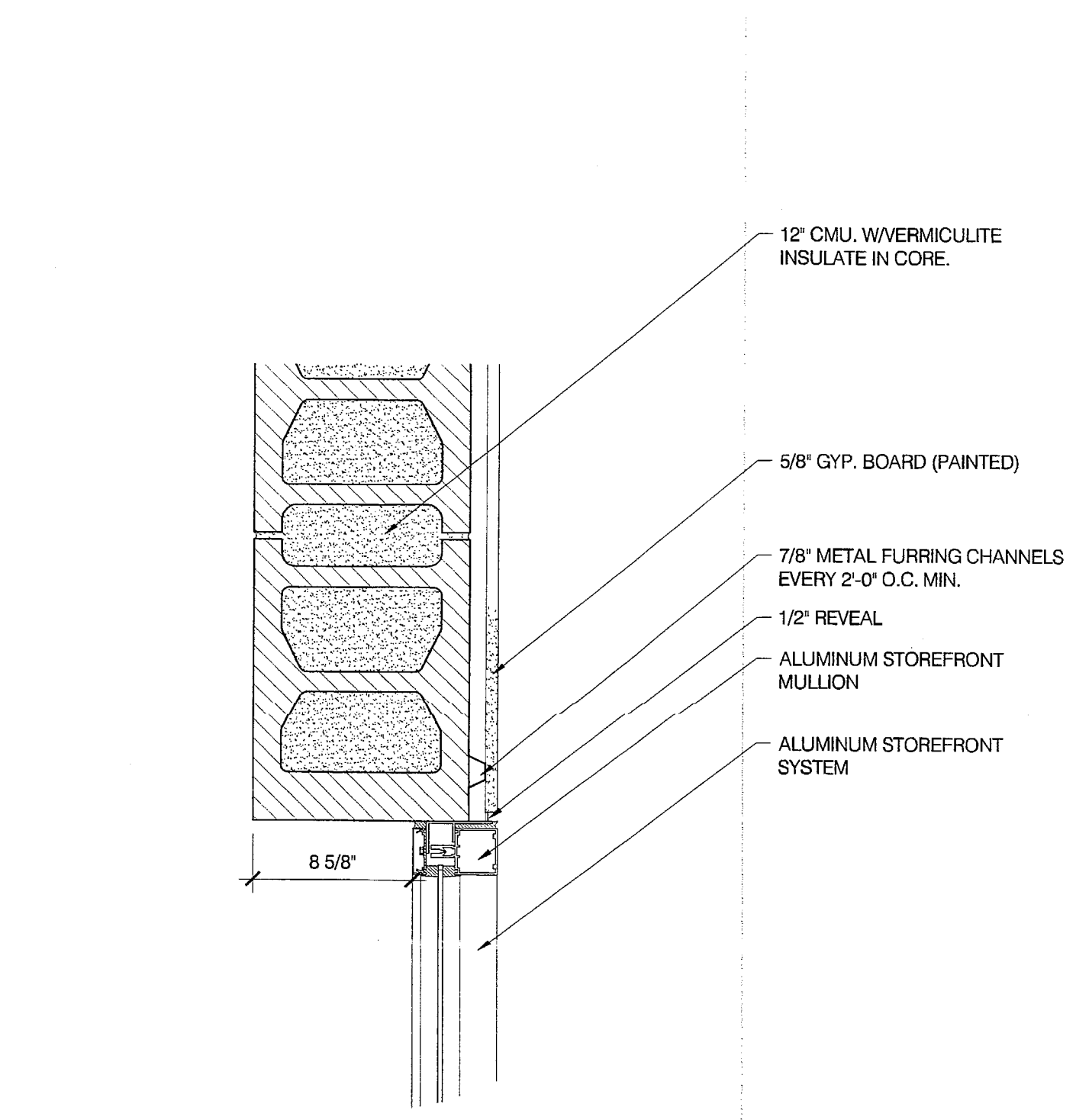
### 08 PLAN DETAIL

A5.03 1-1/2" = 1'-0"



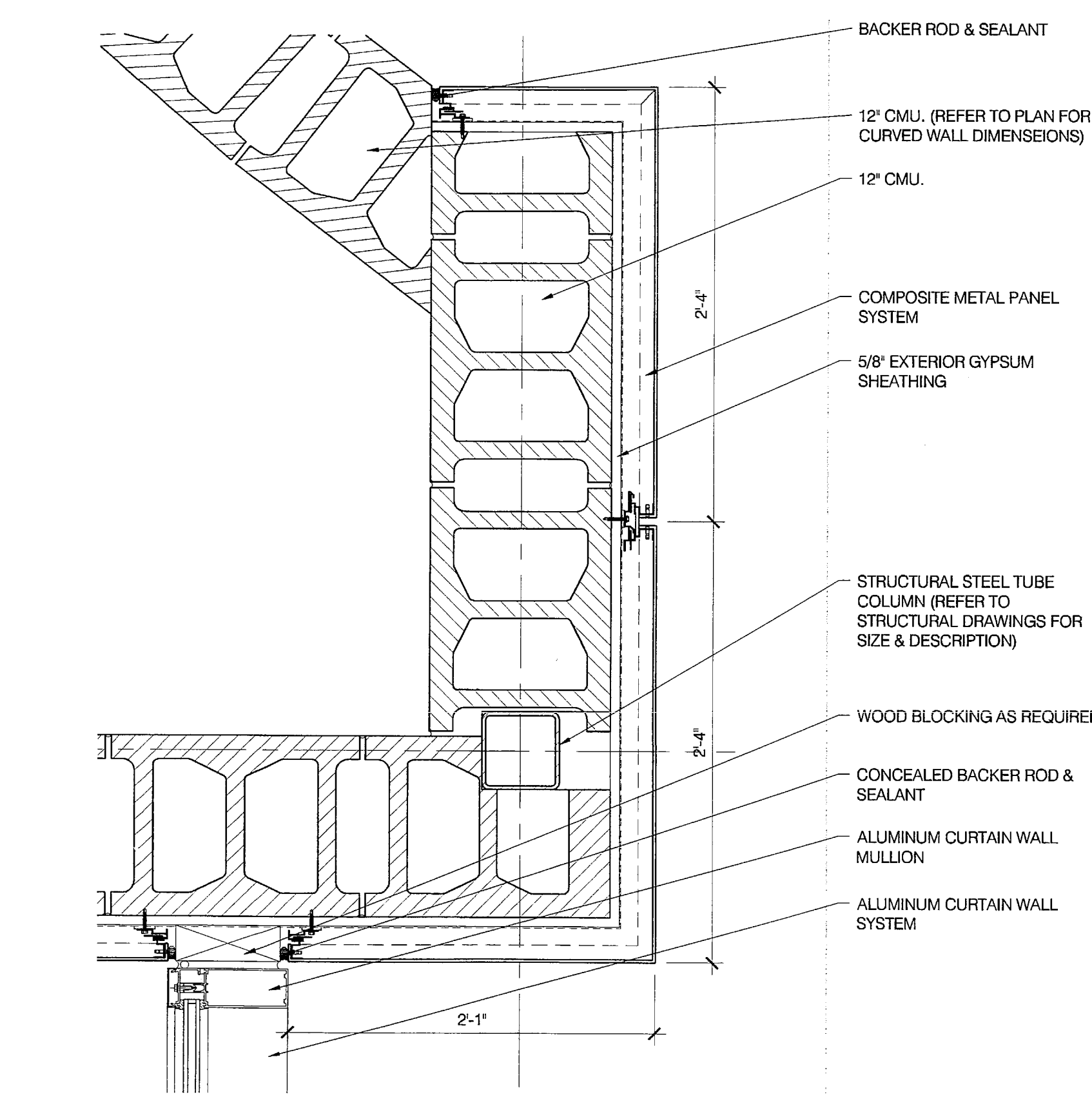
### 05 PLAN DETAIL

A5.03 1-1/2" = 1'-0"



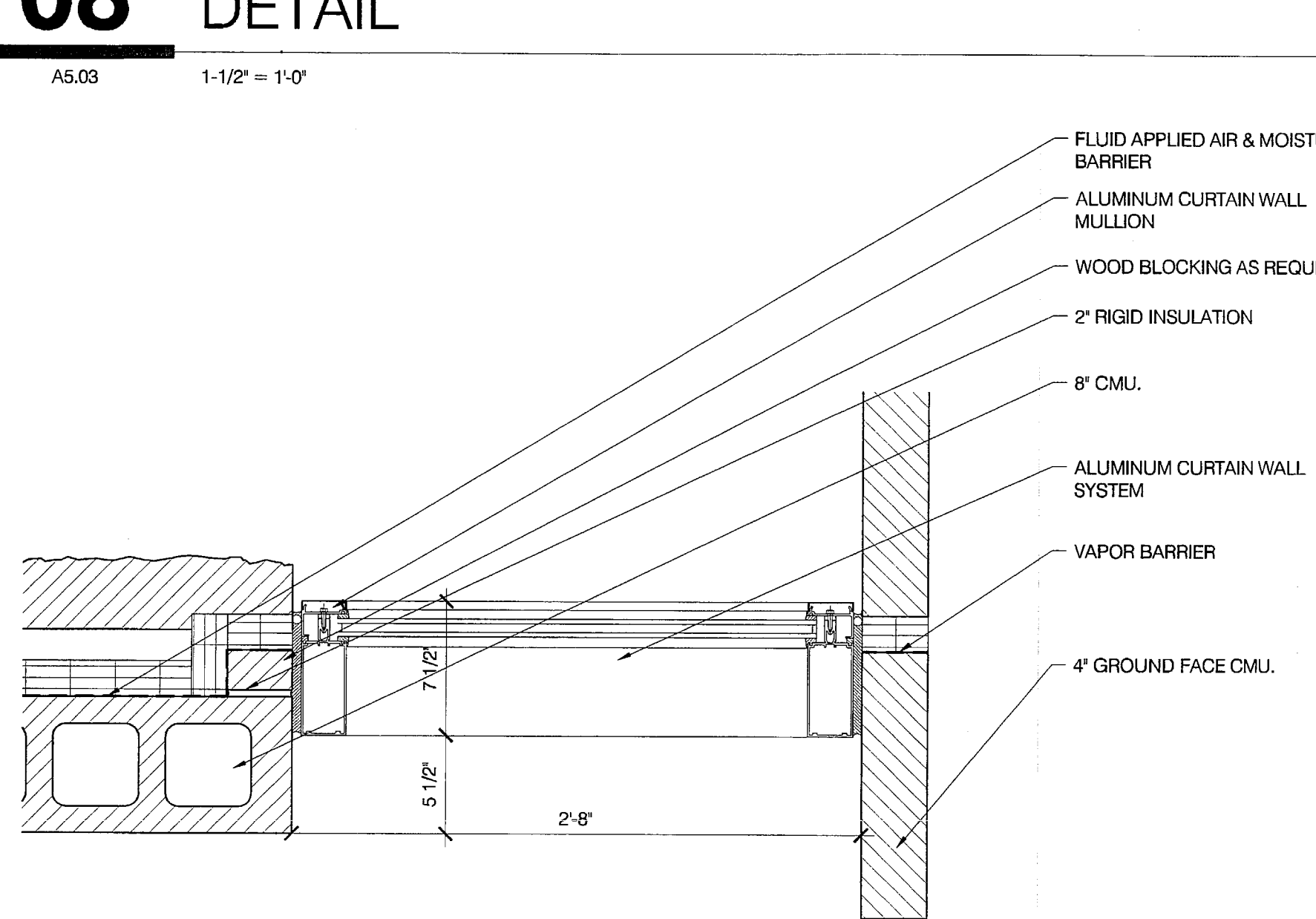
### 02 PLAN DETAIL

A5.03 1-1/2" = 1'-0"



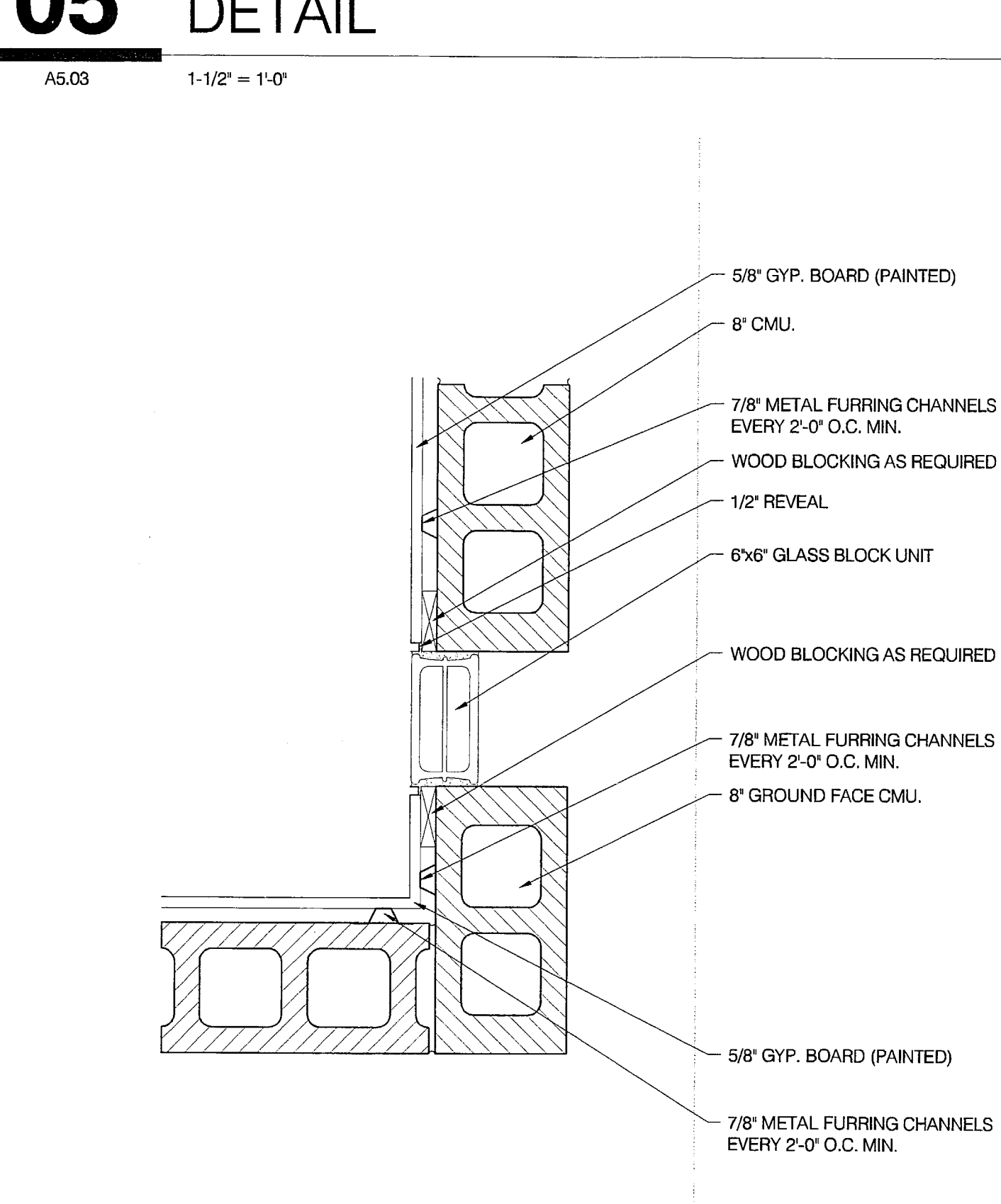
### 10 PLAN DETAIL

A5.03 1-1/2" = 1'-0"



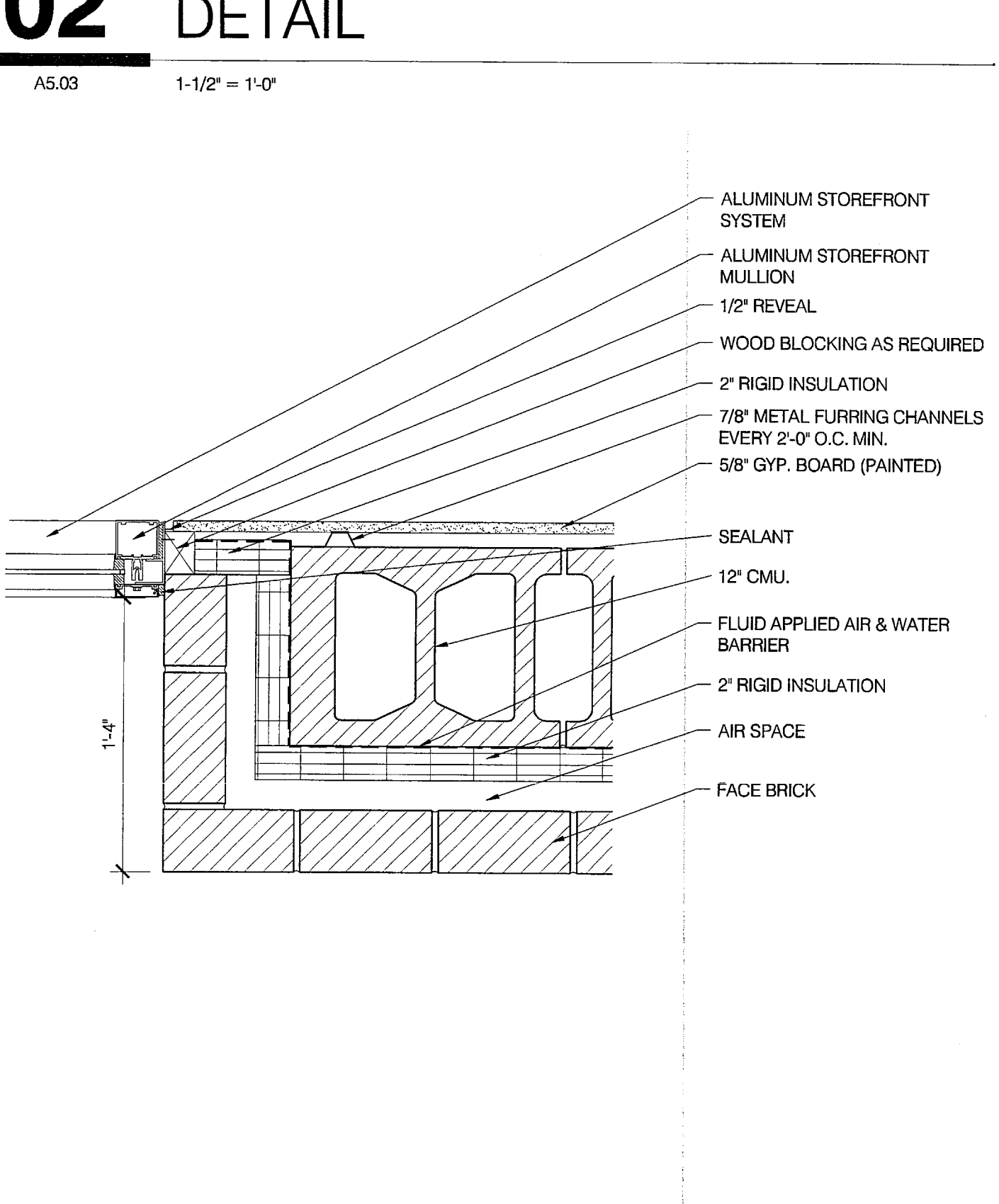
### 07 PLAN DETAIL

A5.03 1-1/2" = 1'-0"



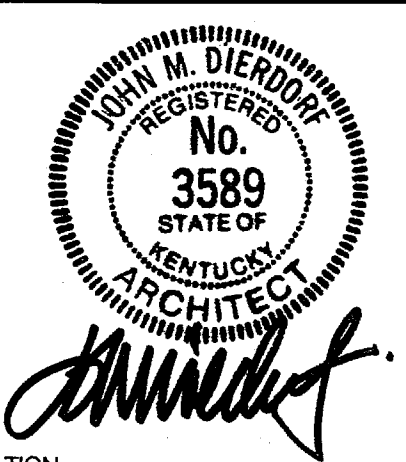
### 04 PLAN DETAIL

A5.03 1-1/2" = 1'-0"



### 01 PLAN DETAIL

A5.03 1-1/2" = 1'-0"



CERTIFICATION

CONSTRUCTION DOCUMENTS

CARDINAL PARK NATATORIUM

UNIVERSITY OF LOUISVILLE

Project: 03006  
Drawn: D. MCCLOSKEY  
Checked: J. LINDSTAEDT  
Issue Date: AUGUST 27, 2003  
Revision:

PLAN DETAILS

## A5.03

1:200903006 - Utd - Natatorium\Draw\CD\03006a503.dwg 5/28/03 3:06PM