

**BROWNING  
DAY MULLINS  
DIERDORF  
ARCHITECTS**

Browning Day Mullins Dierdorf Architects  
Architecture  
Landscape Architecture  
Planning

334 North Senate Avenue  
Indianapolis, Indiana 46204  
P: 317.635.5030  
F: 317.634.5409  
E-Mail: jindstaedt@bdmd.com

Circle Design Group, Inc.  
Mechanical Electrical Plumbing Engineers

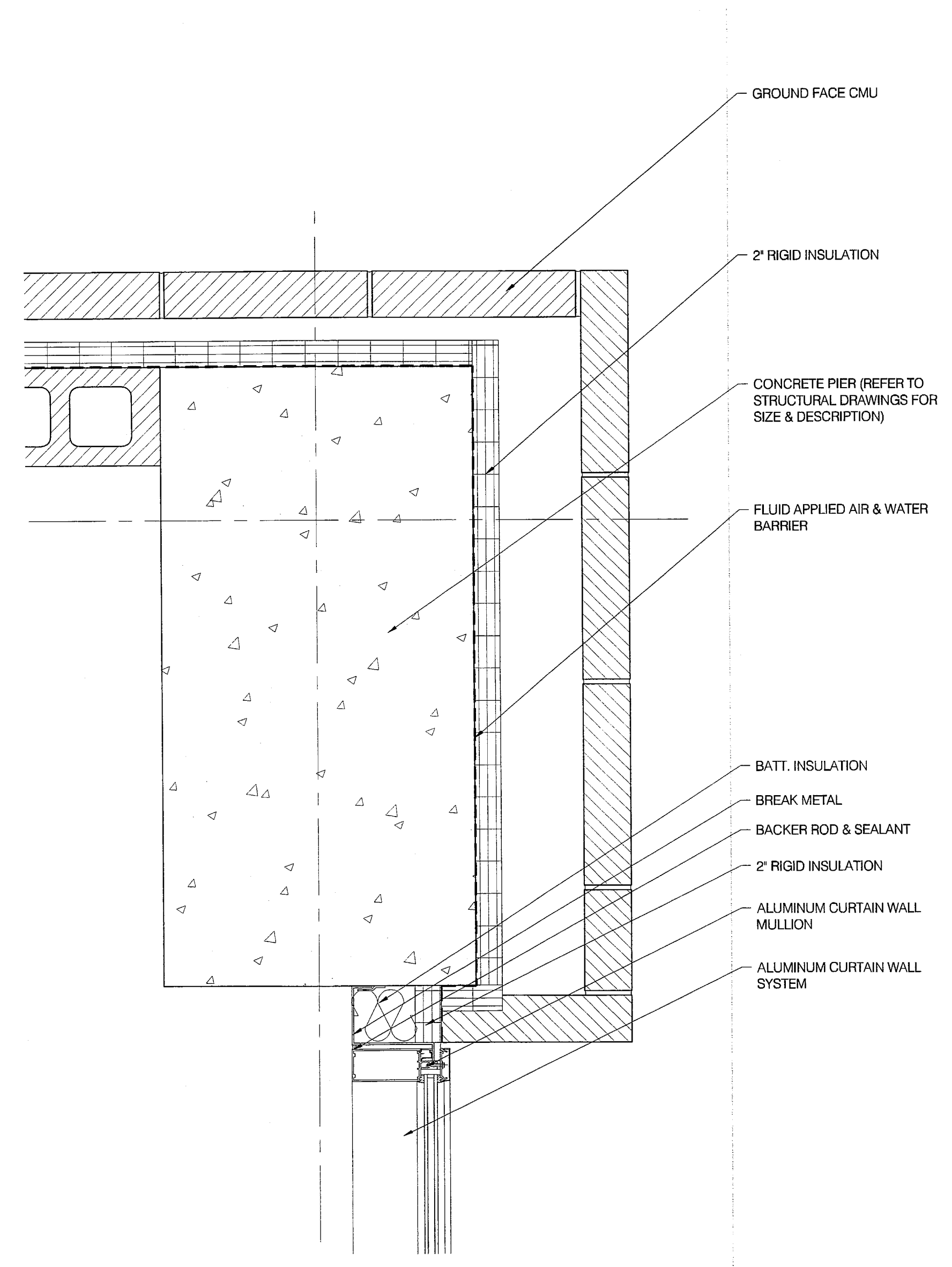
5510 South East Street, Suite F  
Indianapolis, Indiana 46227  
P: 317.781.6200  
F: 317.781.6201  
E-Mail: kerry@circledesigngroup.com

Lawson Elser Engineering Consultants  
Structural Engineers

650 East Carmel Drive, Suite 150  
Carmel, Indiana 46032  
P: 317.574.9409  
F: 317.574.9431  
E-Mail: mlawson@lawsonelser.com

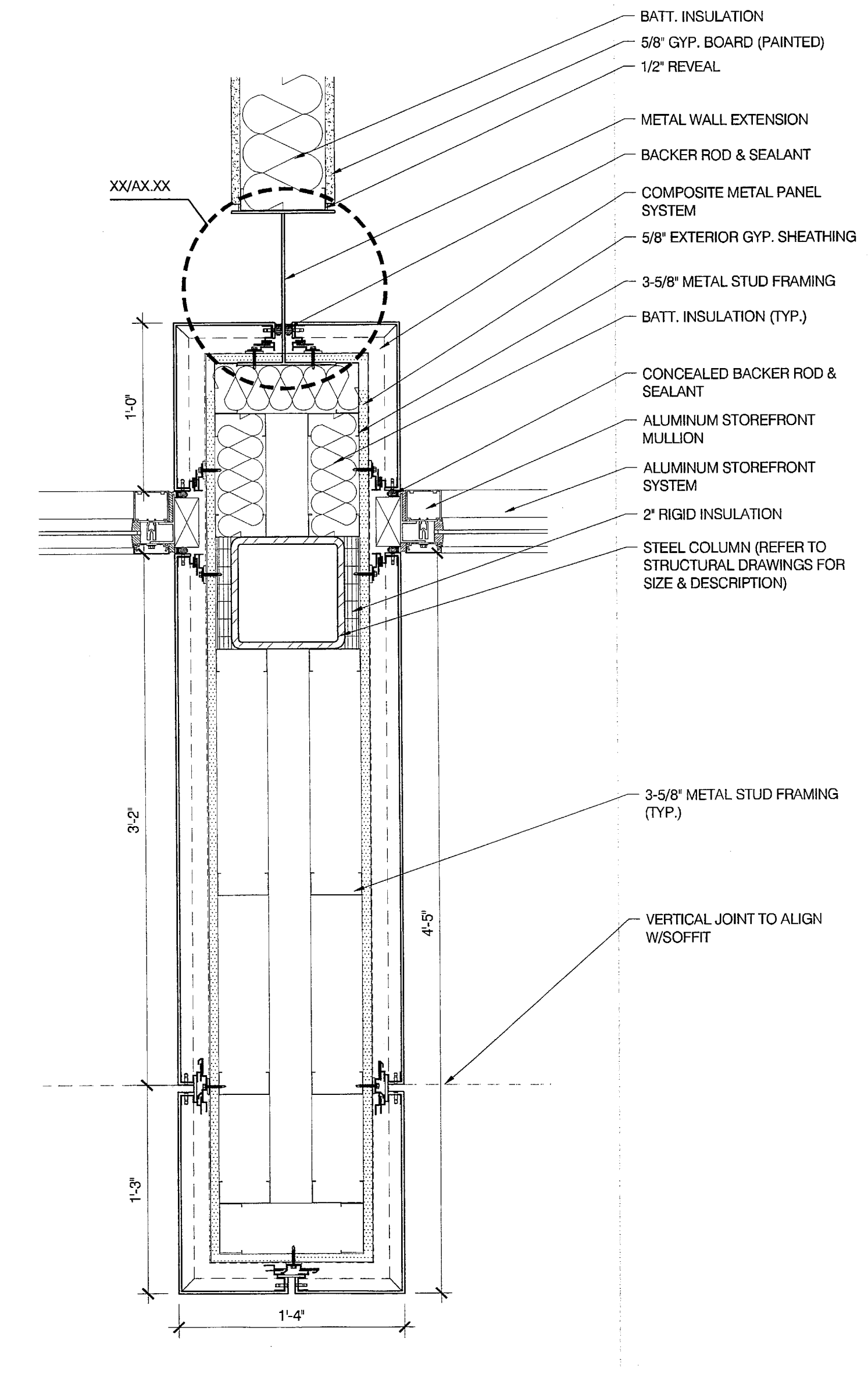
Skees Engineering, Inc.  
Civil Engineers

400 Blankenbaker Parkway, Suite 300  
Louisville, KY 40243  
P: 502.254.2344  
F: 502.254.3008  
E-Mail: dmckinnon@skees.com



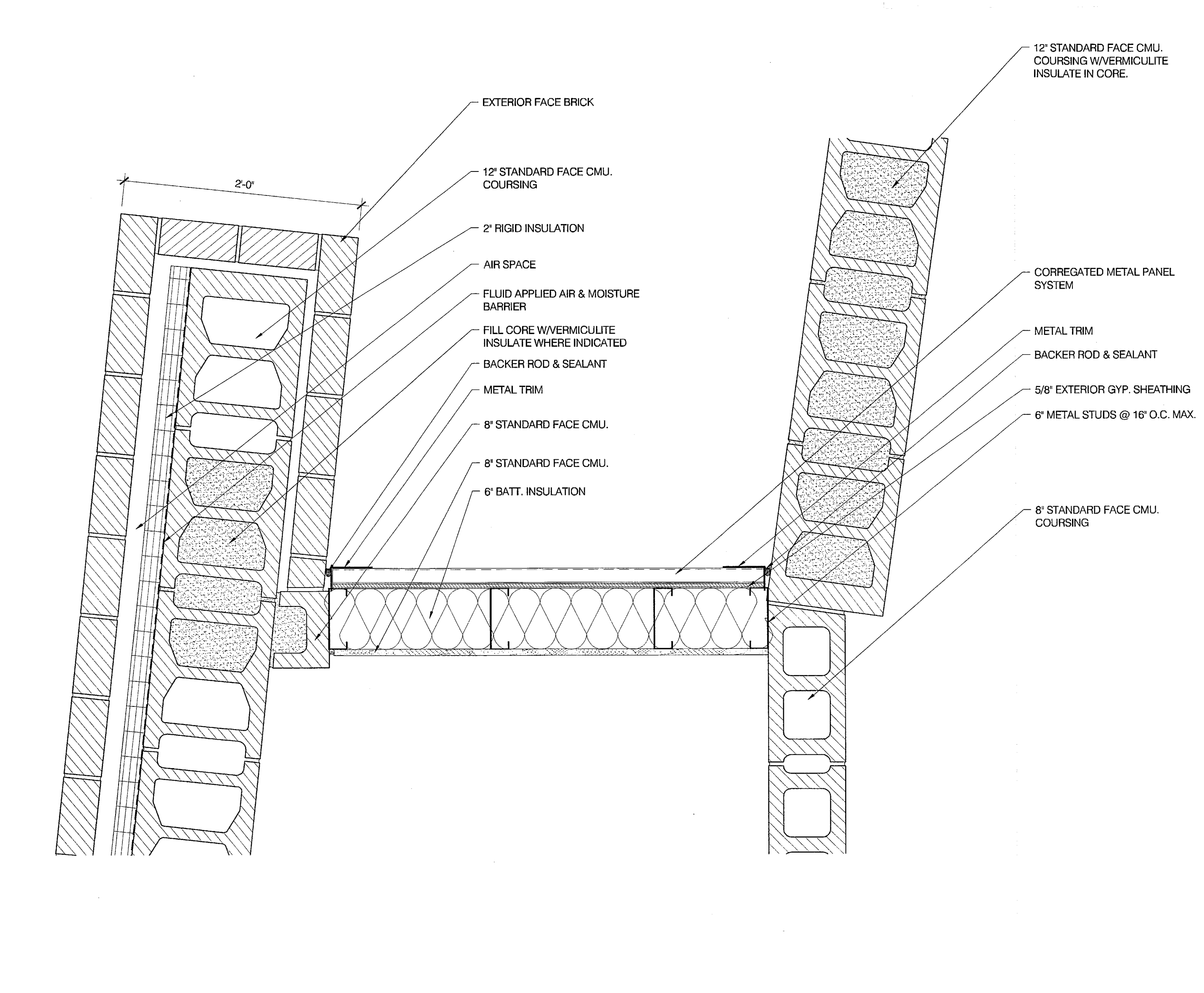
**07** PLAN  
DETAIL

A5.04 1-1/2" = 1'-0"



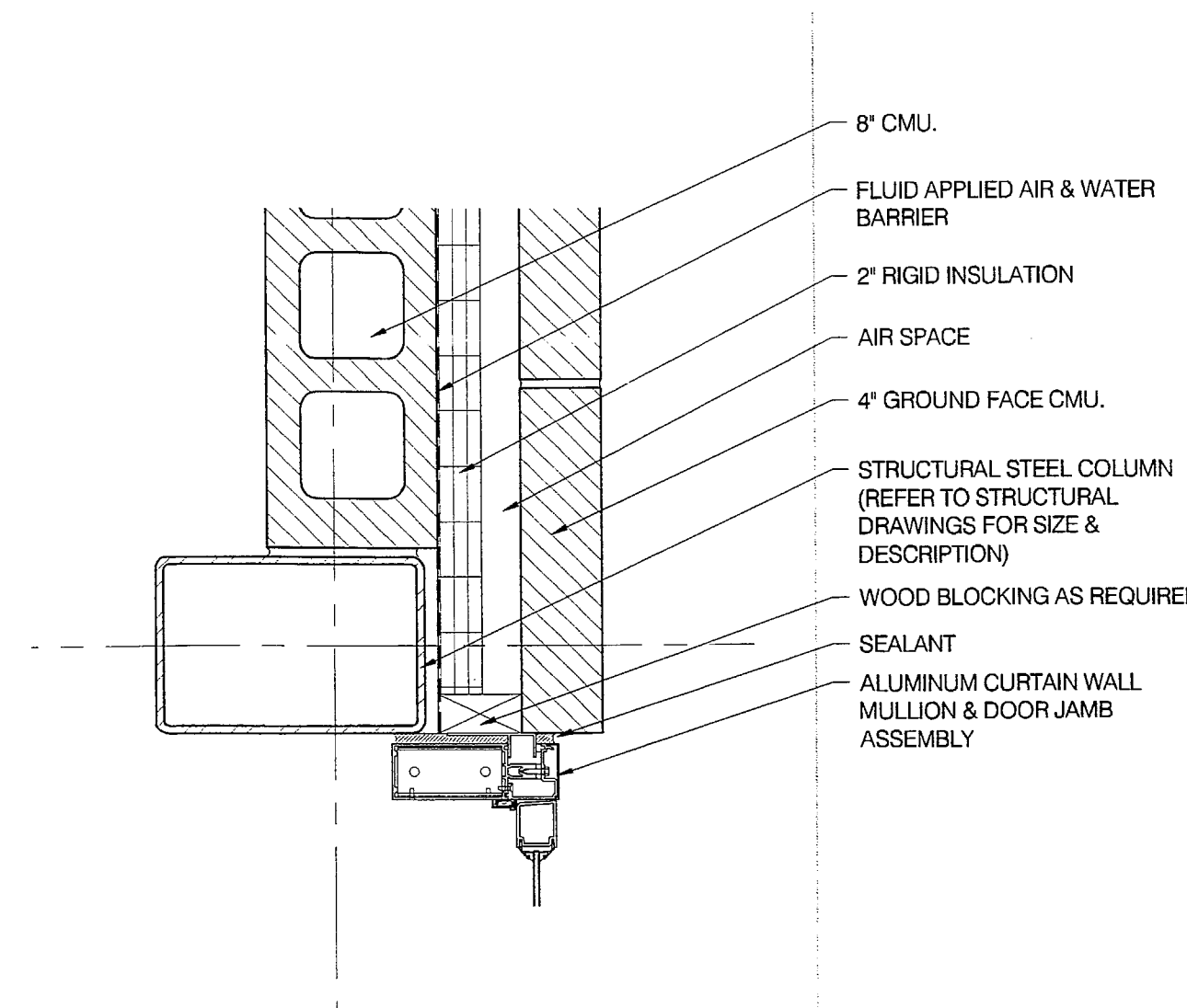
**04** PLAN  
DETAIL

A5.04 1-1/2" = 1'-0"



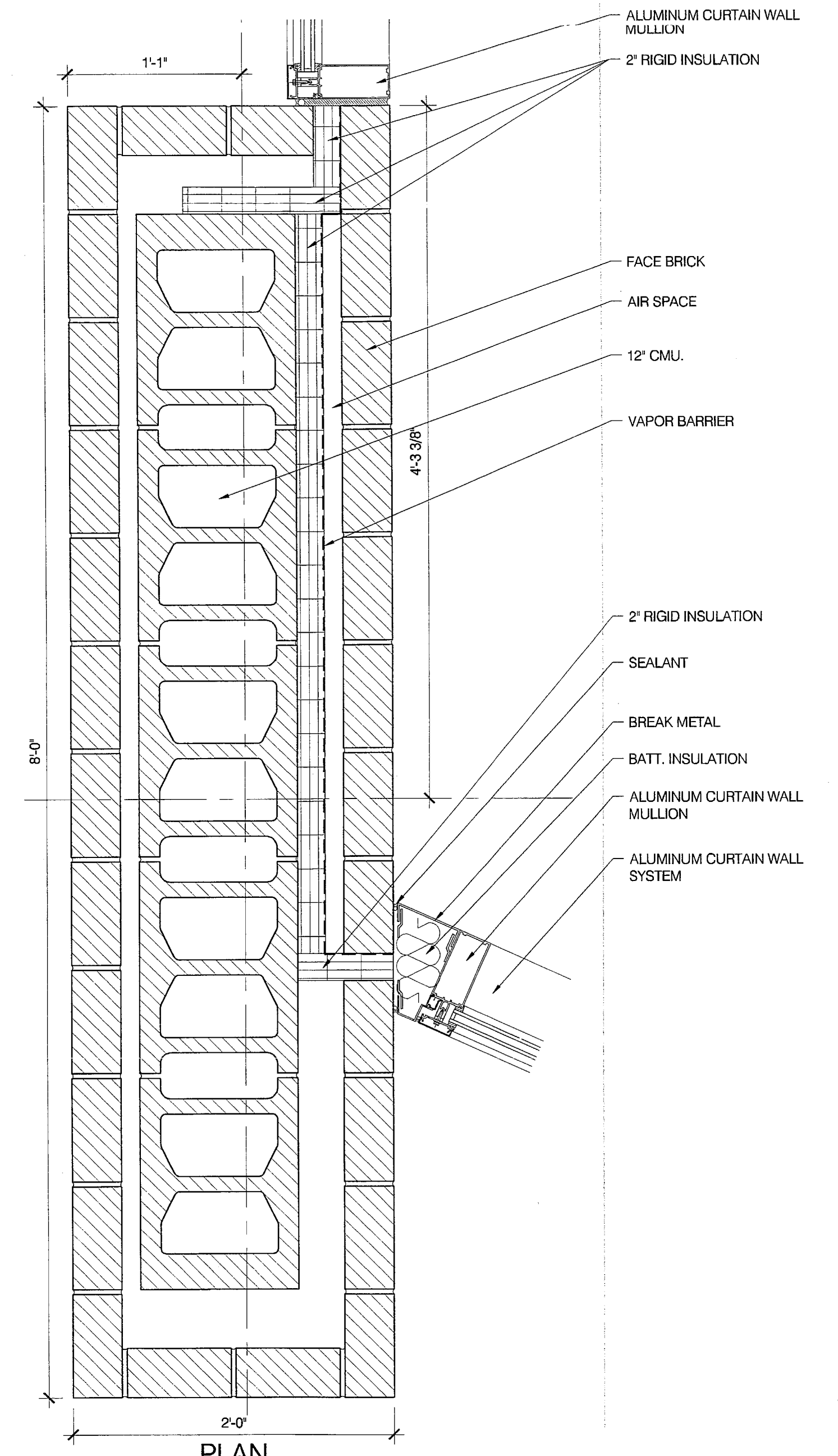
**02** PLAN  
DETAIL

A5.04 1-1/2" = 1'-0"



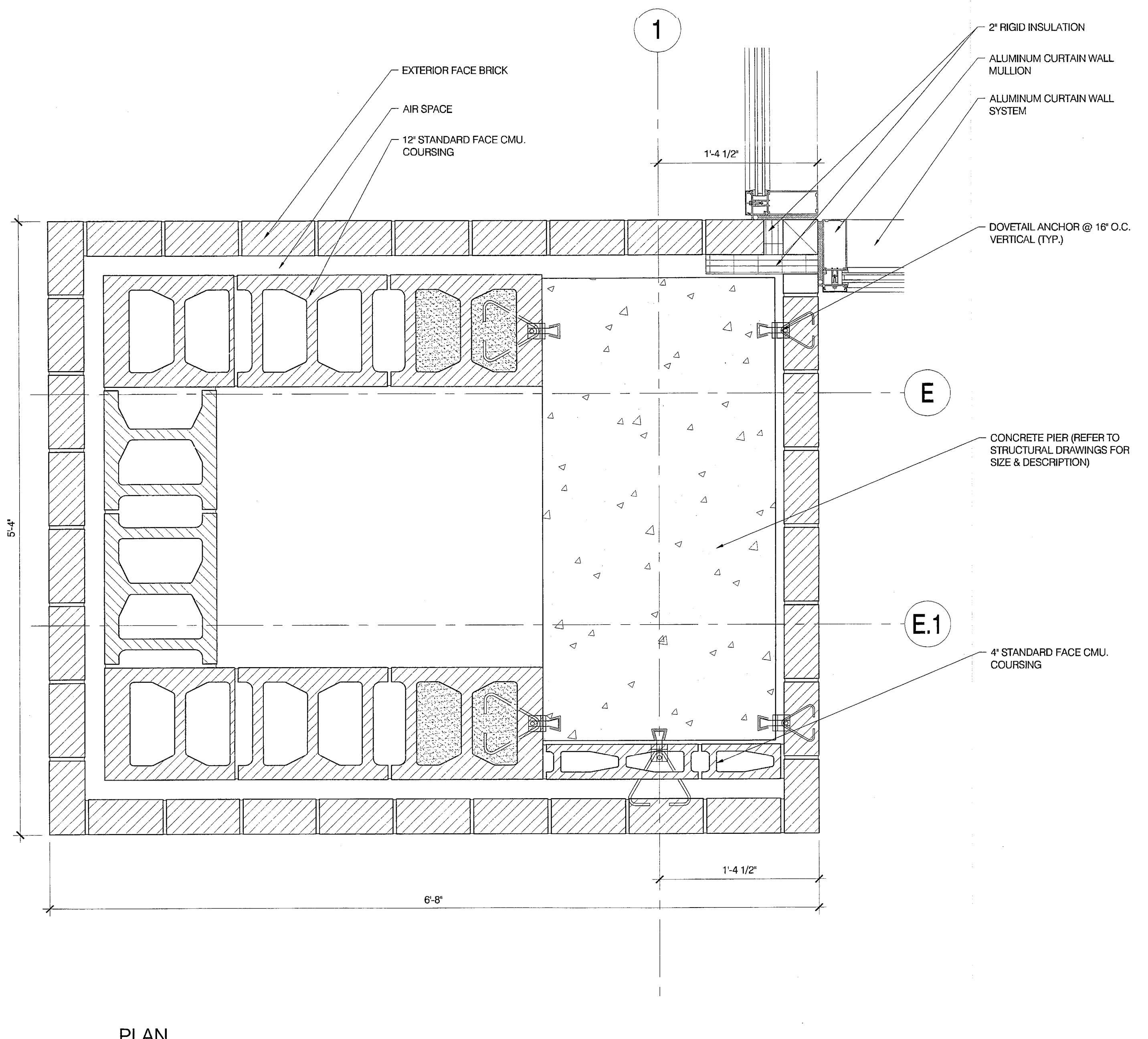
**06** PLAN  
DETAIL

A5.04 1-1/2" = 1'-0"



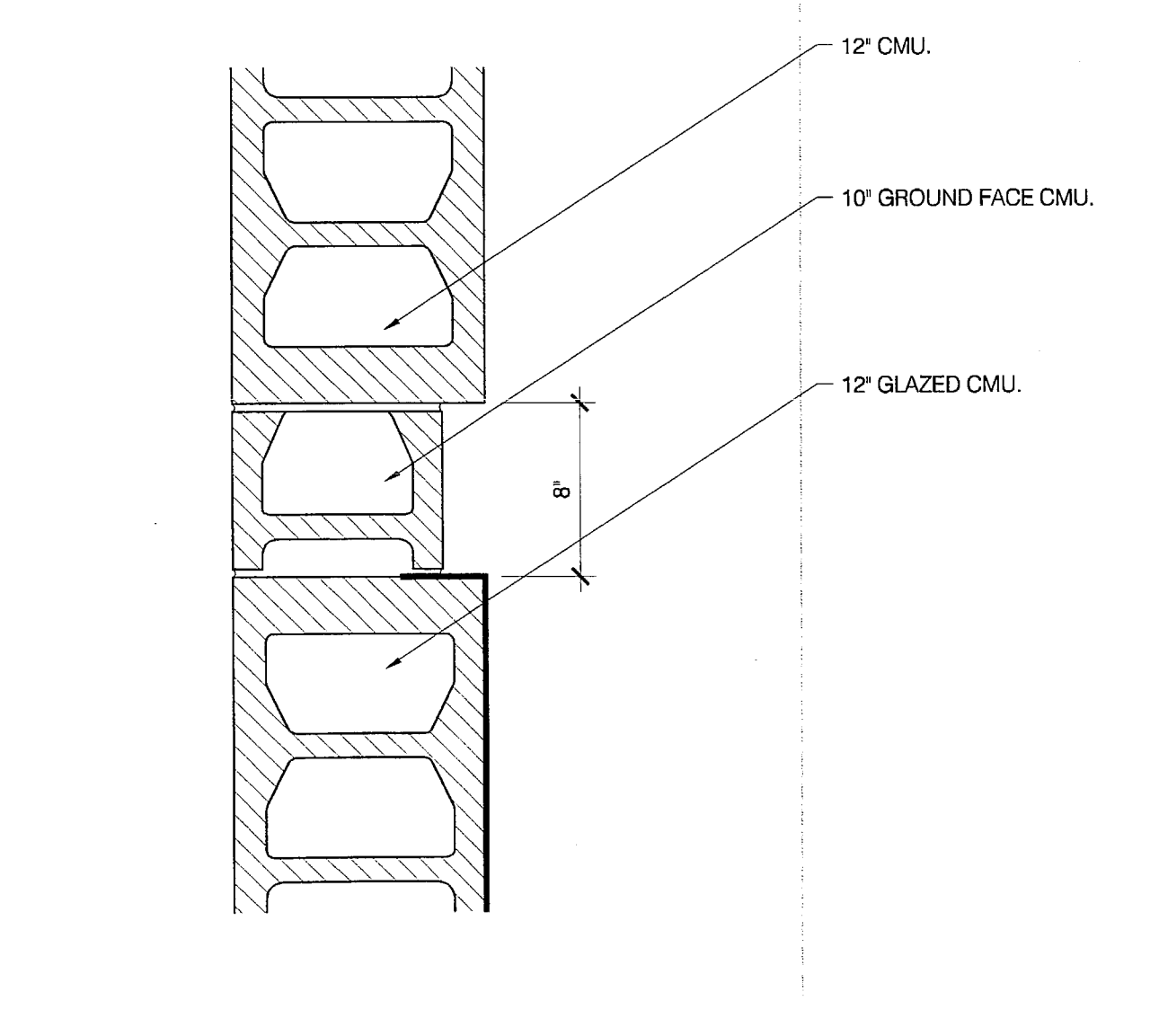
**03** PLAN  
DETAIL

A5.04 1-1/2" = 1'-0"



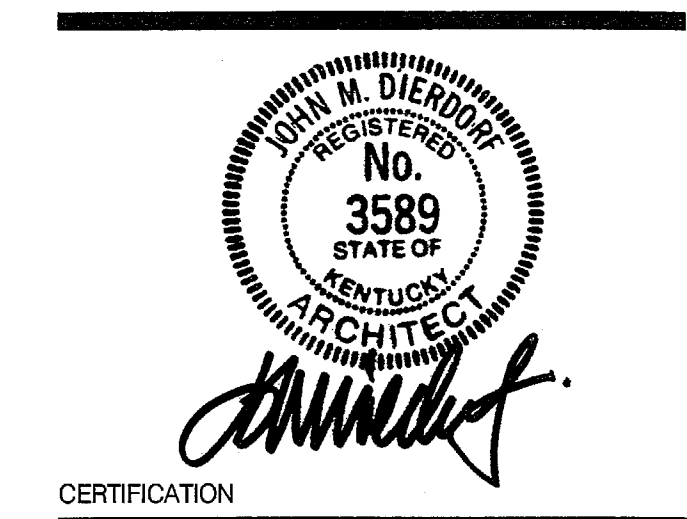
**01** PLAN  
DETAIL

A5.04 1-1/2" = 1'-0"



**05** PLAN  
DETAIL

A5.04 1-1/2" = 1'-0"



CERTIFICATION  
CONSTRUCTION  
DOCUMENTS

CARDINAL PARK  
NATATORIUM

UNIVERSITY OF LOUISVILLE

Project: 03006  
Drawn: D. McCLOSKEY  
Checked: J. LINDSTAEDT  
Scale:  
Issue Date: AUGUST 27, 2003  
Revision:

PLAN DETAILS

**A5.04**