

DOOR SCHEDULE																	
DOOR IDEN	DOOR				FRAME				DETAILS				GLASS	SIGN TYPE	HDWE SET	REMARKS	DOOR IDEN
	WIDTH	HEIGHT	THICK	ELEV	MATL	FIN	ELEV	MATL	FIN	HEAD	JAMB	SILL					
100-A	2'-3"	8'-0"	1-3/4"	4	ALUM	-	E	ALUM	-	-	-	-	T	A	1	ELEC	100-A
100-B	2'-3"	8'-0"	1-3/4"	4	ALUM	-	E	ALUM	-	-	-	-	T	A	2		100-B
100-C	2'-3"	8'-0"	1-3/4"	4	ALUM	-	E	ALUM	-	-	-	-	T	A	3	ELEC	100-C
100-D	2'-3"	8'-0"	1-3/4"	4	ALUM	-	E	ALUM	-	-	-	-	T	A	4		100-D
102-A	3'-0"	7'-0"	1-3/4"	3	HM	PTD	B	HM	PTD	H1	J1	-	-	-	-	-	102-A
102-B	7'-0"	4'-0"	-	-	ALUM	-	-	ALUM	-	-	-	-	-	-	5	COLLING DOOR	102-B
103-A	2'-3"	8'-0"	1/2"	5	GLS	-	-	ALUM	-	-	-	-	-	-	6		103-A
104-A	3'-0"	7'-0"	1-3/4"	3	WD	-	B	HM	PTD	H1	J1	-	-	-	4		104-A
107-A	3'-0"	7'-0"	1-3/4"	3	WD	-	B	HM	PTD	H1	J1	-	-	-	7		107-A
108-A	3'-0"	7'-0"	1-3/4"	3	WD	-	B	HM	PTD	H1	J1	-	-	-	7		108-A
109-A	3'-0"	7'-0"	1-3/4"	3	WD	-	H	HM	PTD	H1	J1	-	-	-	4		109-A
110-A	3'-0"	7'-0"	1-3/4"	3	WD	-	I	HM	PTD	H2	J2	-	-	-	8		110-A
111-A	3'-0"	7'-0"	1-3/4"	3	HM	-	J (OH)	HM	PTD	H3	J3H3	-	-	-	4		111-A
112-A	3'-0"	7'-0"	1-3/4"	3	HM	-	J	HM	PTD	H3	J3H3	-	-	-	4		112-A
113-A	3'-0"	7'-0"	1-3/4"	3	WD	-	F	HM	PTD	H2	J1	-	-	-	9		113-A
113E-A	3'-0"	7'-0"	1-3/4"	3	WD	-	F	HM	PTD	H4	J1/4	-	-	-	10		113E-A
113F-A	3'-0"	7'-0"	1-3/4"	3	WD	-	F	HM	PTD	H2	J1	-	-	-	10		113F-A
114-A	3'-0"	7'-0"	1-3/4"	4	ALUM	-	K	ALUM	-	H5	J5	-	-	-	11	ELEC	114-A
115A-A	3'-0"	7'-0"	1-3/4"	3	WD	-	F	HM	PTD	H2	J1	-	-	-	9		115A-A
115E-A	3'-0"	7'-0"	1-3/4"	3	WD	-	F	HM	PTD	H4	J1	-	-	-	10		115E-A
115F-A	3'-0"	7'-0"	1-3/4"	4	HM	-	B	HM	PTD	H2	J1	-	-	-	25		115F-A
116-A	3'-0"	8'-0"	1-3/4"	4	ALUM	-	D	ALUM	-	-	-	-	T	D	12	ELEC	116-A
116B-B	3'-0"	8'-0"	1-3/4"	4	ALUM	-	D	ALUM	-	-	-	-	-	-	13	ELEC	116B-B
117-A	3'-0"	8'-0"	1-3/4"	4	ALUM	-	D	ALUM	-	-	-	-	-	-	14	ELEC	117-A
117-B	2'-3"	8'-0"	1-3/4"	4	ALUM	-	E	ALUM	-	-	-	-	-	-	15	ELEC	117-B
117-C	2'-3"	8'-0"	1-3/4"	4	ALUM	-	E	ALUM	-	-	-	-	T	D	16	ELEC	117-C
117-D	2'-3"	8'-0"	1-3/4"	4	ALUM	-	E	ALUM	-	-	-	-	-	-	16	ELEC	117-D
118A-A	2'-3"	7'-10"	1-3/4"	1	SS	-	E	SS	-	H1	J1	-	-	-	17		118A-A
118B-A	3'-0"	7'-0"	1-3/4"	2	SS	PTD	B	SS	PTD	H1	J1	-	-	-	18		118B-A
119-A	3'-0"	7'-0"	1-3/4"	2	SS	PTD	B	SS	PTD	H1	J1	-	-	-	18		119-A
120A-A	4'-0"	7'-0"	1-3/4"	2	SS	PTD	B	SS	PTD	H1	J1/3	-	-	-	19		120A-A
120B-A	3'-0"	7'-0"	1-3/4"	2	HM	PTD	B	HM	PTD	H1	J1/3	-	-	-	4		120B-A
121-A	2'-3"	7'-10"	1-3/4"	1	SS	-	E	SS	-	H1	J1/3	-	-	-	20		121-A
121-B	3'-0"	7'-0"	1-3/4"	2	HM	PTD	B	HM	PTD	H1	J1/10	-	-	-	21	ELEC	121-B
121-C	8'-0"	8'-0"	-	-	SS	-	-	SS	-	-	-	-	-	-	5	O.H., MOTORIZED	121-C
122-A	2'-4"	7'-10"	1-3/4"	1	SS	-	G	SS	-	H1	J7/5	-	-	-	22		122-A
123-A	3'-0"	7'-0"	1-3/4"	2	SS	-	B	SS	-	H1	J1	-	-	-	23		123-A
124-A	3'-0"	7'-0"	1-3/4"	2	SS	-	B	ALUM	-	H4	J1	-	-	-	24		124-A
200-A	4'-0"	7'-10"	1-3/4"	6	SS	-	L	SS	-	H1	J1	-	-	-	19		200-A

REFER TO SHEET A6.04 FOR HEAD, JAMB AND SILL DETAILS

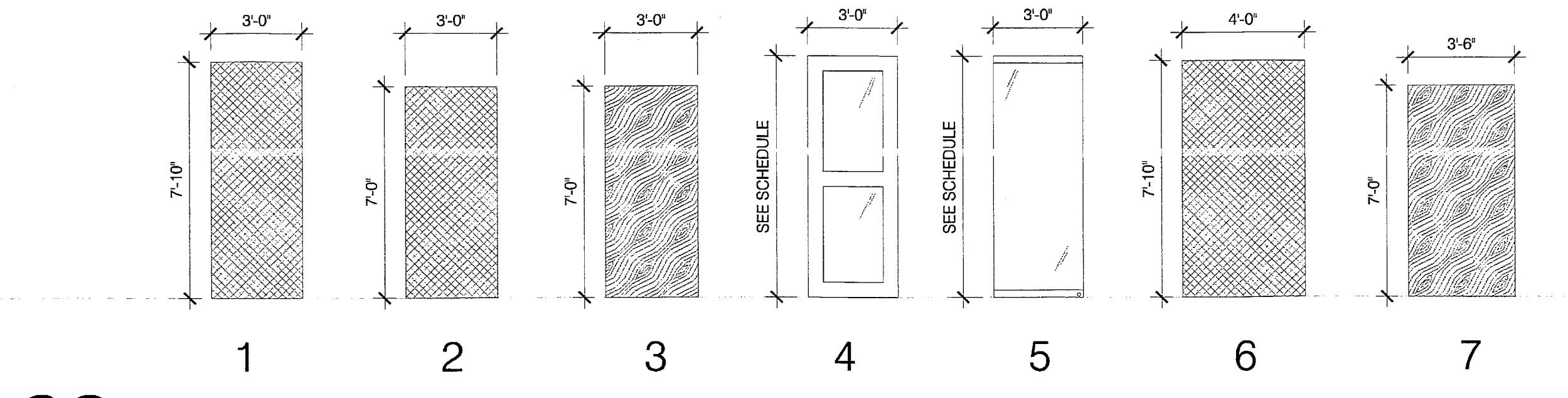
ROOM NUMBER	NAME	FINISHES										REMARKS
		FLOOR	BASE	WALL FINISHES				CEILING				
		MATERIAL	MATERIAL	NORTH	WEST	SOUTH	EAST					
100	VESTIBULE	STSC	---	BR	GLS	GLS	GLS	GB-PT				
101	LOBBY	STSC	---	GFCMU	GFCMU/GLS	GLS/BR	GLS	ES-PT/GB-PT				
102	CONCESSIONS	SC	---	GFCMU/PT	GFCMU/PT	GFCMU/PT	GFCMU/PT	ACT2			BULKHEAD ABOVE WALL CABINETS- GB-PT	
103	MEETING/HOSPITALITY	CPT	VB	GB-PT	GB-PT	GB-PT	GB-PT	ACT1/GB				
104	STORAGE	SC	---	CMU	CMU	CMU	CMU	ES-PT				
105	POOL CONTROL	STSC	---	---	GFCMU	GFCMU	---	ACT1				
106	HALLWAY	STSC	---	GFCMU	GFCMU	GFCMU	---	GB-PT				
107	WOMEN'S PUBLIC RESTROOM	STSC	---	GFCMU	GFCMU	GFCMU	GCMU	GB-PT			GCMU ON EAST PLUMBING WALL @ TOILET STALLS ONLY	
108	MEN'S PUBLIC RESTROOM	STSC	---	GFCMU	GCMU	GFCMU	GFCMU	GB-PT			GCMU ON WEST PLUMBING WALL @ TOILET STALLS ONLY	
109	LAUNDRY ROOM	SC	---	CMU	CMU	CMU	CMU	ACT1				
110	OPEN OFFICE	CPT	VB	GB-PT	GB-PT	GB-PT	GB-PT	GB-PT/ACT1				
111	COACH'S OFFICE	CPT	VB	GB-PT	GB-PT	GB-PT	GB-PT	ACT1				
112	COACH'S OFFICE	CPT	VB	GB-PT	GB-PT	GB-PT	GB-PT	ACT1				
113A	MEN'S PUBLIC LOCKER ENTRY	CPT	---	GFCMU	GFCMU	GFCMU	GFCMU	GB-PT			SOUTH WALL TO HAVE 7/8" FURRING, 5/8" GYP. PTD. & WHITEBOARD	
113B	MEN'S PUBLIC LOCKER	CPT	---	GFCMU	GFCMU	GFCMU	GFCMU	ACT2			BULKHEADS PAINTED ABOVE LOCKERS. GFCMU WHERE EXPOSED ONLY	
113C	MEN'S SHOWERS	CMT	CC	GCMU	GCMU	GCMU	GCMU	GB-EC				
113D	MEN'S TOILETS	CMT	CC	GFCMU	GFCMU	GFCMU	GFCMU	GB-EC				
113E	MEN'S TEAM LOCKERS	CPT	---	GFCMU	GFCMU	GFCMU	GFCMU	ACT2			BULKHEADS PAINTED ABOVE LOCKERS. GFCMU WHERE EXPOSED ONLY	
113F	MEN'S TEAM LOCKER ENTRY	CPT	---	GFCMU	GFCMU	GFCMU	GFCMU	GB-PT			NORTH WALL TO HAVE 7/8" FURRING, 5/8" GYP. PTD. & WHITEBOARD	
114	HALLWAY	STSC	---	GLS	GFCMU	GFCMU	GFCMU	GB-PT/ACT1				
115A	WOMEN'S PUBLIC LOCKER ENTRY	CPT	---	GFCMU	GFCMU	GFCMU	GFCMU	GB-PT			SOUTH WALL TO HAVE 7/8" FURRING, 5/8" GYP. PTD. & WHITEBOARD	
115B	WOMEN'S PUBLIC LOCKER	CPT	---	GFCMU	GFCMU	GFCMU	GFCMU	ACT2			BULKHEADS PAINTED ABOVE LOCKERS. GFCMU WHERE EXPOSED ONLY	
115C	WOMEN'S SHOWERS	CMT	CC	GCMU	GCMU	GCMU	GCMU	GB-EC				
115D	WOMEN'S TOILETS	CMT	CC	GFCMU	GFCMU	GFCMU	GFCMU	GB-EC				
115E	WOMEN'S TEAM LOCKERS	CPT	---	GFCMU	GFCMU	GFCMU	GFCMU	ACT2			BULKHEADS PAINTED ABOVE LOCKERS. GFCMU WHERE EXPOSED ONLY	
115F	WOMEN'S TEAM LOCKER ENTRY	CPT	---	GFCMU	GFCMU	GFCMU	GFCMU	GB-PT			NORTH WALL TO HAVE 7/8" FURRING, 5/8" GYP. PTD. & WHITEBOARD	
115G	MECHANICAL CLOSET	SC	---	CMU	CMU	CMU	CMU	ES-PT			WEST WALL TO HAVE 7/8" FURRING, 5/8" FIRE RATED PLYWOOD	
116	HALLWAY	STSC	---	BR/GLS	GLS	GFCMU	GLS	GB-PT				
117A	COMPETITION POOL	STSC	---	GFCMU	GFCMU	GFCMU	GFCMU	ES-ZC			CONC. WALL @ DIVE PLATFORM, CONC. COLUMNS & WALL @ TIMING CONTROL- NO PAINT	
117B	DIVING STAIR	SC	---	SC	---	SC/PT	---	---			SOUTH CONCRETE WALL TO BE PAINTED	
118A	MECHANICAL ROOM	SC	---	CMU	CMU	CMU	CMU	ES-PT				
118B	OZONE ROOM	SC	---	CMU	CMU	CMU	CMU	ES-PT				
119	CHEMICAL STORAGE ROOM	SC	---	CMU	CMU	CMU	CMU	ES-PT				
120A	ELECTRICAL ROOM	SC	---	CMU	CMU	CMU	CMU	ES-PT				
120B	COMMUNICATIONS ROOM	SC	---	CMU	CMU	CMU	CMU	ES-PT			FIRE RESISTANT PLYWOOD FURRED OUT ON WALLS	
121	SERVICE AREA	SC	---	CMU	CMU	CMU	CMU	ES-PT				
122	DECK STORAGE	SC	---	CMU	CMU	CMU	CMU	ES-PT				
123	EQUIPMENT STORAGE	SC	---	CMU	CMU	CMU	CMU	ES-PT				
124	TRAINING	SV	---	GFCMU	GFCMU	GFCMU	GFCMU	GB-PT				
125	TIMING CONTROL	SC	---	GFCMU	GFCMU	GFCMU	---	GB-EC				
200	MECHANICAL ROOM	SC	---	GB-PT	GB-PT	CMU	CMU	ES-PT			CONCRETE DIVE TOWER- NO PAINT	

ABBREVIATIONS

FLOOR	BASE	WALL	CEILING
STSC	VB	GB-PT	ACT1
SC	CC	CMU	ACT2
CMT	CC	GCMU	2x2 ACOUSTICAL PANEL CEILING (MOISTURE RESISTANT)
CPT	---	CW	2x2 ACOUSTICAL PANEL CEILING (MOISTURE RESISTANT)
SV	---	GLZ	GYP. BOARD - PAINTED
		GLS	GYP. BOARD - PAINTED
		WD/GLS	GYP. BOARD - EPOXY COATING
		BR	EXPOSED STRUCTURE - PAINTED
			EXPOSED STRUCTURE - POOL ENVIRONMENT

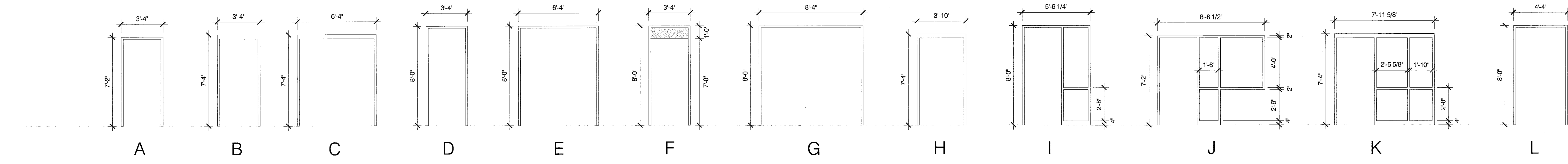
GENERAL NOTES

- CONFIRM COLOR SELECTIONS OF MATERIALS PRIOR TO PURCHASE.
- SEE FLOOR PLAN FOR MATERIAL CHANGE LOCATIONS.
- GROUNDFACE TO BE ON FINISHED FACE OF WALL, INSIDE FACE CAN BE STANDARD CMU WHERE NOTED.
- GCMU AT SHOWER ROOM - SEE SCHEDULE.
- FOR ALL UTILITY TYPE ROOMS- STANDARD FINISH ON ROOM SIDE OF WALL.
- ALL GROUND FACE BLOCK TO NOT RECEIVE PAINT, UNLESS NOTED OTHERWISE.
- VB ON GYP. BD. WALLS ONLY, STOP VB @ INTERIOR GLAZED PARTITIONS.
- STANDARD CMU, NO PAINT BEHIND CABINETS/LOCKERS ETC WHERE NOT EXPOSED, INCLUDING ABOVE CEILING.
- RAKE HORIZONTAL MORTAR JOINTS ON ALL EXPOSED GFCMU, VERTICAL JOINTS TO BE CONCAVE TOoled.
- CHECK PLANS FOR MISCELLANEOUS BULKHEADS AND LOW WALLS - PAINTED.
- EXPOSED CONCRETE - FINISHED, SEE SPECS.
- UTILITY, STORAGE, & MECHANICAL ROOMS NOT RECEIVING PAINT- HOLLOW METAL DOOR FRAMES ARE TO BE PAINTED



02 DOOR ELEVATIONS

A6.01 1/4" = 1'-0"



01 FRAME ELEVATIONS

A6.01 1/4" = 1'-0"

BROWNING DAY MULLINS DIERDORF ARCHITECTS

Browning Day Mullins Dierdorf Architects  
Architecture  
Landscape Architecture  
Planning

334 North Senate Avenue  
Indianapolis, Indiana 46204  
P: 317.635.5030  
F: 317.634.5409  
E-Mail: jday@bmdm.com

Circle Design Group, Inc.  
Mechanical Electrical Plumbing Engineers

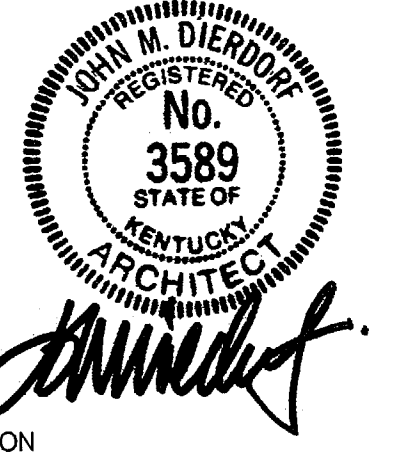
5510 South East Street, Suite F  
Indianapolis, Indiana 46227  
P: 317.781.8200  
F: 317.781.8201  
E-Mail: kerry@circledesigngroup.com

Lawson Elser Engineering Consultants  
Structural Engineers

650 East Carmel Drive, Suite 150  
Carmel, Indiana 46032  
P: 317.574.9409  
F: 317.574.9431  
E-Mail: mlawson@lawsonelser.com

Skees Engineering, Inc.  
Civil Engineers

400 Blankenbaker Parkway, Suite 300  
Louisville, KY 40243  
P: 502.254.2344  
F: 502.254.3008  
E-Mail: dmckinnon@skees.com



CERTIFICATION  
CONSTRUCTION DOCUMENTS

CARDINAL PARK NATATORIUM

UNIVERSITY OF LOUISVILLE

Project: 03006  
Drawn: D. MCCLOSKEY  
Checked: J. LINDSTAEDET  
Scale:  
Issue Date: AUGUST 27, 2003  
Revision:

ROOM/DOOR SCHEDULE

A6.01

OFFICIAL BID DOCUMENT

I:\2003\03006 - Uct - Natatorium\Draw\CD\03006a601.dwg 8/21/03 3:05PM