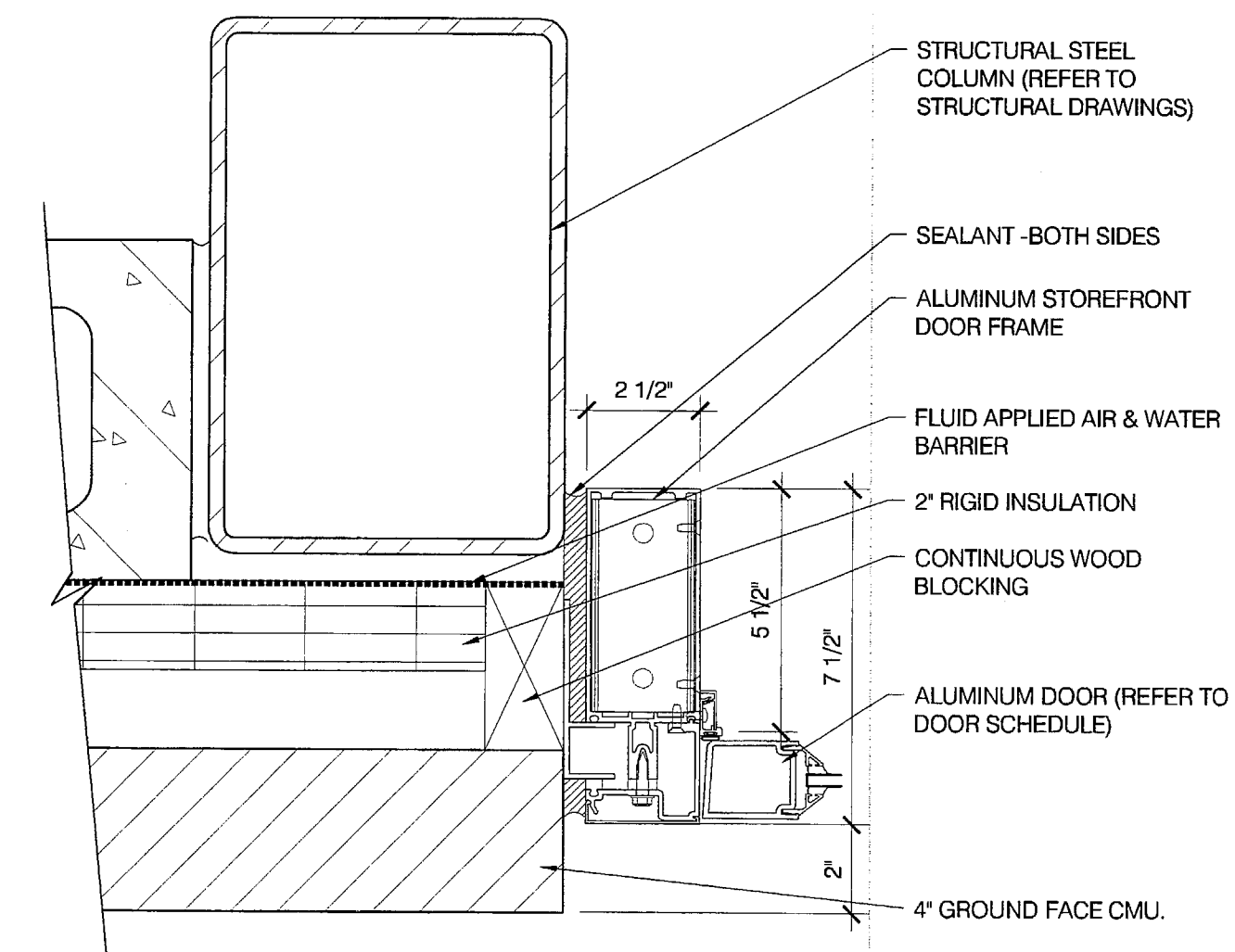


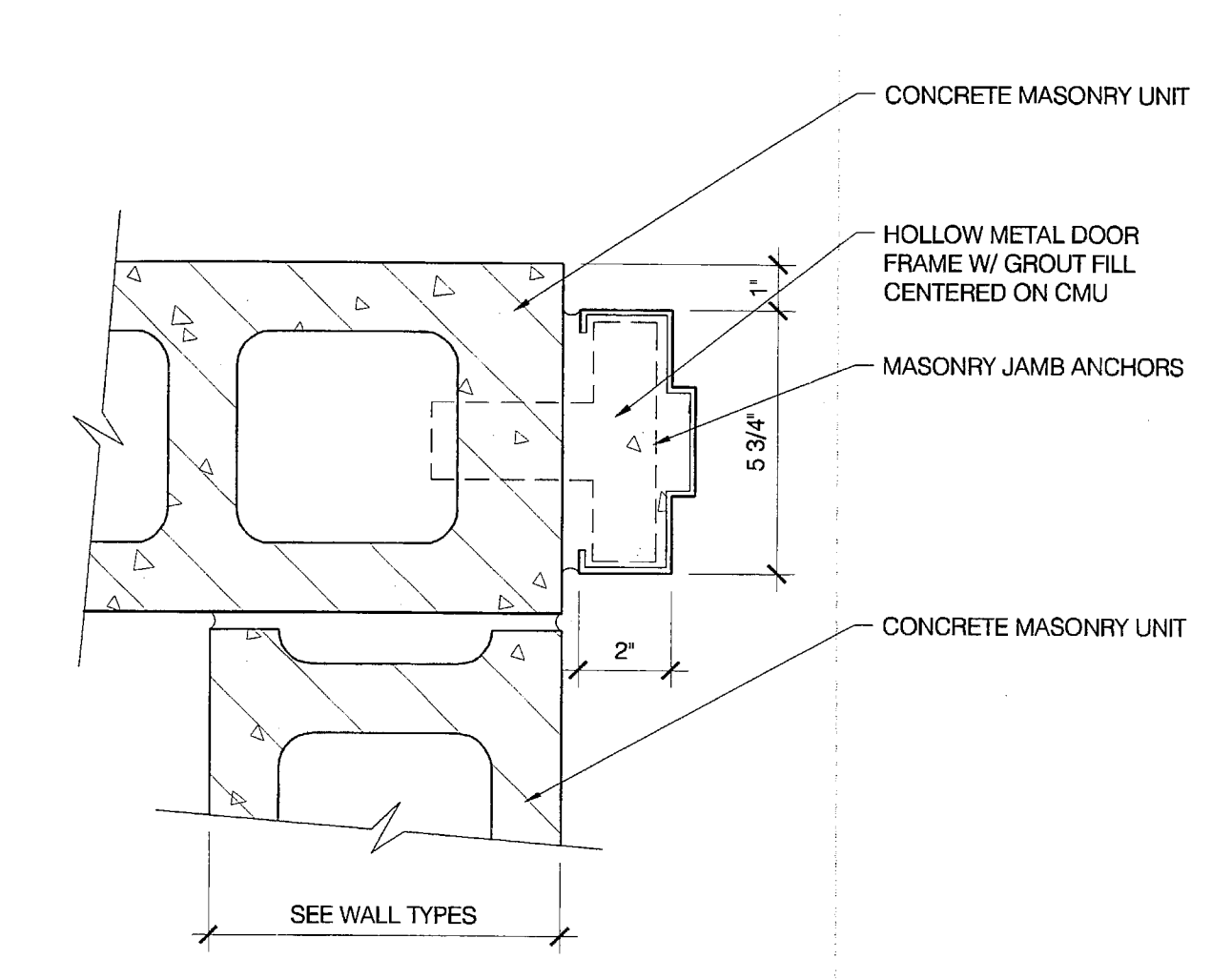
**H2** DOOR HEAD DETAIL

A6.03 3" = 1'-0"



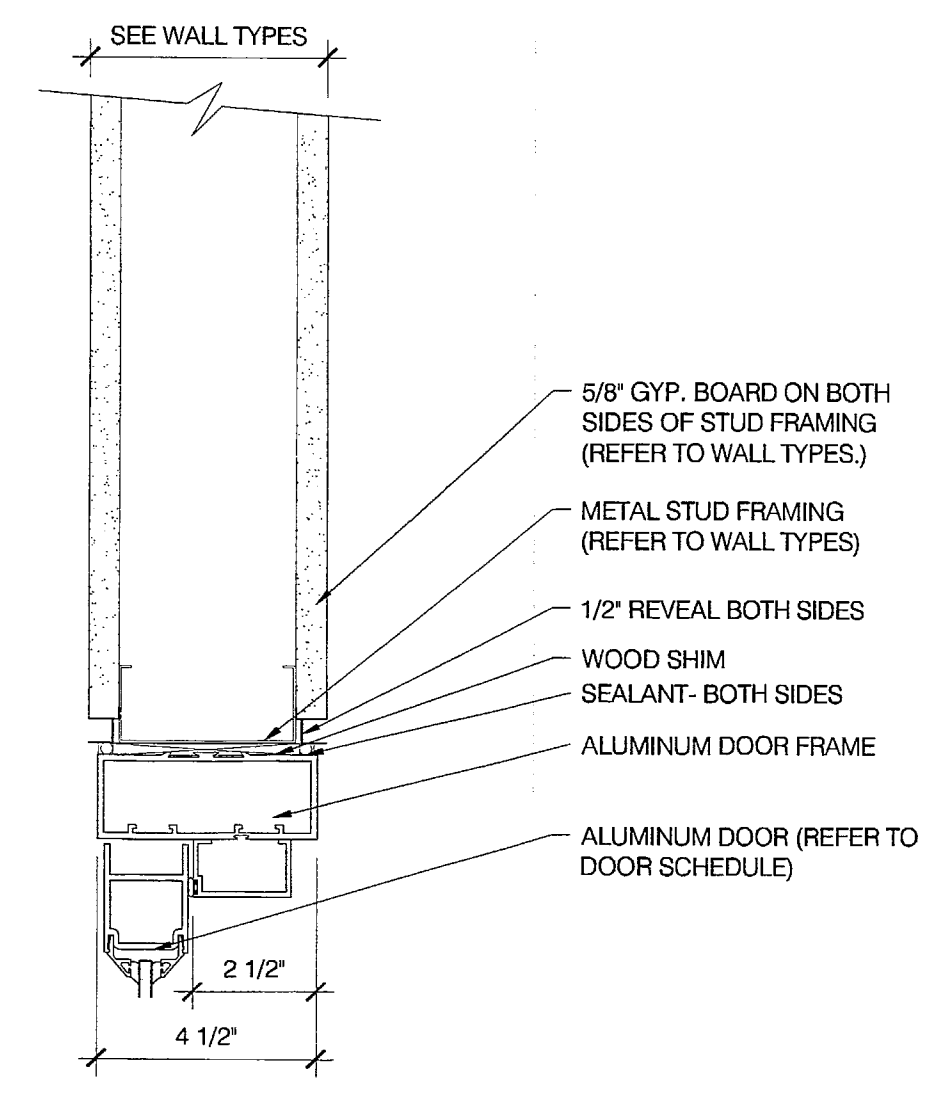
**J8** DOOR JAMB DETAIL

A6.03 3" = 1'-0"



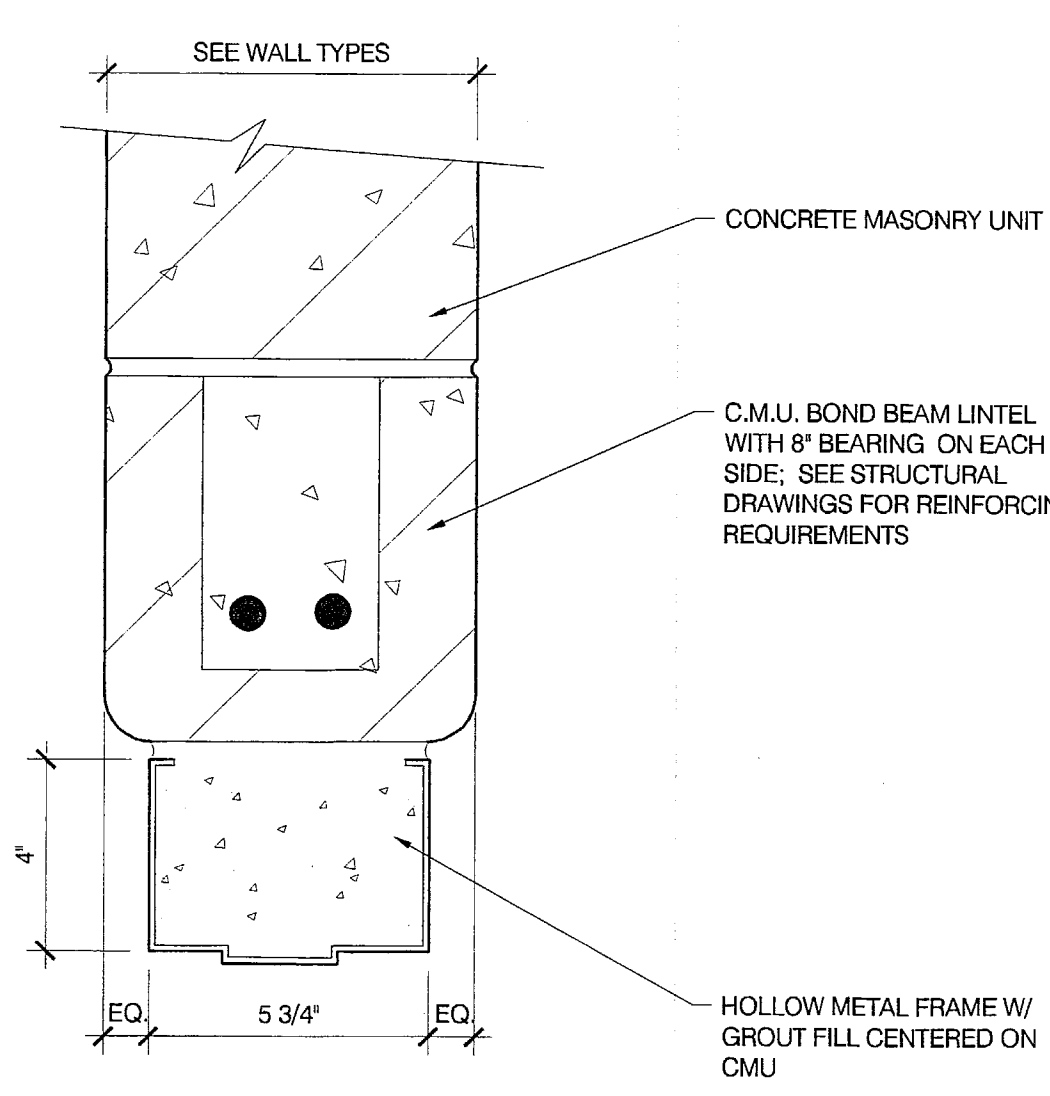
**J4** DOOR JAMB DETAIL

A6.03 3" = 1'-0"



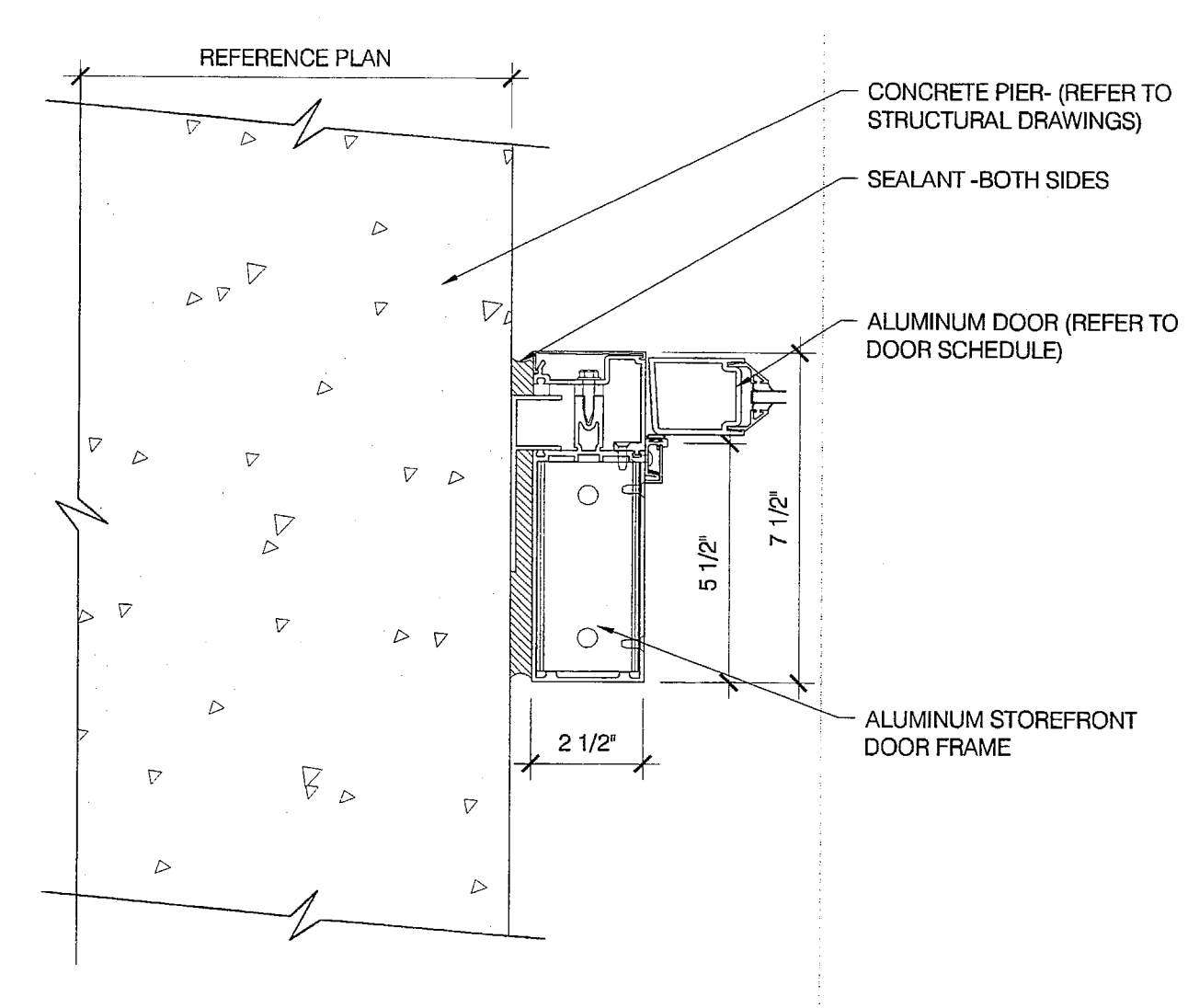
**H5** DOOR HEAD DETAIL

A6.03 3" = 1'-0"



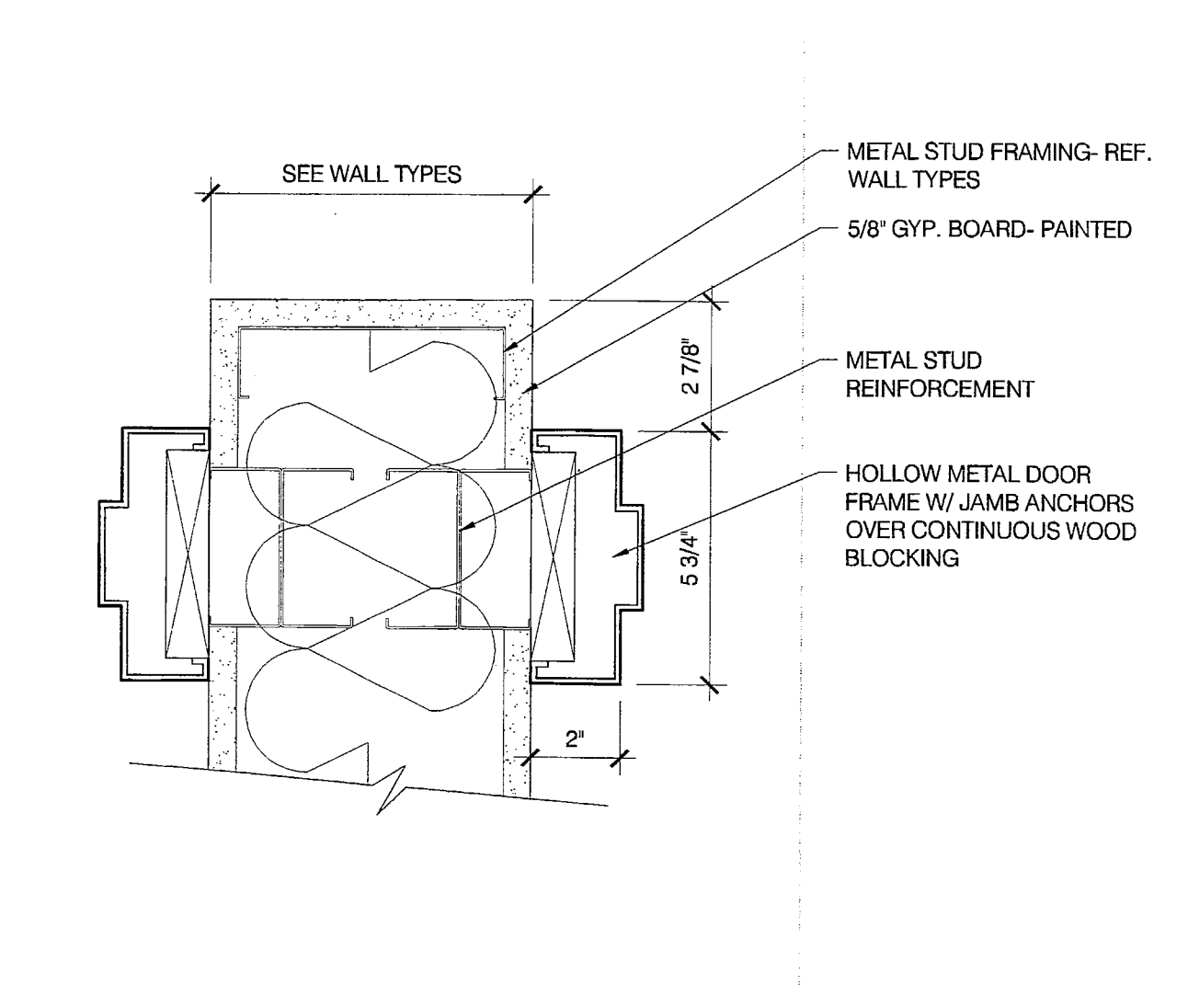
**H1** DOOR HEAD DETAIL

A6.03 3" = 1'-0"



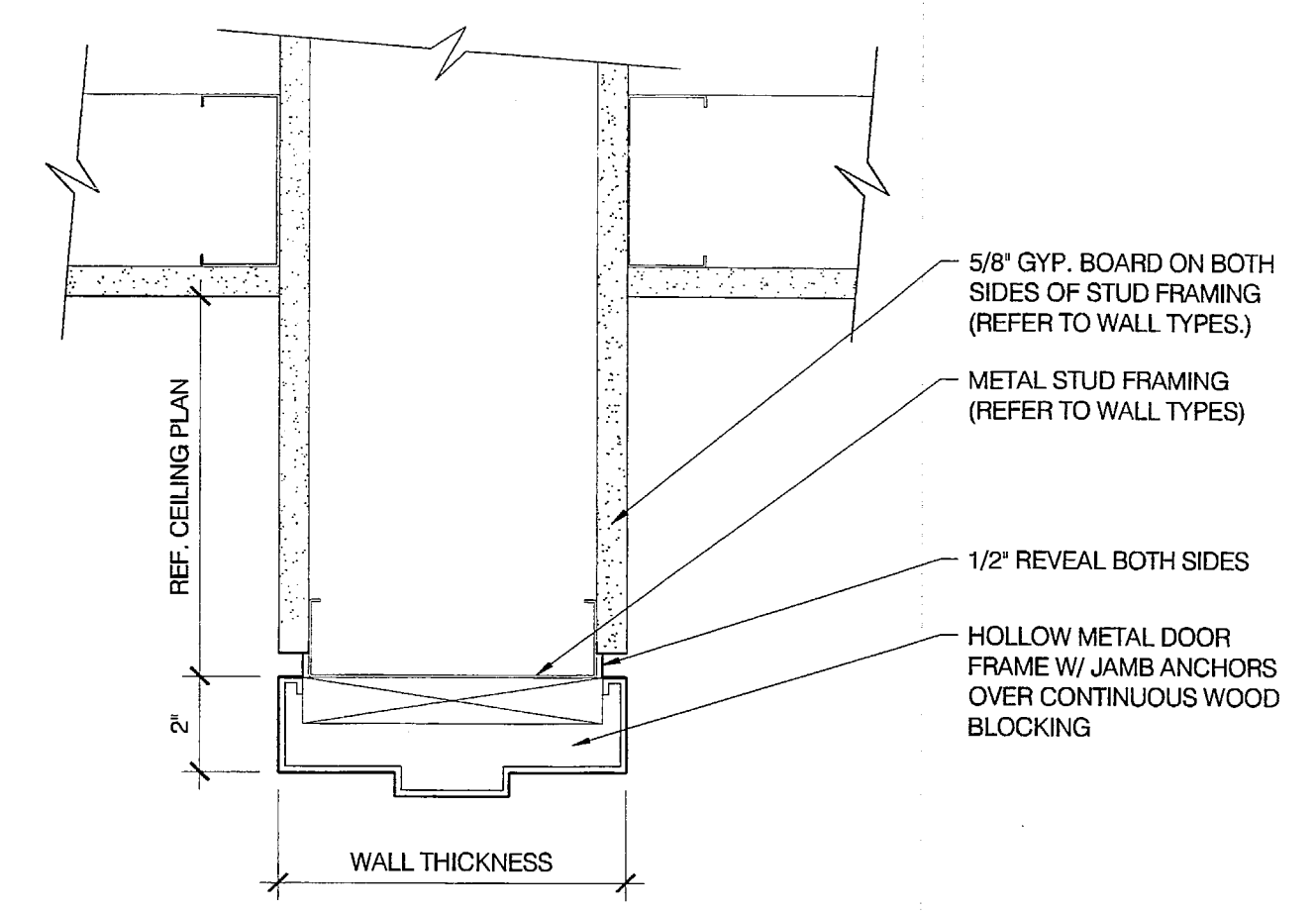
**J7** DOOR JAMB DETAIL

A6.03 3" = 1'-0"



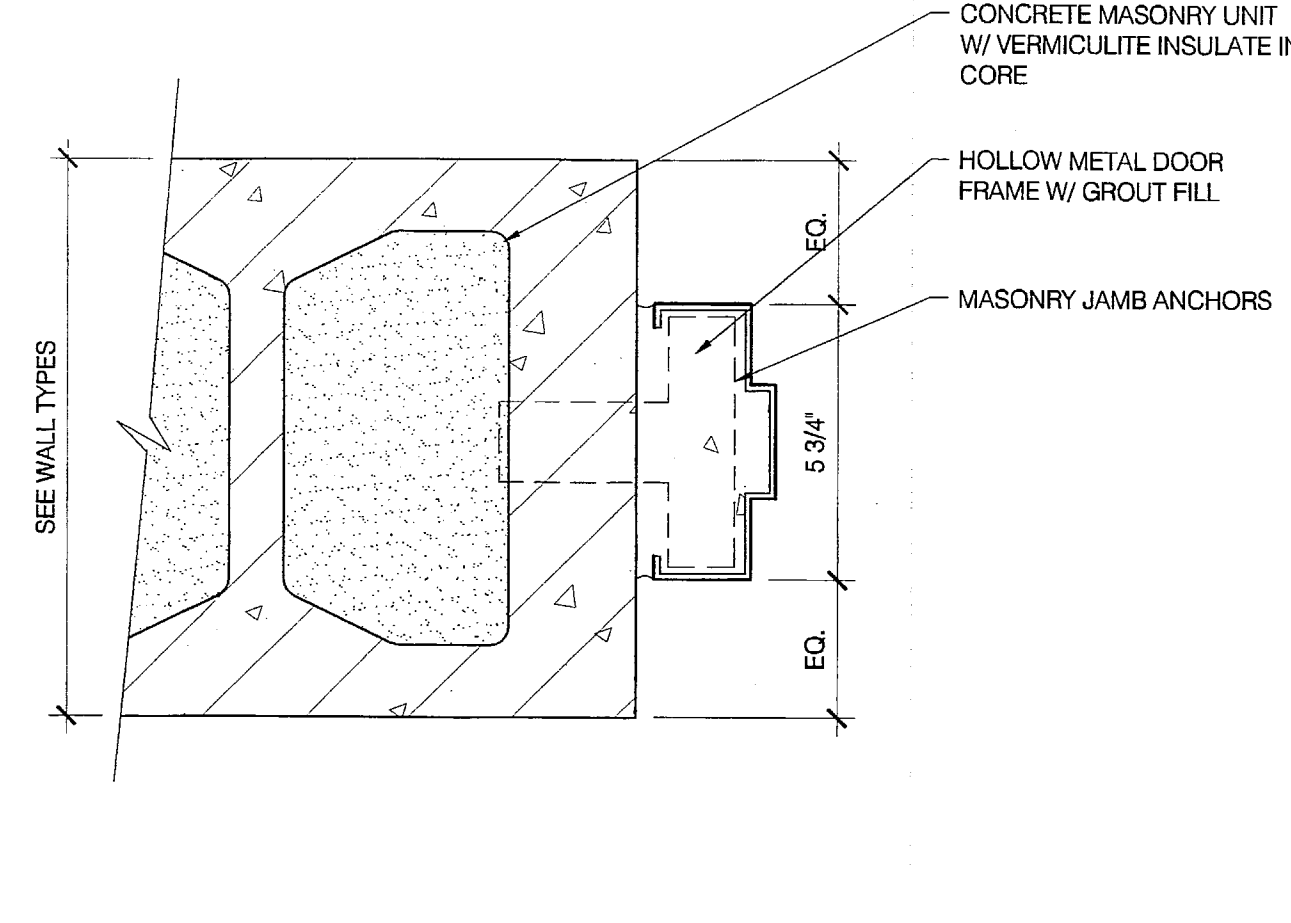
**J3** DOOR JAMB DETAIL

A6.03 3" = 1'-0"



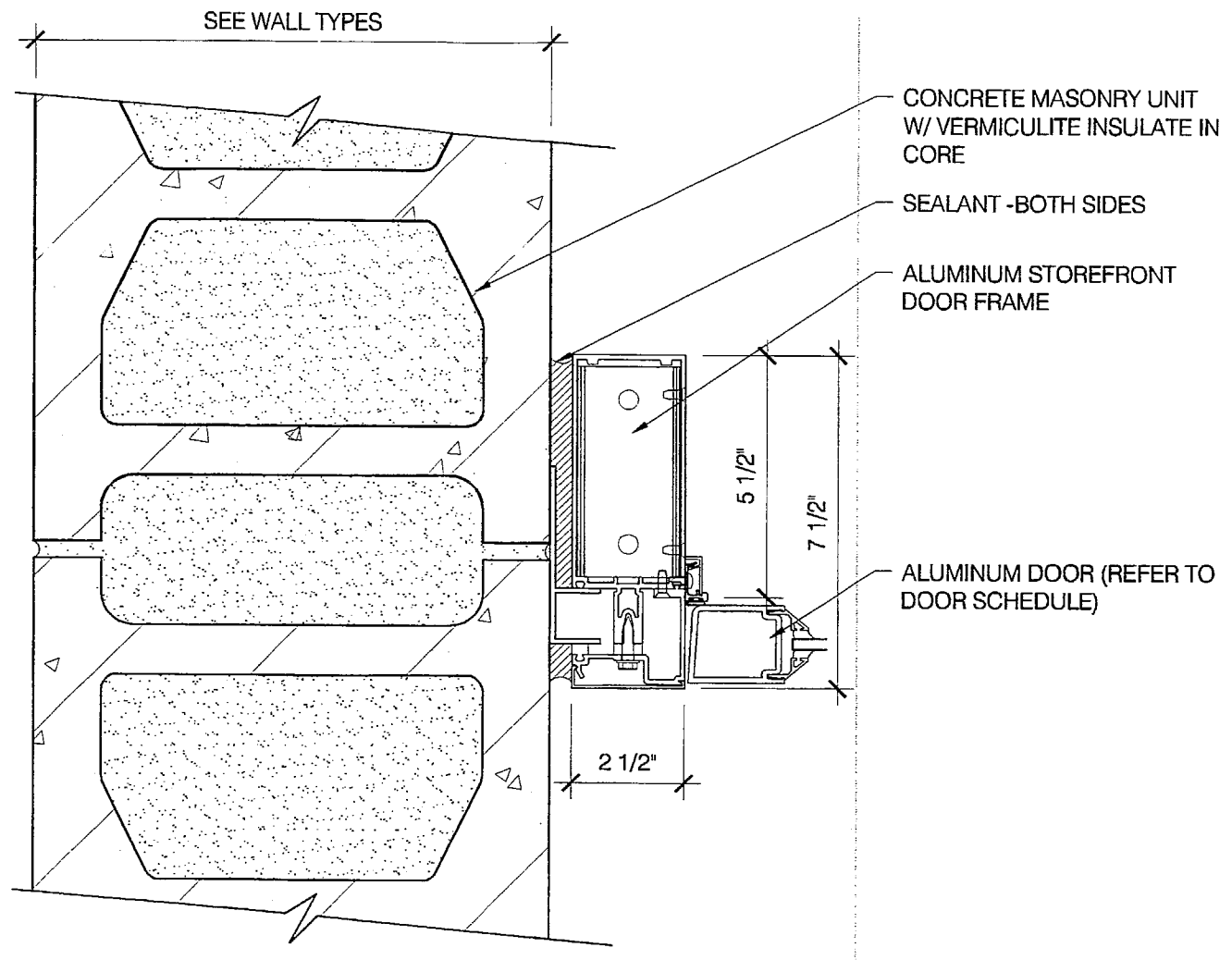
**H4** DOOR JAMB DETAIL

A6.03 3" = 1'-0"



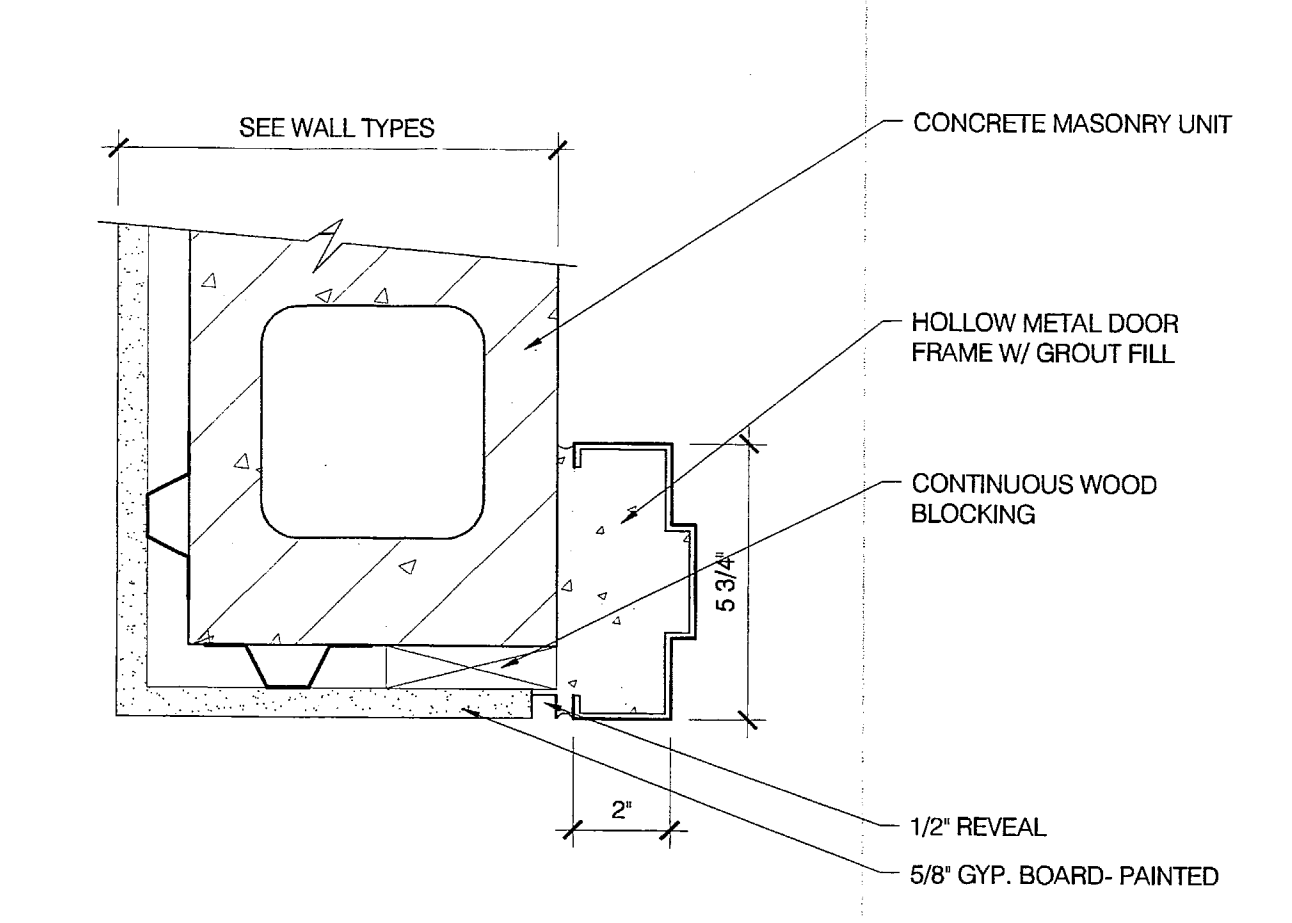
**J9** DOOR JAMB DETAIL

A6.03 3" = 1'-0"



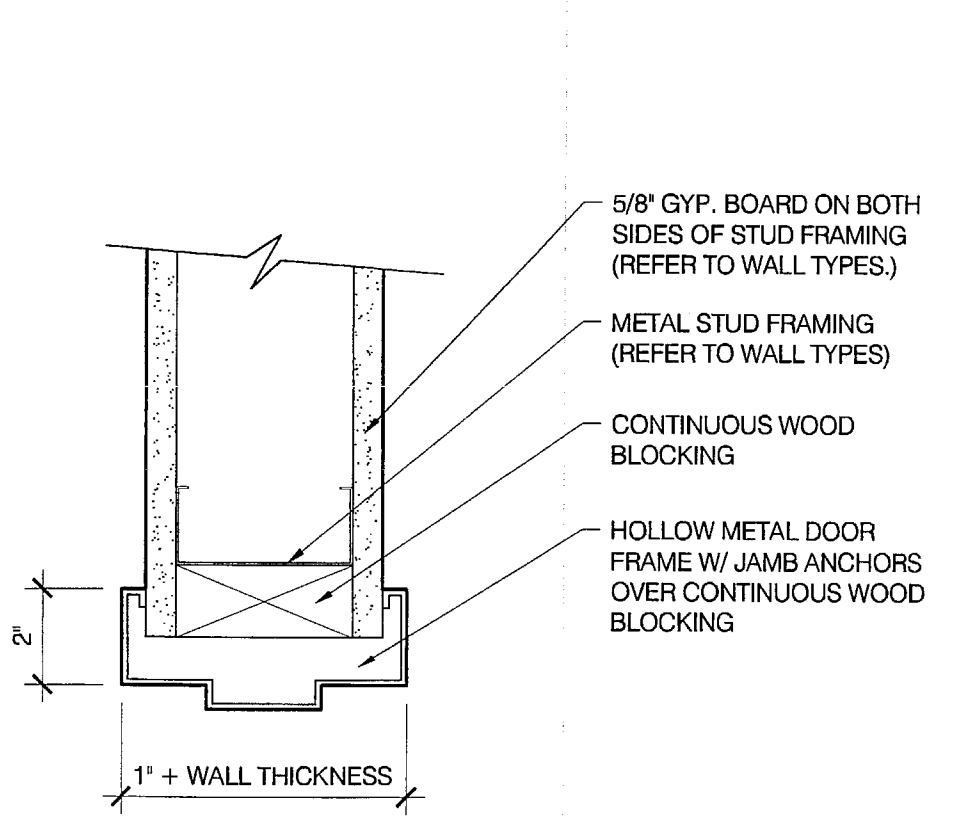
**J6** DOOR JAMB DETAIL

A6.03 3" = 1'-0"



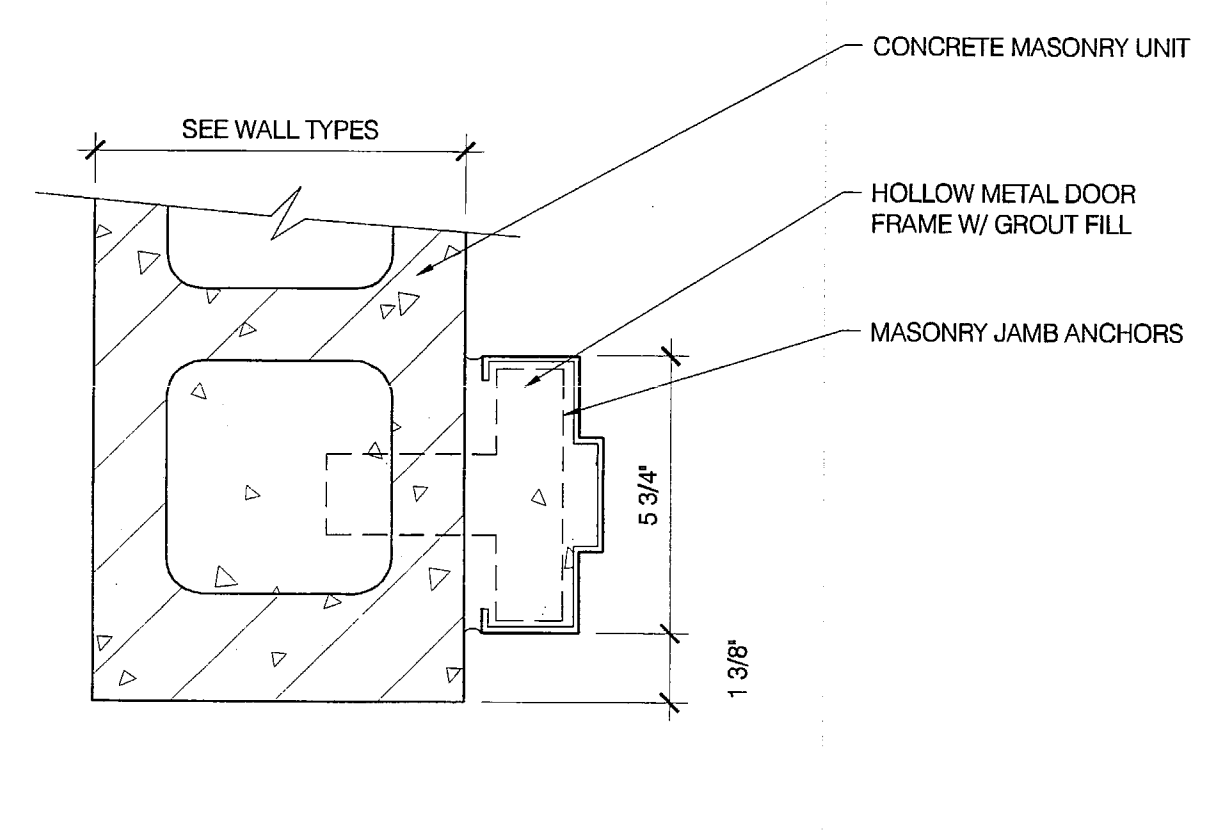
**J2** DOOR JAMB DETAIL

A6.03 3" = 1'-0"



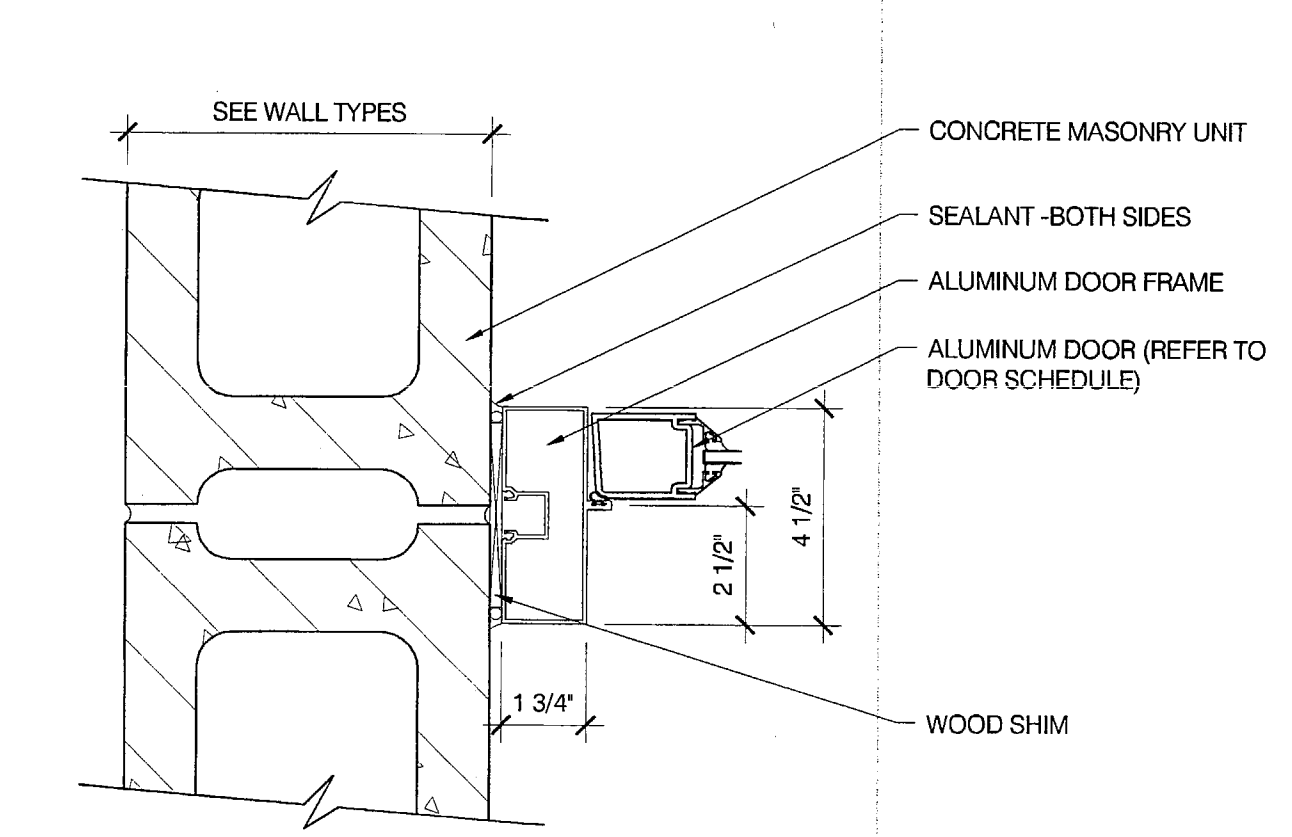
**H3** DOOR HEAD/JAMB DETAIL

A6.03 3" = 1'-0"



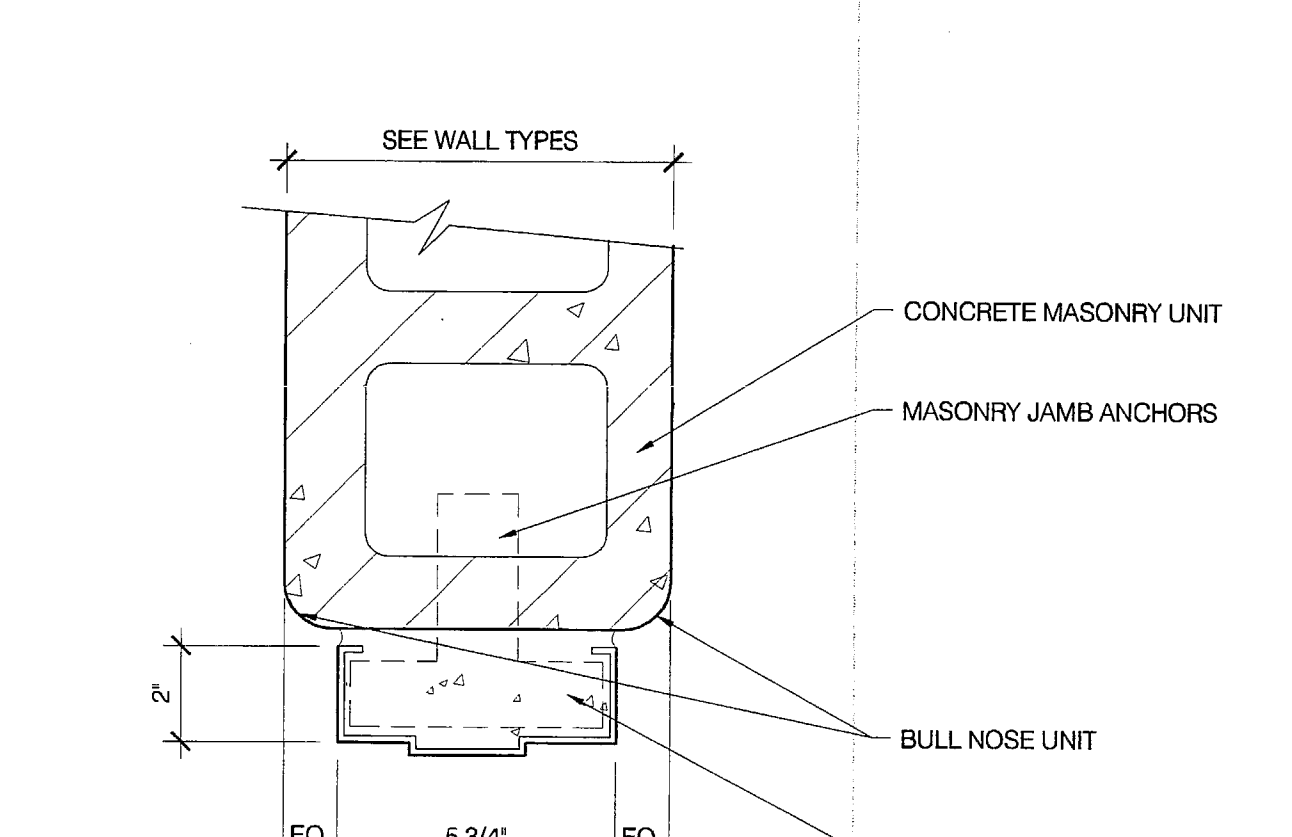
**J9** DOOR JAMB DETAIL

A6.03 3" = 1'-0"



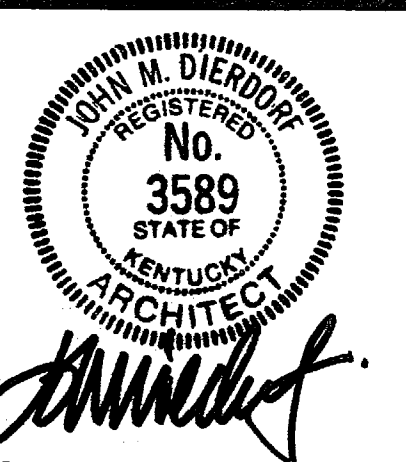
**J5** DOOR JAMB DETAIL

A6.03 3" = 1'-0"



**J1** DOOR JAMB DETAIL

A6.03 3" = 1'-0"



CERTIFICATION  
CONSTRUCTION DOCUMENTS

CARDINAL PARK NATATORIUM

UNIVERSITY OF LOUISVILLE

Project: 03006  
Drawn: D. MCCLOSKEY  
Checked: J. LINDSTAEDT  
Scale:  
Issue Date: AUGUST 27, 2003  
Revision:

DOOR HEAD AND JAMB DETAILS

**A6.03**

OFFICIAL BID DOCUMENT