

# BROWNING DAY MULLINS DIERDORF ARCHITECTS

Browning Day Mullins Dierdorf Architects  
Architecture  
Landscape Architecture  
Planning

334 North Senate Avenue  
Indianapolis, Indiana 46204  
P: 317.635.5030  
F: 317.634.5409  
E-Mail: jindstaedt@bdmd.com

Circle Design Group, Inc.  
Mechanical Electrical Plumbing Engineers

5510 South East Street, Suite F  
Indianapolis, Indiana 46227  
P: 317.781.6200  
F: 317.781.6201  
E-Mail: kerry@circledesigngroup.com

Lawson Elser Engineering Consultants  
Structural Engineers

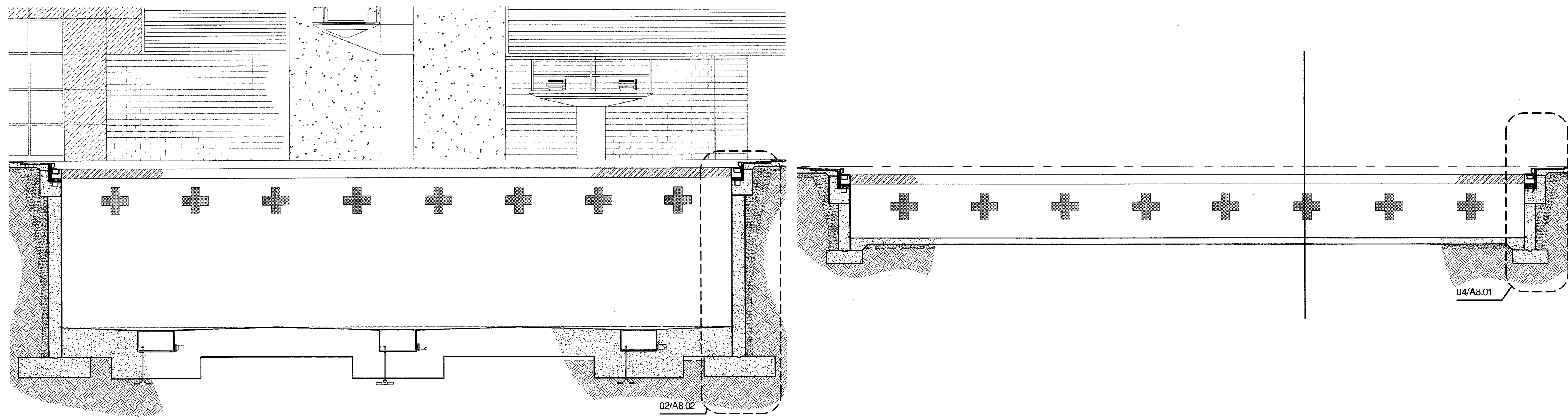
650 East Carmel Drive, Suite 150  
Carmel, Indiana 46032  
P: 317.574.9409  
F: 317.574.9431  
E-Mail: mlawson@lawsonelser.com

Skees Engineering, Inc.  
Civil Engineers

400 Blankenbaker Parkway, Suite 300  
Louisville, KY 40243  
P: 502.254.2344  
F: 502.254.3008  
E-Mail: dmckinnon@skees.com

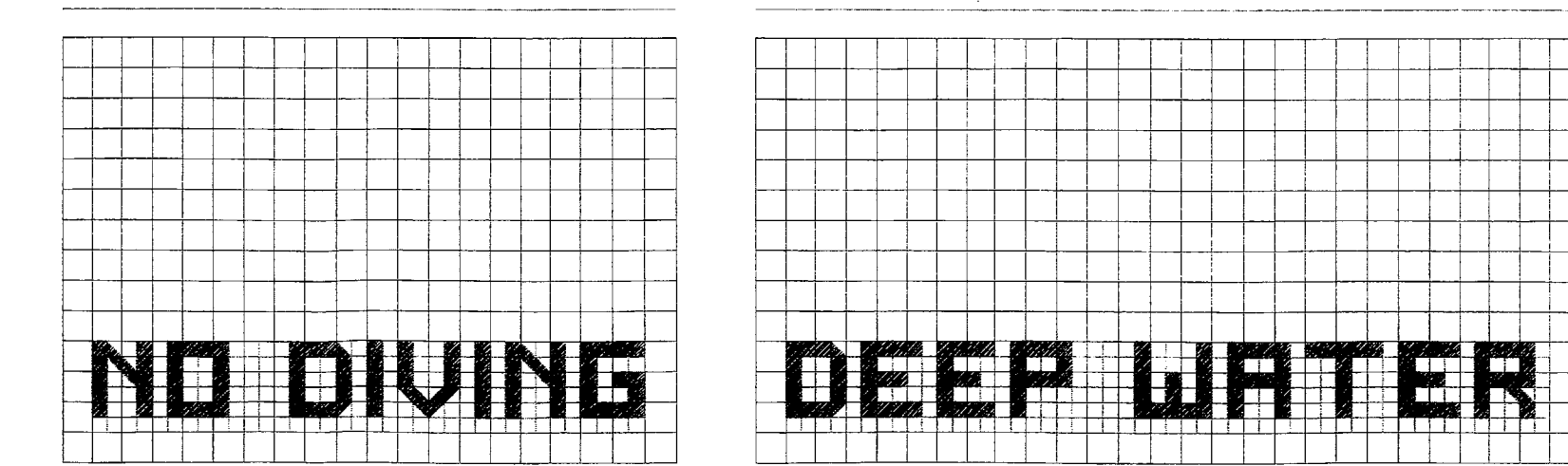
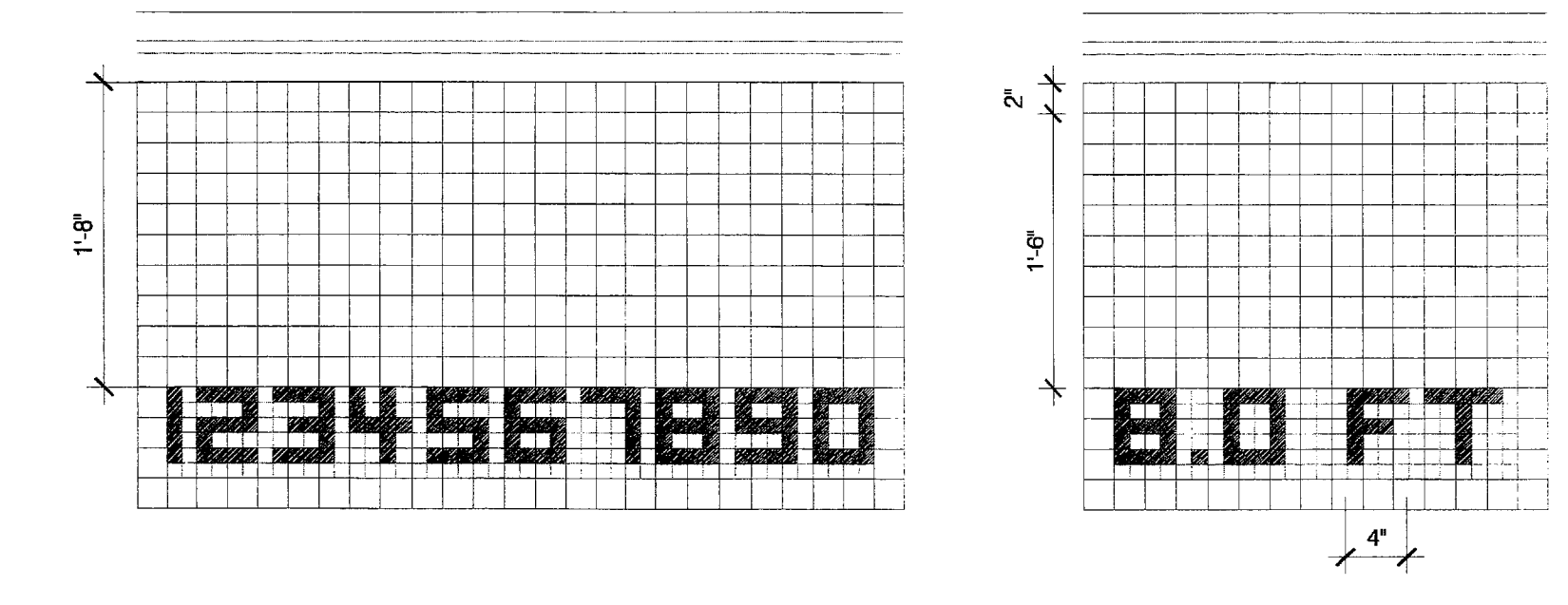
## DECK EQUIPMENT SCHEDULE

Item No.	Description	Manf.	Catalog Number	Remarks
D-1	TAGLINE STANCHION ANCHOR W/ CAP	RECREONICS	46-041	FALSE START & BACKSTROKE STANCHION POLE BY OWNER
D-2	S.S. PRETZEL BEND GRAB RAILS	RECREONICS	44-075	-ANCHOR POSITION TO BE COORDINATED WITH GUTTER EDGE -TYP. FOUR ANCHORS PER SET OF GRAB RAILS WITH 4" (RECREONICS 44-300) ANCHORS WITH CHROME-PLATED BRONZE ESCUTCHEON PLATES (RECREONICS 44-317)
D-3	S.S. LANE LINE CLIP ANCHOR	RECREONICS	14-505	COORDINATE ANCHOR WITH GUTTER PROFILE
D-4	S.S. STARTING BLOCK ANCHORS	RECREONICS	46-153	TRACK START COMPETITOR STARTING BLOCK BY OWNER -BULKHEAD MANF. TO COORDINATE PLACEMENT OF STARTING BLOCKS AND ANCHORS INTO DESIGN OF BULKHEAD



**05** CROSS SECTION COMPETITION POOL SECTION  
A8.1 1/8" = 1'-0"

**04** CROSS SECTION COMPETITION POOL SECTION  
A8.1 1/8" = 1'-0"



DECK TILE / POOL EDGE	A	B	C	D	E
DEPTH (FT)	4.5 FT.	7.0 FT.	17.75 FT.	NO DIVING	DEEP WATER

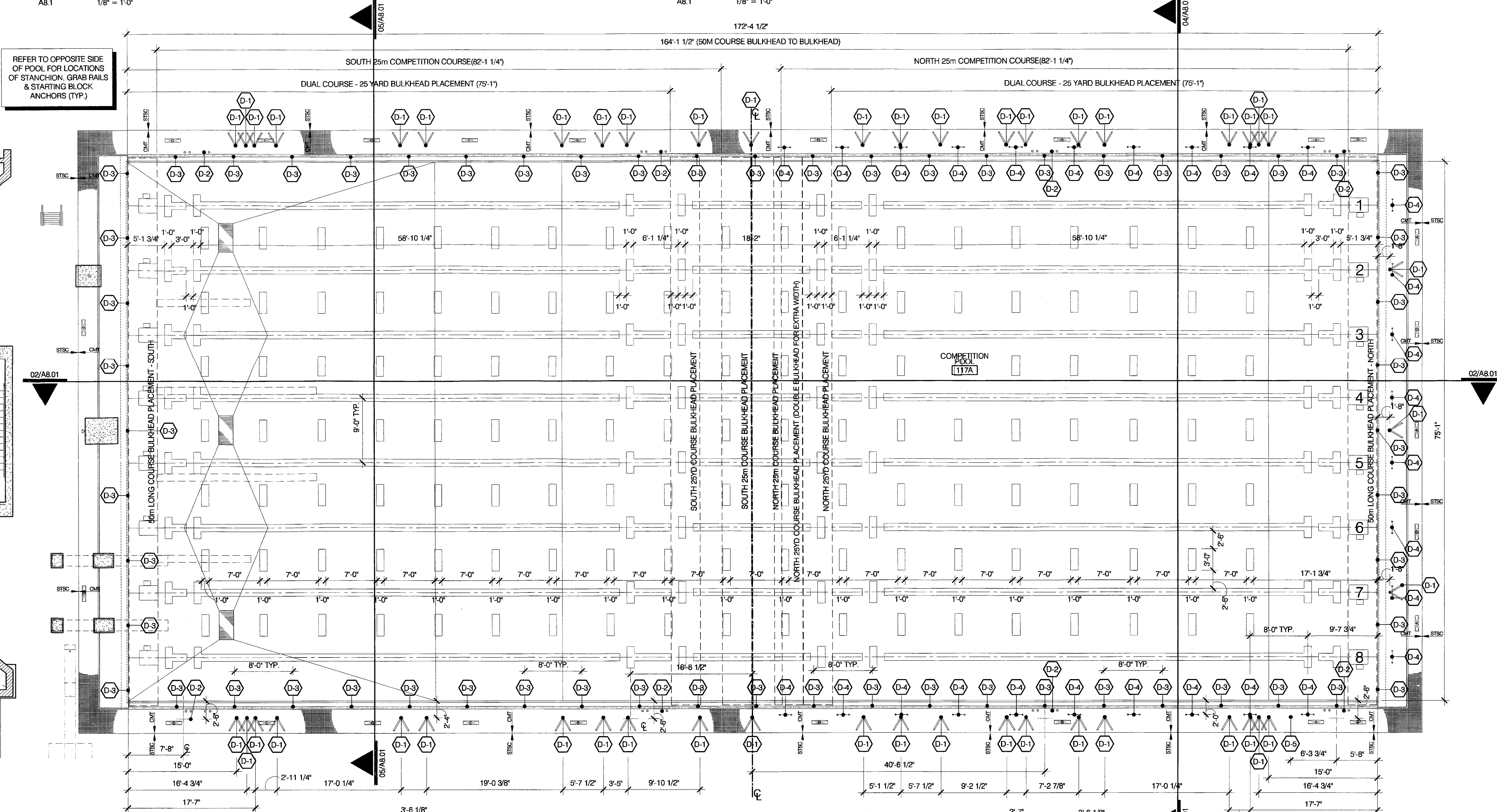
NOTES:

- POOL EDGE LETTERS 10" HIGH TO MATCH STYLE ABOVE
- POOL EDGE GRAPHICS SHALL BE PAINTED ON TO FACE OF STAINLESS STEEL GUTTER
- ALL POOL TILE GRAPHICS SHOULD BE BLACK IN COLOR
- VERIFY DEPTH MARKING REQUIREMENTS WITH LOCAL POOL CODES

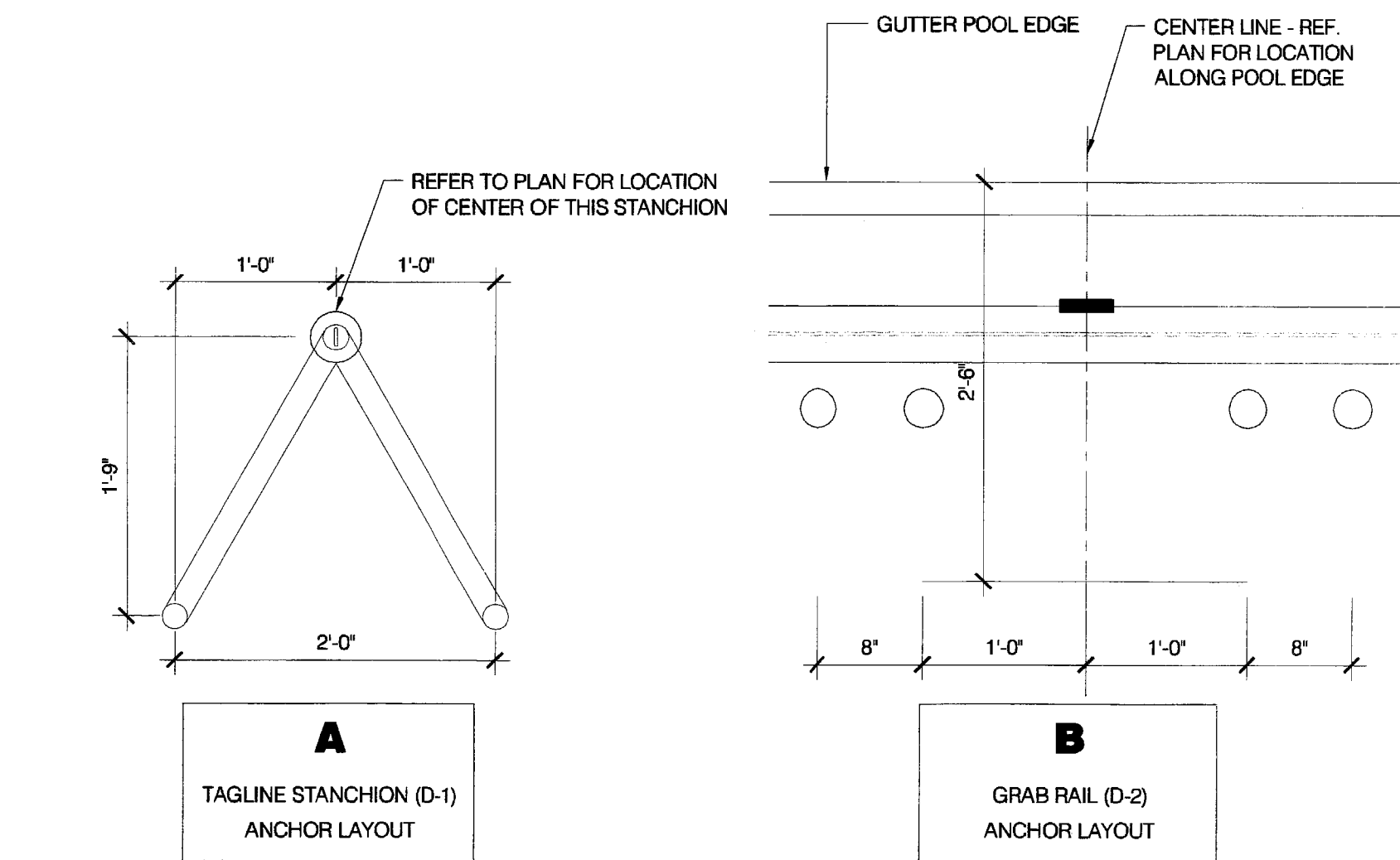
## 01 DECK GRAPHICS

### GENERAL NOTES

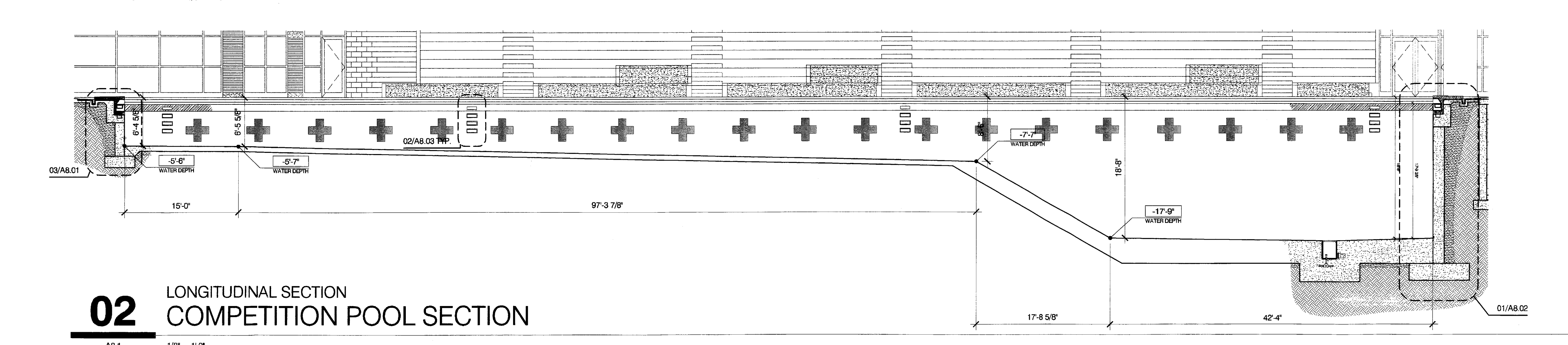
- ALL DECK TILE SHALL BE NON-SKID
- USE FULL TILE UNITS EXCEPT WHERE NOTED AS CUT TILE
- THERE SHALL BE TWO STAINLESS STEEL BULKHEADS
- COORDINATE PLACEMENT OF BULKHEAD POSITION ANCHORS IN SIDEWALLS WITH PROPOSED, OWNER SUPPLIED, TIMING TOUCH PADS AND NCAA REGULATIONS ON COURSE LENGTH FOR ALL COURSE DIMENSIONS SHOWN ON PLAN
- REFER TO SHEET A8.04 FOR DIVING PLATFORM PLANS AND DETAILS



**03** COMPETITION POOL PLAN  
A8.1 1/8" = 1'-0"



**06** ANCHOR LAYOUTS  
A8.1 1" = 1'-0"



**02** LONGITUDINAL SECTION COMPETITION POOL SECTION  
A8.1 1/8" = 1'-0"



CERTIFICATION  
CONSTRUCTION DOCUMENTS

CARDINAL PARK NATATORIUM

UNIVERSITY OF LOUISVILLE

Project: 03006  
Drawn: D. MCCLOSKEY  
Checked: J. LINDSTAEDT  
Scale: AUGUST 27, 2003  
Issue Date: ADDENDUM 2  
Revision: October 7, 2003

POOL PLAN & DETAILS

**A8.01** OFFICIAL BID DOCUMENT