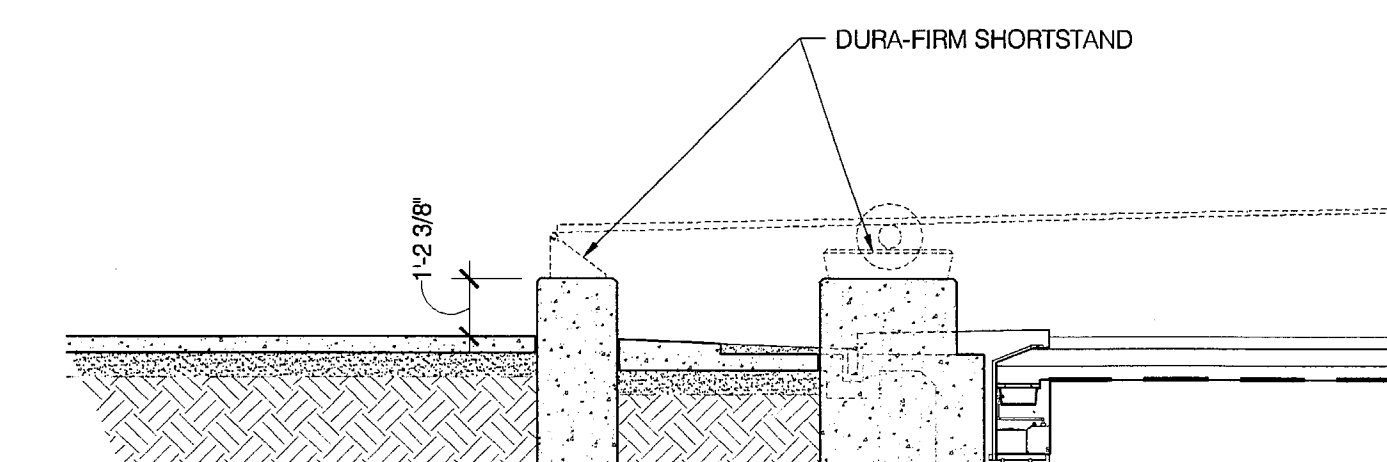


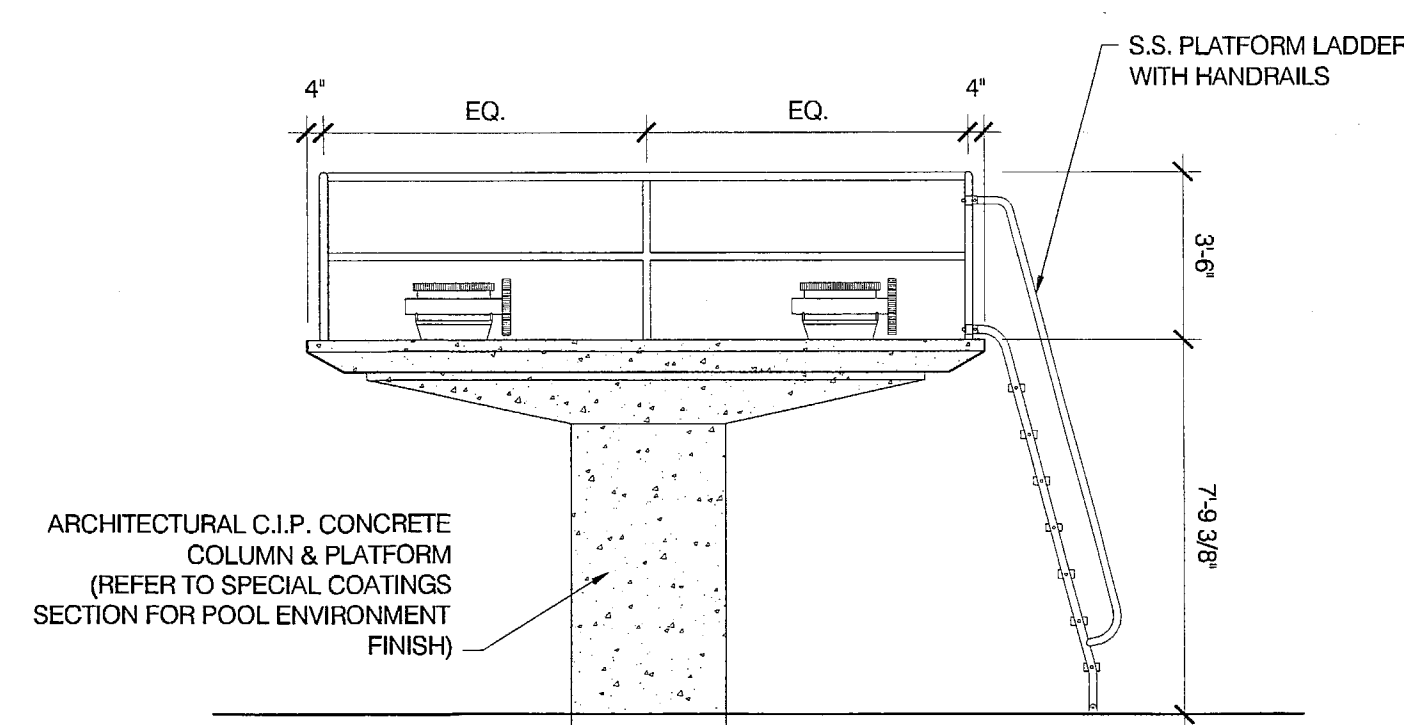
06 PLATFORM EDGE TYP. DETAIL

A8.04 1/4" = 1'-0"



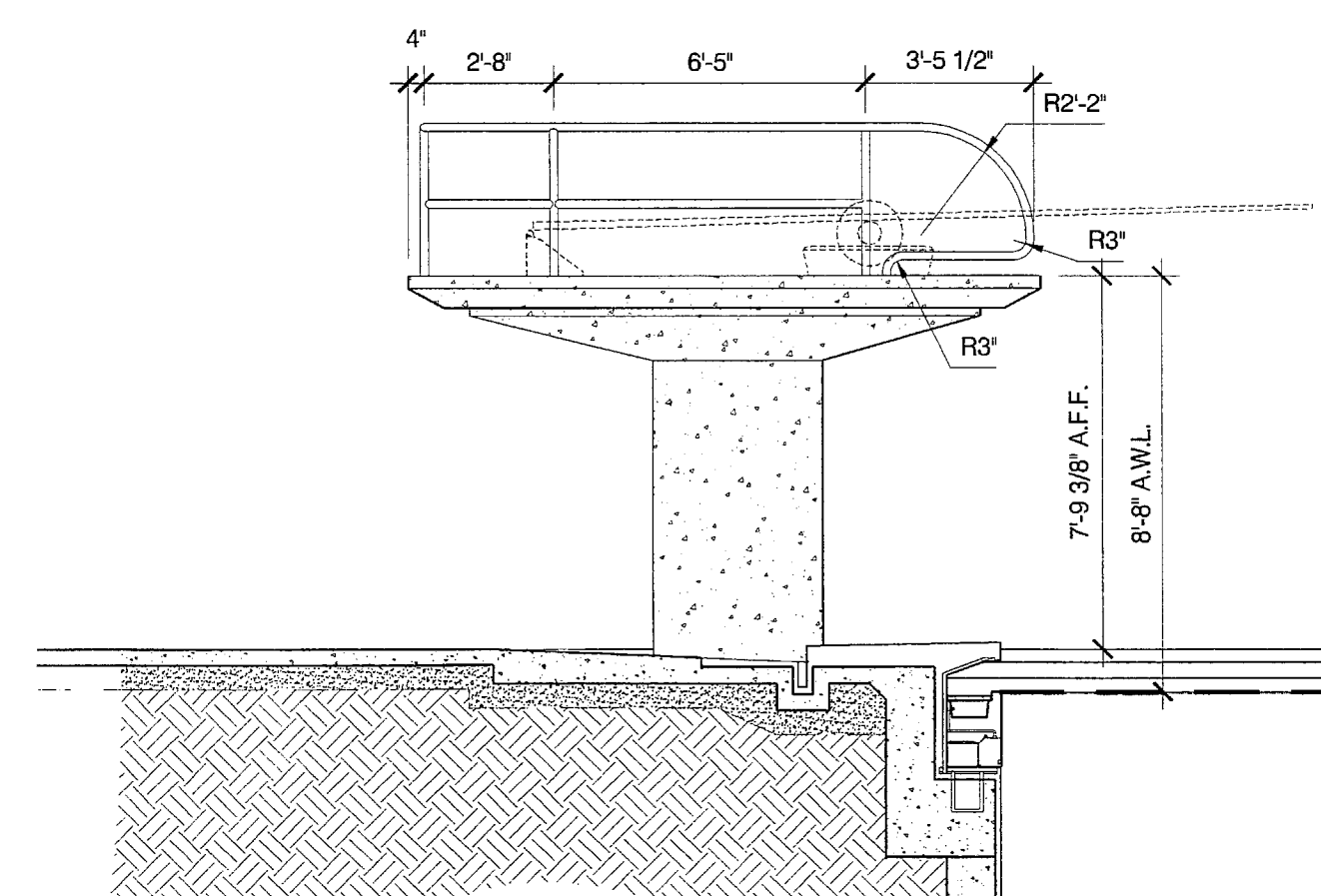
05 DIVING PLATFORM ELEVATION - 1M SPRINGBOARD

A8.04 1/4" = 1'-0"



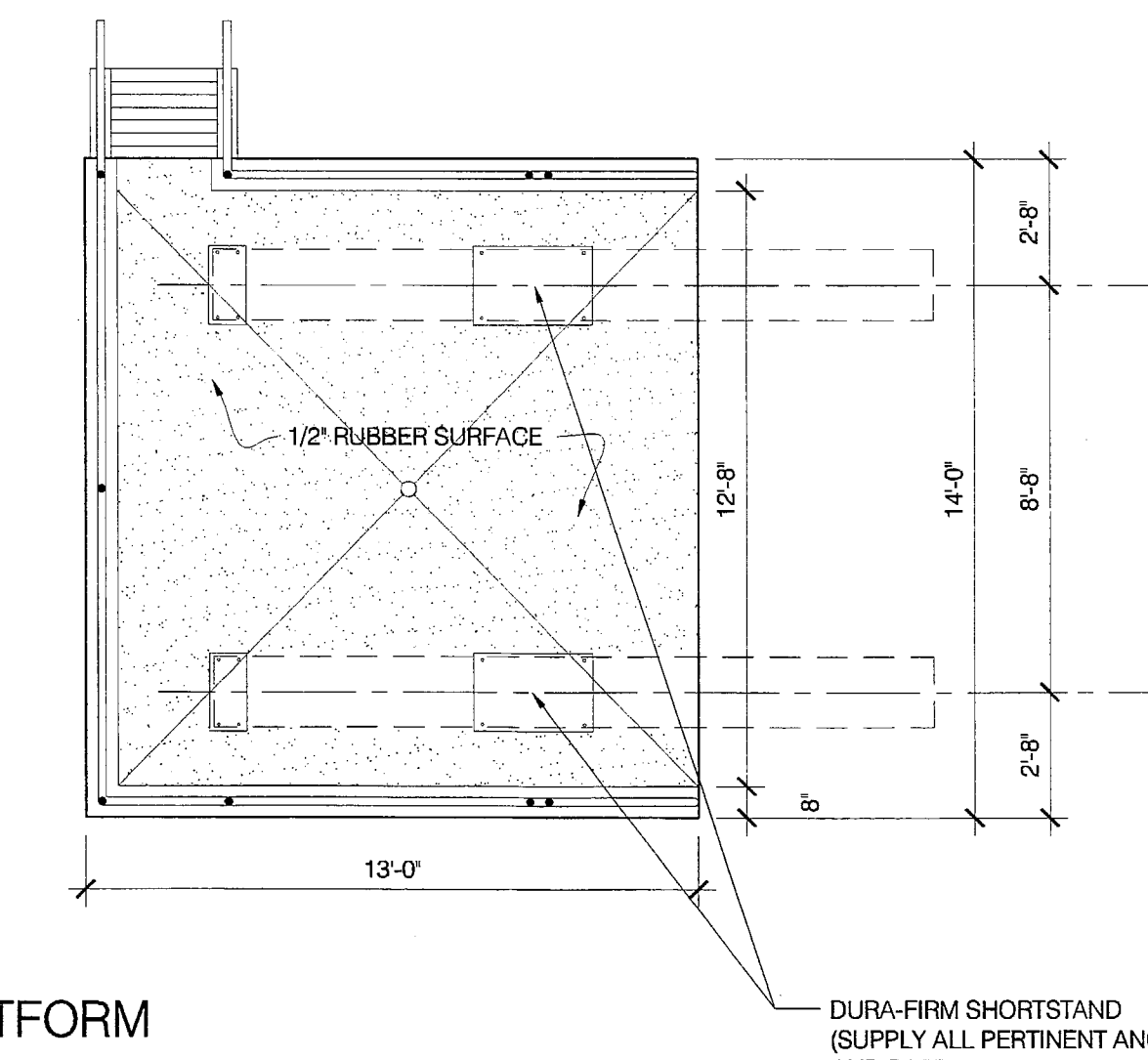
04C DIVING PLATFORM ELEVATION - FRONT

A8.04 1/4" = 1'-0"



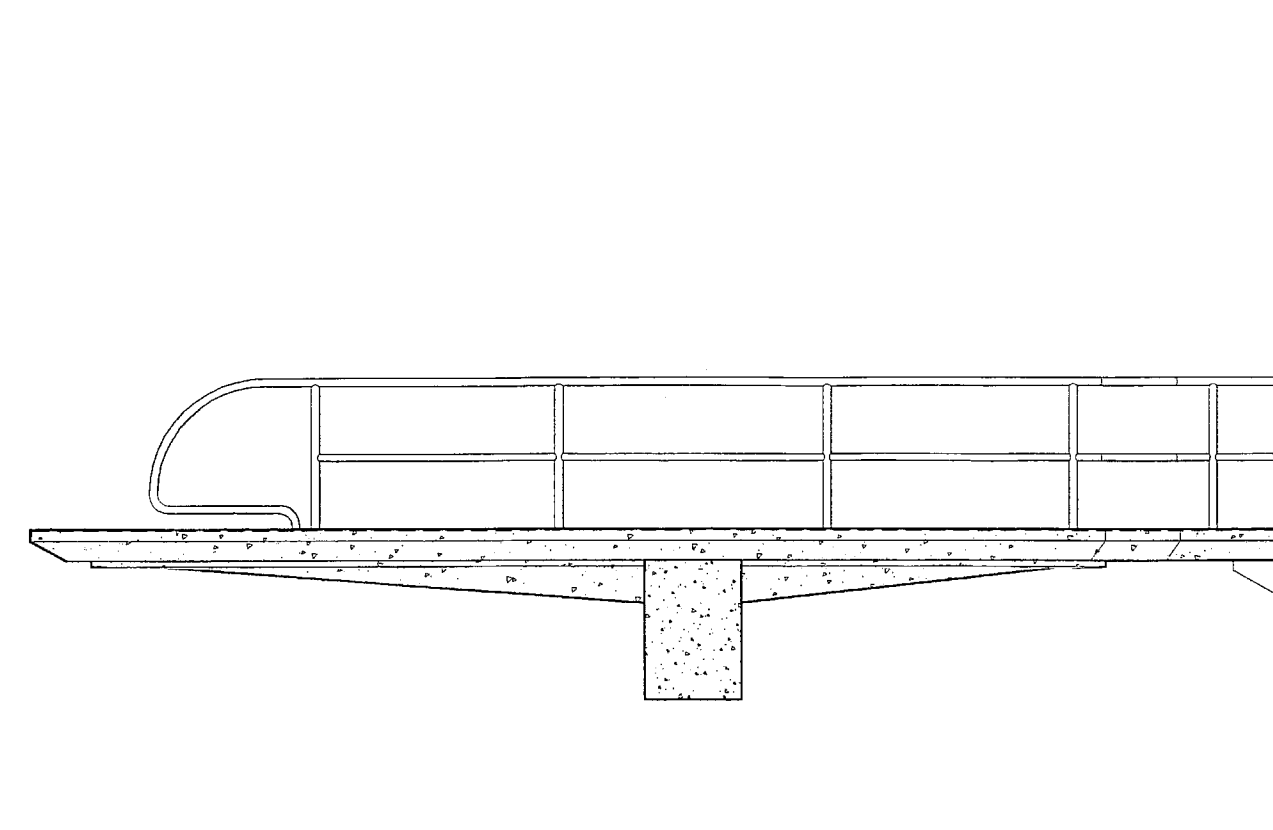
04B DIVING PLATFORM ELEVATION - SIDE

A8.04 1/4" = 1'-0"



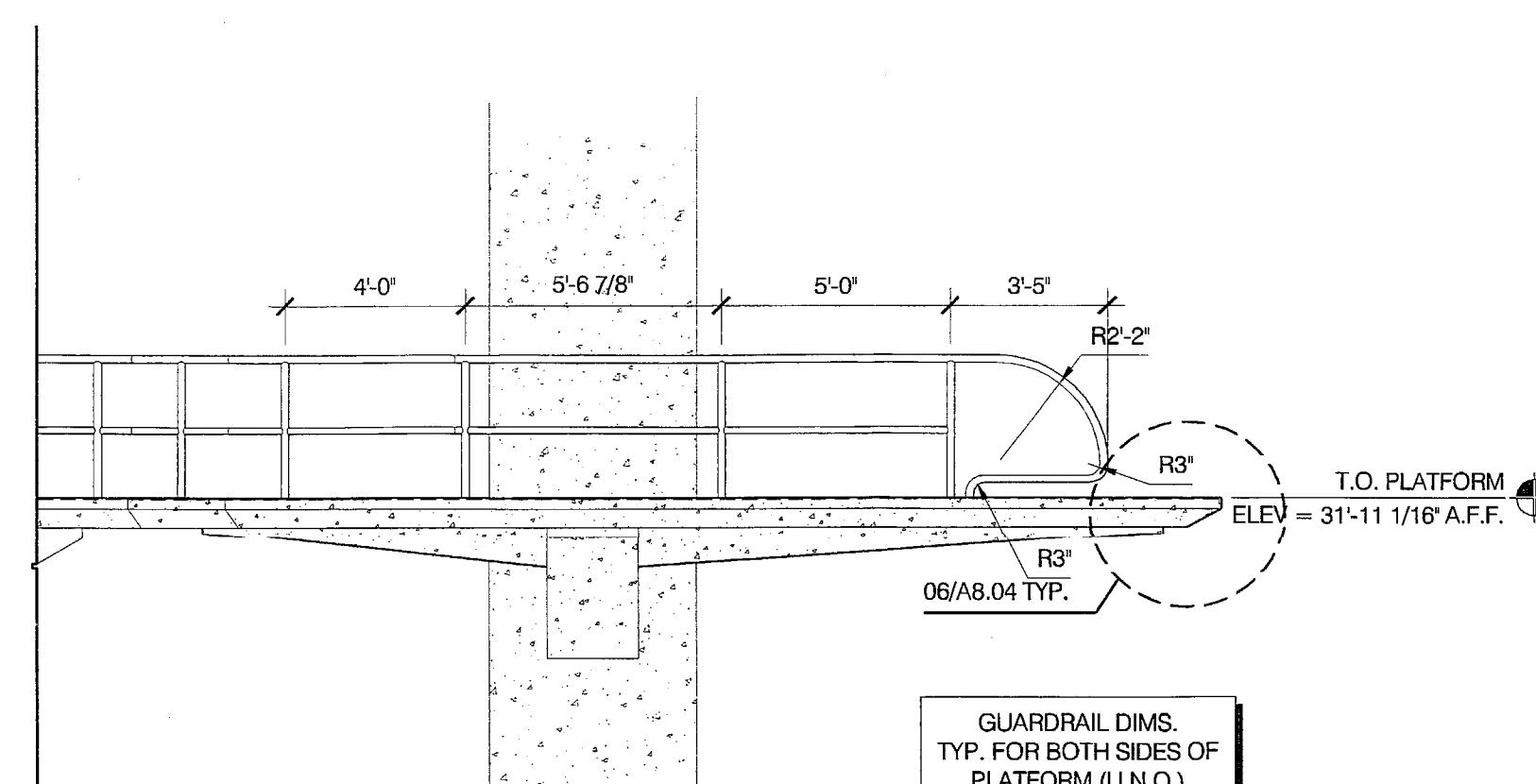
04A DIVING PLATFORM PLAN - 3M SPRINGBOARD

A8.04 1/4" = 1'-0"



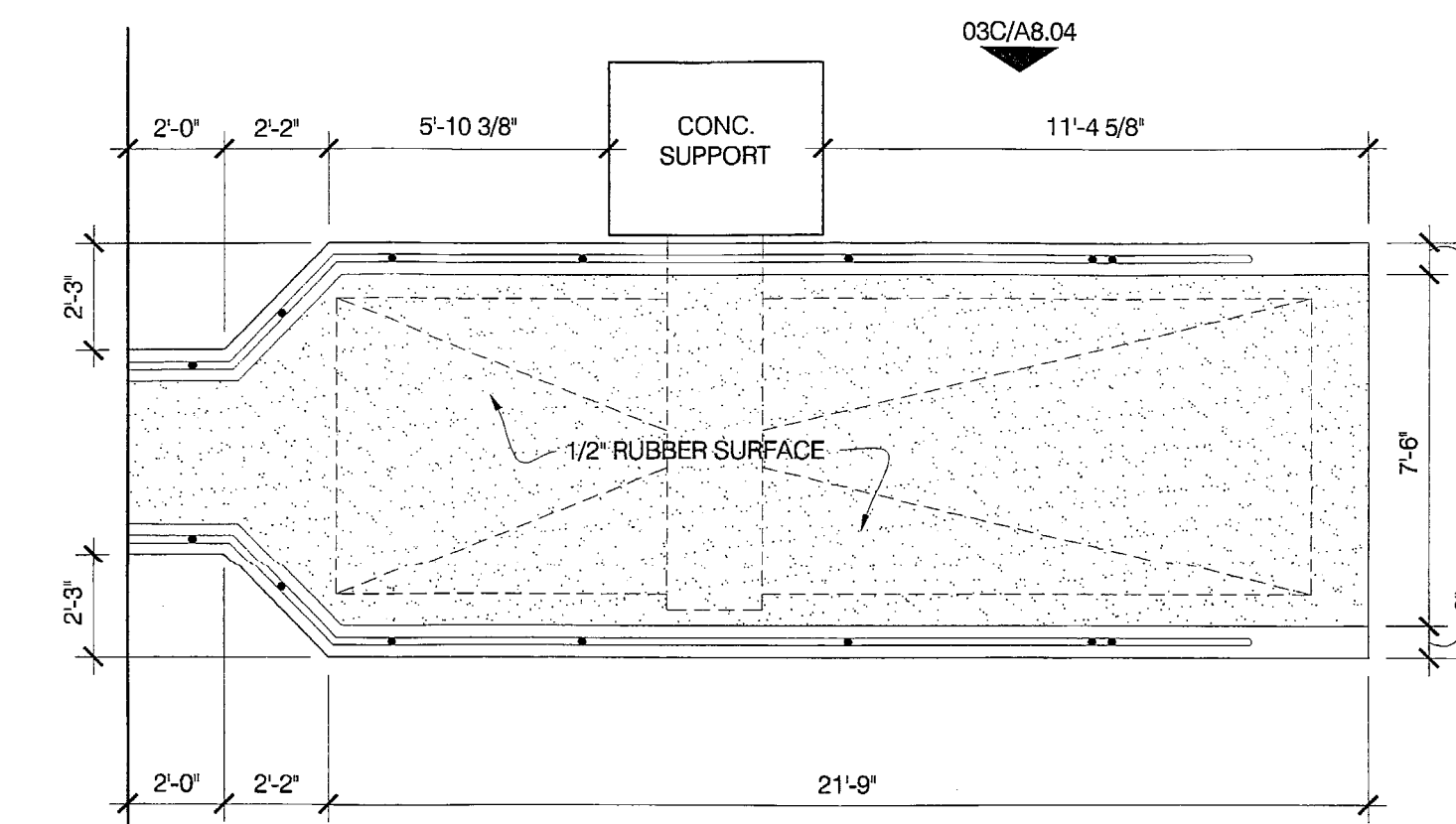
03C DIVING PLATFORM ELEVATION - 10M PLATFORM

A8.04 1/4" = 1'-0"



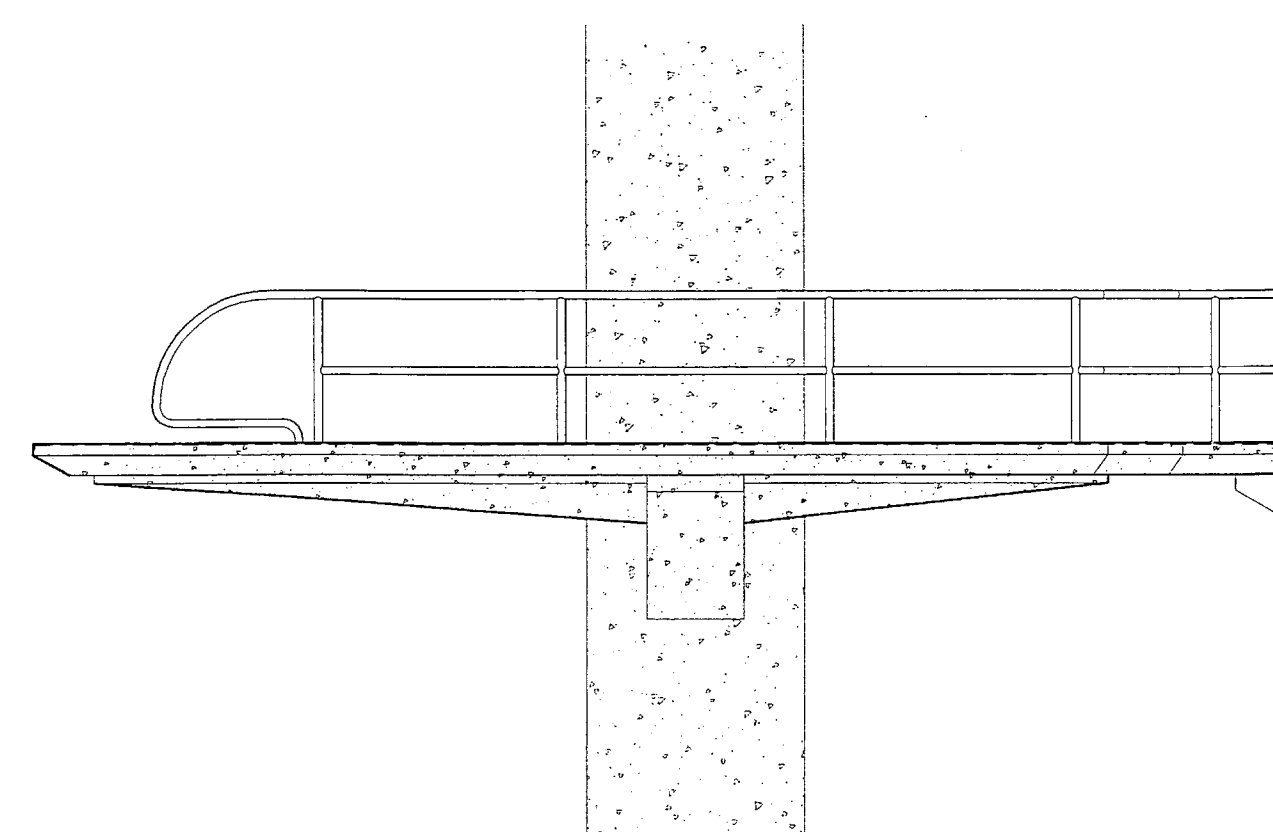
03B DIVING PLATFORM ELEVATION - 10M PLATFORM

A8.04 1/4" = 1'-0"



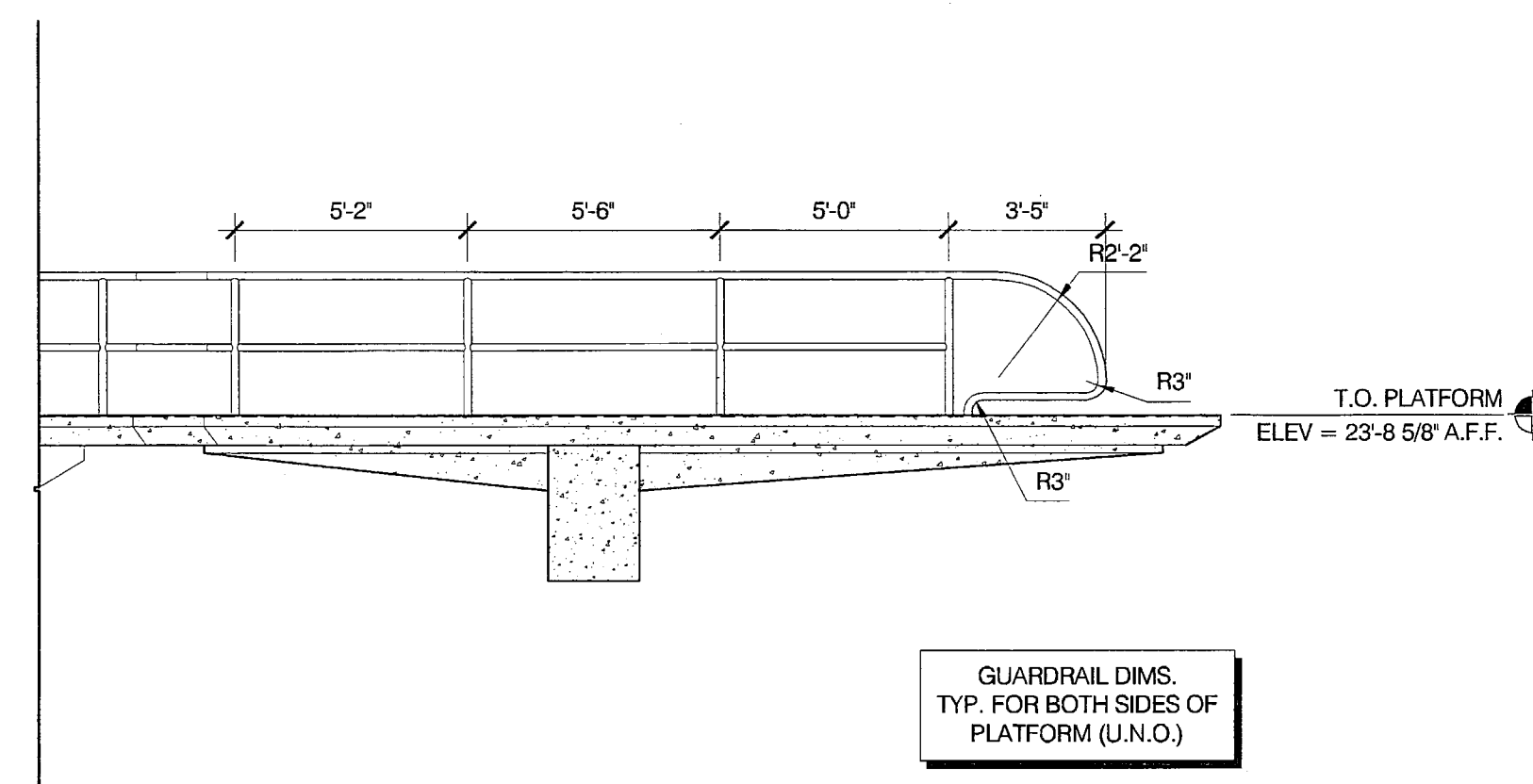
03A DIVING PLATFORM PLAN - 10M PLATFORM

A8.04 1/4" = 1'-0"



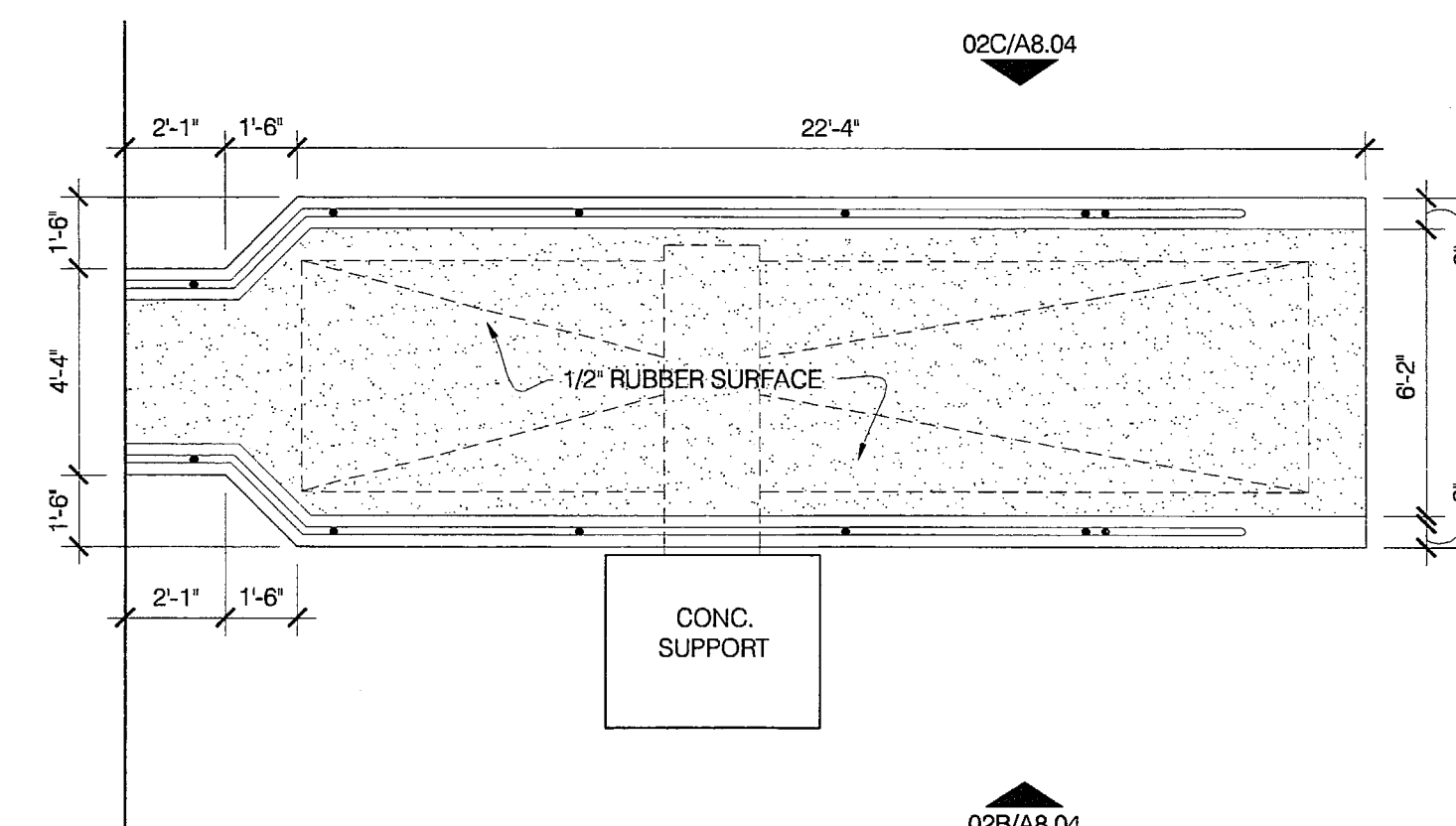
02C DIVING PLATFORM ELEVATION - 7.5M PLATFORM

A8.04 1/4" = 1'-0"



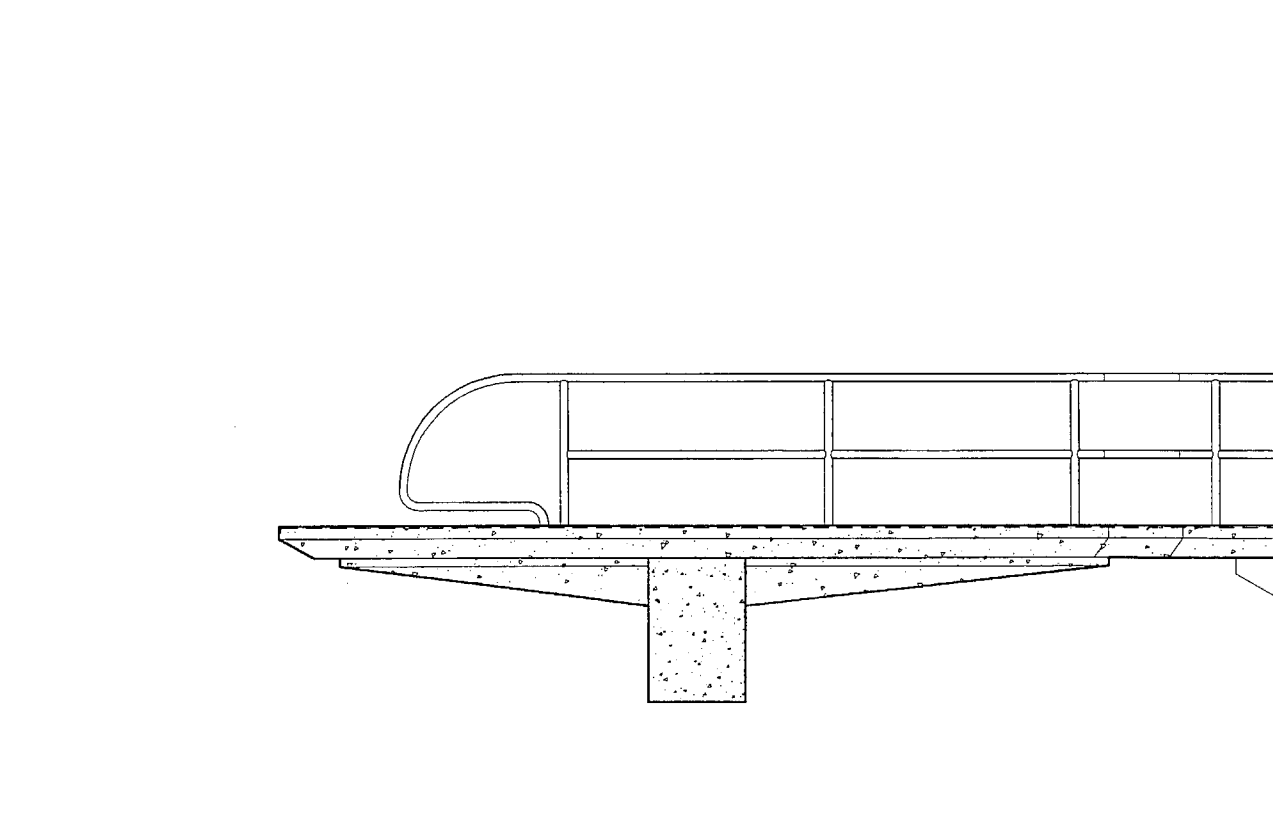
02B DIVING PLATFORM ELEVATION - 7.5M PLATFORM

A8.04 1/4" = 1'-0"



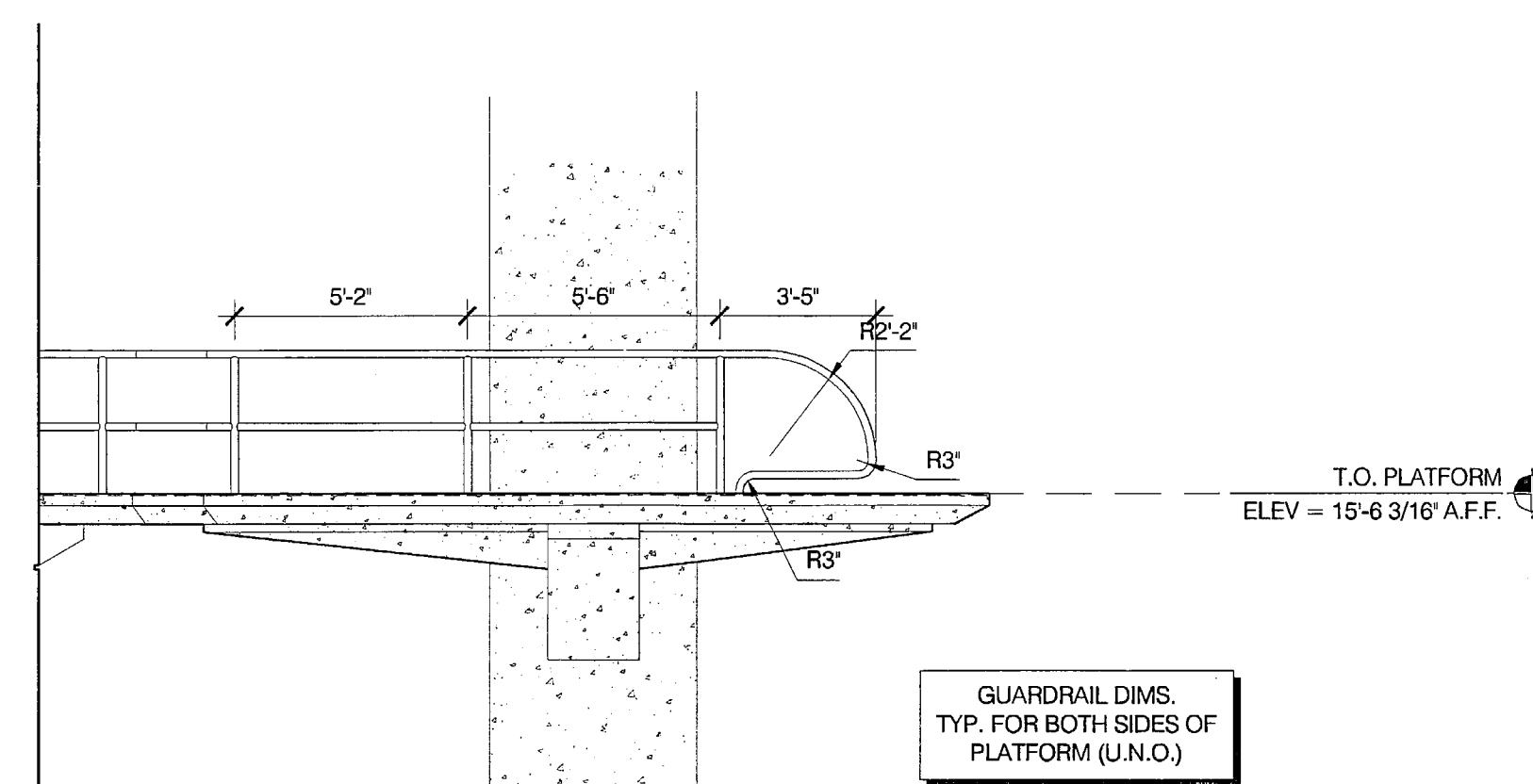
02A DIVING PLATFORM PLAN - 7.5M PLATFORM

A8.04 1/4" = 1'-0"



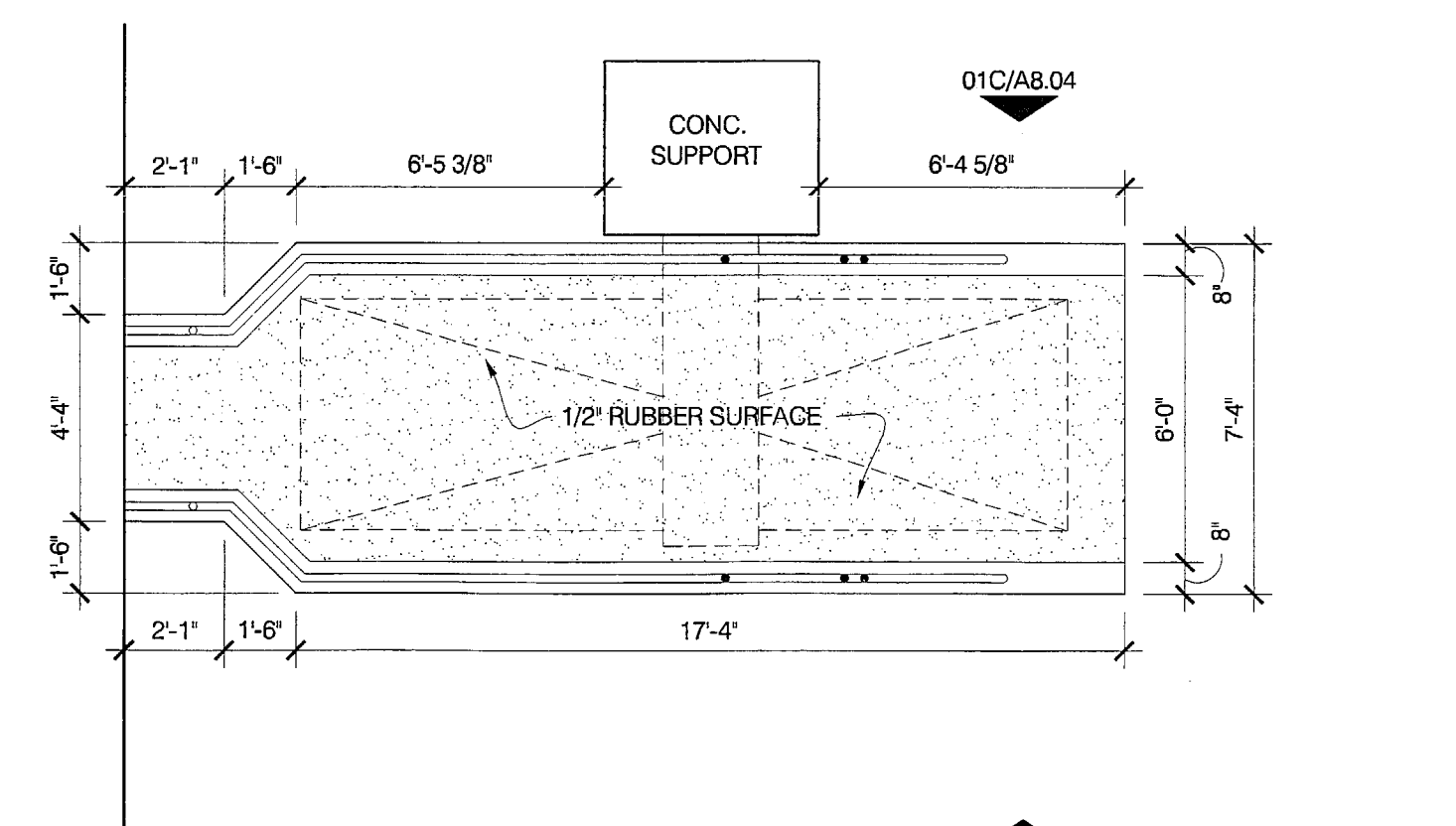
01C DIVING PLATFORM ELEVATION - 5M PLATFORM

A8.04 1/4" = 1'-0"



01B DIVING PLATFORM ELEVATION - 5M PLATFORM

A8.04 1/4" = 1'-0"



01A DIVING PLATFORM PLAN - 5M PLATFORM

A8.04 1/4" = 1'-0"



CERTIFICATION
CONSTRUCTION DOCUMENTS

CARDINAL PARK NATATORIUM

UNIVERSITY OF LOUISVILLE

Project: 03006
Drawn: D. MCCLOSKEY
Checked: J. LINDSTAEDT
Scale:
Issue Date: AUGUST 27, 2003
Revision:

DIVING PLATFORMS

A8.04