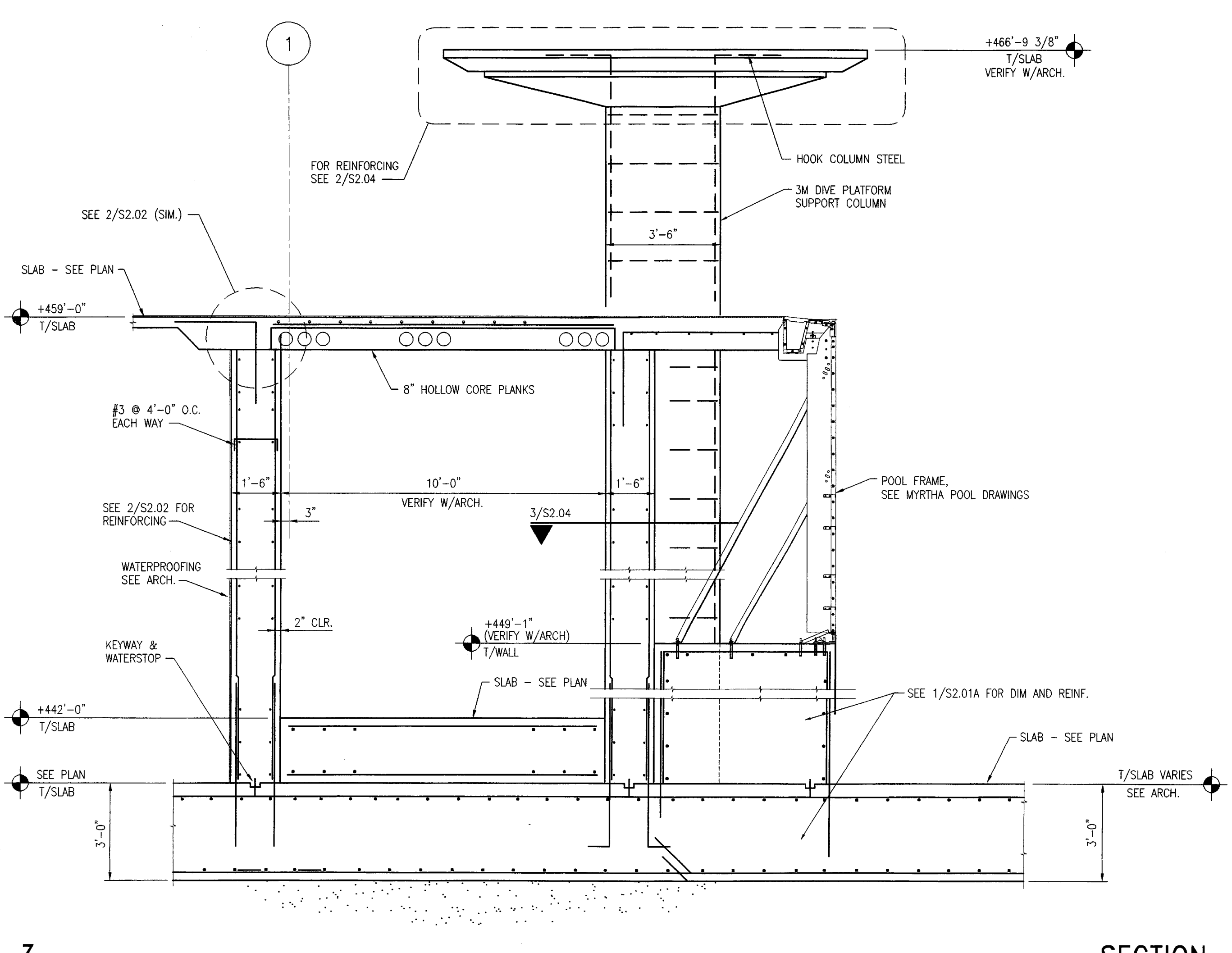
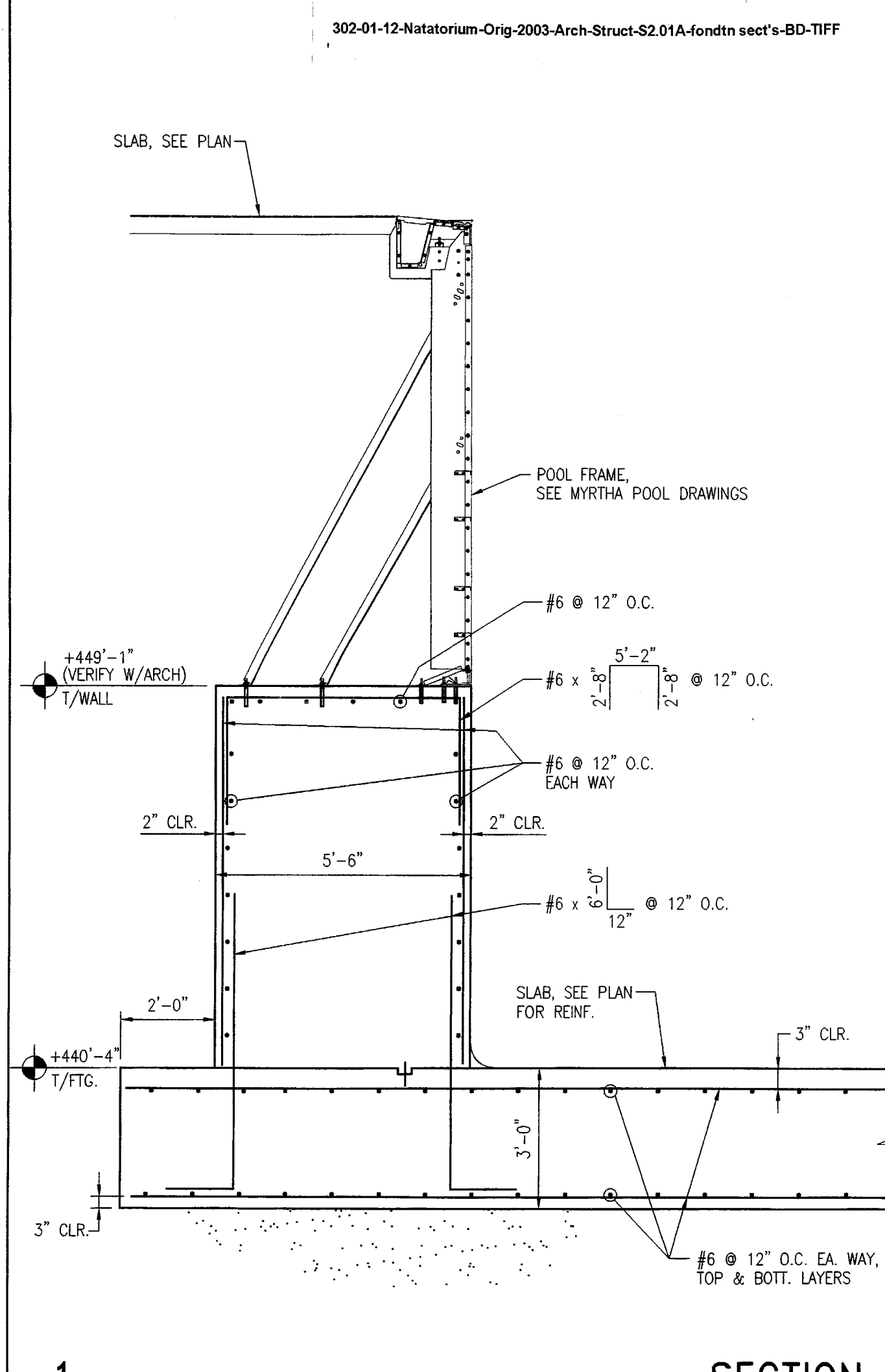


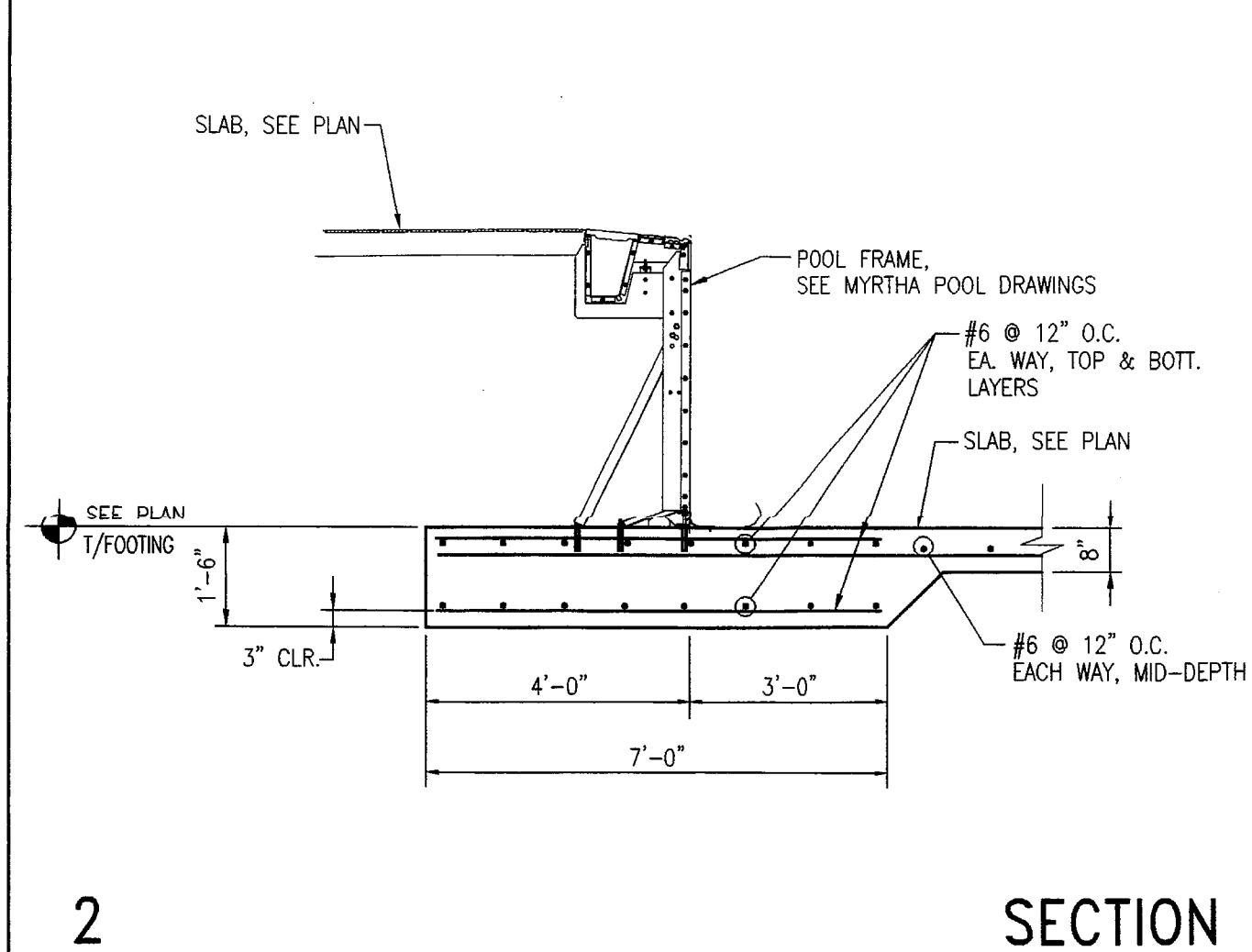
4 SECTION
SCALE: 1/2"=1'-0"



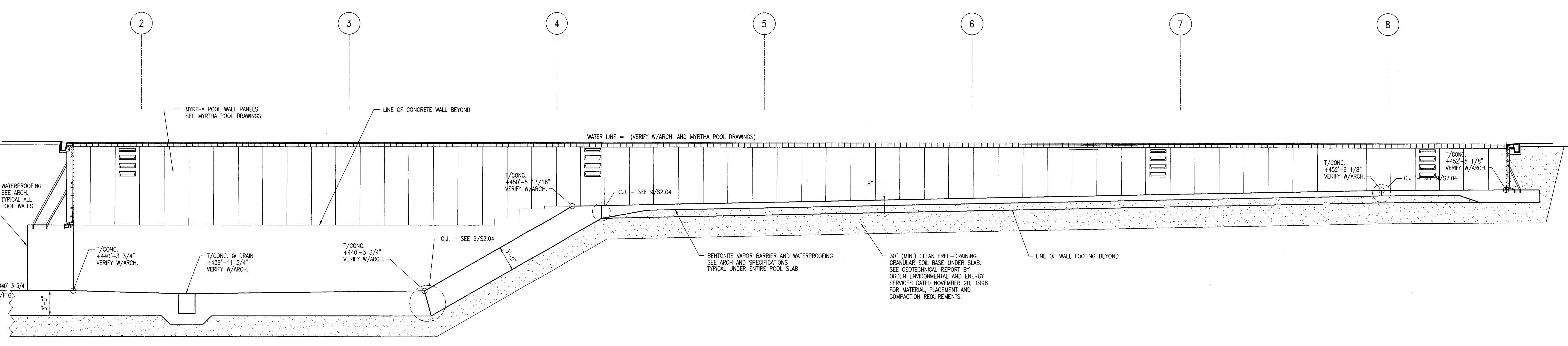
3 SECTION
SCALE: 3/8"=1'-0"



1 SECTION
SCALE: 3/8"=1'-0"



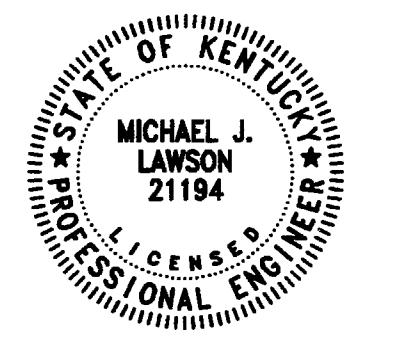
2 SECTION
SCALE: 3/8"=1'-0"



5 LONGITUDINAL SECTION THRU POOL
SCALE: 3/16"=1'-0"

THIS POOL TO BE AN
ALTERNATE

BROWNING DAY MULLINS DIERDORF ARCHITECTS
Browning Day Mullins Dierdorf Architects
Architecture
Landscape Architecture
Planning
334 North Senate Avenue
Indianapolis, Indiana 46204
P: 317.635.5030
F: 317.634.5409
E-Mail: jindstaeche@bdmz.com
Circle Design Group, Inc.
Mechanical Electrical Plumbing Engineers
5510 South East Street, Suite F
Indianapolis, Indiana 46227
P: 317.781.6200
F: 317.781.6201
E-Mail: kerry@circledesigngroup.com
Lawson Elser Engineering Consultants
Structural Engineers
650 East Carmel Drive, Suite 150
Carmel, Indiana 46032
P: 317.574.9409
F: 317.674.9431
E-Mail: mlawson@lawsonelser.com
Skees Engineering, Inc.
Civil Engineers
400 Blankenshaker Parkway, Suite 300
Louisville, KY 40243
P: 502.254.2344
F: 502.254.3008
E-Mail: dmckinnon@skees.com



Michael J. Lawson

CERTIFICATION
CONSTRUCTION DOCUMENTS

CARDINAL PARK NATATORIUM

UNIVERSITY OF LOUISVILLE

Project: 03006
Drawn: TJR
Checked: MJL
Scale: AS NOTED
Issue Date: AUGUST 27, 2003
Revision: Δ APPENDIX NO. 2 10-07-03
REVISED SET: 9/S2.01A

FOUNDATION SECTIONS
MYRTHA POOL ALT.

S2.01A
OFFICIAL BID DOCUMENT