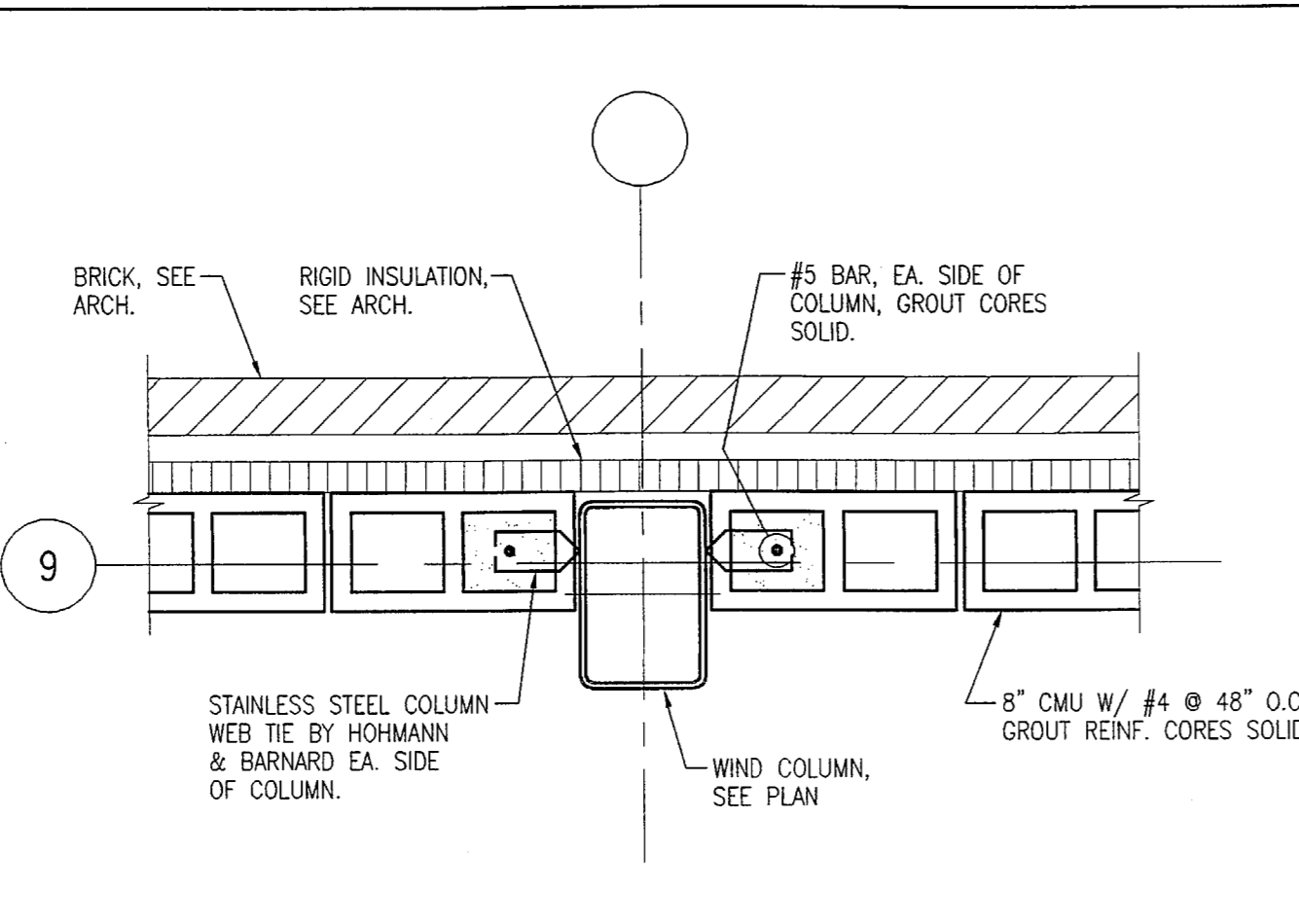
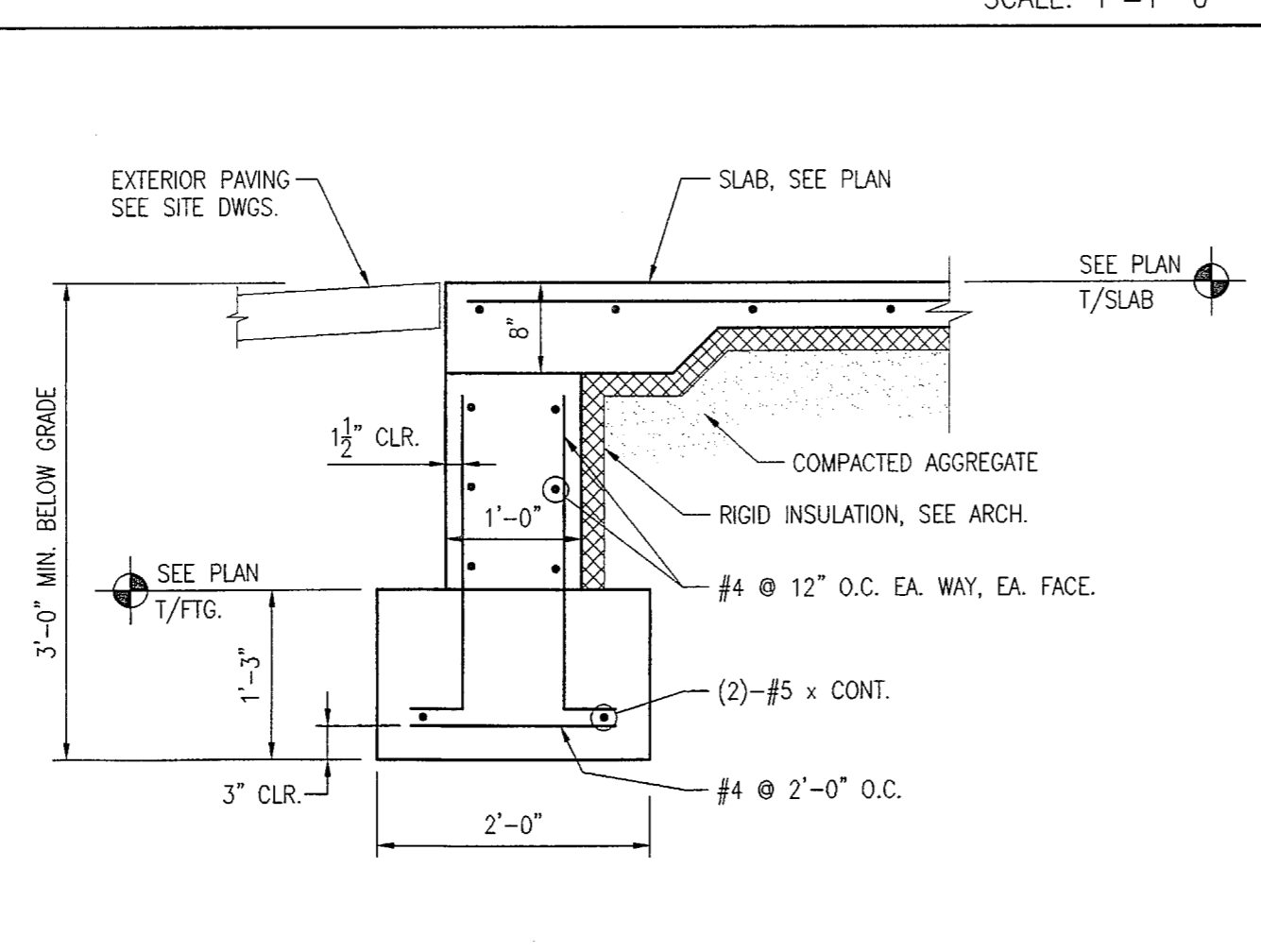


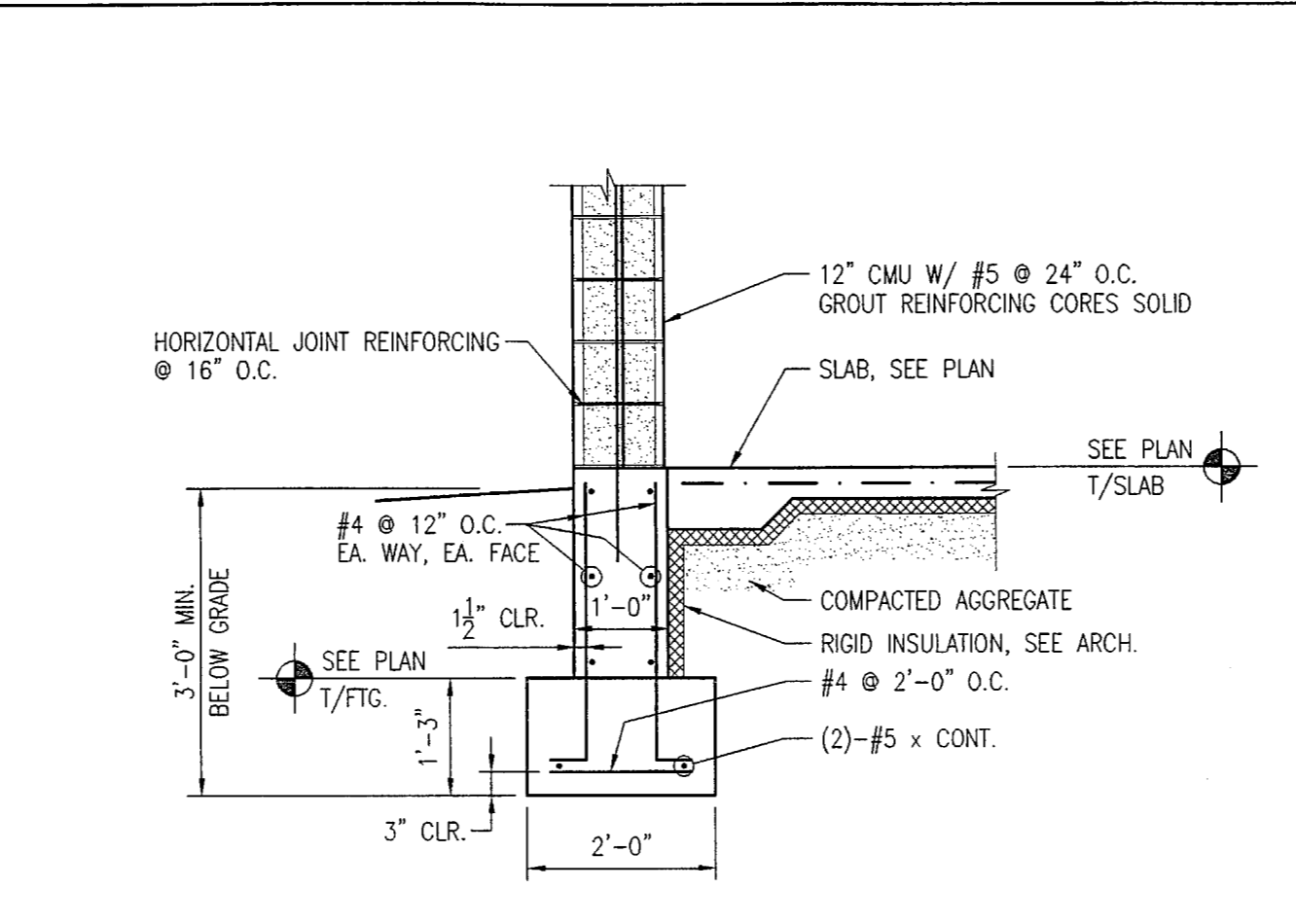
16 ELEVATION SCALE: 3/16"=1'-0"



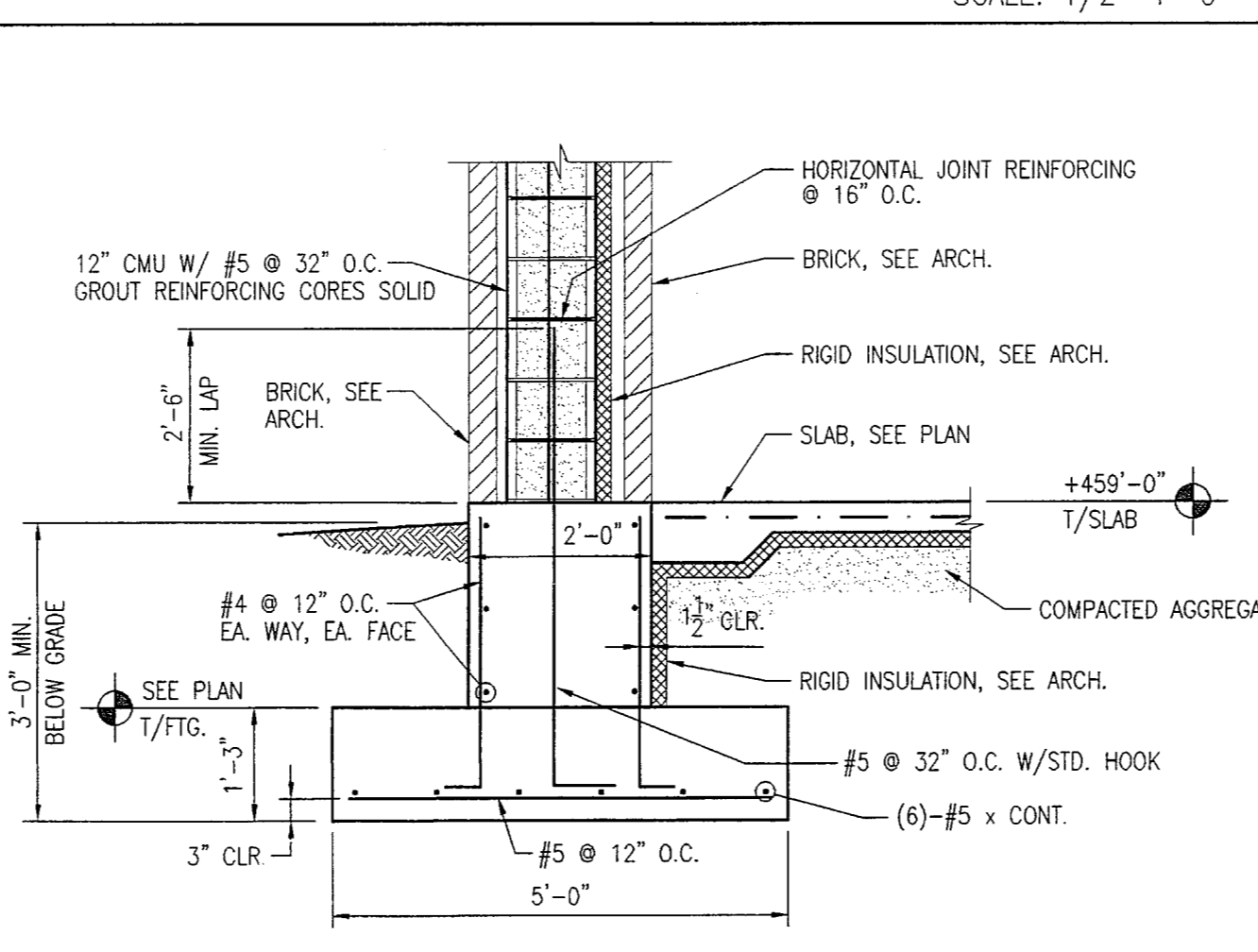
13 SECTION SCALE: 1"=1'-0"



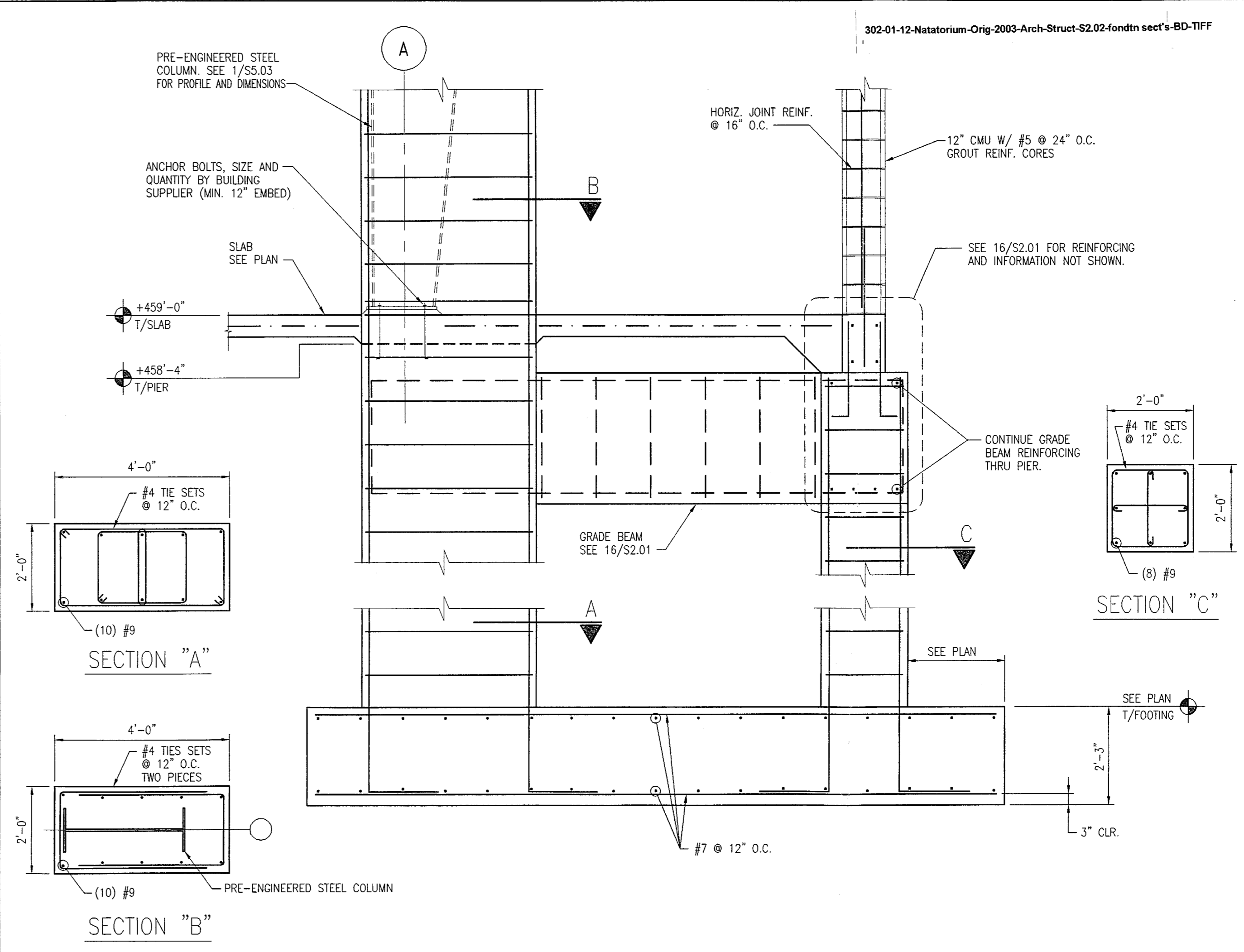
14 SECTION SCALE: 3/4"=1'-0"



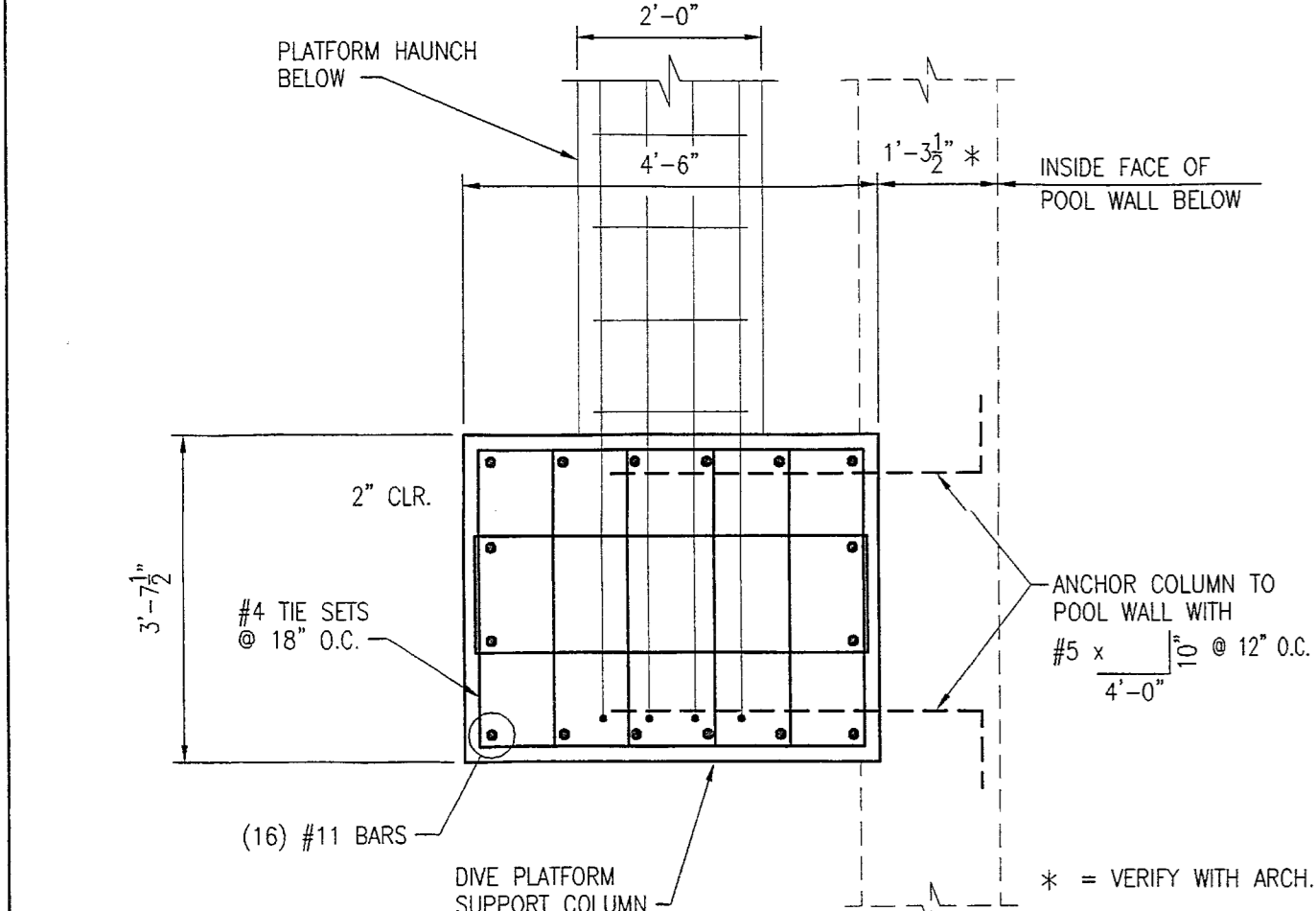
8 SECTION SCALE: 1/2"=1'-0"



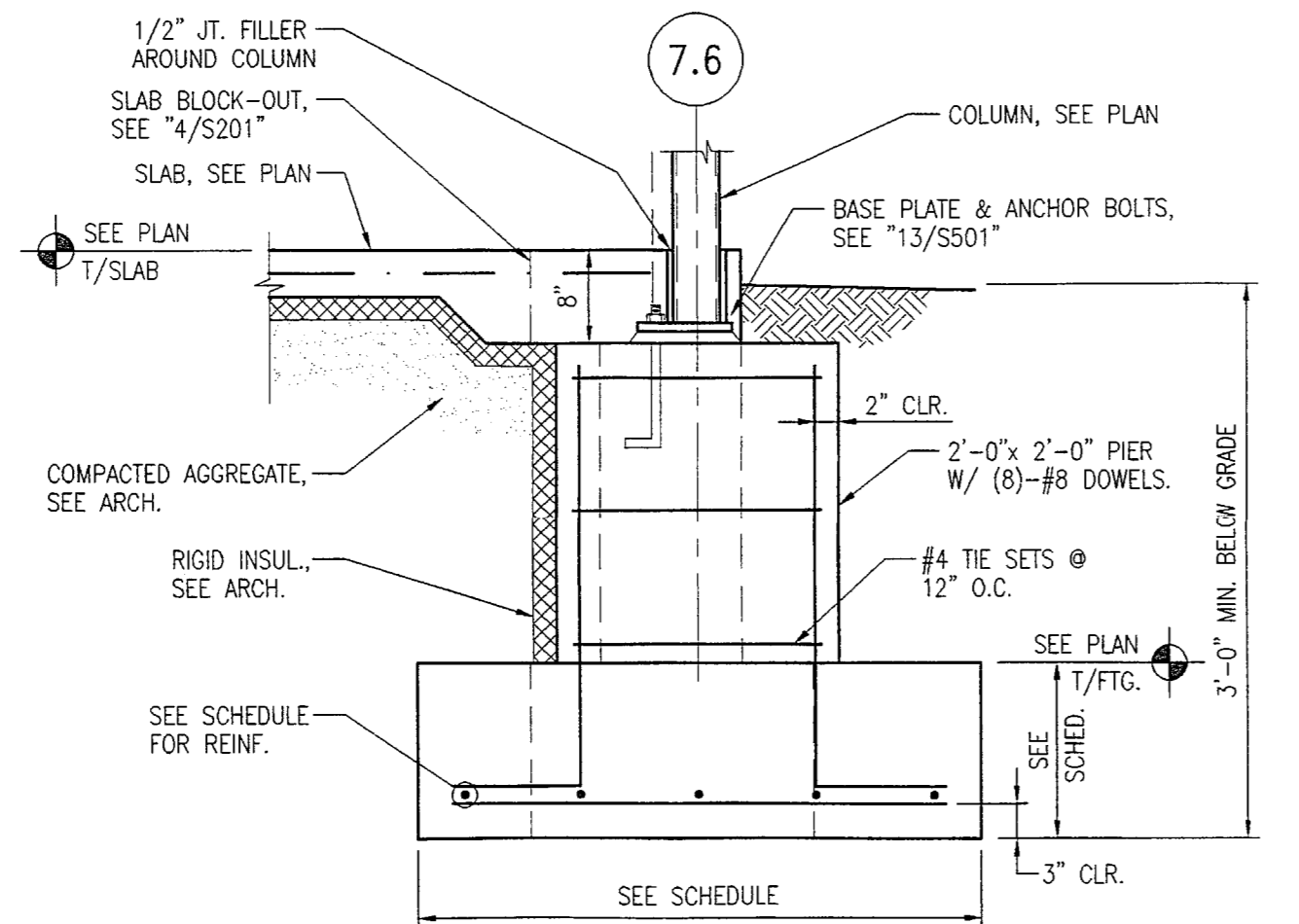
9 SECTION SCALE: 1/2"=1'-0"



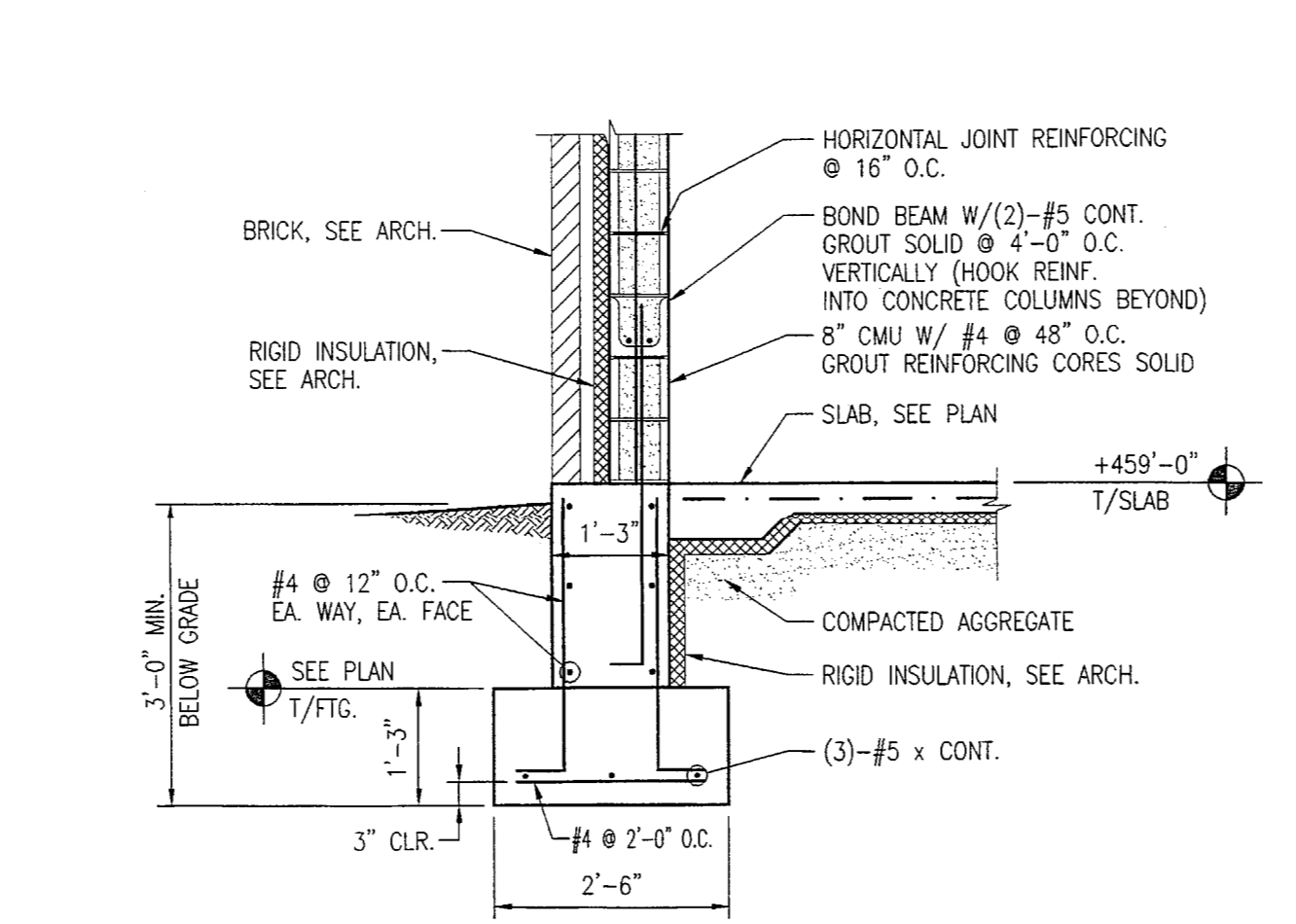
1 SECTION SCALE: 1/2"=1'-0"



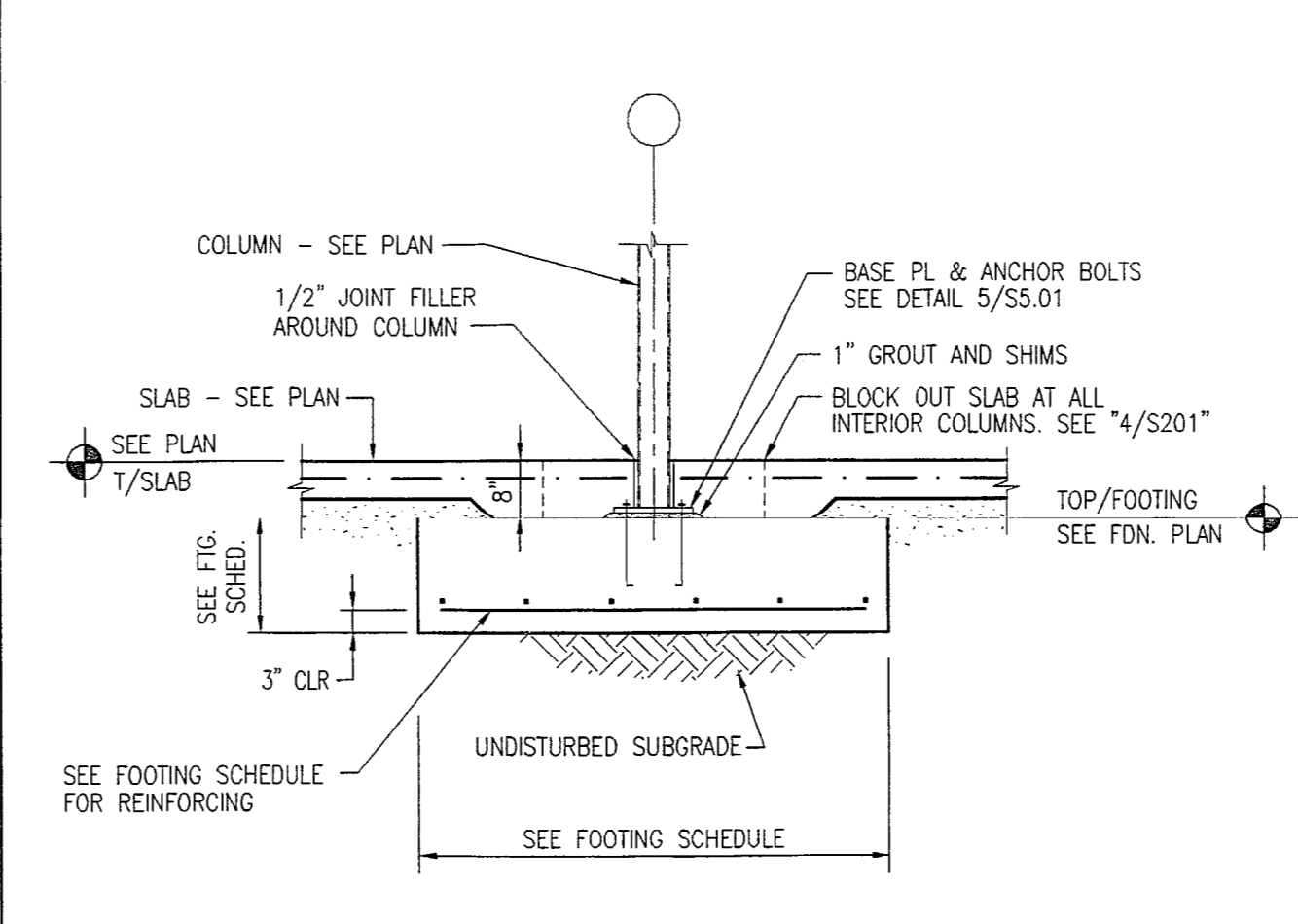
17 SECTION SCALE: 1/2"=1'-0"



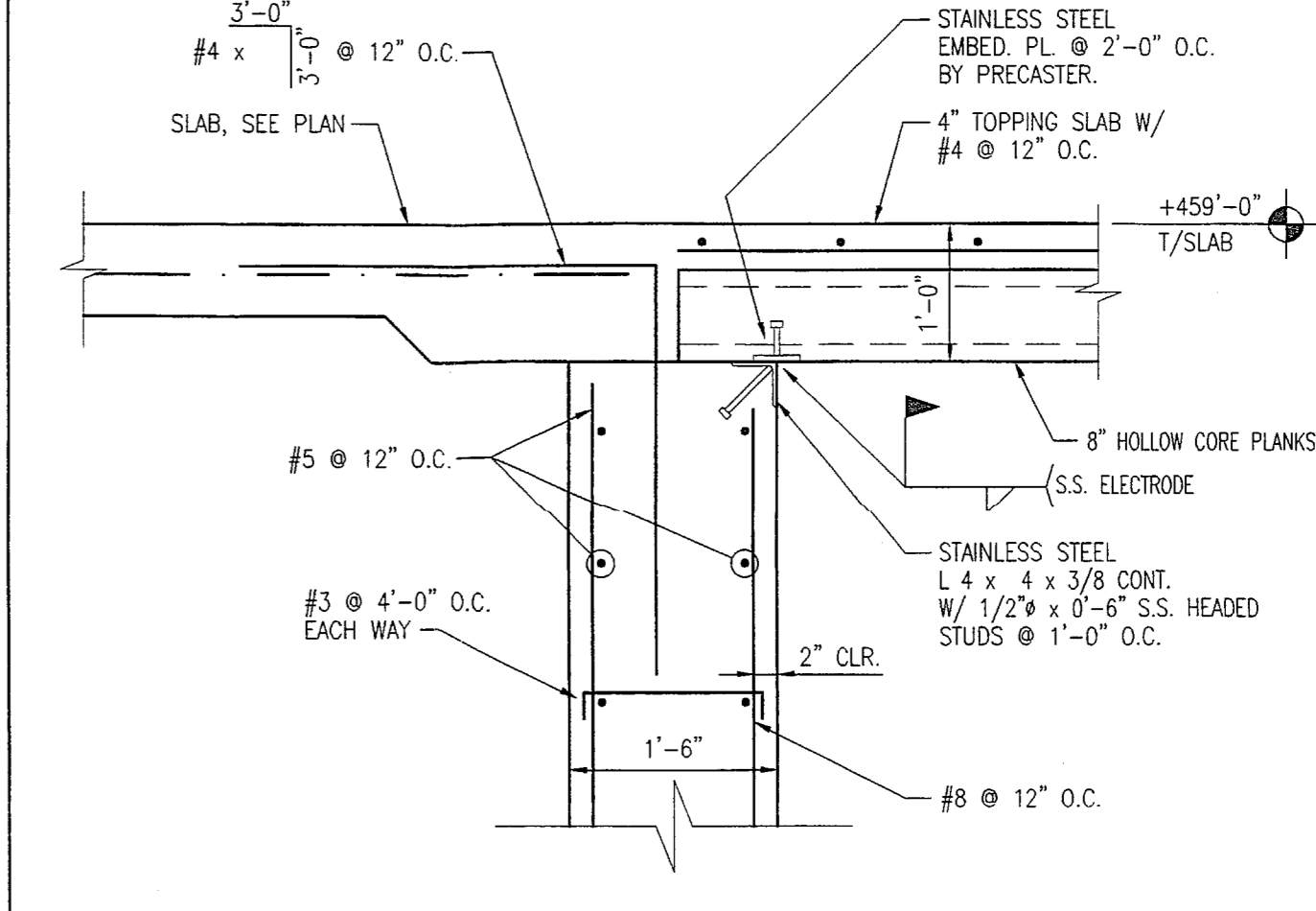
15 SECTION SCALE: 3/4"=1'-0"



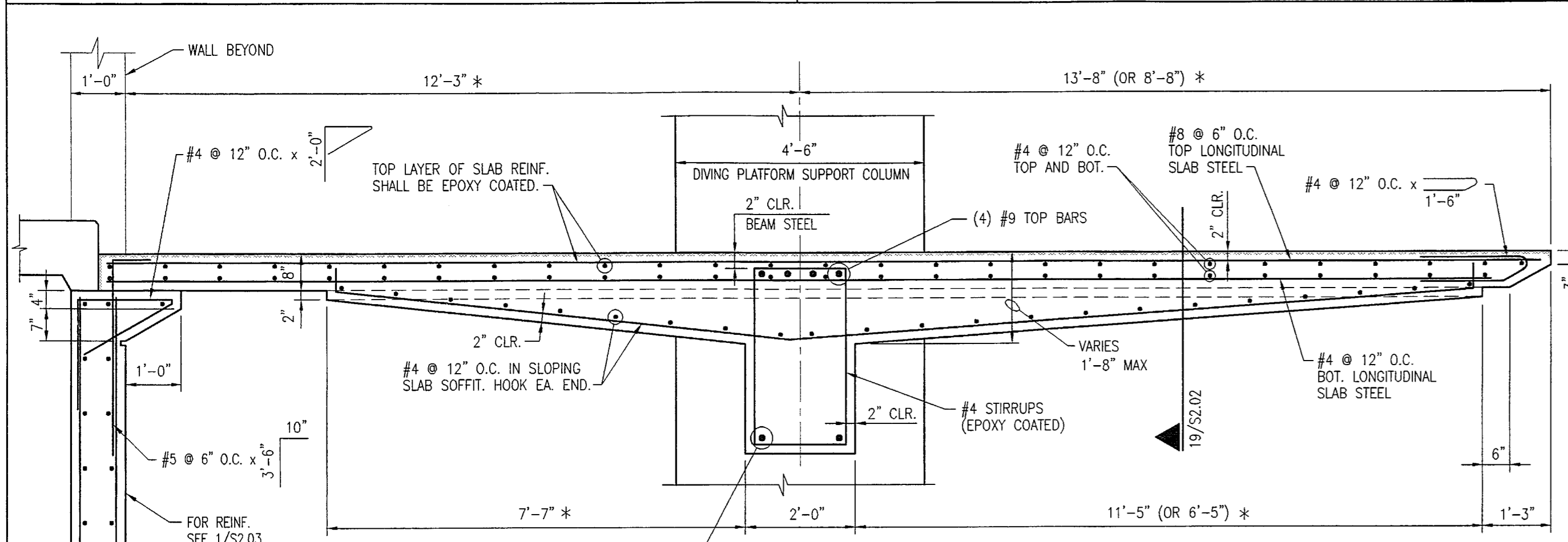
10 SECTION SCALE: 1/2"=1'-0"



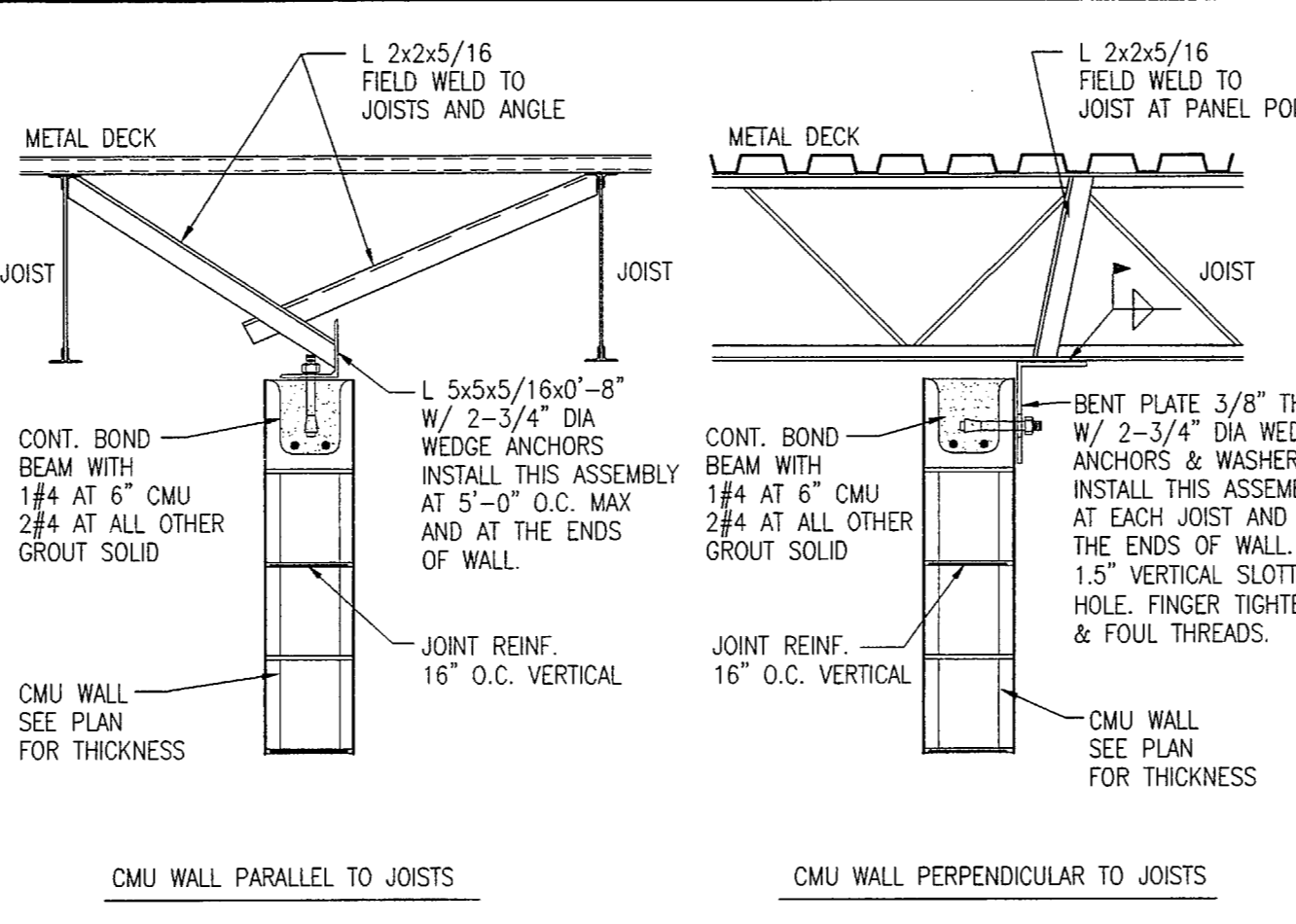
5 TYPICAL FOOTING DETAIL SCALE: 1/2"=1'-0"



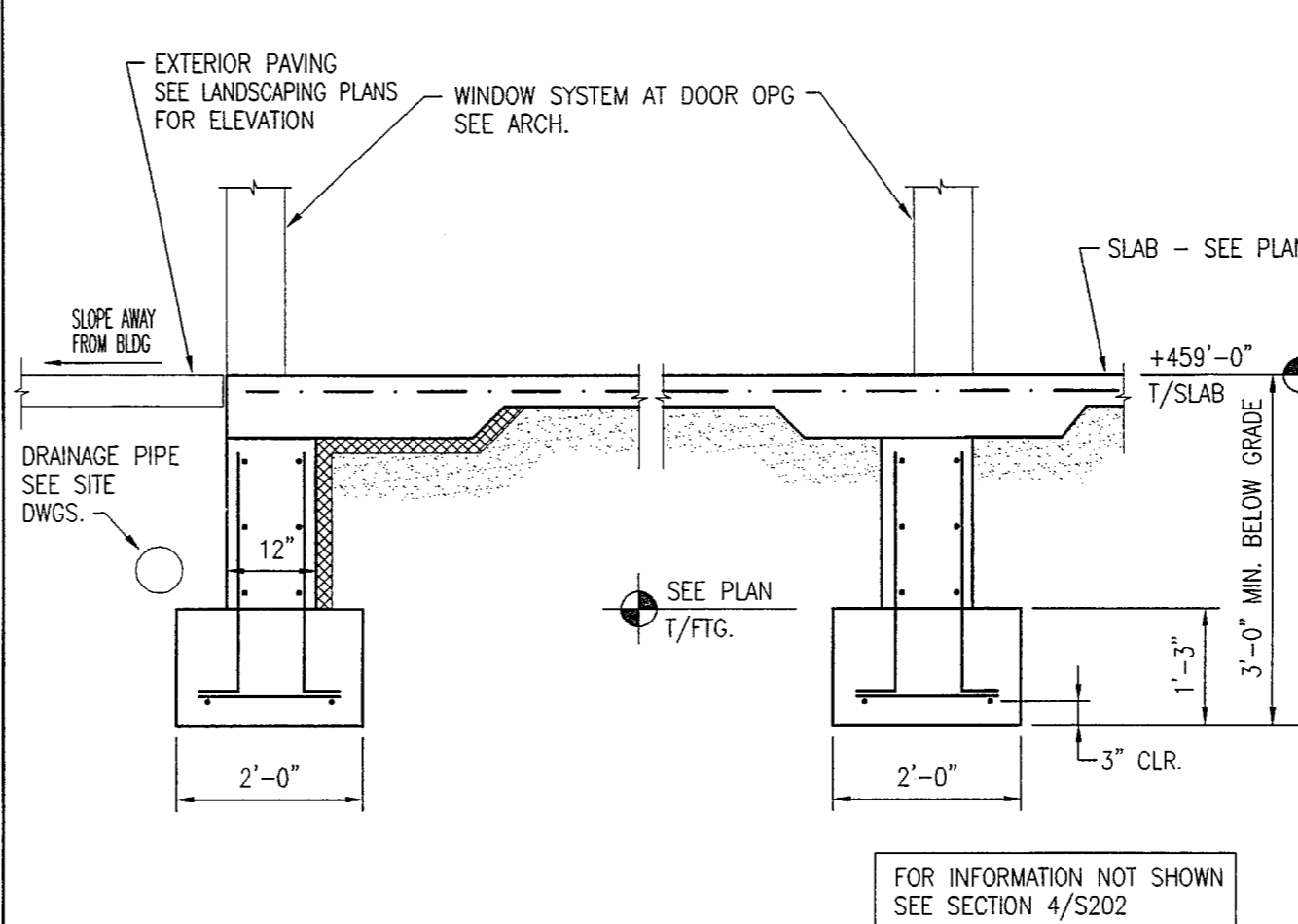
2 SECTION SCALE: 3/4"=1'-0"



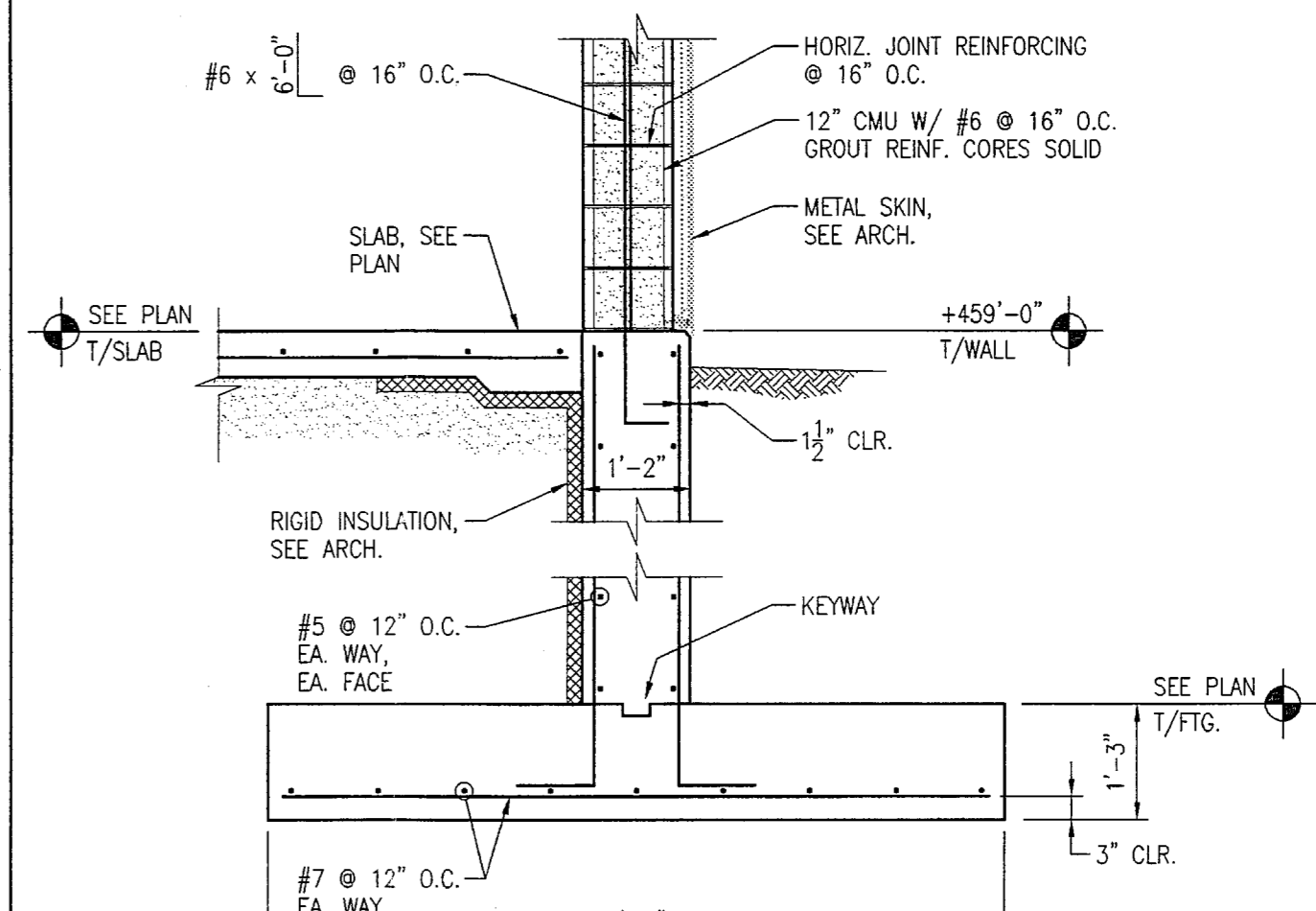
18 DETAIL SCALE: 1/2"=1'-0"



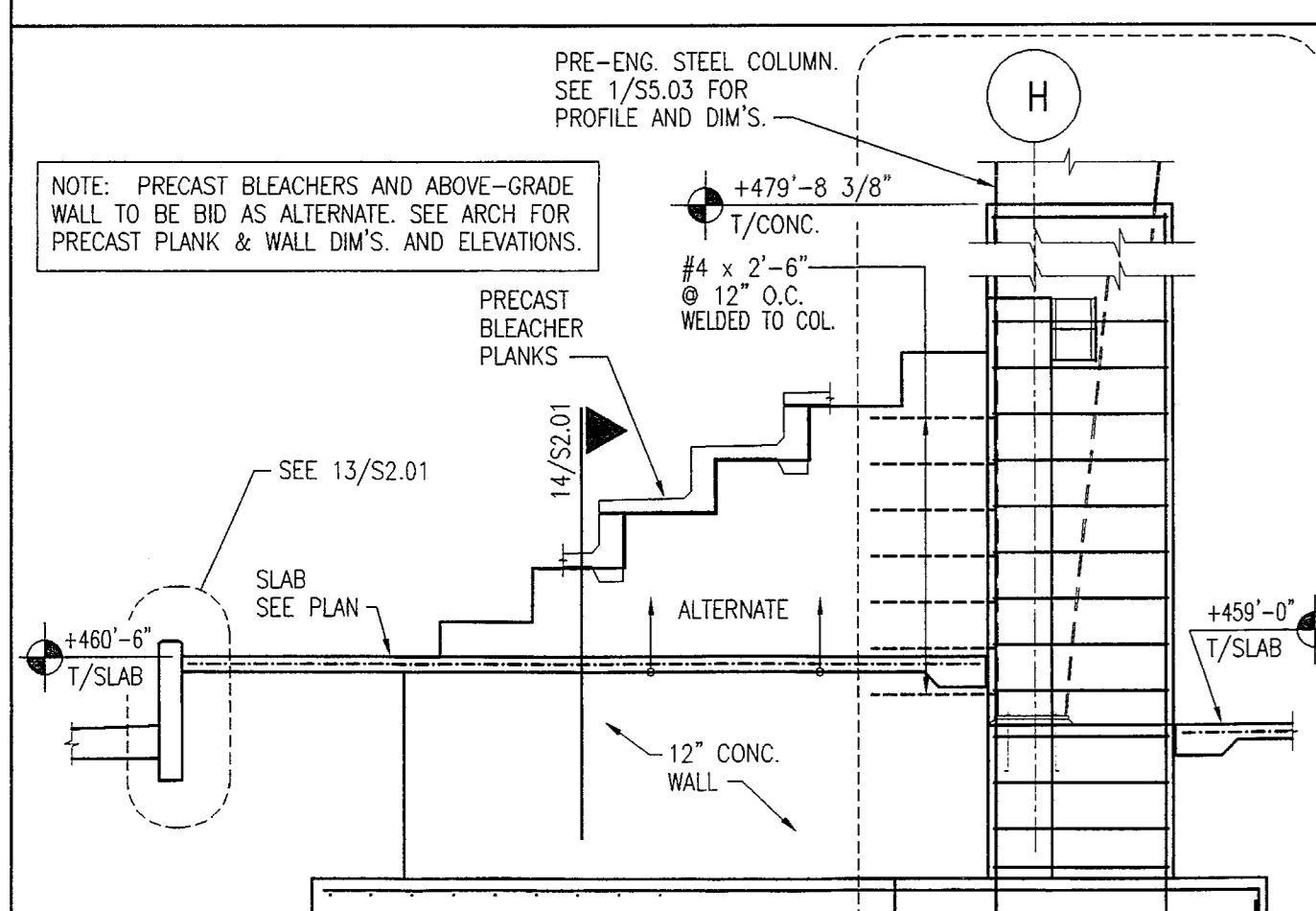
11 TYPICAL CMU WALL BRACING SCALE: 3/4"=1'-0"



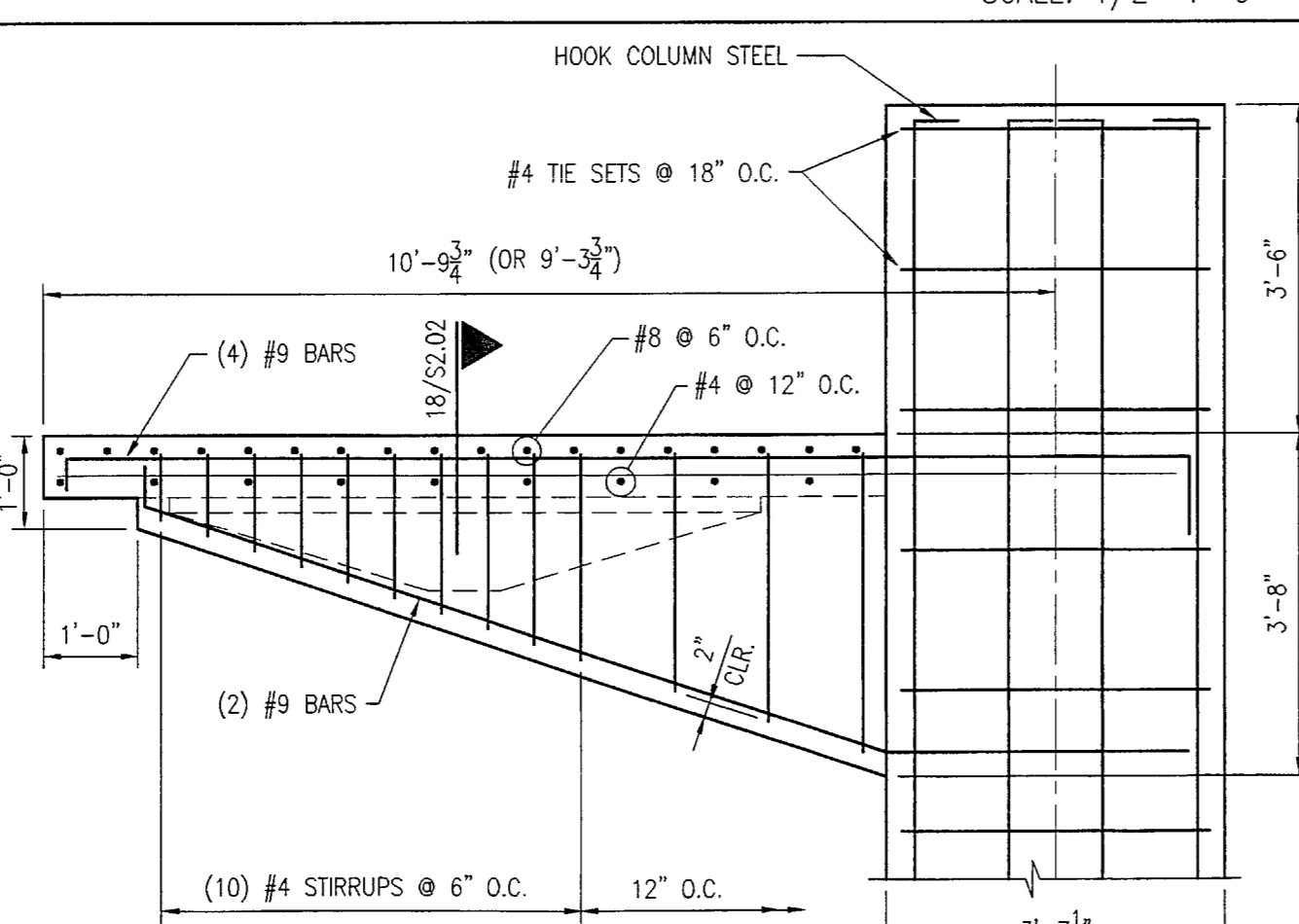
6 SECTION SCALE: 1/2"=1'-0"



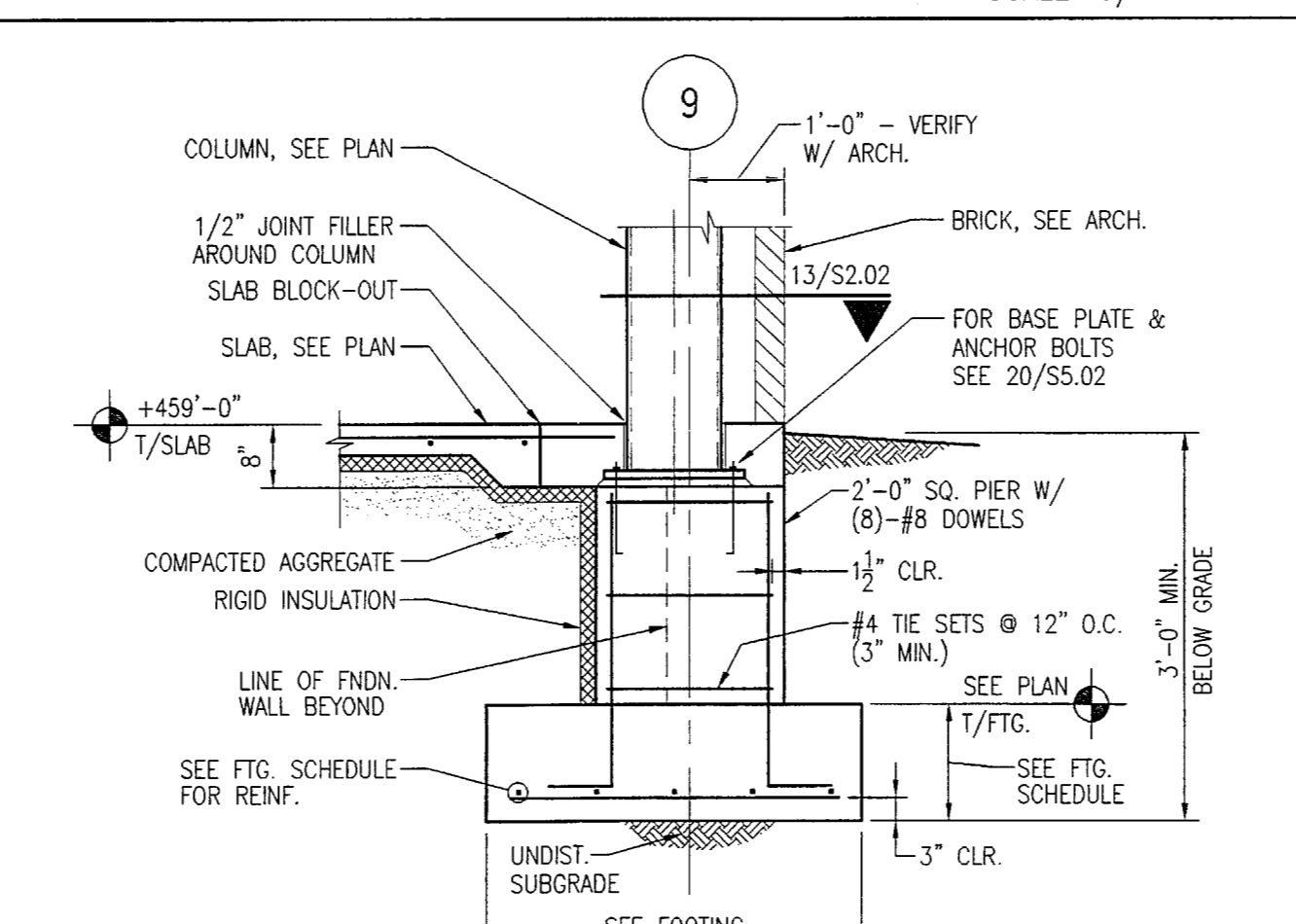
3 SECTION SCALE: 1/2"=1'-0"



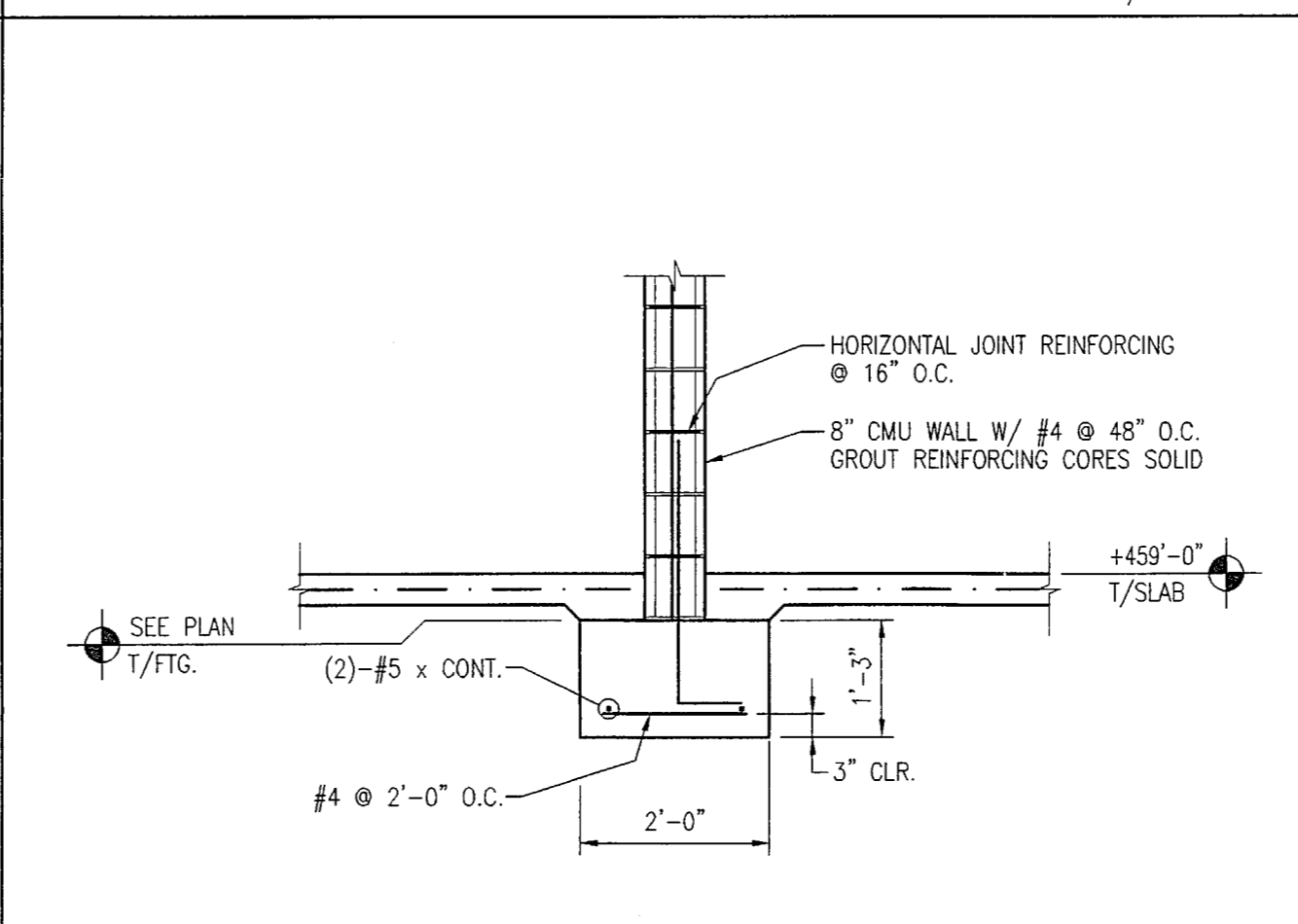
20 SECTION SCALE: 1/4"=1'-0"



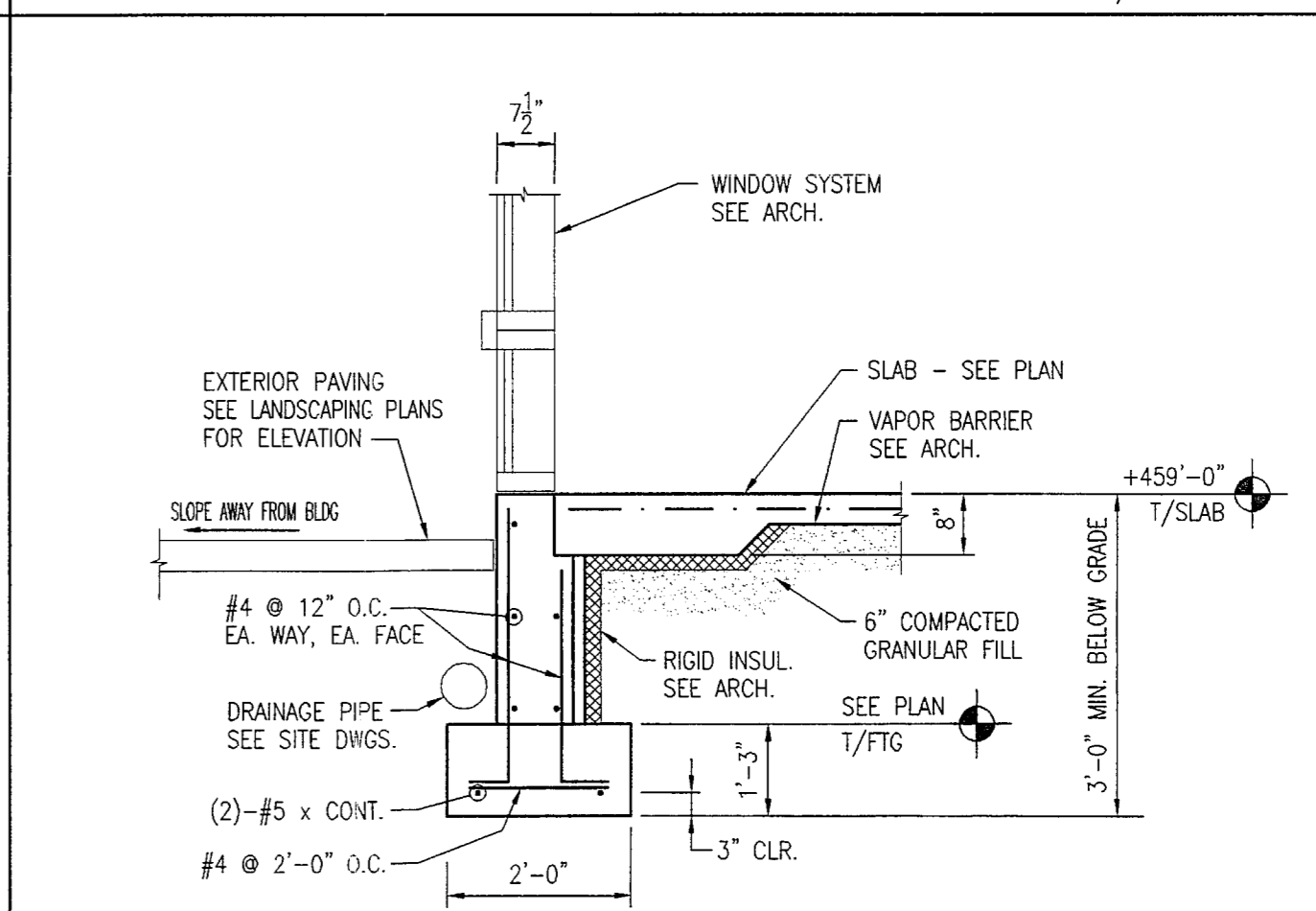
19 SECTION SCALE: 1/2"=1'-0"



12 SECTION SCALE: 1/2"=1'-0"



7 SECTION SCALE: 1/2"=1'-0"



4 SECTION SCALE: 1/2"=1'-0"

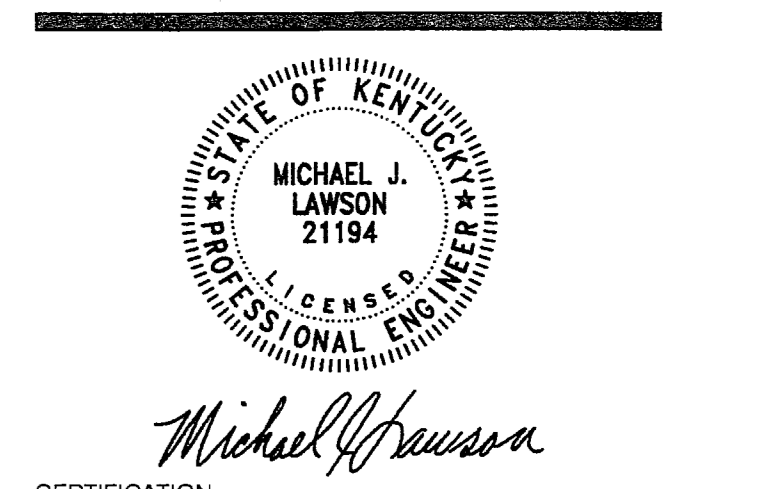
**BROWNING DAY MULLINS DIERDORF ARCHITECTS**  
 Browning Day Mullins Dierdorf Architects  
 Landscape Architecture  
 Planning

334 North Seneca Avenue  
 Indianapolis, Indiana 46204  
 P: 317 635 5030  
 F: 317 781 6200  
 E-Mail: jms@bdaym.com

Circle Design Group, Inc.  
 Mechanical Electrical Plumbing Engineers  
 5510 South East Street, Suite F  
 Indianapolis, Indiana 46227  
 P: 317 574 9409  
 F: 317 781 6801  
 E-Mail: kerry@circledesigngroup.com

Lawson Elser Engineering Consultants  
 Structural Engineers  
 850 East Carmel Drive, Suite 150  
 Carmel, Indiana 46032  
 P: 317 574 9409  
 F: 317 574 9431  
 E-Mail: mlawson@lawsonelser.com

Skees Engineering, Inc.  
 Civil Engineers  
 400 Blankenship Parkway, Suite 300  
 Louisville, KY 40243  
 P: 502 254 2344  
 F: 502 254 3009  
 E-Mail: dmckinnon@skees.com



CERTIFICATION  
**CONSTRUCTION DOCUMENTS**

**CARDINAL PARK NATATORIUM**

**UNIVERSITY OF LOUISVILLE**

Project: 03005  
 Drawn: TJR  
 Checked: M.L. AS NOTED  
 Issue Date: AUGUST 27, 2003  
 Revision:

**FOUNDATION SECTIONS**

**S2.02**