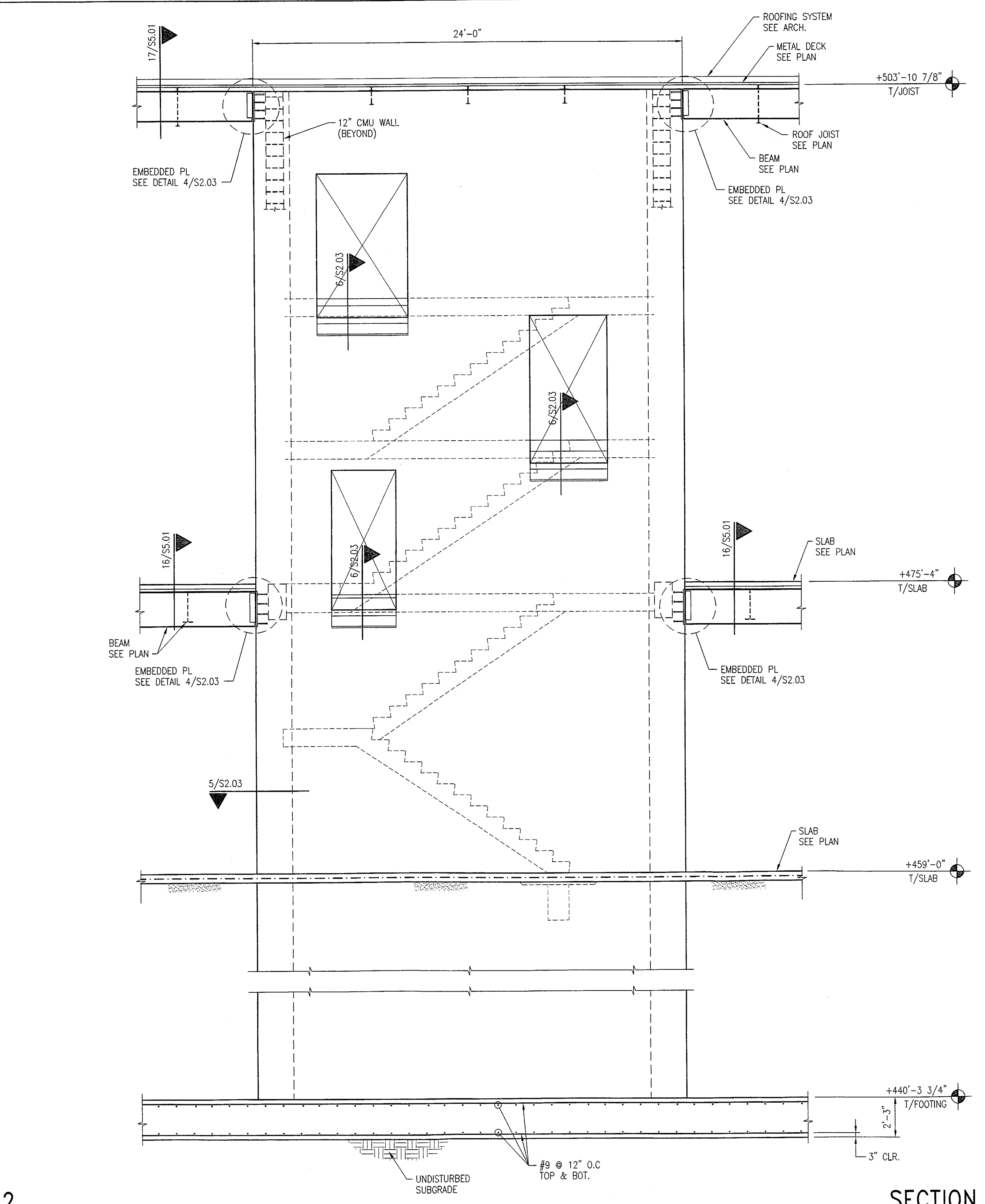
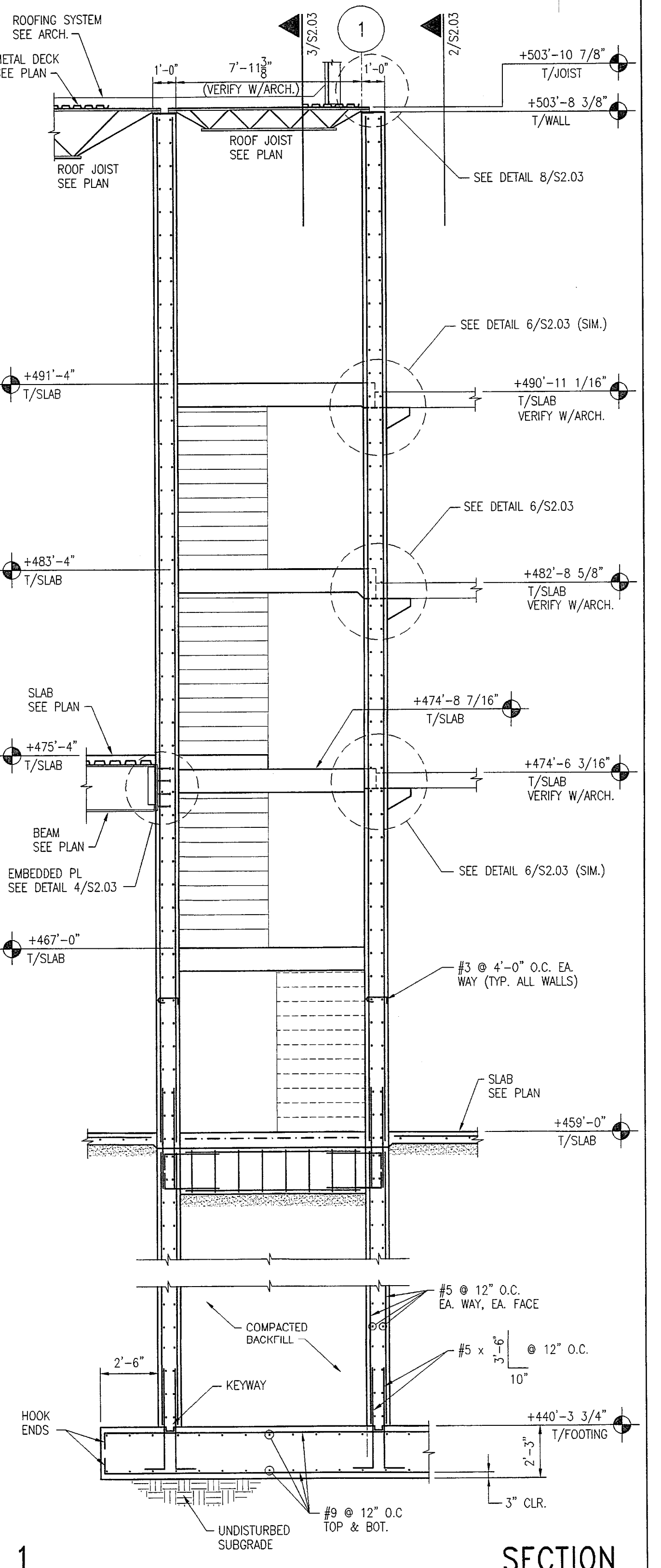


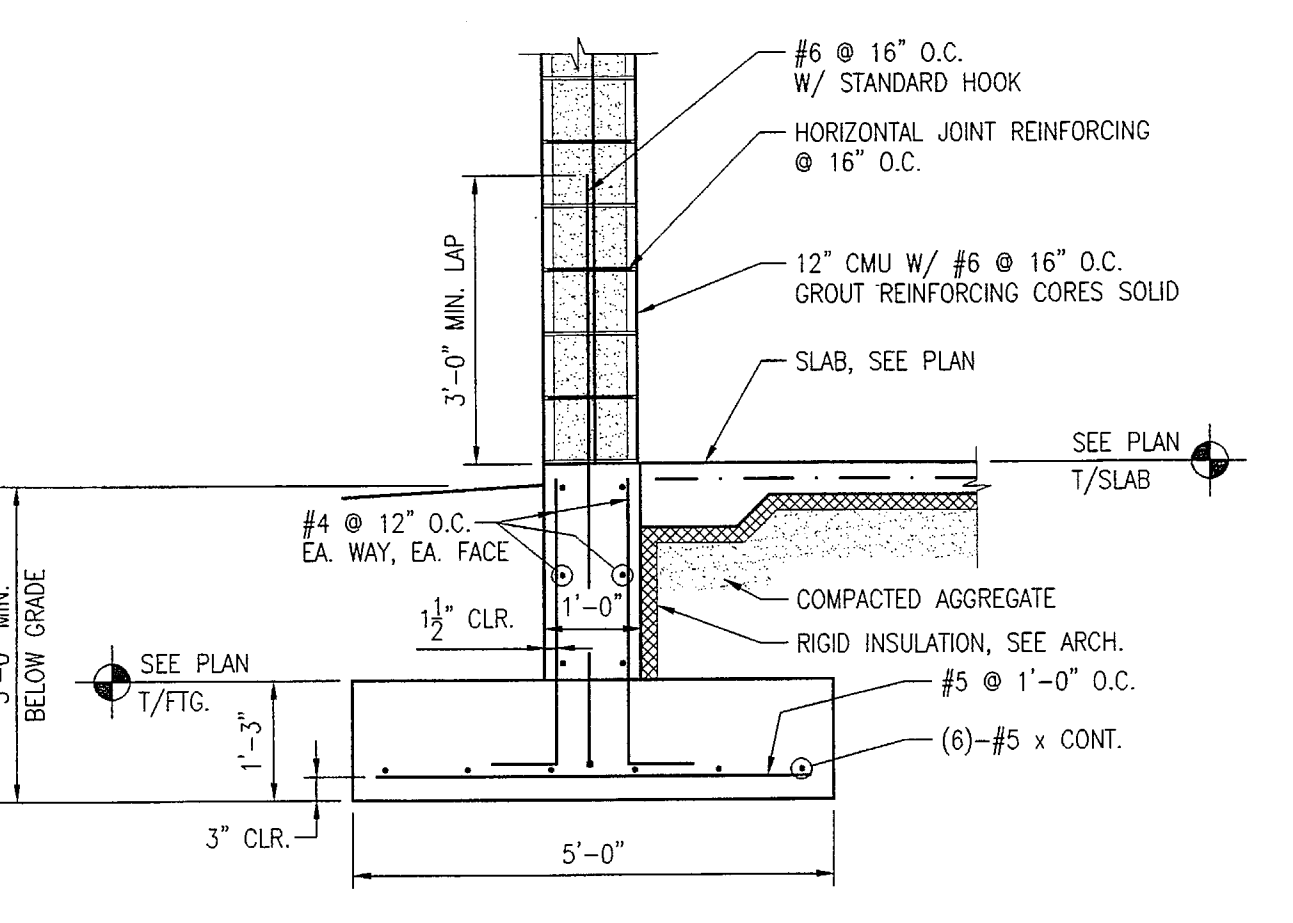
3 SECTION SCALE: 1/4"=1'-0"



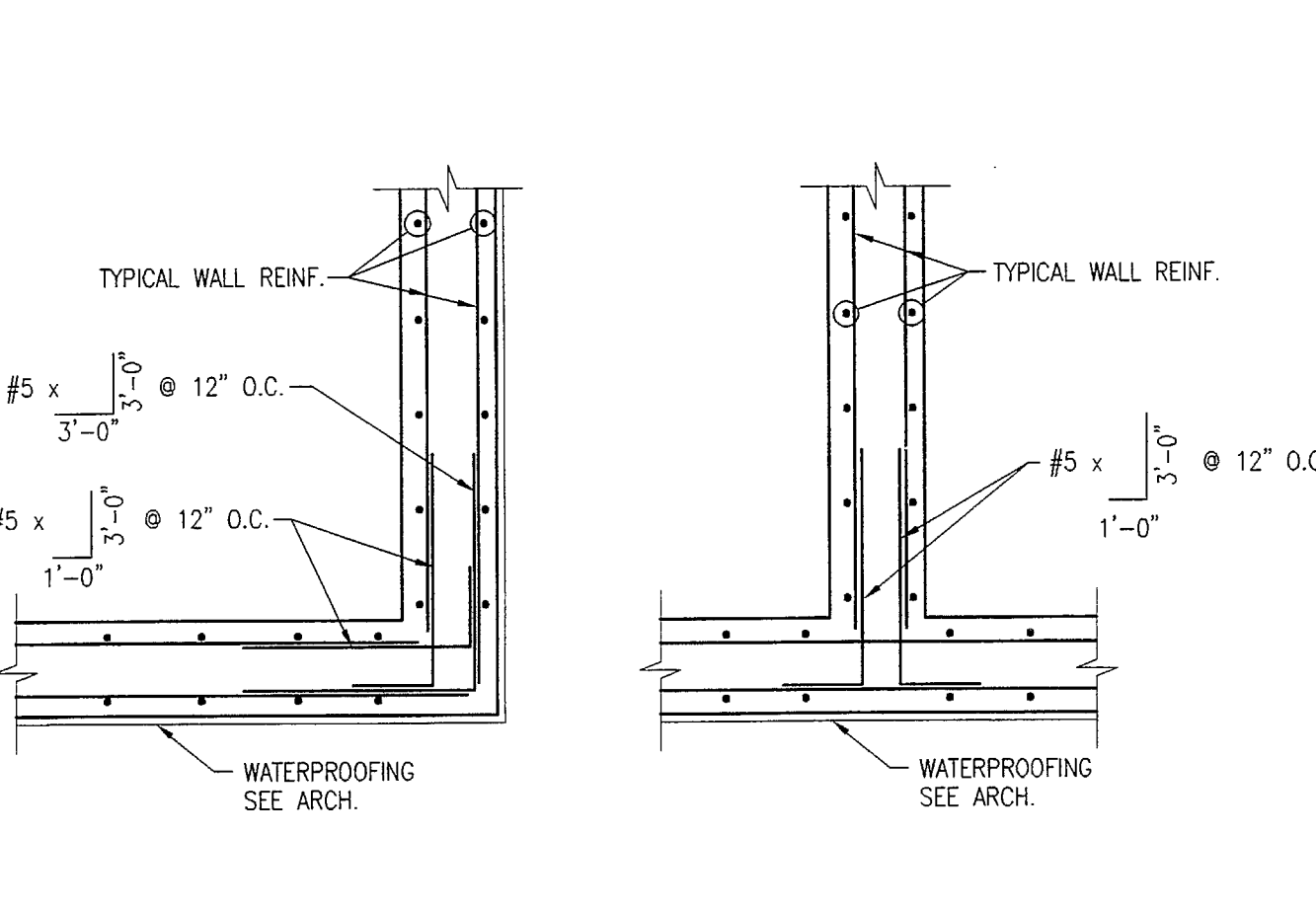
2 SECTION SCALE: 1/4"=1'-0"



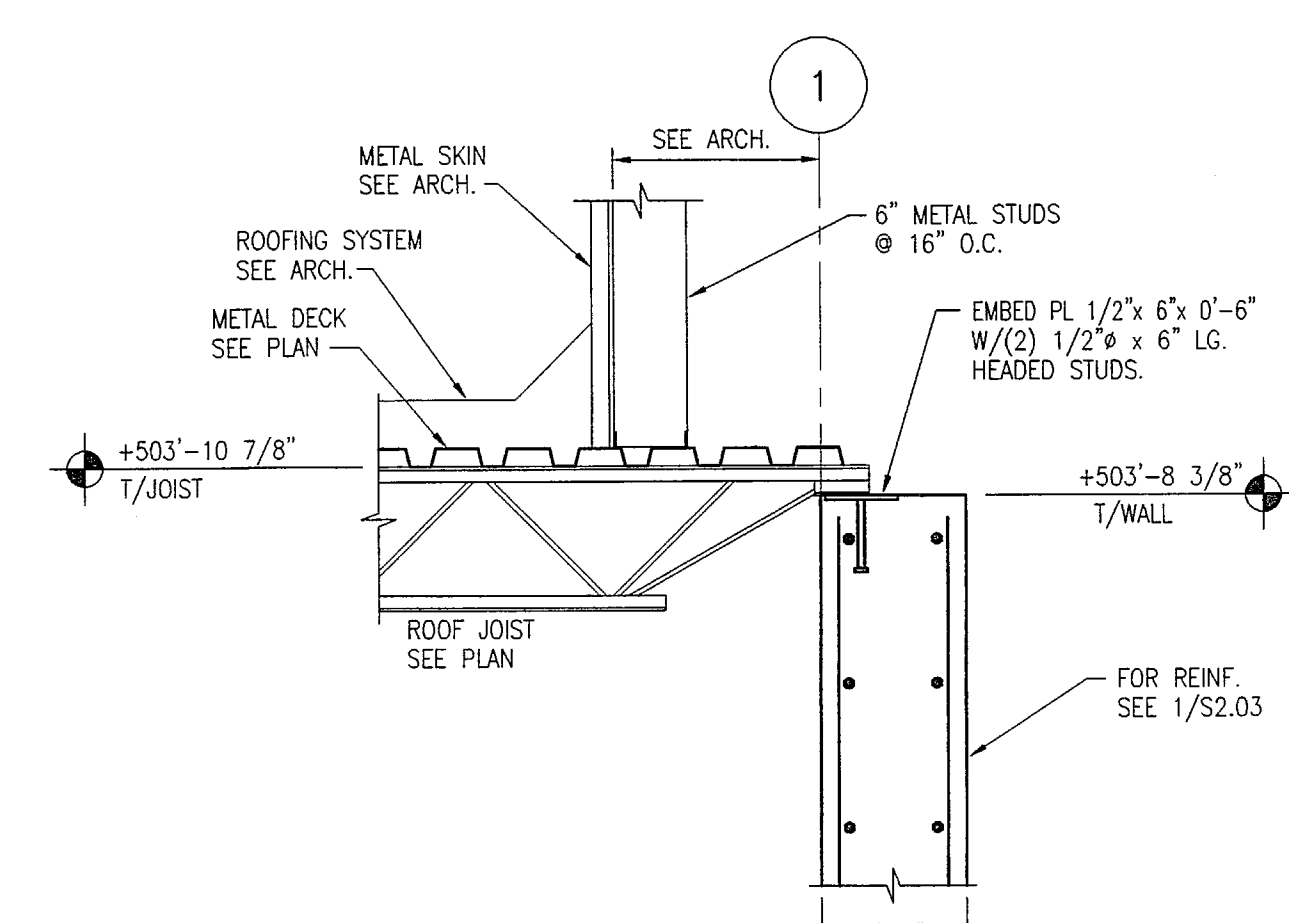
1 SECTION SCALE: 1/4"=1'-0"



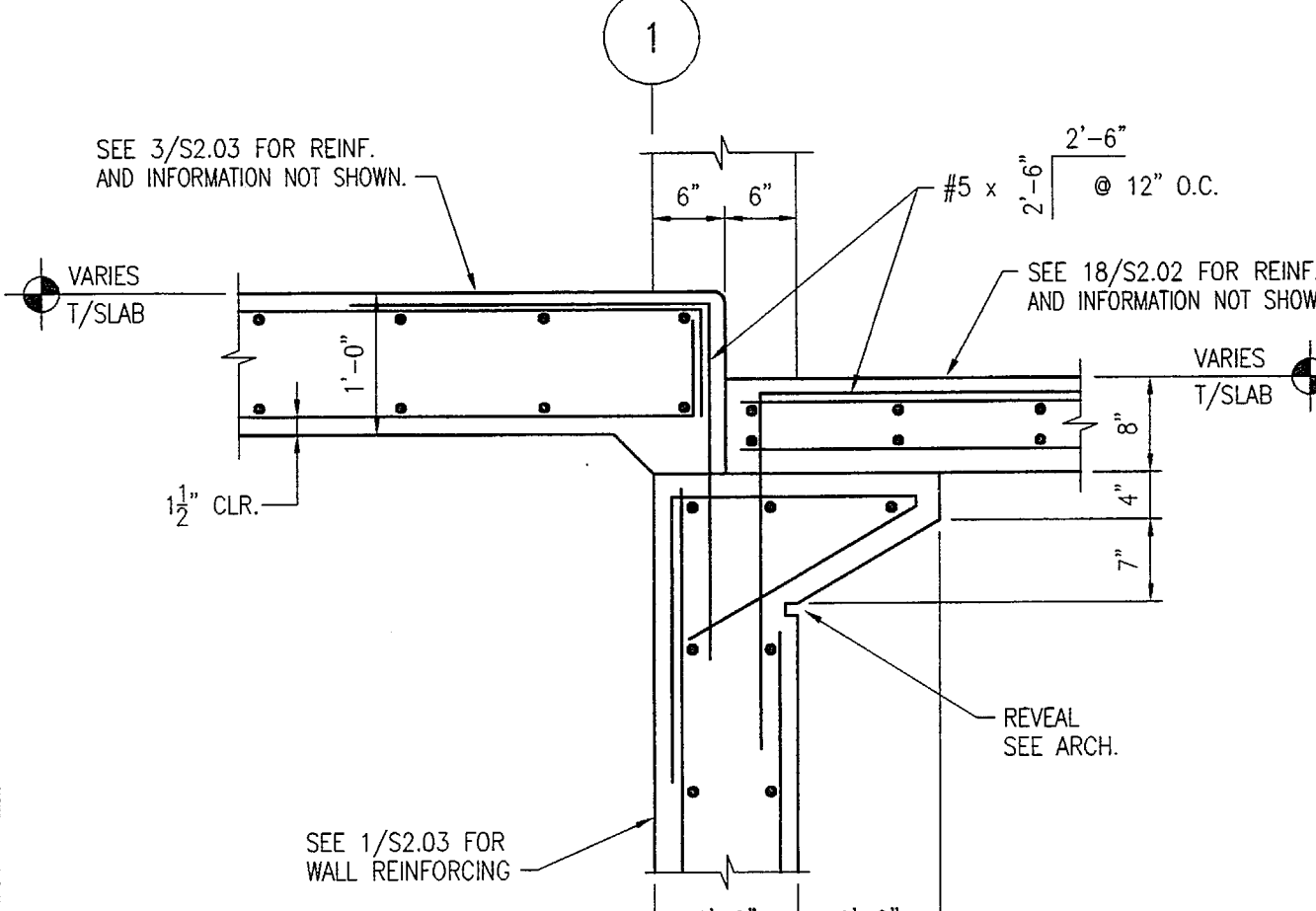
12 SECTION SCALE: 1/2"=1'-0"



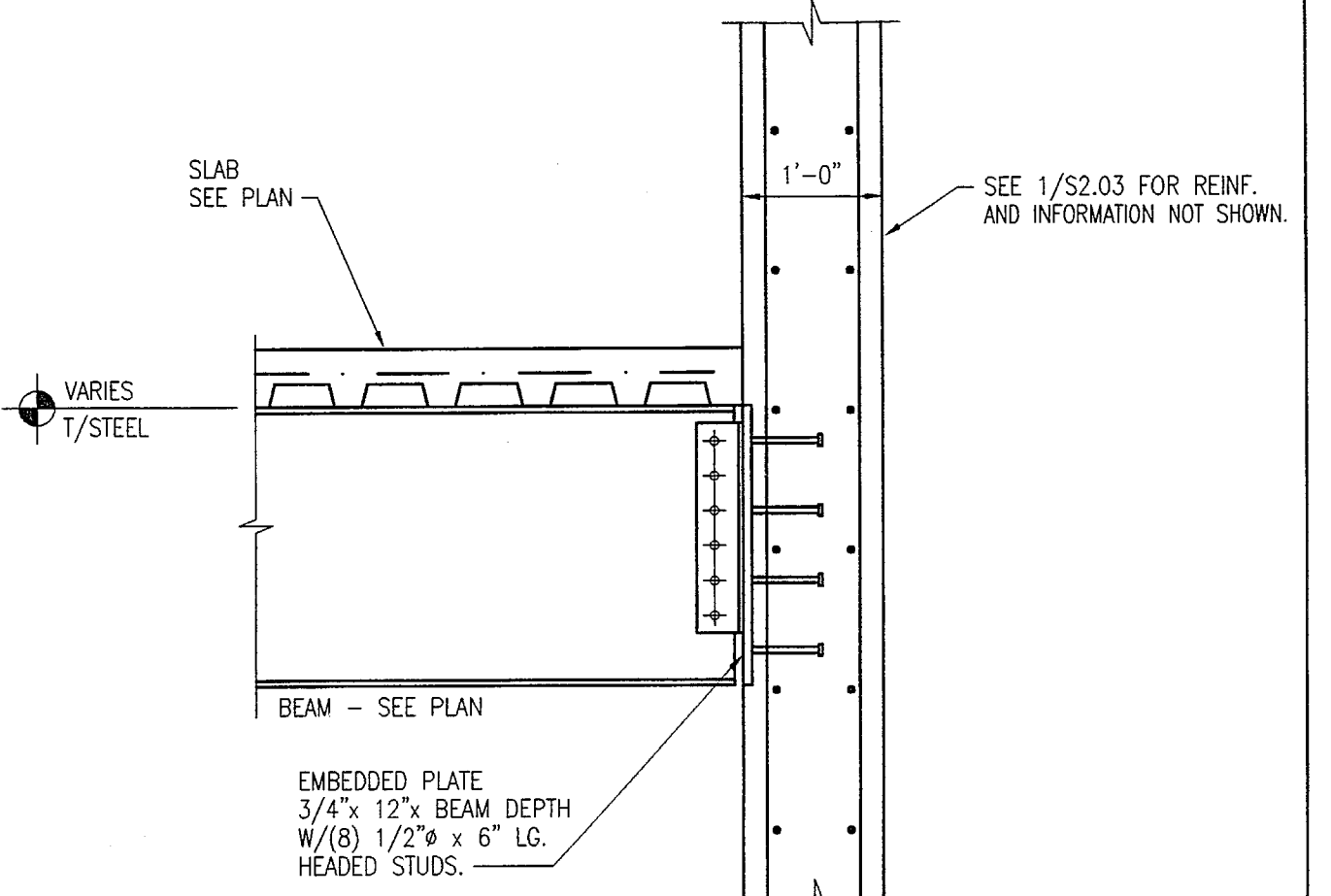
10 TYPICAL CORNER DETAILS SCALE: N.T.S.



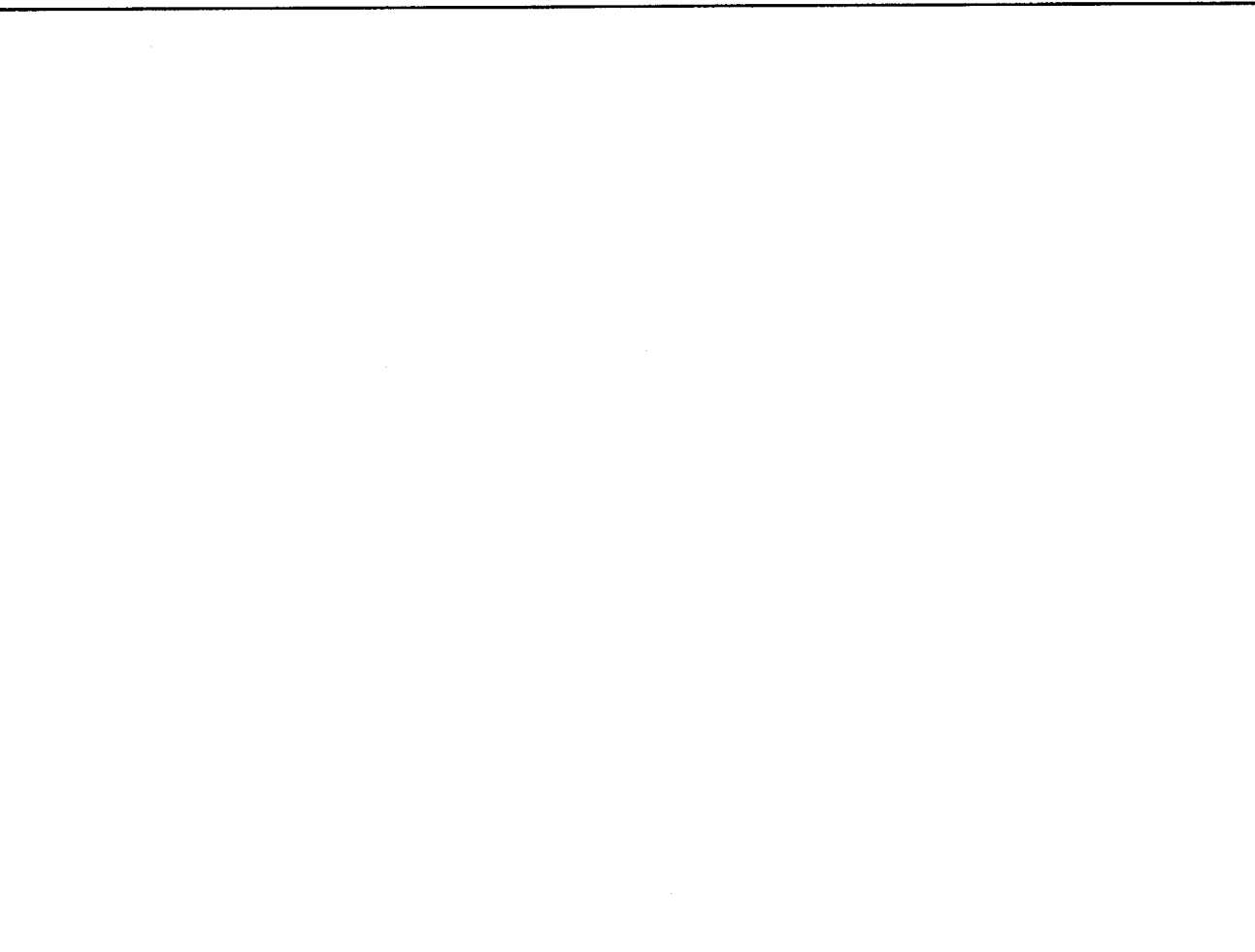
8 SECTION SCALE: 3/4"=1'-0"



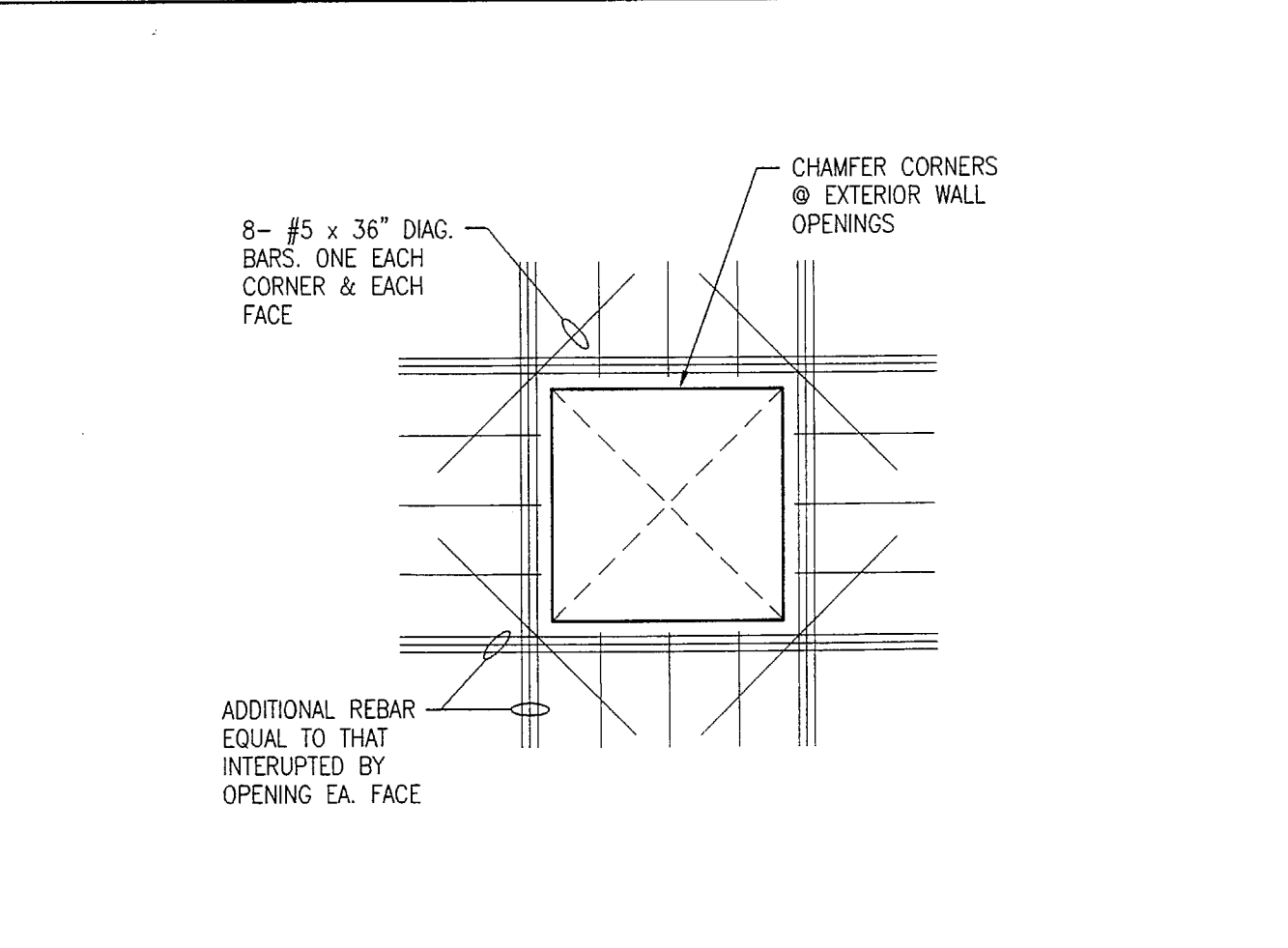
6 SECTION SCALE: 3/4"=1'-0"



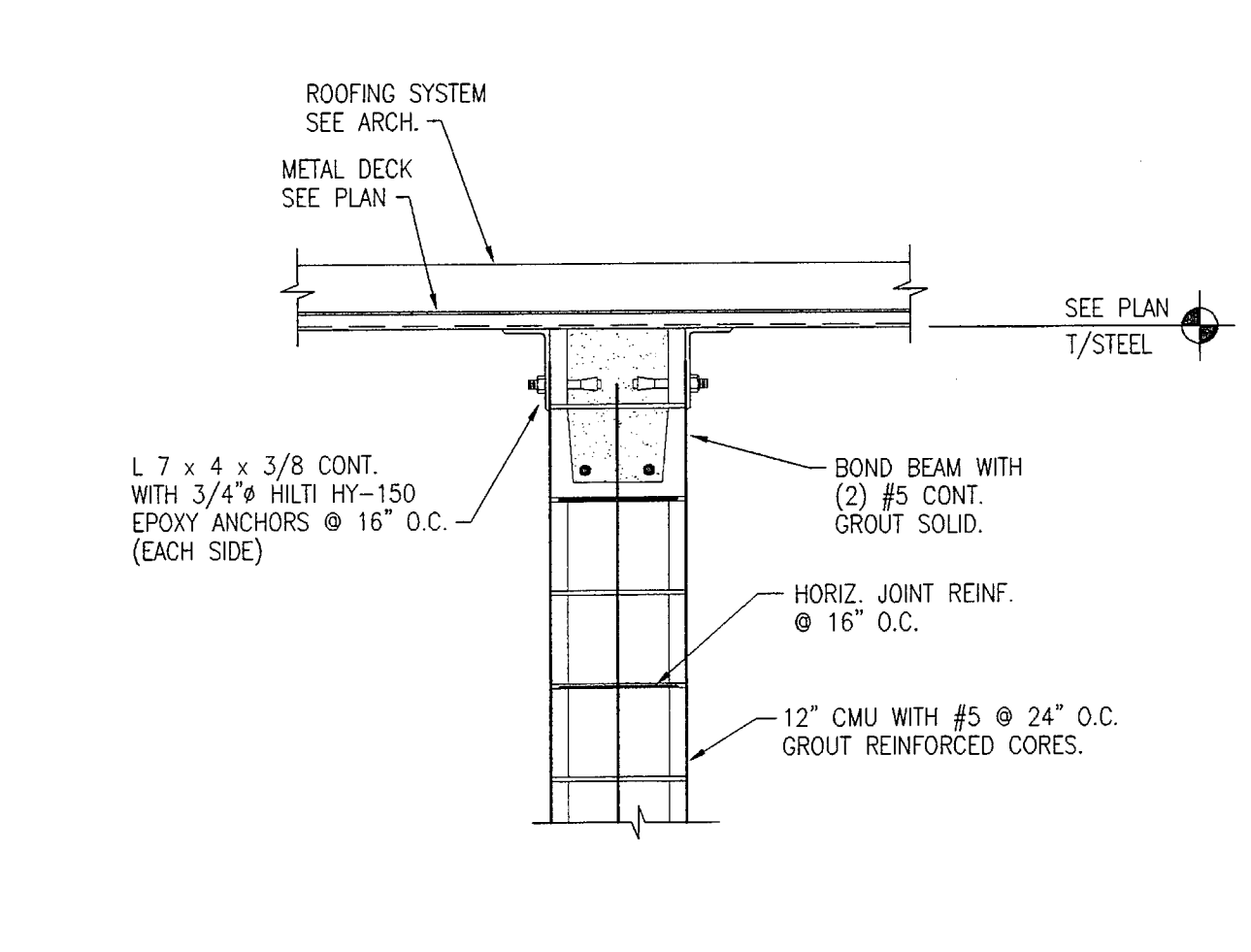
4 DETAIL SCALE: 3/4"=1'-0"



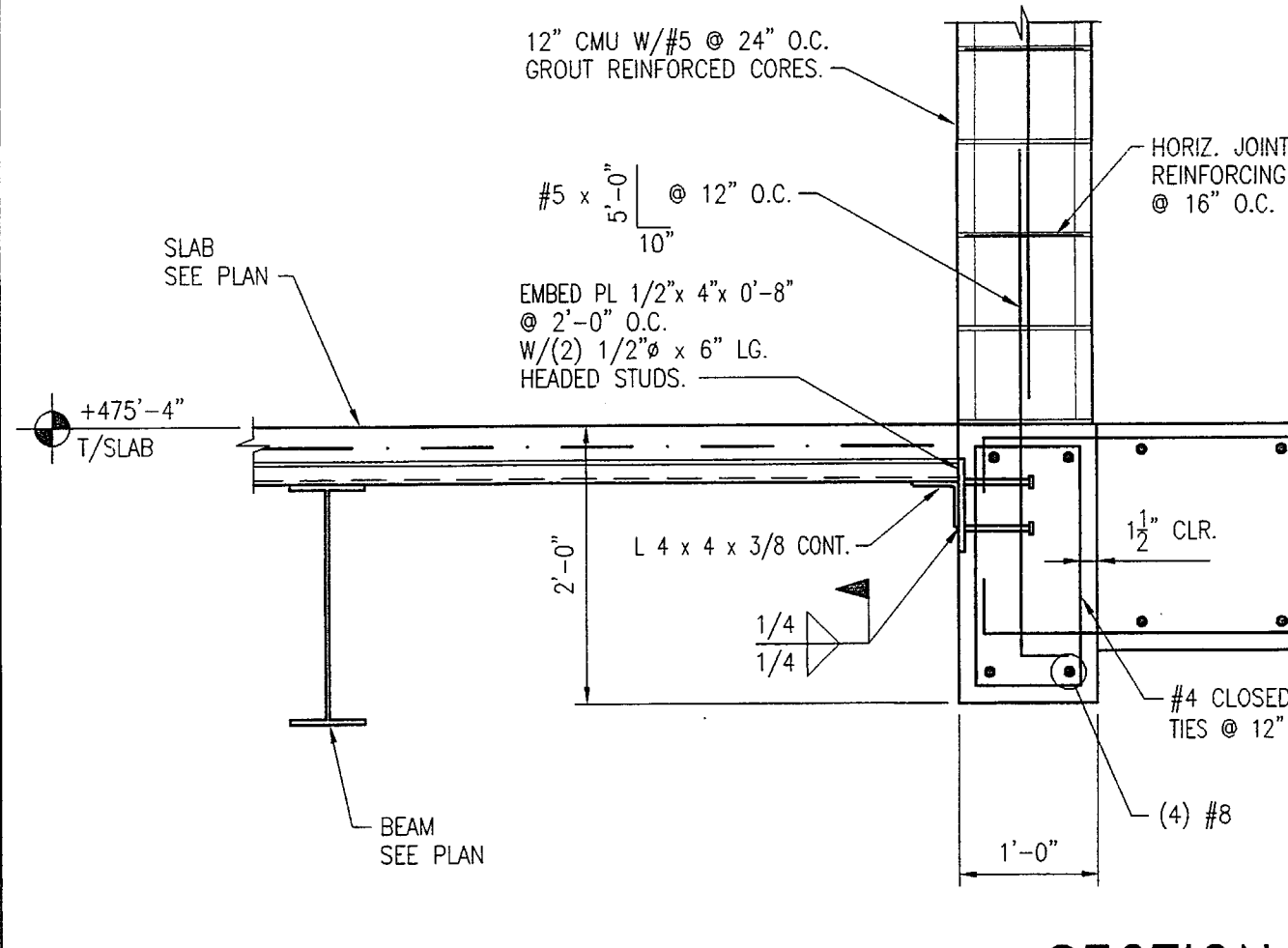
11 TYP. CONCRETE WALL OPENING SCALE: N.T.S.



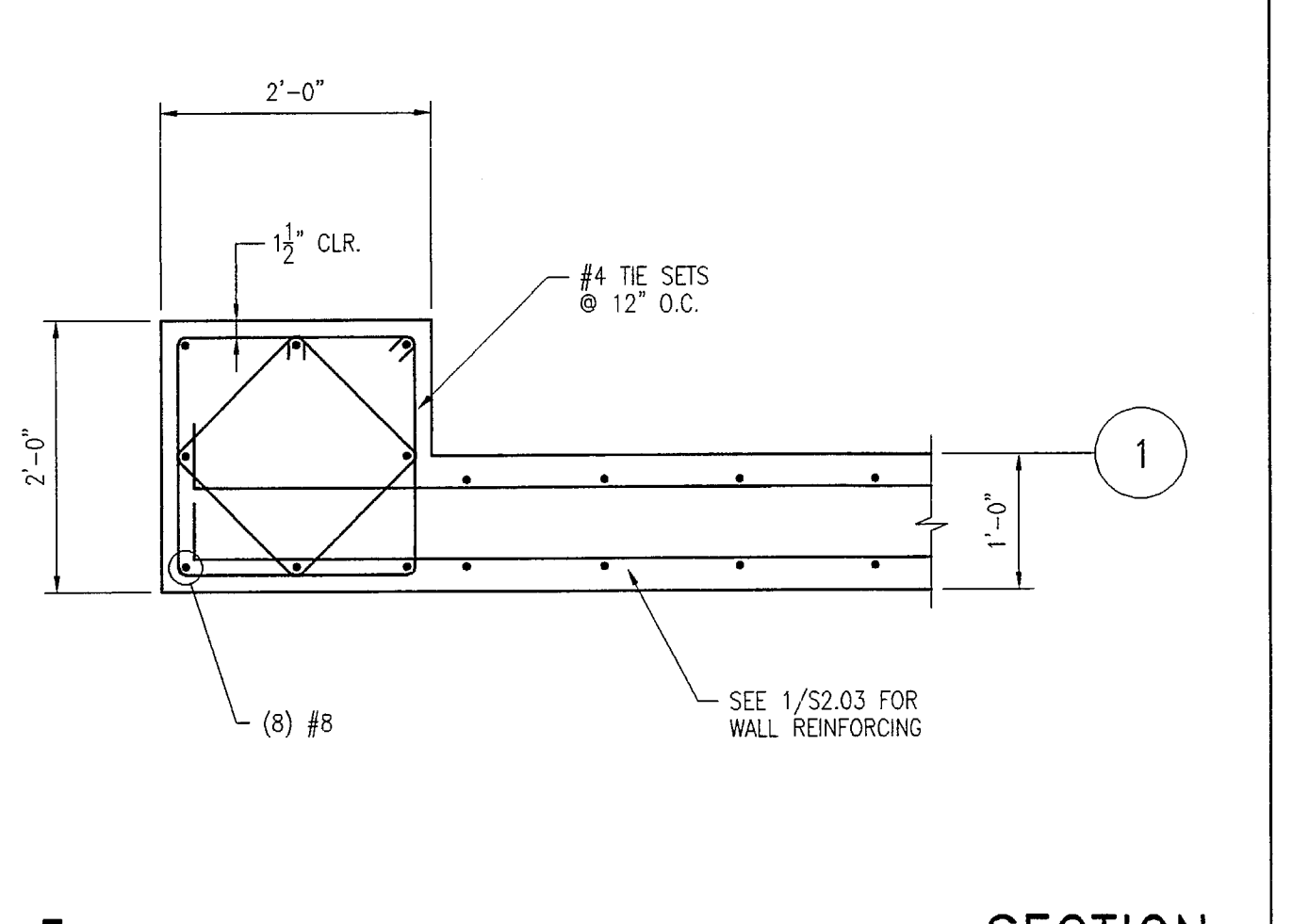
11 TYP. CONCRETE WALL OPENING SCALE: N.T.S.



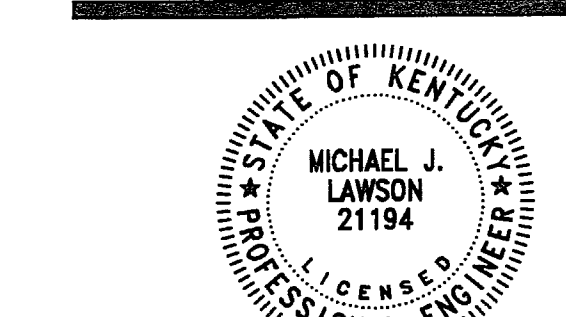
9 SECTION SCALE: 3/4"=1'-0"



7 SECTION SCALE: 3/4"=1'-0"



5 SECTION SCALE: 3/4"=1'-0"



Michael J. Lawson

CERTIFICATION
CONSTRUCTION DOCUMENTS

CARDINAL PARK NATATORIUM

UNIVERSITY OF LOUISVILLE

Project: 03006
Drawn: JDF
Checked: MJL
Scale: AS NOTED
Issue Date: AUGUST 27, 2003
Revision:

FOUNDATION SECTIONS

S2.03