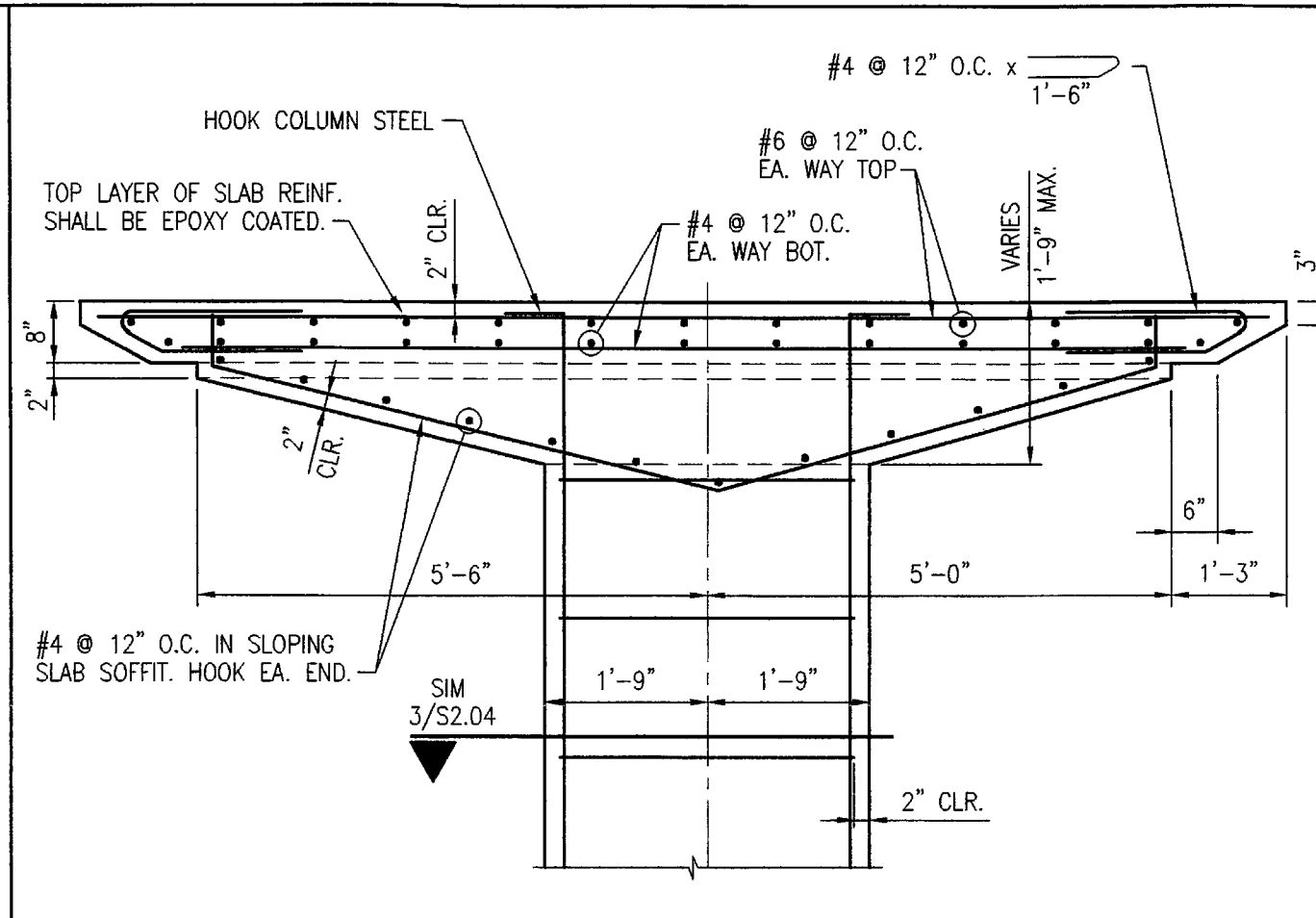
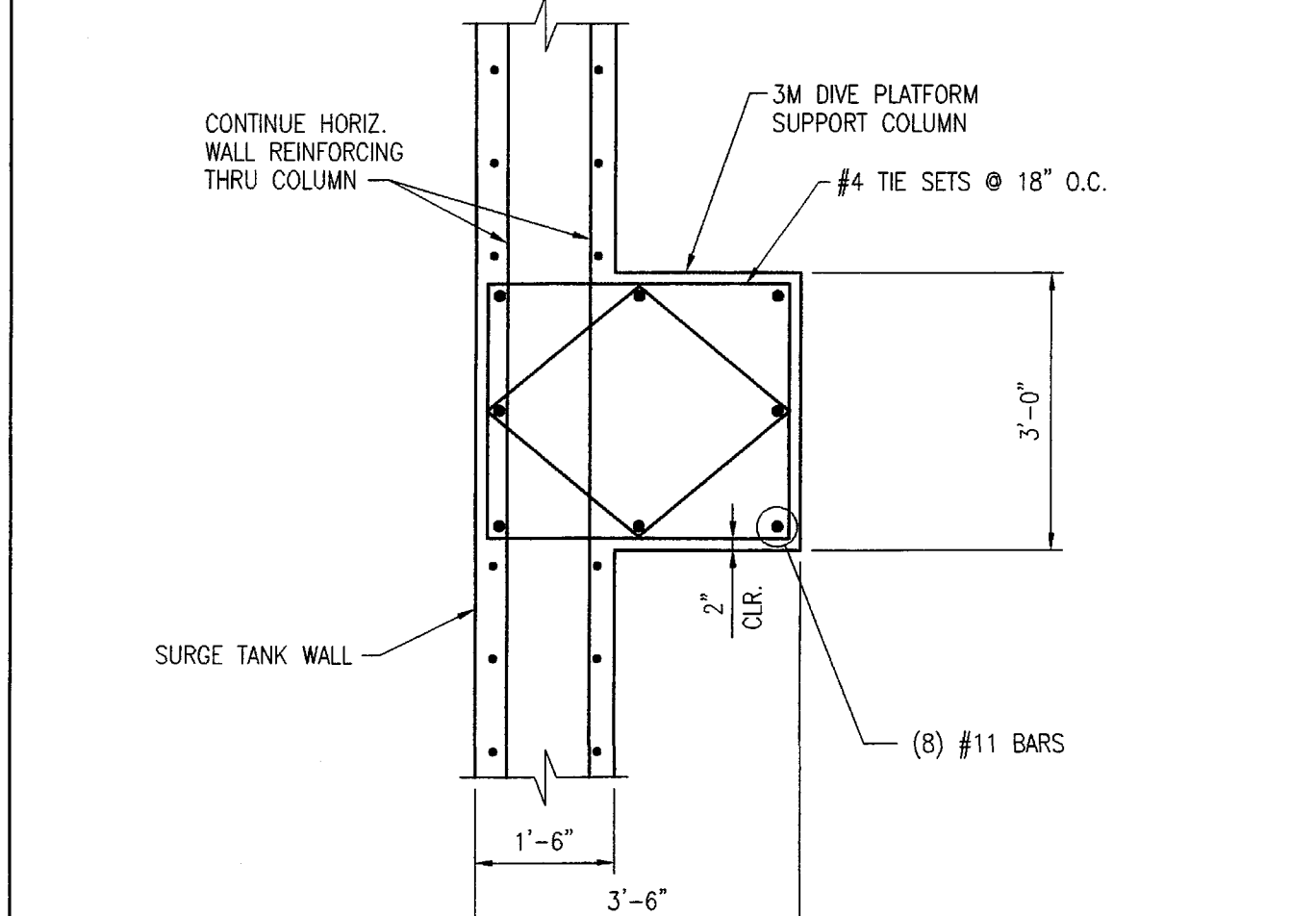


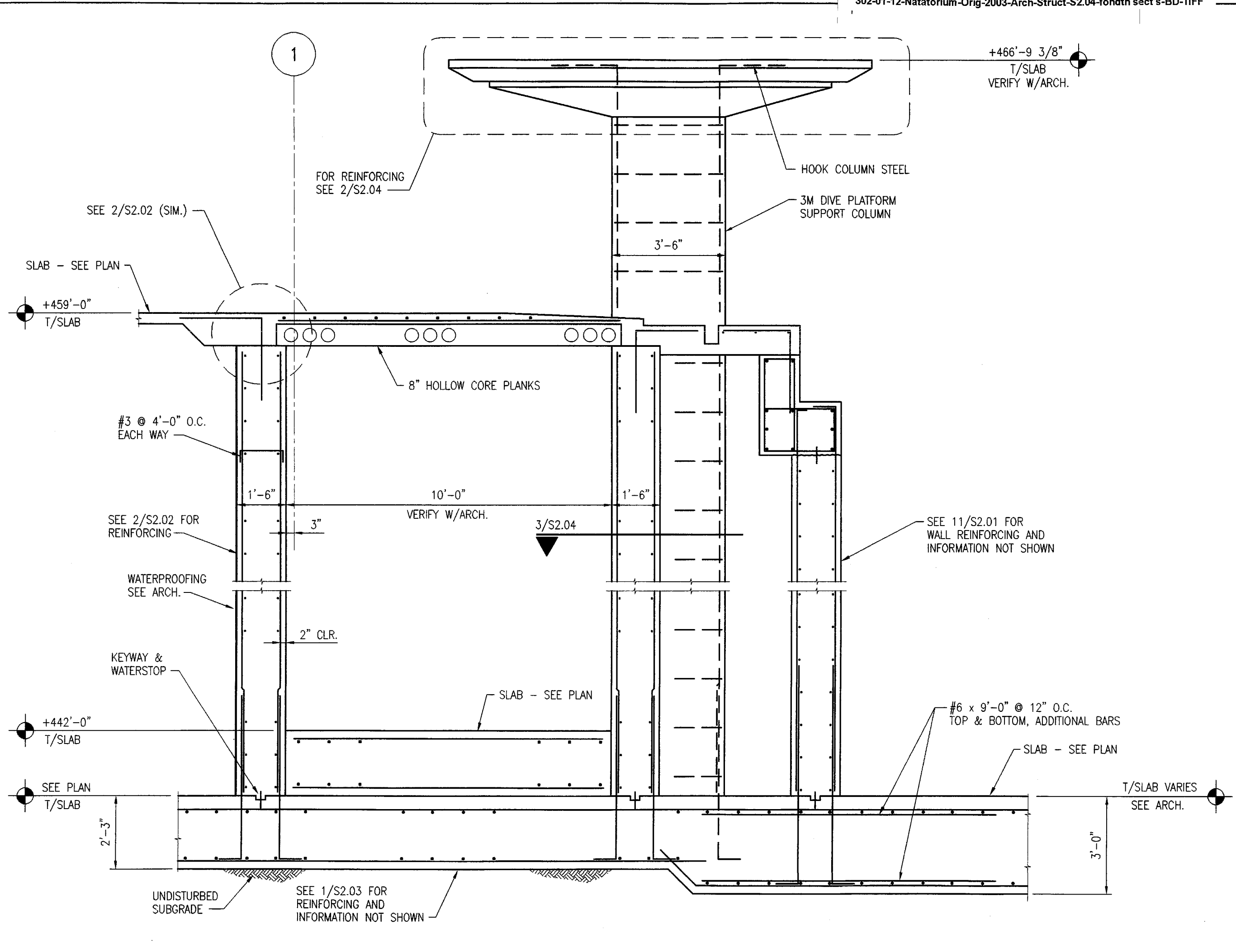
SECTION 4
SCALE: 1/2"=1'-0"



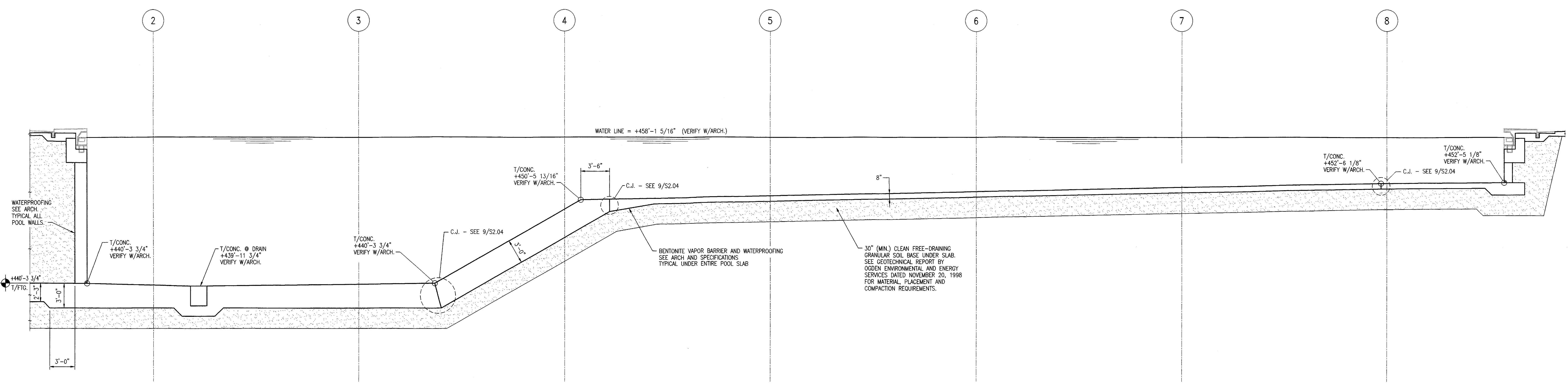
SECTION 2
SCALE: 1/2"=1'-0"



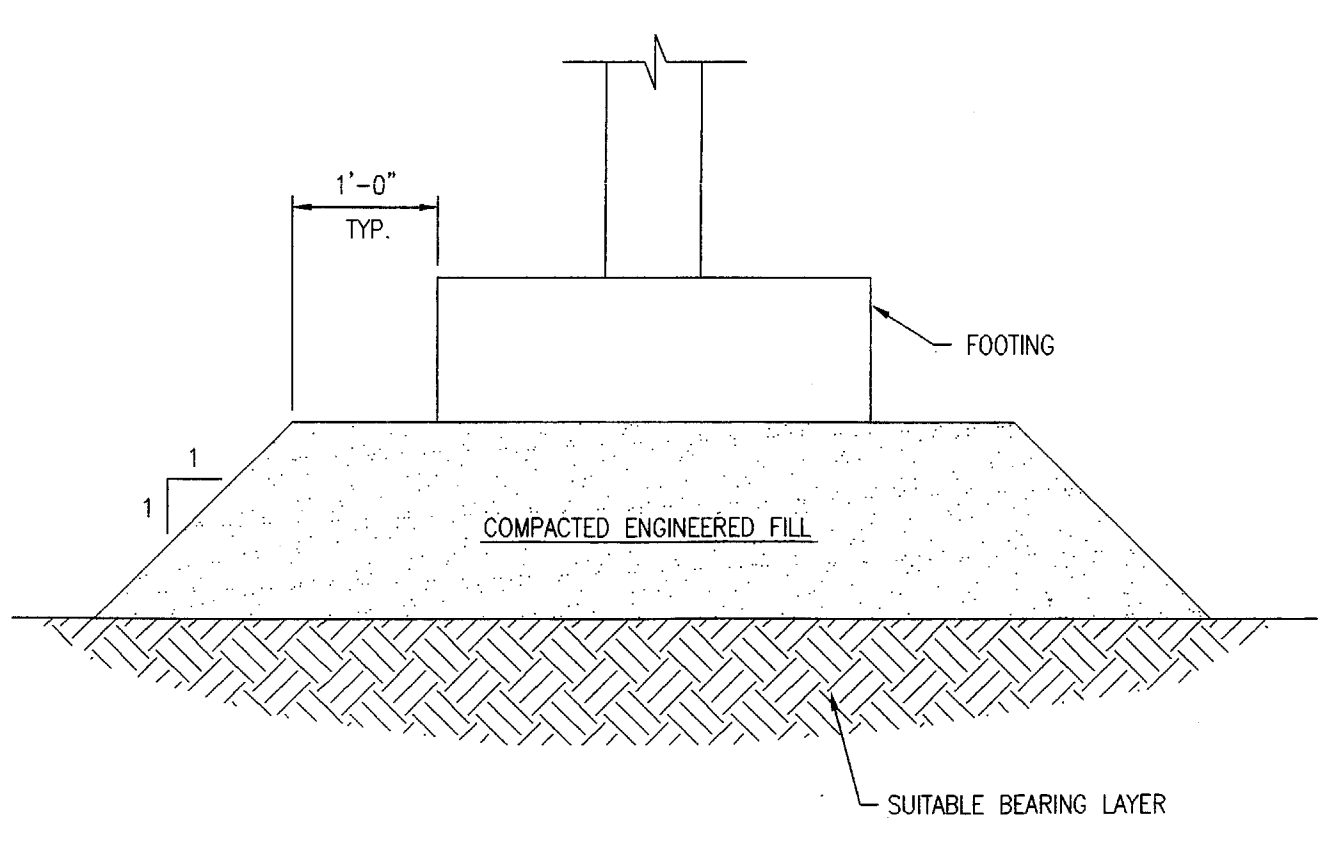
SECTION 3
SCALE: 1/2"=1'-0"



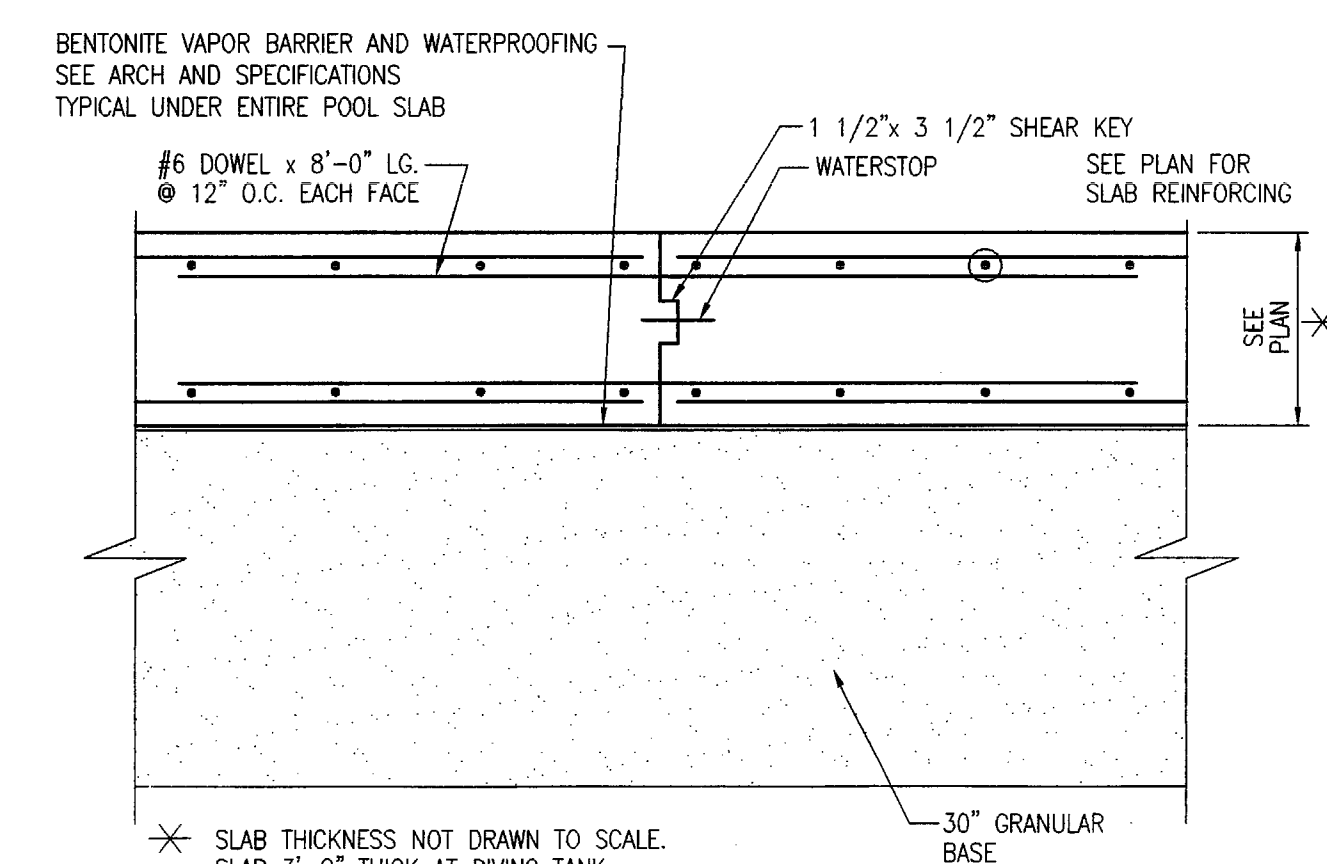
SECTION 1
SCALE: 3/8"=1'-0"



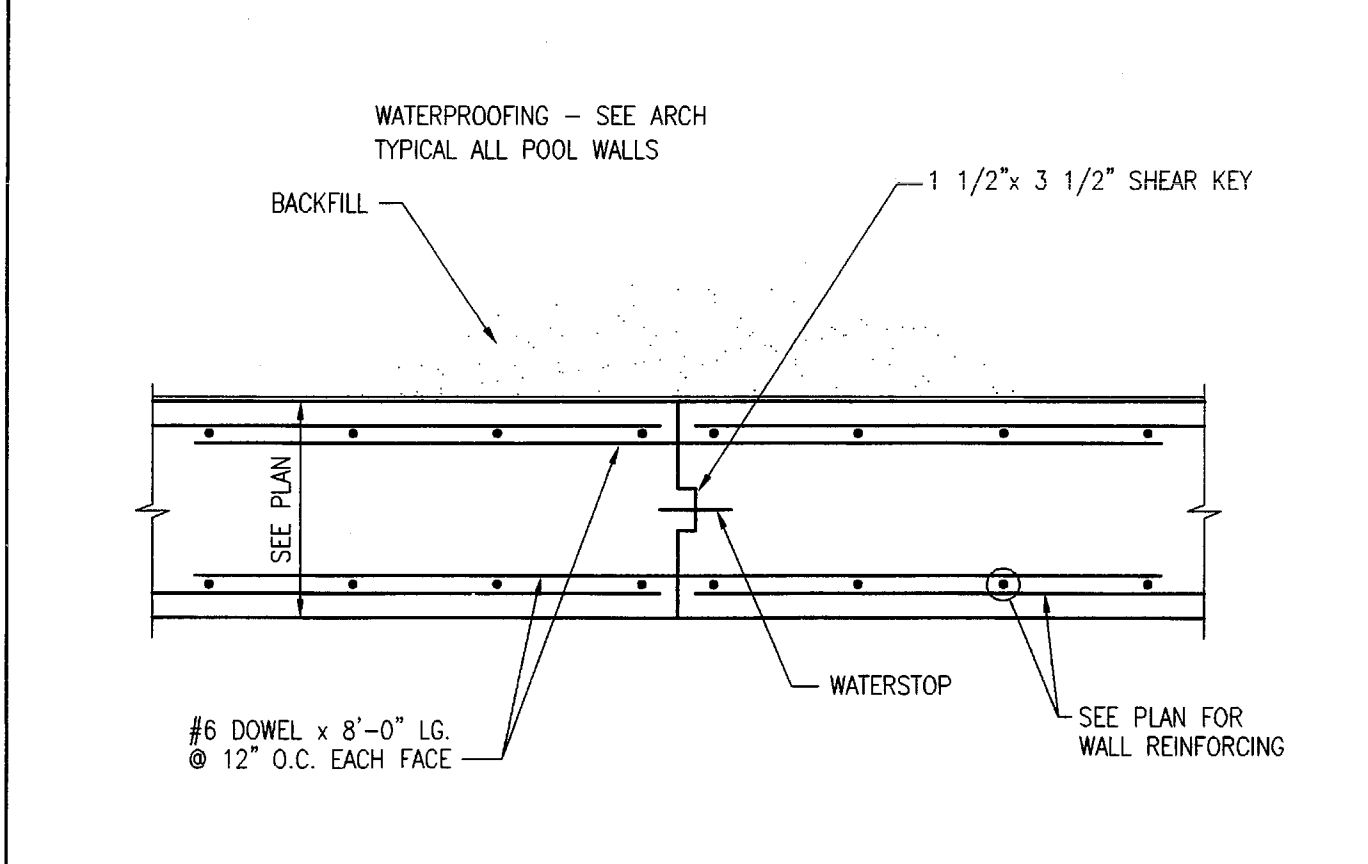
LONGITUDINAL SECTION THRU POOL
SCALE: 3/16"=1'-0"



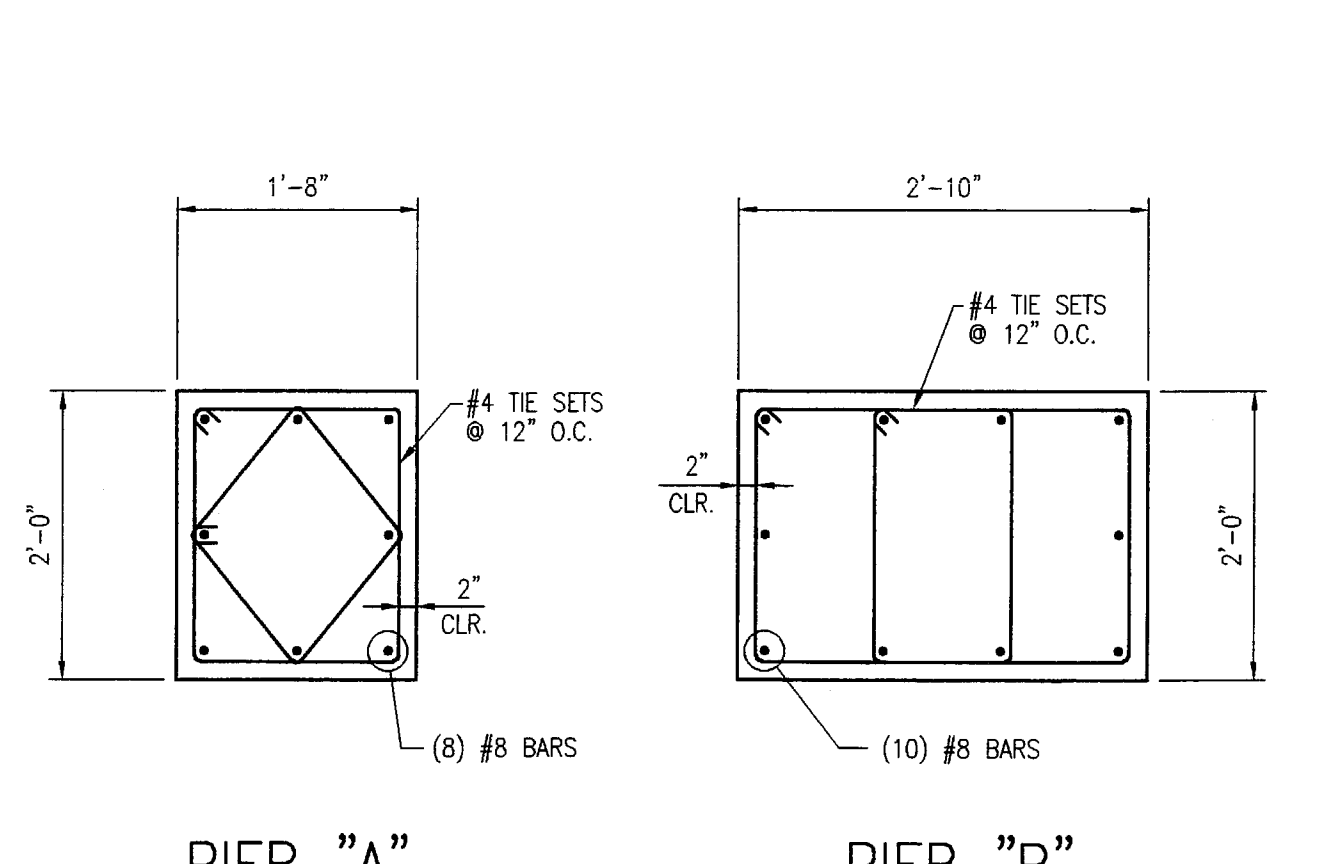
TYPICAL EXTENT OF ENGINEERED FILL
SCALE: N.T.S.



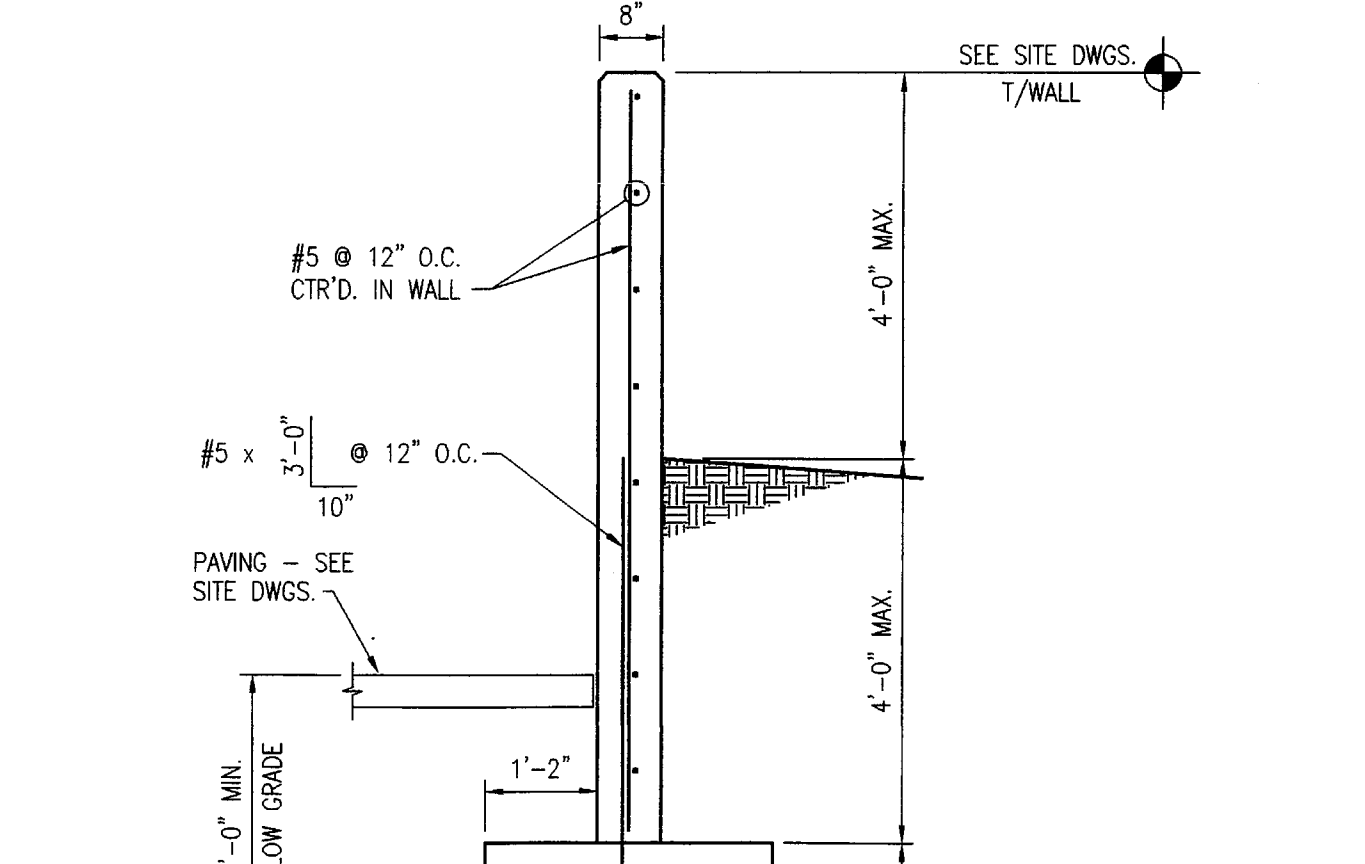
POOL SLAB CONSTRUCTION JOINT
SCALE: 3/4"=1'-0"



POOL WALL CONSTRUCTION JOINT
SCALE: 3/4"=1'-0"



SECTION 7
SCALE: 3/4"=1'-0"



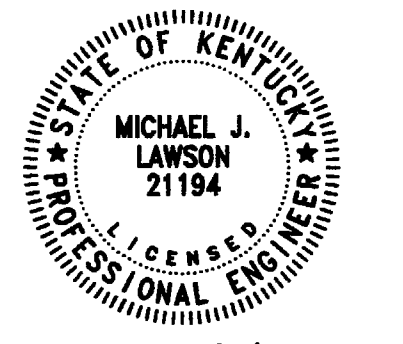
SECTION 6
SCALE: 1/2"=1'-0"

BROWNING DAY MULLINS DIERDORF ARCHITECTS
 Browning Day Mullins Dierdorf Architects
 Architecture
 Landscape Architecture
 Planning
 334 North Senate Avenue
 Indianapolis, Indiana 46204
 P: 317 535 5030
 F: 317 634 5409
 E-Mail: jdmullins@bdmrd.com

Circle Design Group, Inc.
 Mechanical Electrical Plumbing Engineers
 5510 South East Street, Suite F
 Indianapolis, Indiana 46227
 P: 317 781 8200
 F: 317 781 8201
 E-Mail: kerry@circledesigngroup.com

Lawson Elser Engineering Consultants
 Structural Engineers
 650 East Carmel Drive, Suite 150
 Carmel, Indiana 46032
 P: 317 574 9439
 F: 317 574 9431
 E-Mail: mlawson@lawsonelser.com

Skees Engineering, Inc.
 Civil Engineers
 400 Blankenbaker Parkway, Suite 300
 Louisville, KY 40243
 P: 502 254 2944
 F: 502 254 3008
 E-Mail: dmckinnon@skees.com



Michael J. Lawson

CONSTRUCTION DOCUMENTS

CARDINAL PARK NATATORIUM

UNIVERSITY OF LOUISVILLE

Project: 03008
 Drawn: JDF
 Checked: JDF
 Scale: AS NOTED
 Issue Date: AUGUST 27, 2003
 Revision: ADDENDUM NO. 2 10-07-03
 REVISED SECT. 5/S2.04

FOUNDATION SECTIONS

S2.04

OFFICIAL BID DOCUMENT