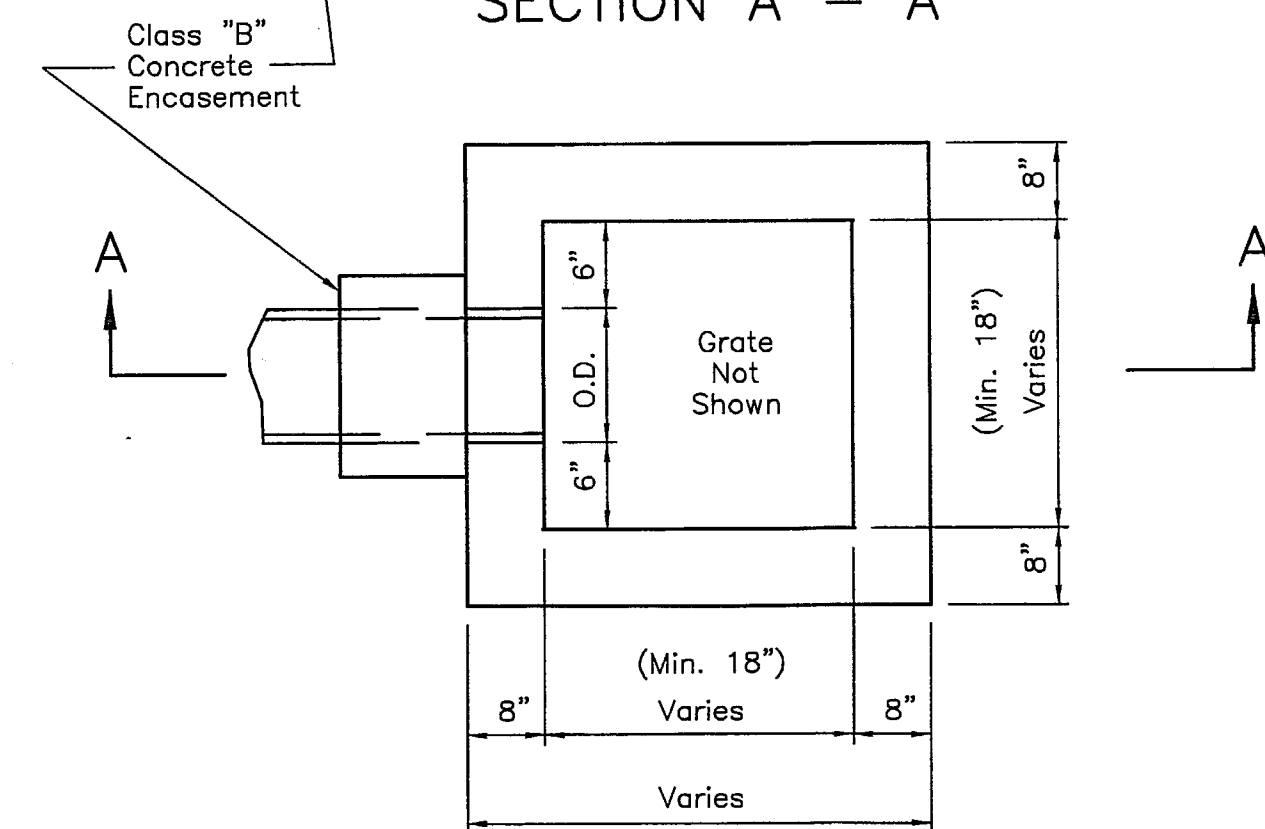
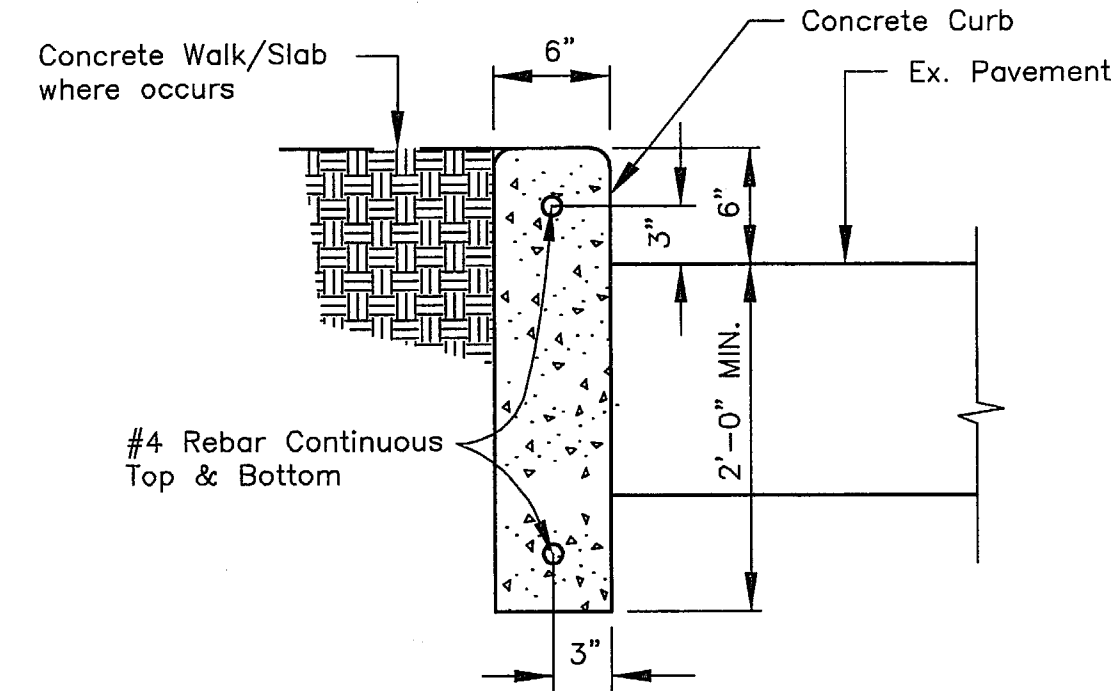


SECTION A - A

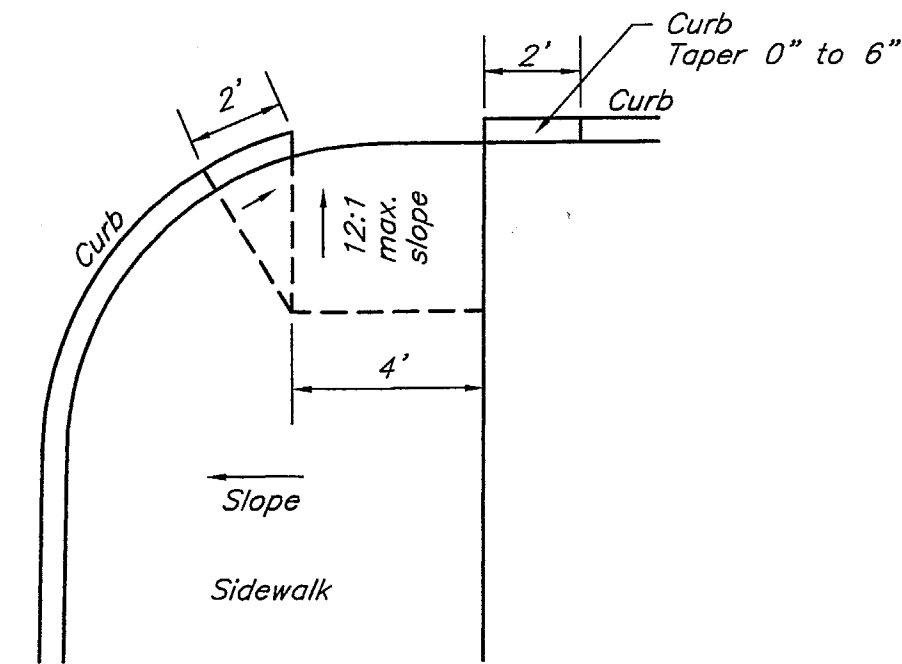


TYPICAL SURFACE INLET



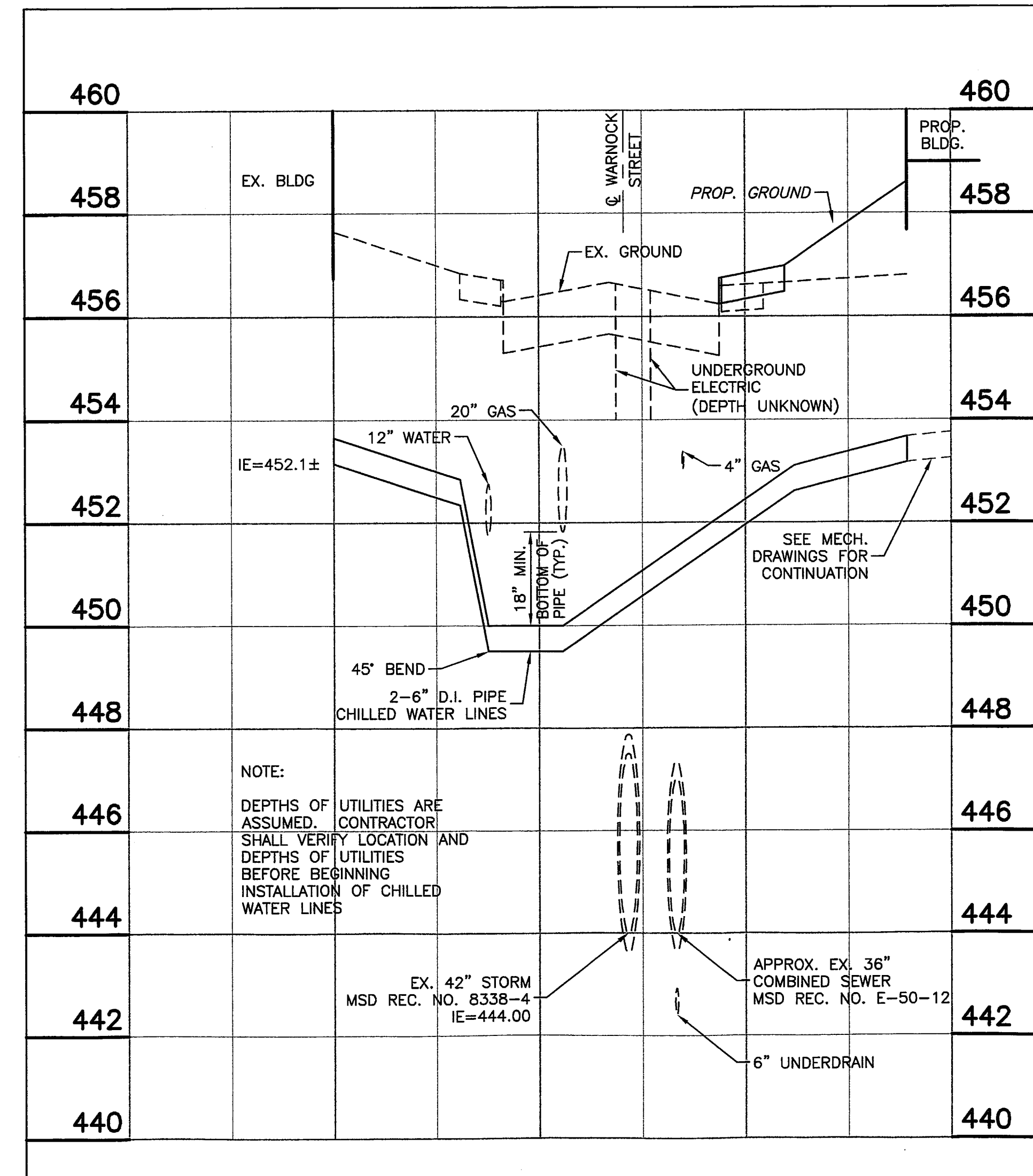
TYPICAL HEADER CURB DETAIL

NOT TO SCALE



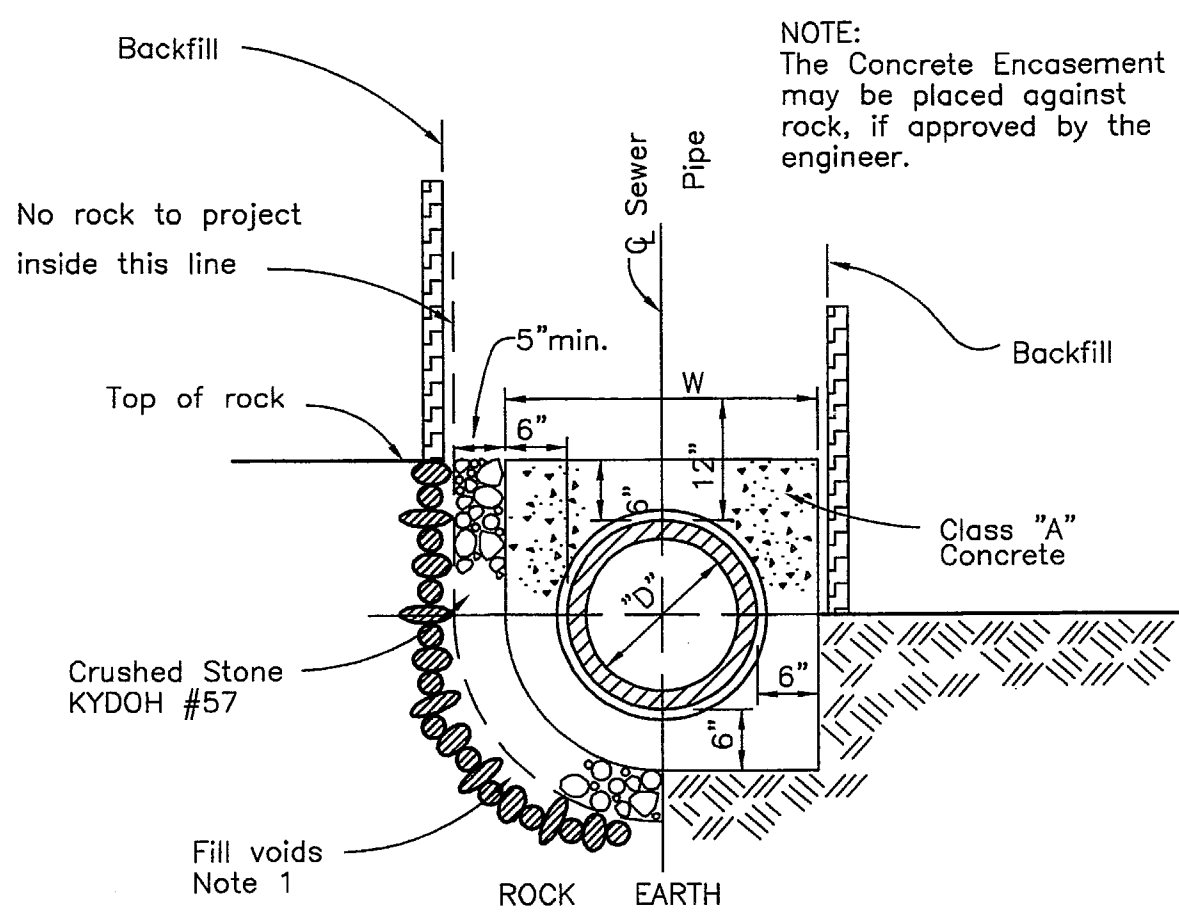
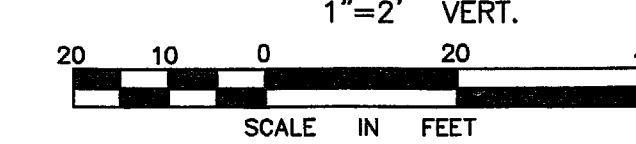
TYPICAL HANDICAP RAMP DETAIL

NOT TO SCALE



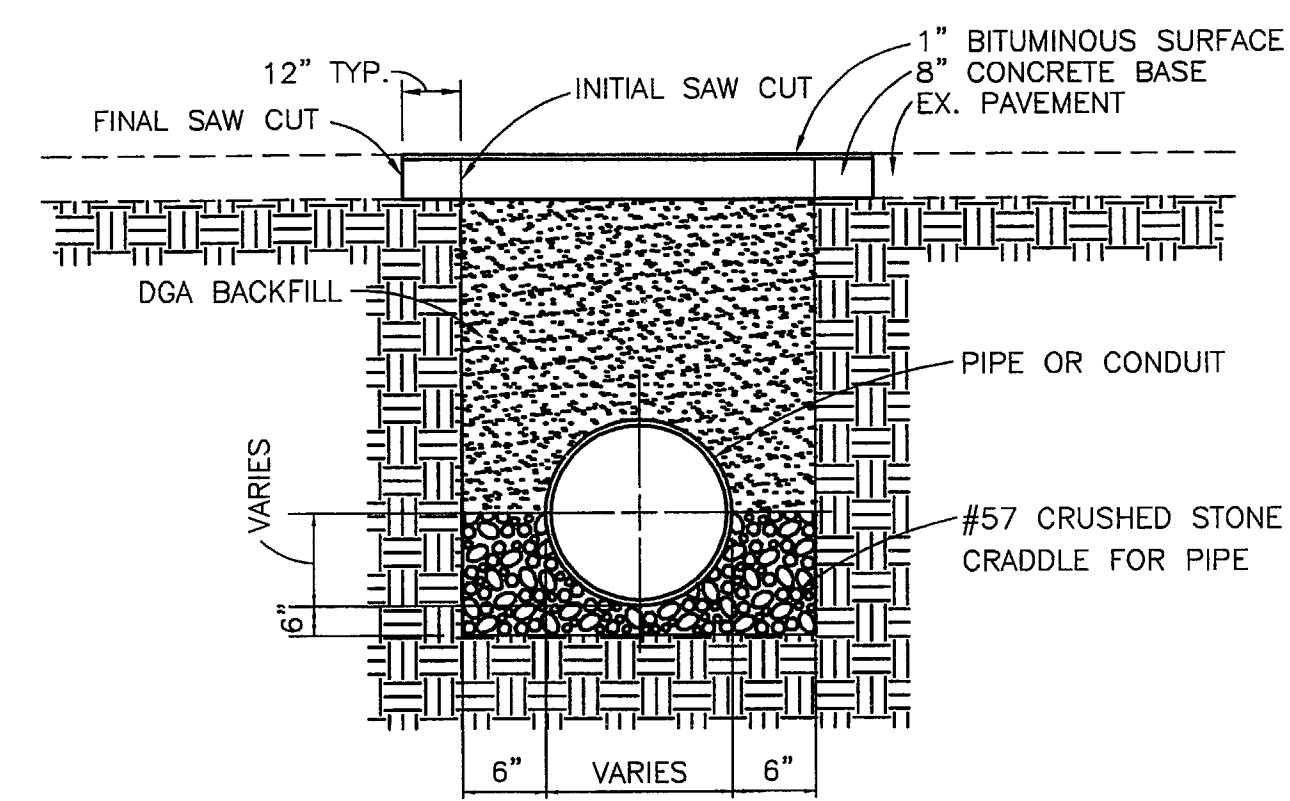
CHILLED WATER LINE PROFILE

SCALE: 1"=20' HORIZ.  
1"=2' VERT.



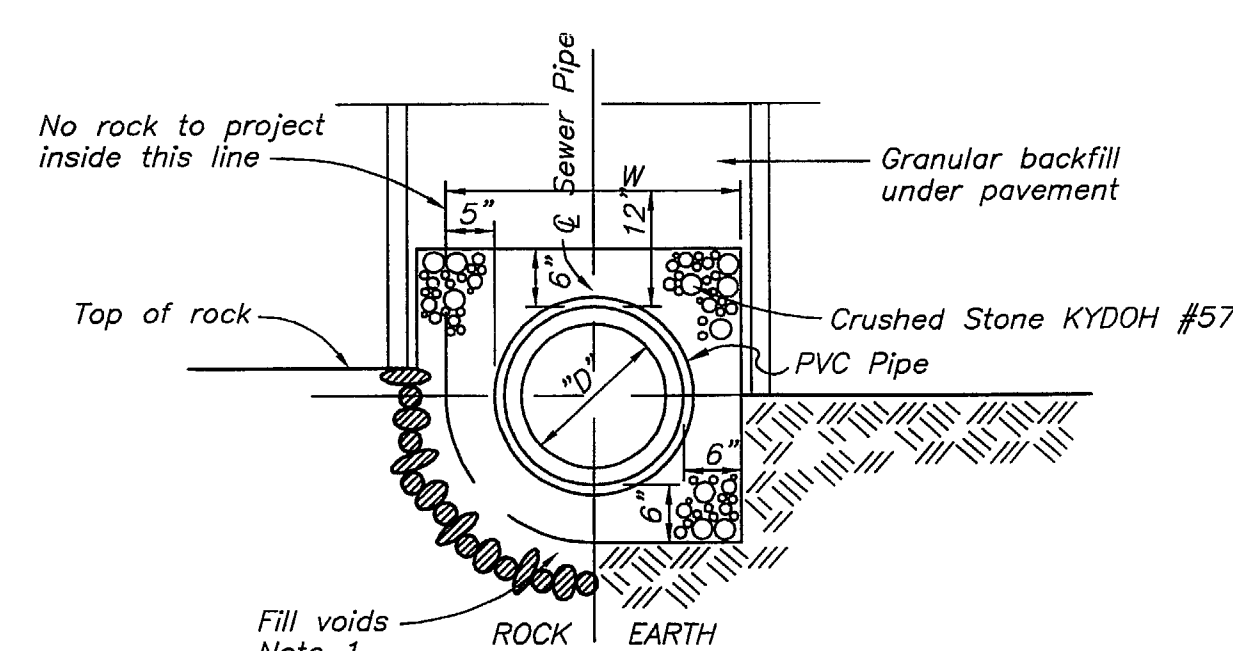
CONCRETE ENCASUREMENT

NOT TO SCALE



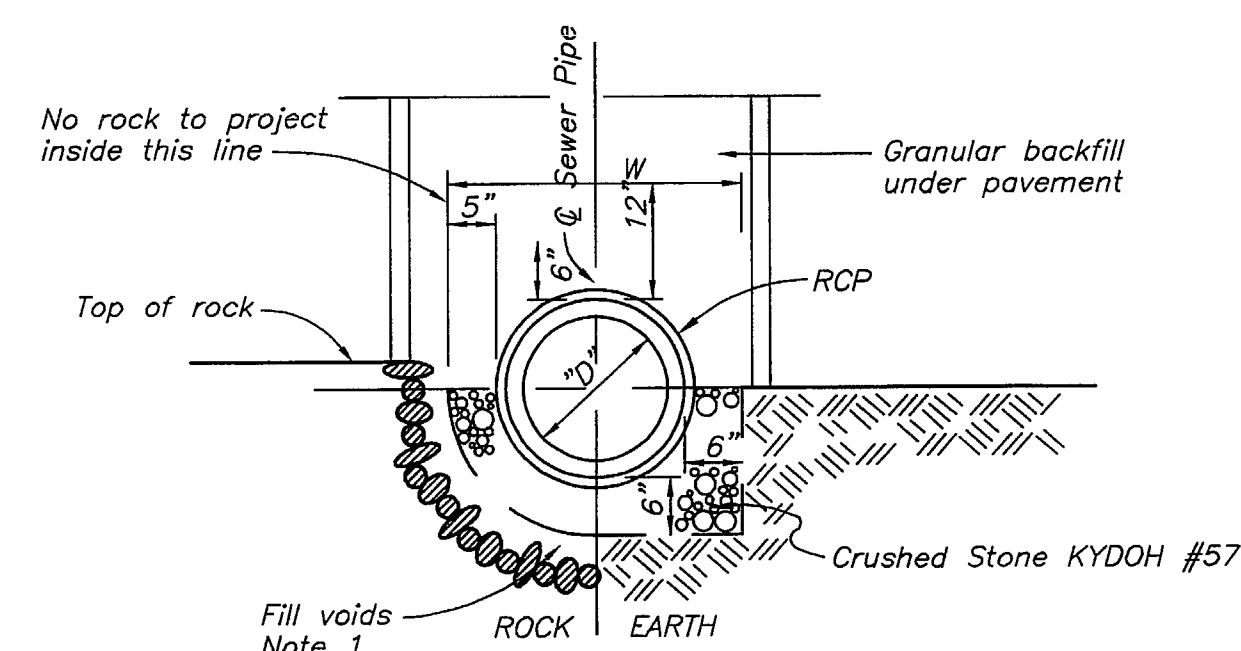
PAVEMENT RESTORATION DETAIL

NOT TO SCALE



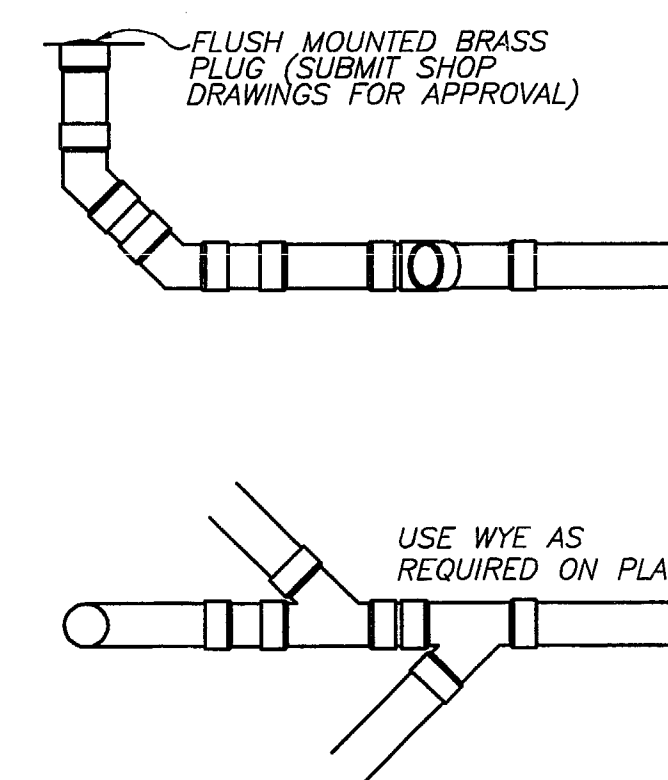
CRUSHED STONE ENCASUREMENT

NOT TO SCALE



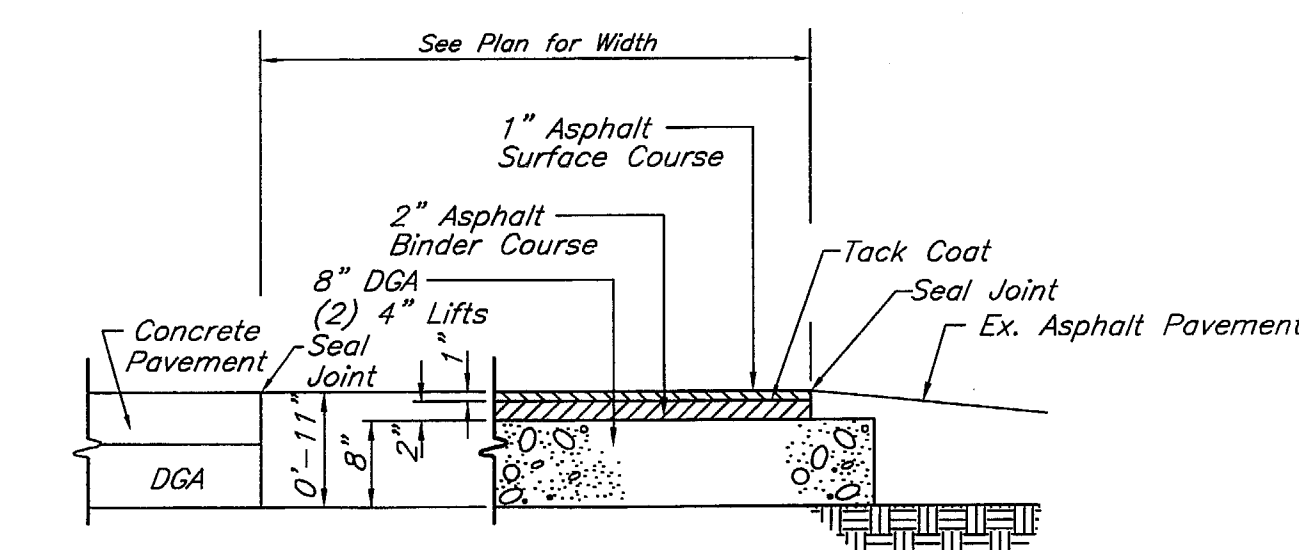
CRUSHED STONE CRADLE

NOT TO SCALE



CLEANOUT

NOT TO SCALE



ASPHALT PARKING PAVEMENT TYPE 1

NOT TO SCALE

NO.	REVISED	DATE

PLANS PREPARED BY:



*Douglas P. McKinnon*

CERTIFICATION

CONSTRUCTION DOCUMENTS

CARDINAL PARK NATATORIUM

UNIVERSITY OF LOUISVILLE

Project: C9006  
Drawn: BDH  
Checked: DPM  
Scale: AS SHOWN  
Issue Date: AUGUST 27, 2003  
Revision:

DETAILS

**C4.00**