

01 UNIT B
REFLECTED CEILING PLAN

A7.02 1/8" = 1'-0"

05 BULKHEAD
DETAIL

A7.02 3/4" = 1'-0"

03 BULKHEAD
DETAIL

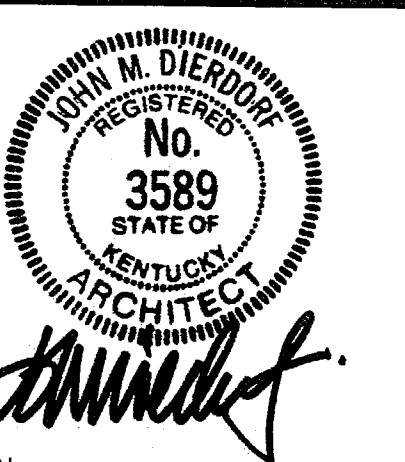
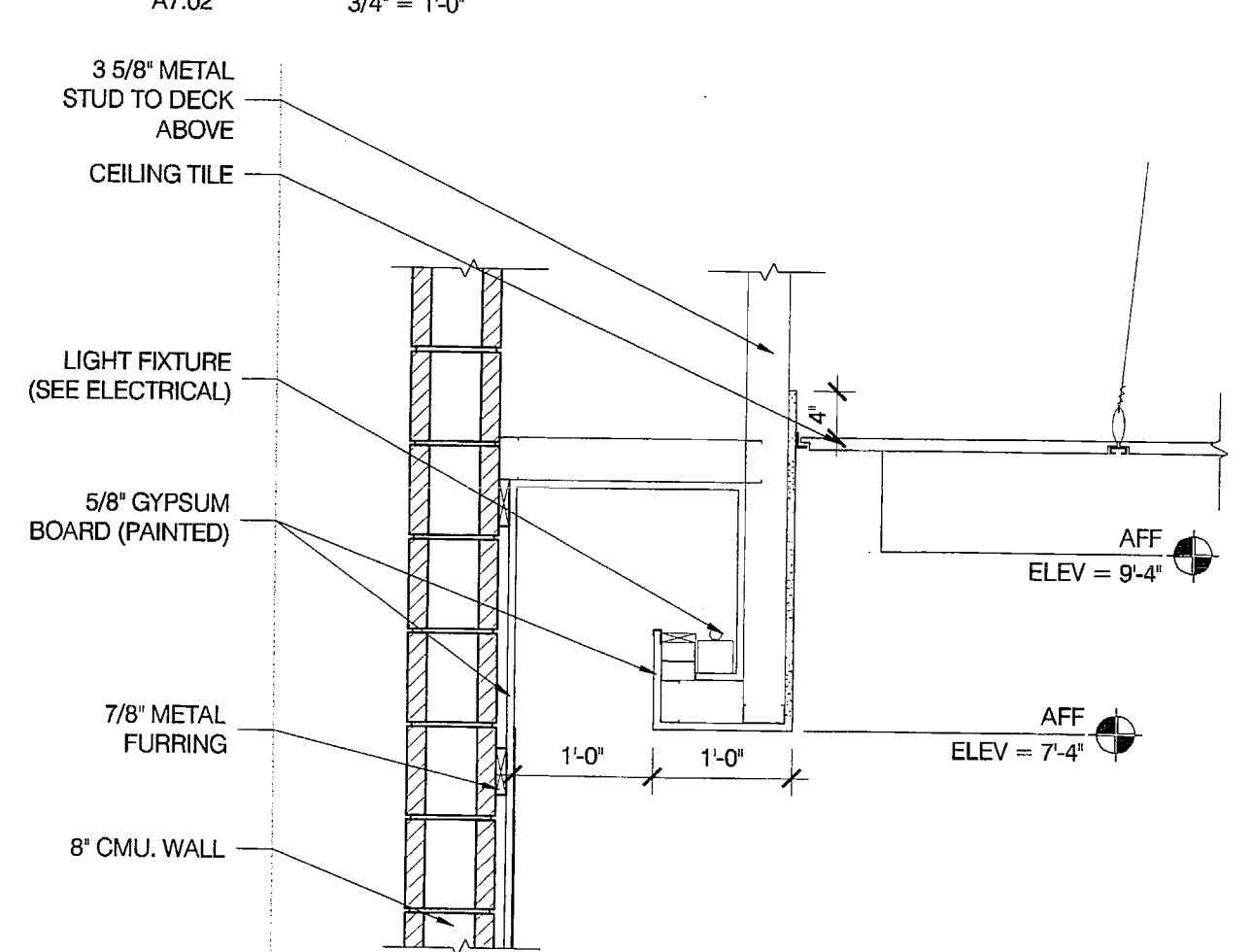
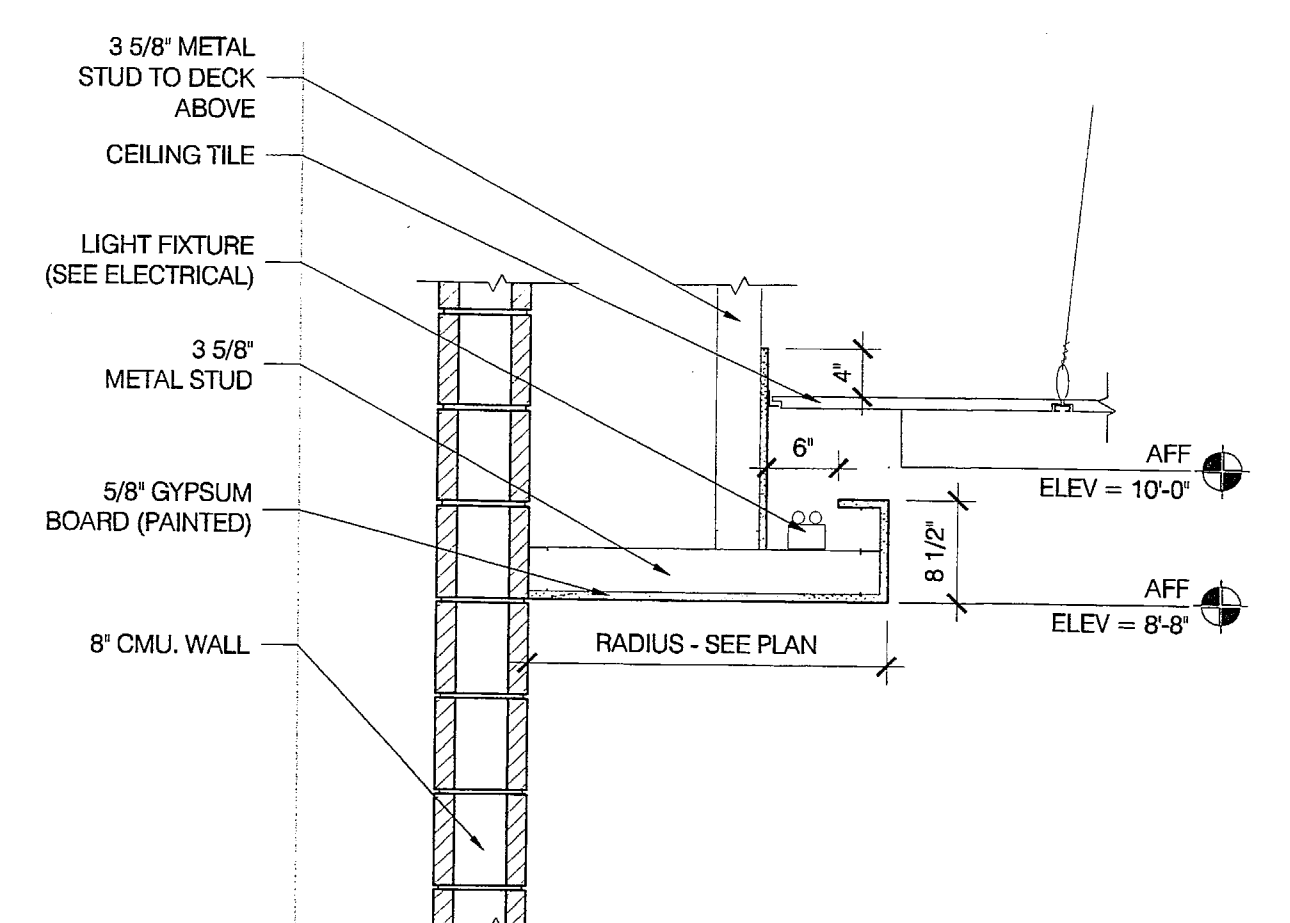
A7.02 3/4" = 1'-0"

04 BULKHEAD
DETAIL

A7.02 3/4" = 1'-0"

02 BULKHEAD
DETAIL

A7.02 3/4" = 1'-0"



CERTIFICATION
CONSTRUCTION
DOCUMENTS

CARDINAL PARK
NATORIUM

UNIVERSITY OF LOUISVILLE

Project: 03006
Drawn: D. MCCLOSKEY
Checked: J. LINDSTAEDT
Scale:
Issue Date: AUGUST 27, 2003
Revision:

MAIN LEVEL RCP
UNIT B

A7.02