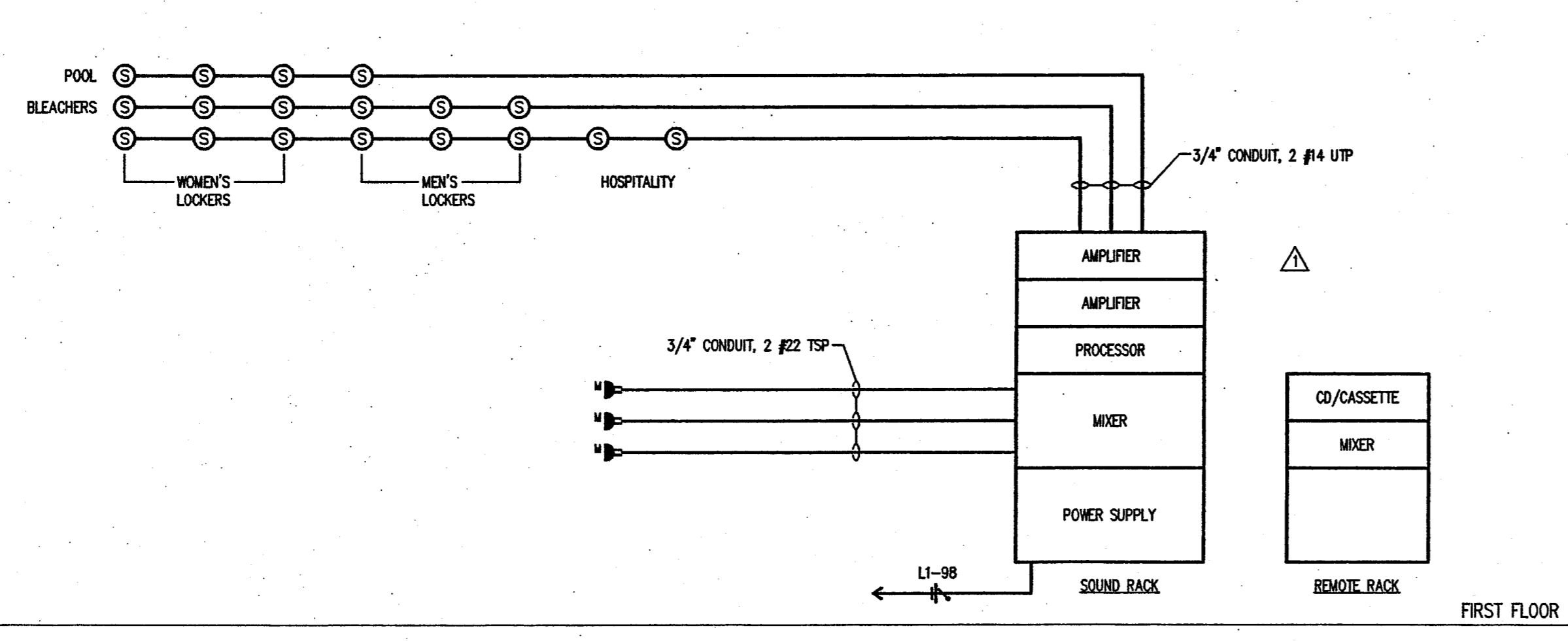


FIRE RISER GENERAL NOTES:

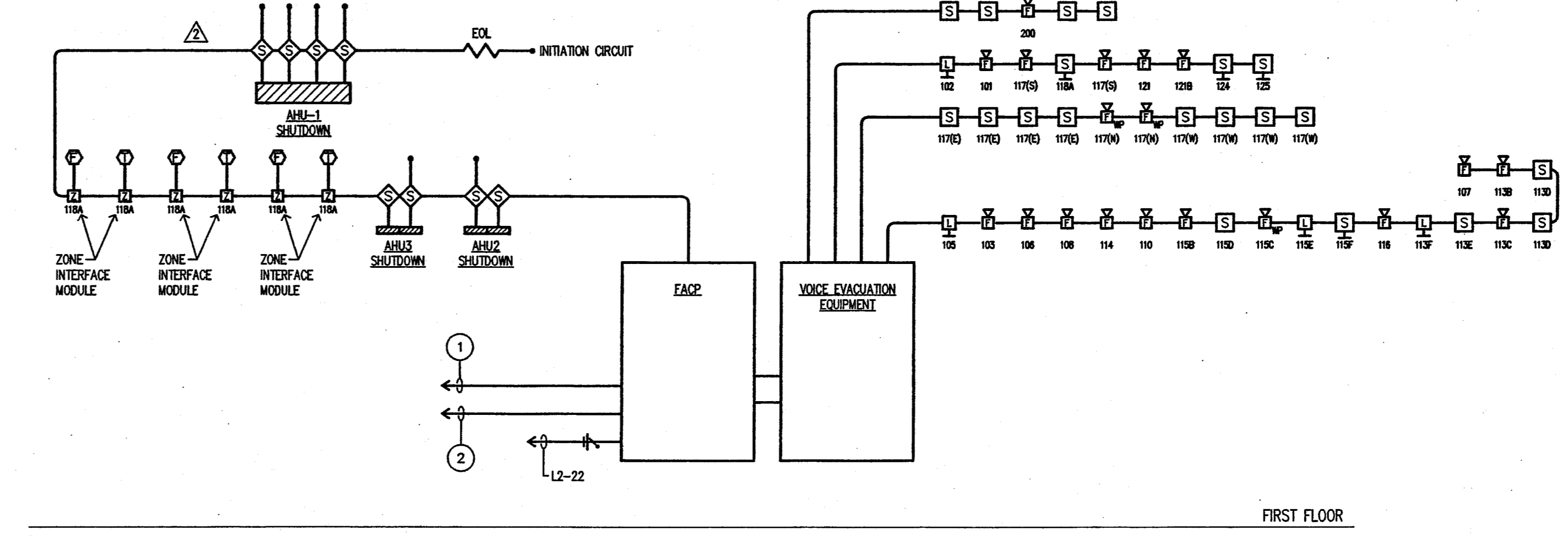
1. FIRE ALARM WIRING TO BE INSTALLED IN 3/4" CONDUIT.
2. LIMIT NUMBER OF DEVICES ON A SIGNAL CIRCUIT TO MAXIMUM RECOMMENDED BY MANUFACTURER.

FIRE RISER NOTES:

1. 1" CONDUIT WITH PULL STRING TO TELECOMMUNICATIONS ROOM FOR INTERFACE TO DEPARTMENT OF PUBLIC SAFETY.
2. 3/4" CONDUIT WITH PULL STRING TO SECURITY SYSTEM DISTRIBUTION PANEL IN ELECTRICAL ROOM. FOR REMOTE MONITORING OF FIRE ALARMS.



SOUND SYSTEM RISER DIAGRAM
NO SCALE



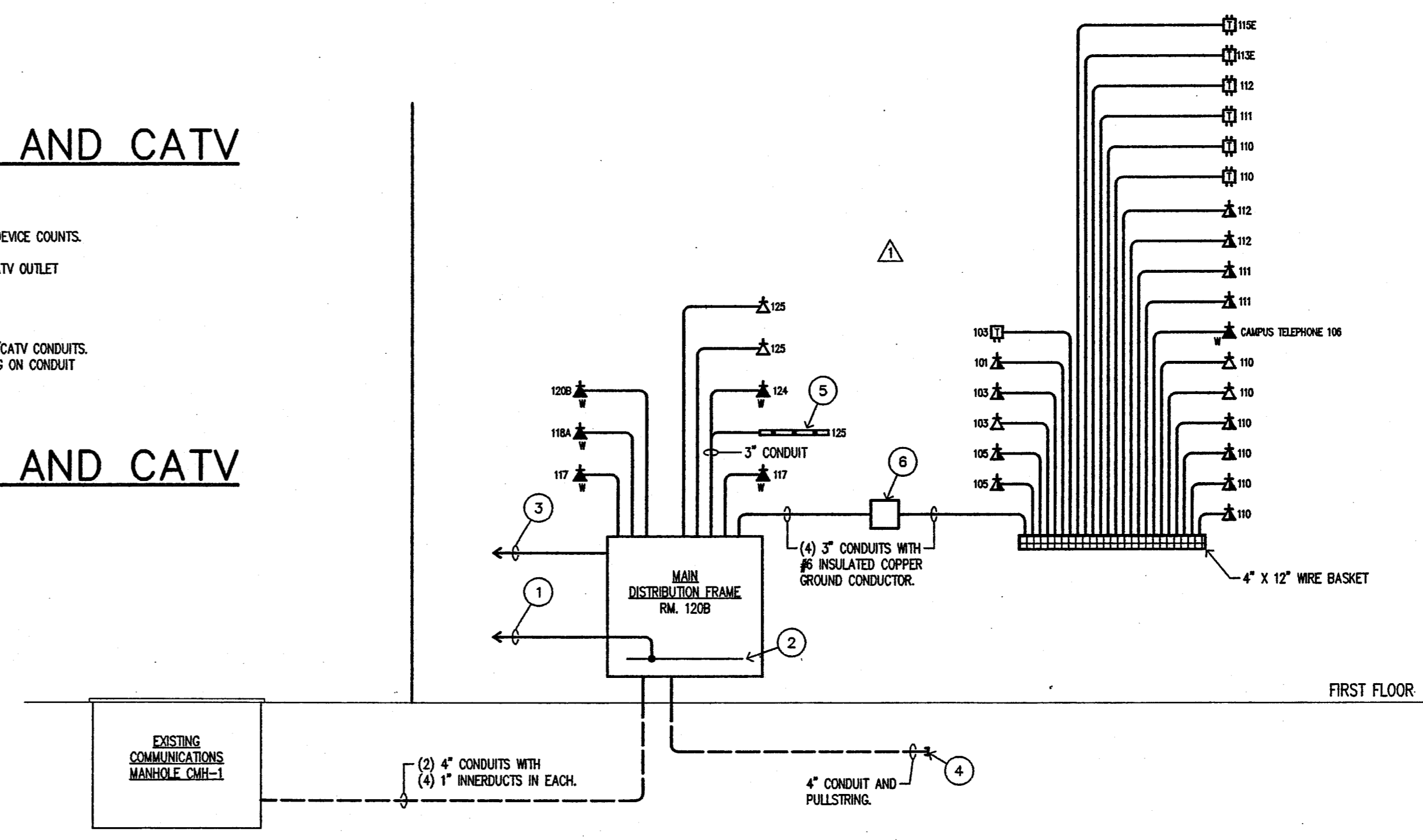
FIRE ALARM RISER DIAGRAM
NO SCALE

DATA/COMMUNICATION AND CATV GENERAL NOTES:

1. DEVICE OUTLETS SHOWN FOR REFERENCE ONLY. SEE FLOOR PLANS FOR EXACT DEVICE COUNTS.
2. INSTALL 3/4" CONDUIT WITH BUSHING FROM EACH DATA/COMMUNICATION AND CATV OUTLET TO ACCESSIBLE SPACE ABOVE CEILING.
3. INSTALL PULL STRING IN ALL RACEWAYS.
4. CONTRACTOR TO BOND WIRE BASKET TO ALL ASSOCIATED DATA/COMMUNICATION/CATV CONDUITS. INSTALL #6 CONDUCTOR FROM MECHANICAL CLAMP ON BASKET TO BOND BUSHING ON CONDUIT ENDS.

DATA/COMMUNICATION AND CATV PLAN NOTES:

1. CONNECT #6 INSULATED GROUND CONDUCTOR FROM GROUND BUS TO SERVICE ENTRANCE BONDING CONNECTION AT MAIN DISTRIBUTION PANEL.
2. 1/4" x 4" x 10'-0" LONG COPPER GROUND BUS ON TELECOMMUNICATION ROOM WALL.
3. 3/4" CONDUIT WITH PULL STRING TO SSPD FOR SECURITY INTERFACE.
4. CAP CONDUIT AT EAST PROPERTY LINE FOR INTERFACE TO TELEPHONE UTILITY. REFERENCE SHEET E101.
5. SURFACE MOUNTED NONMETALLIC RACEWAY.
6. 24" x 24" PULL BOX.

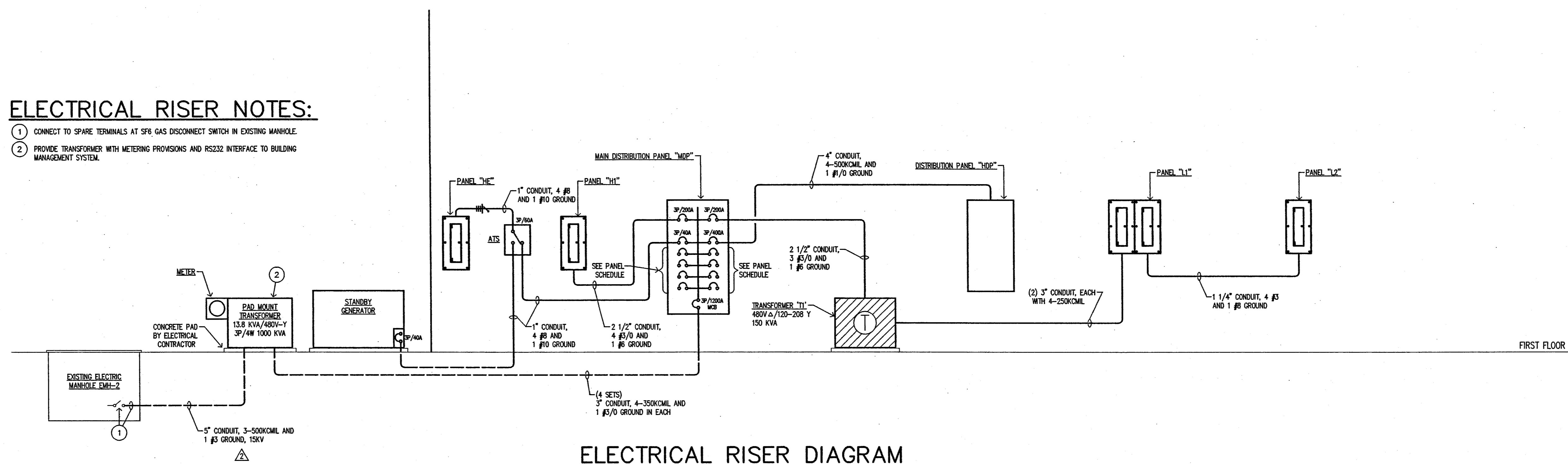


DATA/COMMUNICATION AND CATV RISER DIAGRAM
NO SCALE

THIS SET IS A COMPILATION OF THE ORIGINAL BIDDING DOCUMENTS AND ADDENDA ONE THROUGH SEVEN. IT IS PROVIDED FOR CONVENIENCE ONLY. THE ARCHITECTS AND ENGINEERS SHALL NOT BE RESPONSIBLE FOR OMISSIONS FROM THE ORIGINAL BIDDING DOCUMENTS. REFER TO THE ORIGINAL BIDDING DOCUMENTS AND ADDENDA FOR RECORD DOCUMENTS AND CONTRACT DOCUMENTS.

ELECTRICAL RISER NOTES:

1. CONNECT TO SPARE TERMINALS AT SF6 GAS DISCONNECT SWITCH IN EXISTING MANHOLE.
2. PROVIDE TRANSFORMER WITH METERING PROVISIONS AND RS232 INTERFACE TO BUILDING MANAGEMENT SYSTEM.



ELECTRICAL RISER DIAGRAM
NO SCALE

**CERTIFICATION
CONSTRUCTION
DOCUMENTS**

**CARDINAL PARK
NATATORIUM**

UNIVERSITY OF LOUISVILLE

Project: 08006
Drawn: LARRY STUFFLE
Checked: JEFF WYLLIE
Scale: NO SCALE
Issue Date: AUGUST 28, 2003
Revision: 10.7.03 ADDENDUM #2
10.20.03 ADDENDUM #1
03.30.04 TRAILER SET

**RISER DIAGRAMS
ELECTRICAL**

E401

G:\elect\030006\E401.dwg, 03/29/2004 02:00:48 PM, Danyle Zybert