

BROWNING DAY MULLINS DIERDORF ARCHITECTS

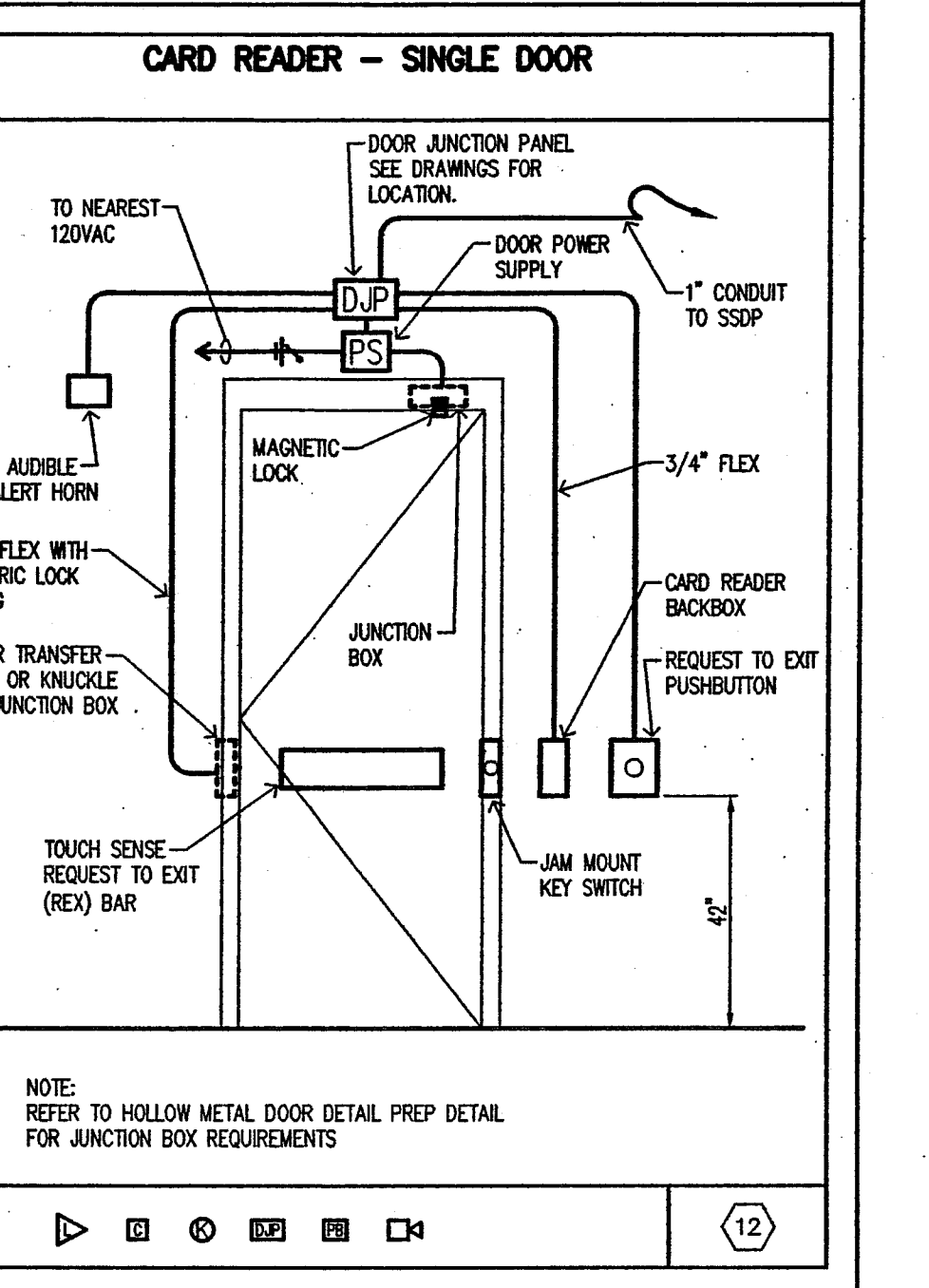
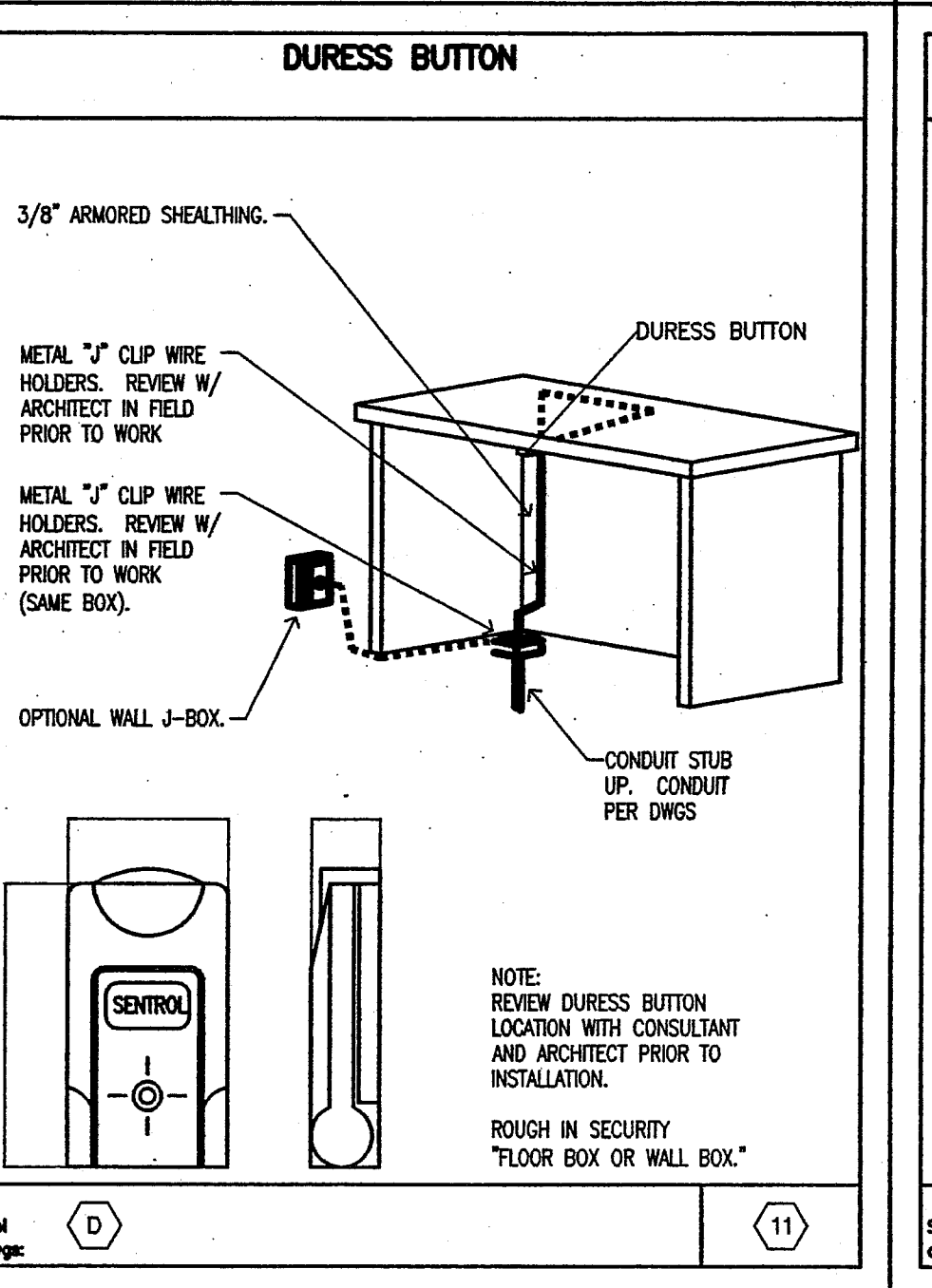
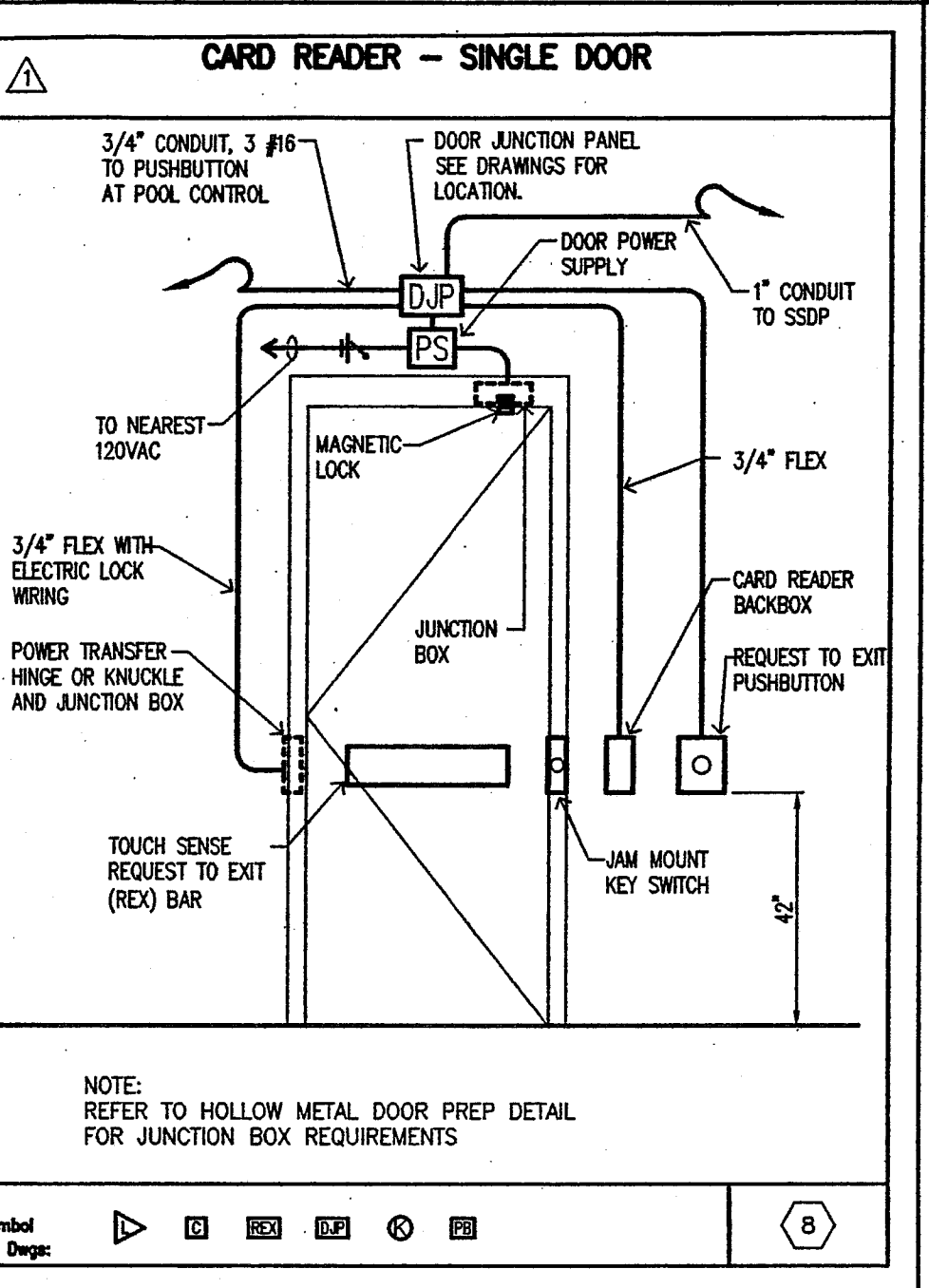
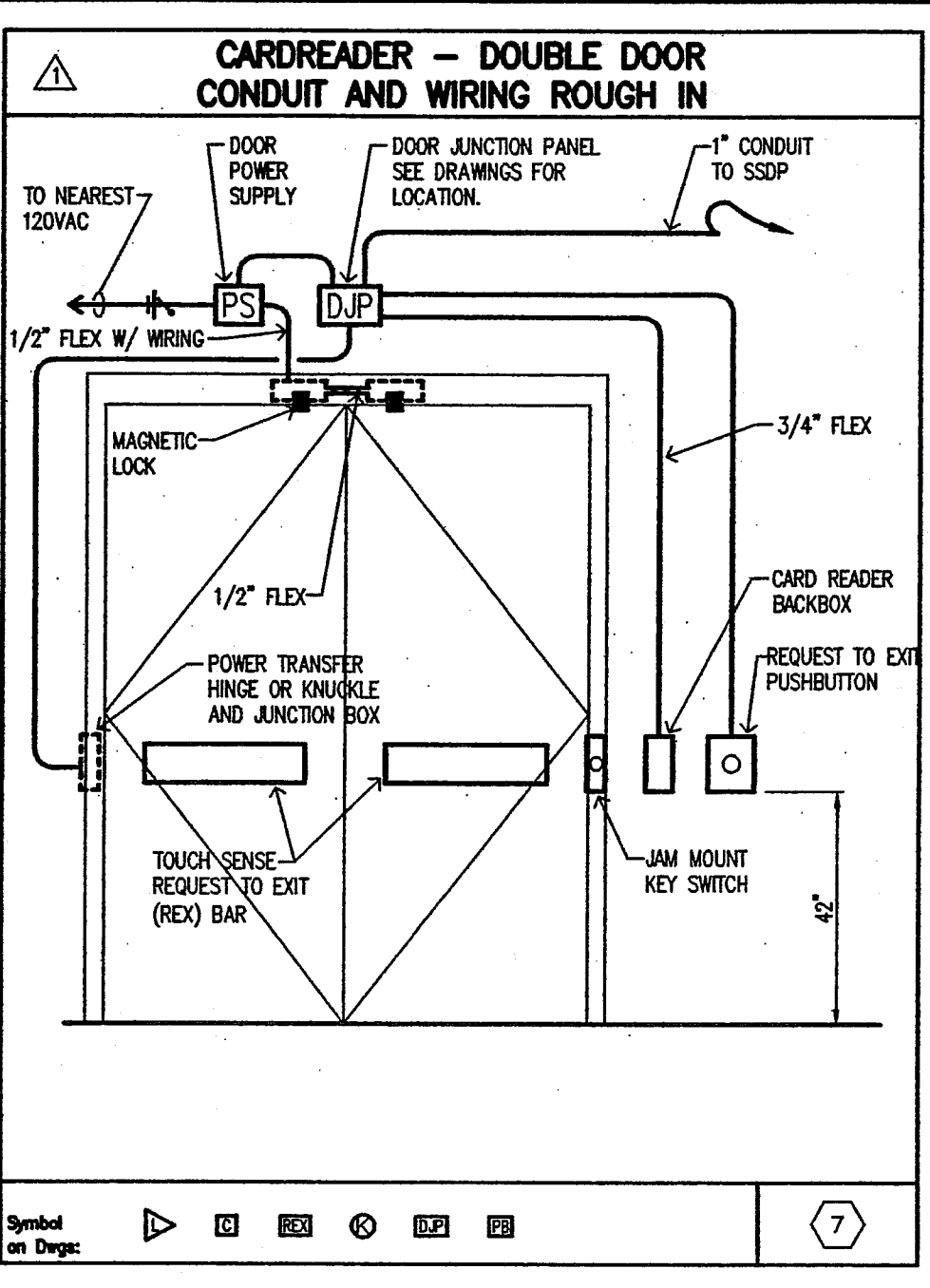
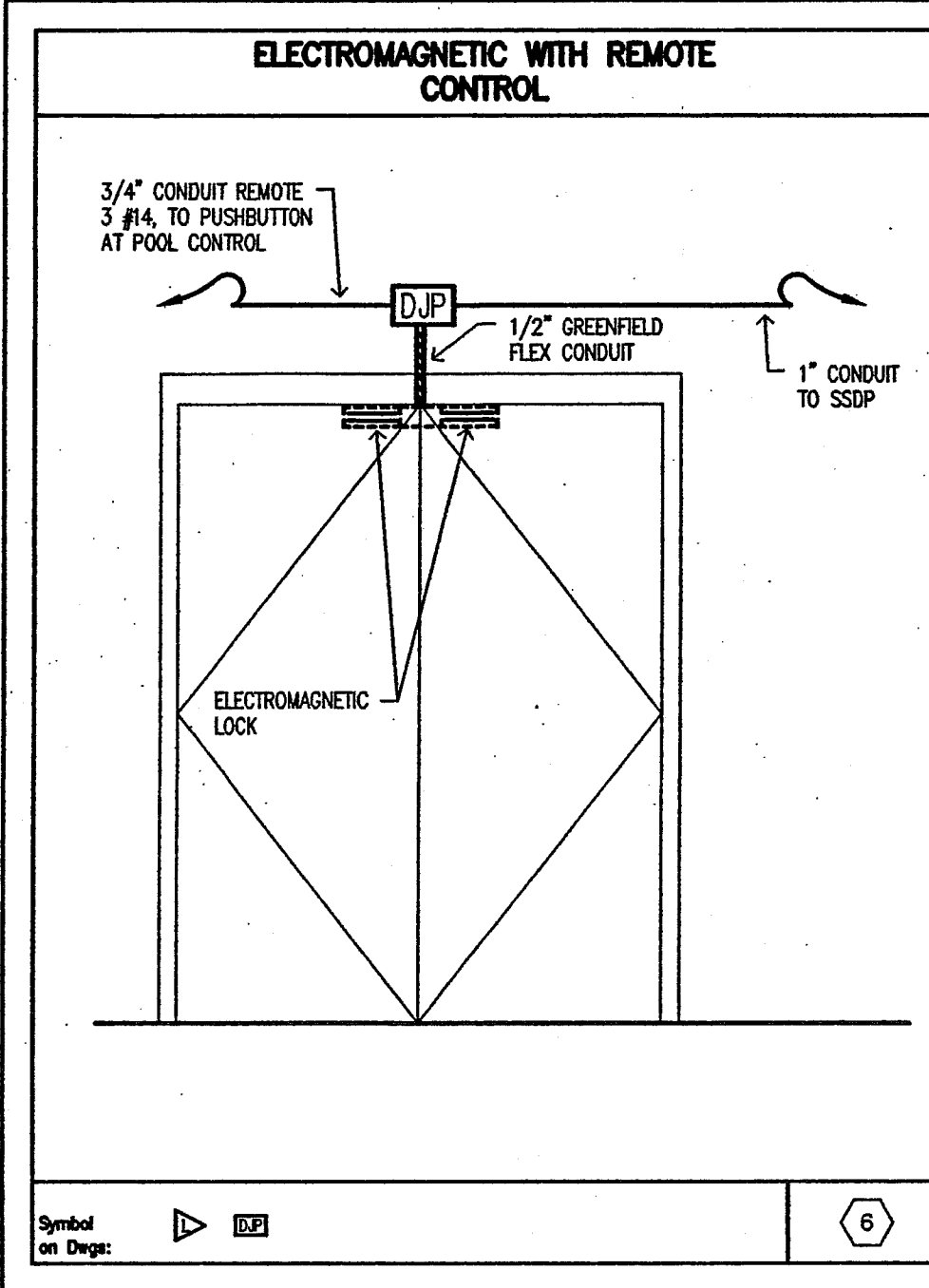
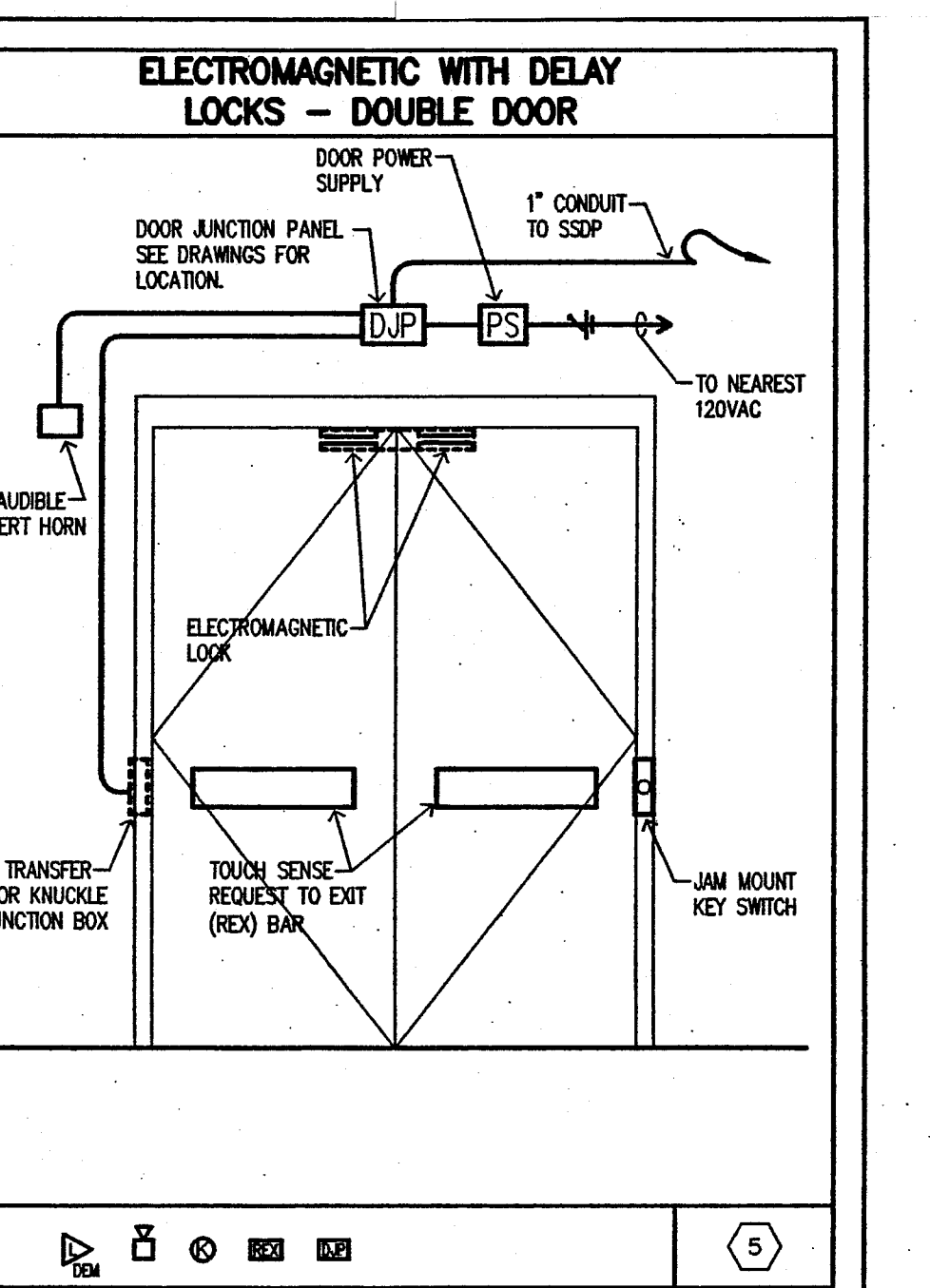
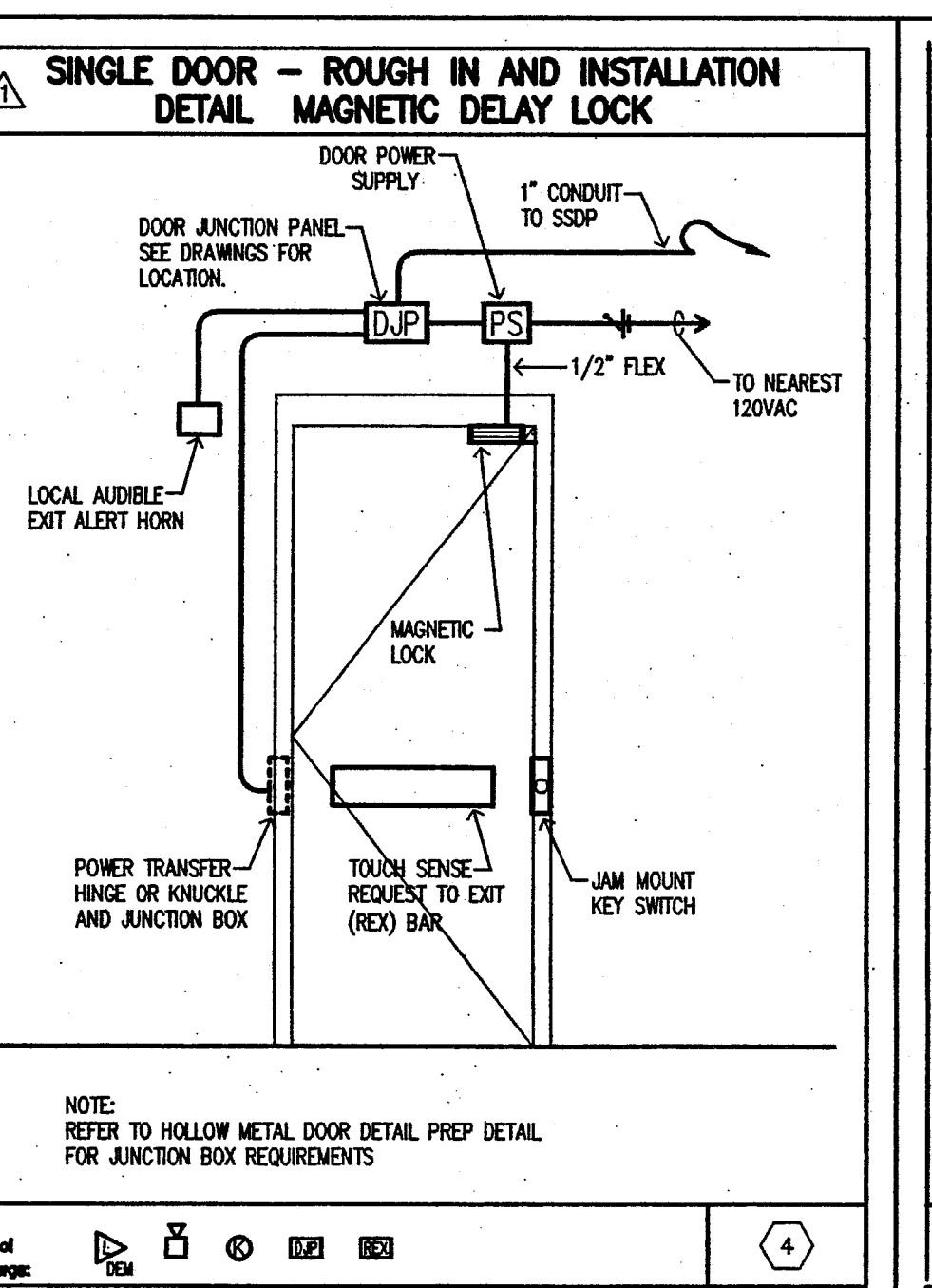
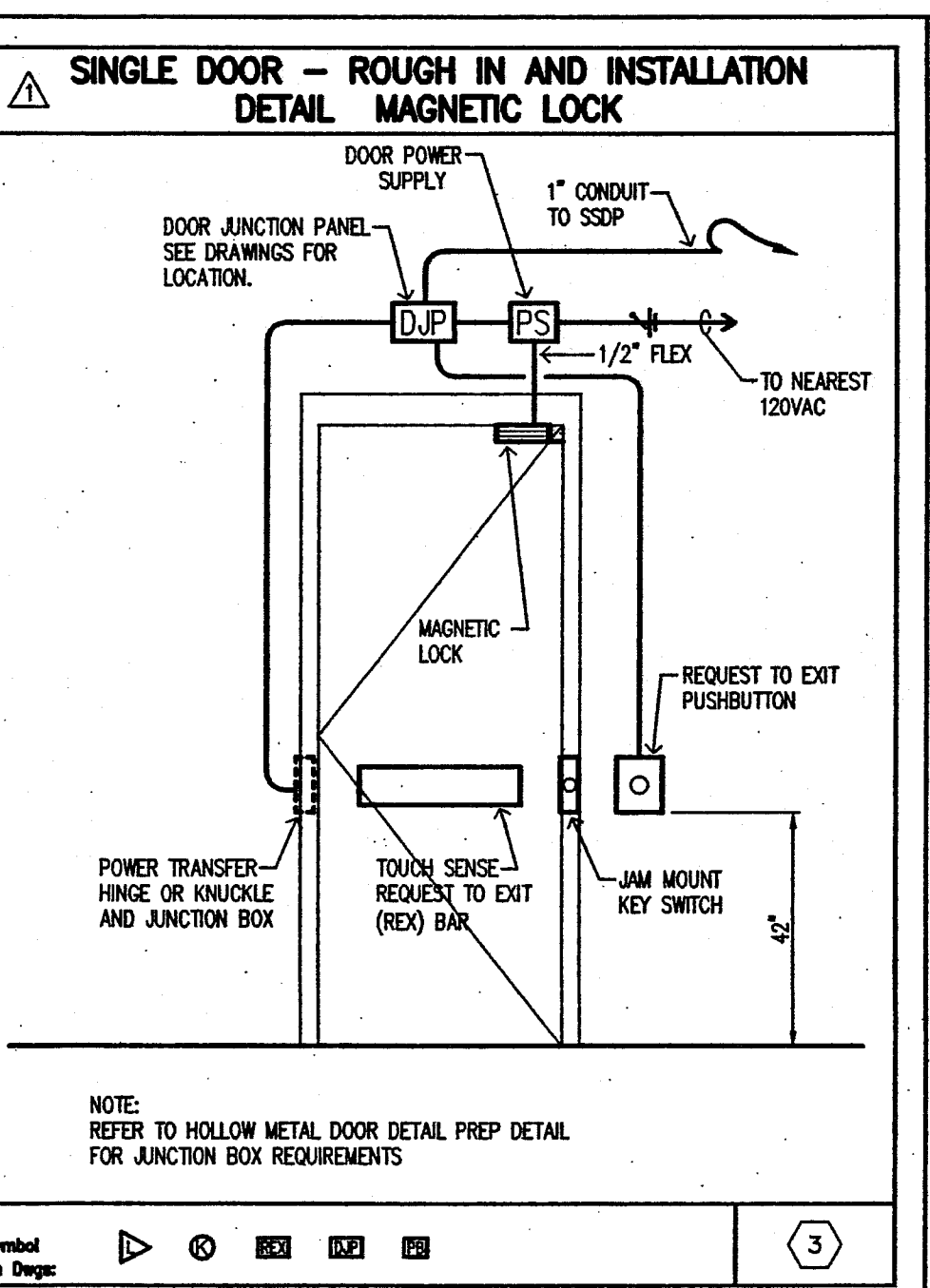
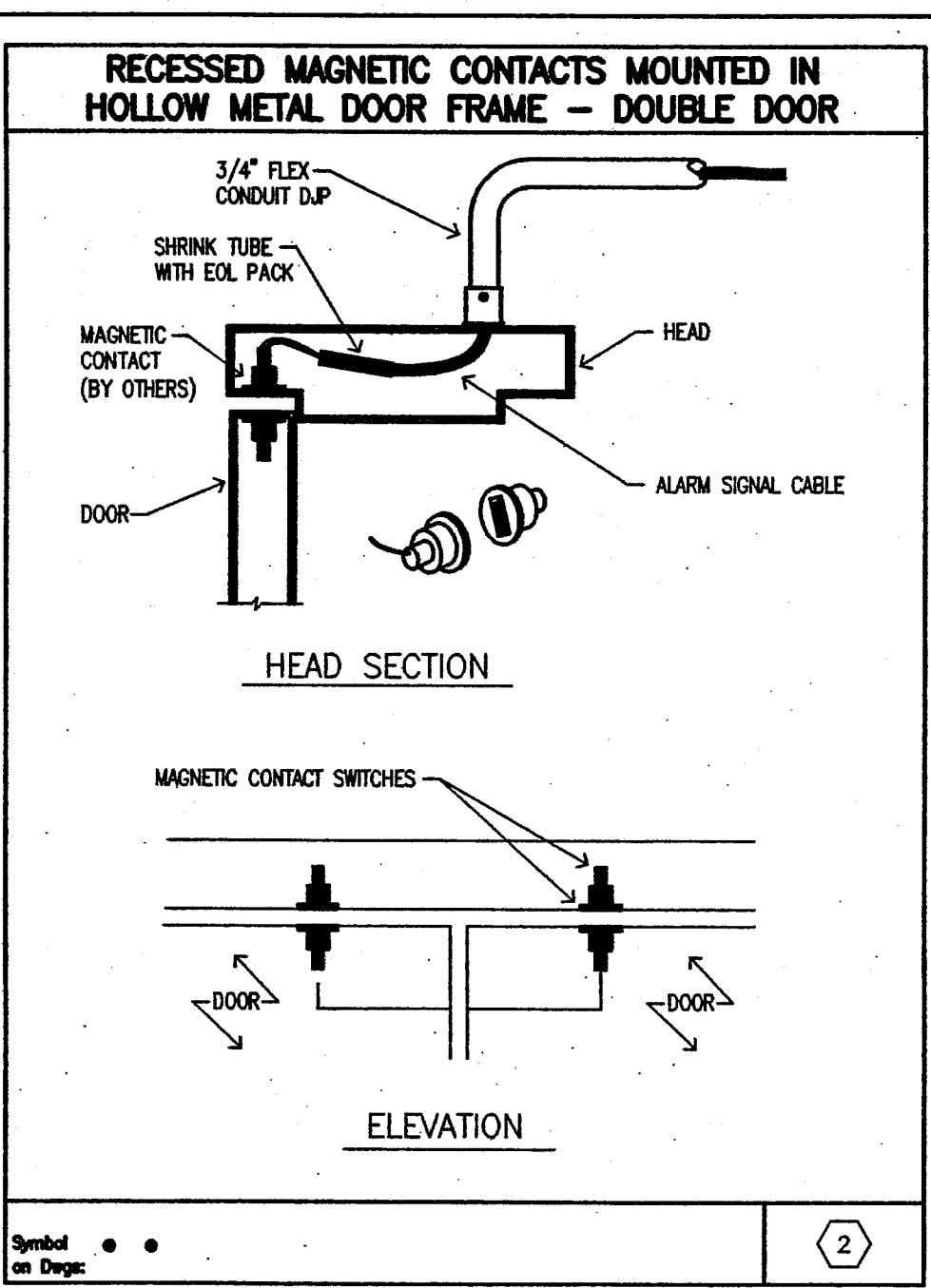
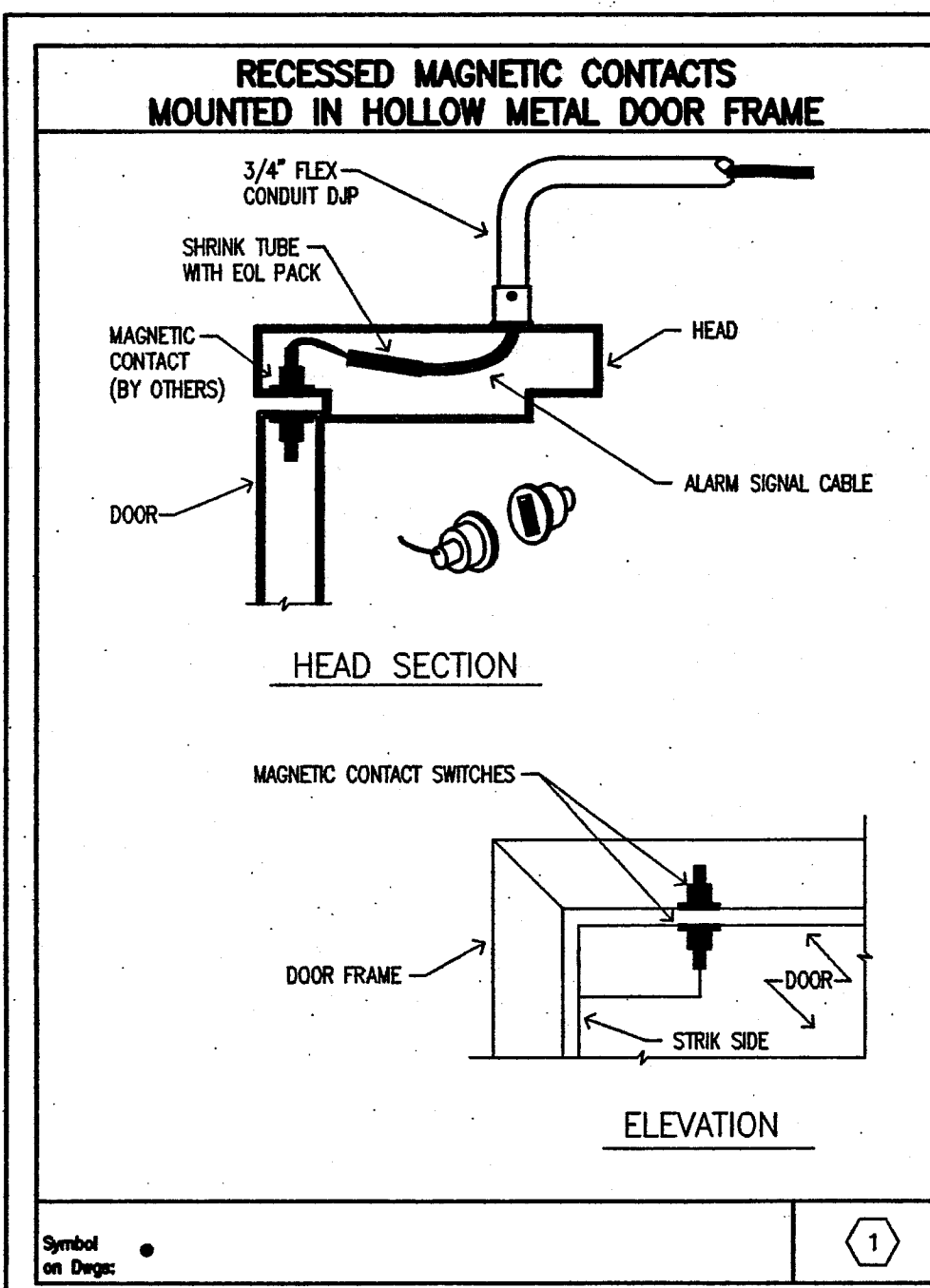
Browning Day Mullins Dierdorf Inc
Architects
Landscape Architecture
Planning

334 North Senate Avenue
Indianapolis, IN 46204
P: 317.636.5030
F: 317.634.5409
E-Mail: jmdstae@bmdnd.com

Circle Design Group, Inc.
MEP Engineer
5810 S. East Street, Suite F
Indianapolis, Indiana 46227
PHONE: 317.781.6200
FAX: 317.781.6201
E-MAIL: kerry@circledesigngroup.com

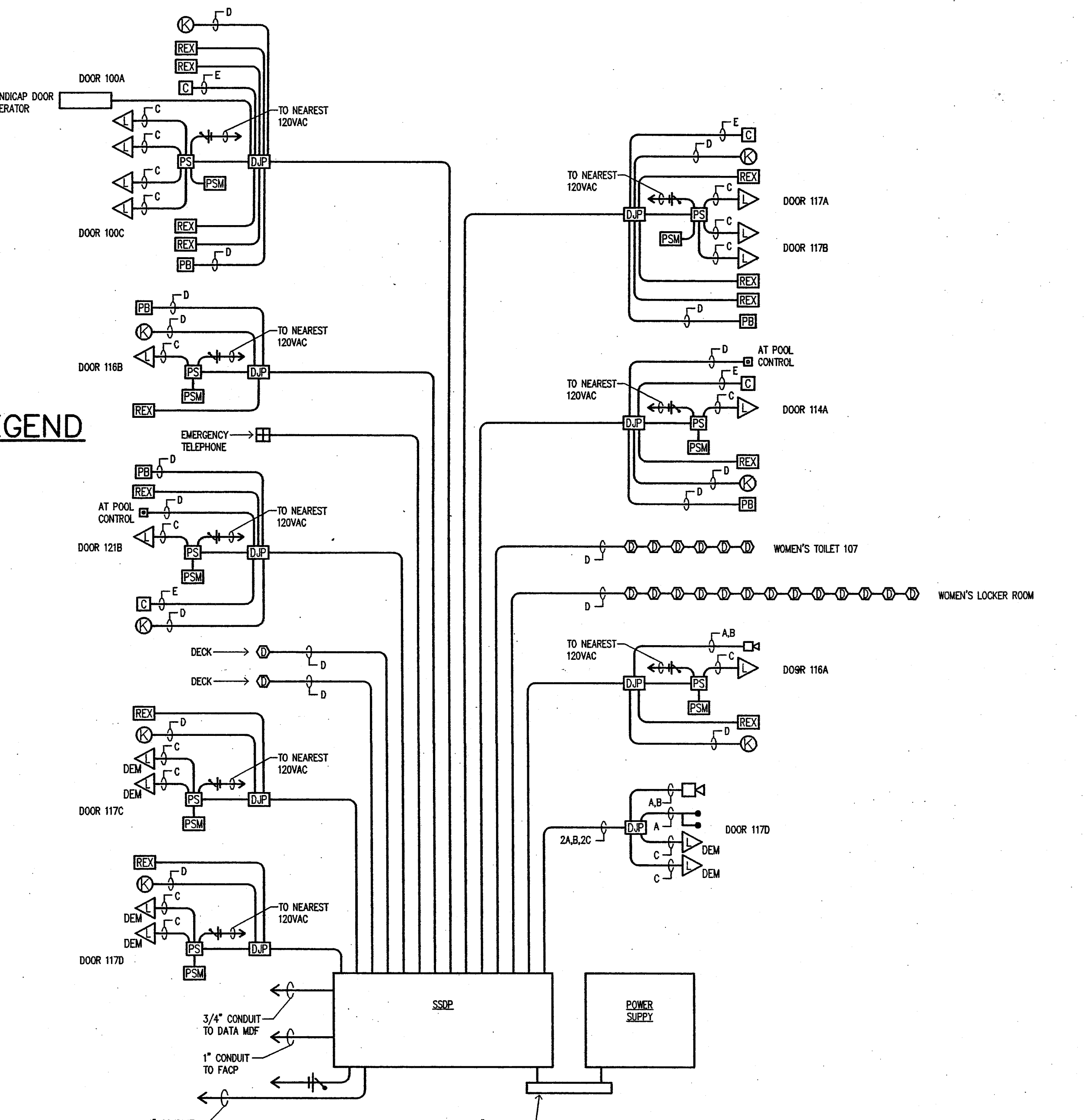
Lawson Eiser Engineering Consultants
Structural Engineers
580 East Carmel Drive, Suite 310
Carmel, Indiana 46032
P: 317.874.9409
F: 317.874.9431
E-MAIL: mlawson@lawsoneiser.com

Skees Engineering Inc.
Civil Engineers
400 Blankenbaker Parkway, Suite 300
Louisville, KY 40243
P: 502.254.2344
F: 502.254.3008
E-MAIL: smckimmon@skees.com



CABLE LEGEND

MARK	DESCRIPTION
A	2x #20 TSP
B	2x #18 TSP
C	2x #16 TSP
D	2x #16
E	6x #18 OVERALL SHIELD



SECURITY RISER DIAGRAM
NO SCALE

THIS SET IS A COMPILATION OF THE ORIGINAL BIDDING DOCUMENTS AND ADDENDA ONE THROUGH SEVEN. IT IS PROVIDED FOR CONVENIENCE ONLY. THE ARCHITECTS AND ENGINEERS SHALL NOT BE RESPONSIBLE FOR OMISSIONS FROM THE ORIGINAL BIDDING DOCUMENTS. REFER TO THE ORIGINAL BIDDING DOCUMENTS AND ADDENDA FOR RECORD DOCUMENTS AND CONTRACT DOCUMENTS.

CERTIFICATION CONSTRUCTION DOCUMENTS

CARDINAL PARK NATATORIUM

UNIVERSITY OF LOUISVILLE

Project: 03008
Drawn: LARRY STUFFLE
Checked: JEFF WYLIE
Scale: NO SCALE
Issue Date: AUGUST 28, 2003
Revision: 10.20.03 ADDENDUM #1
10.30.04 TRAILER SET

SECURITY SYSTEM RISER AND DETAILS

E402