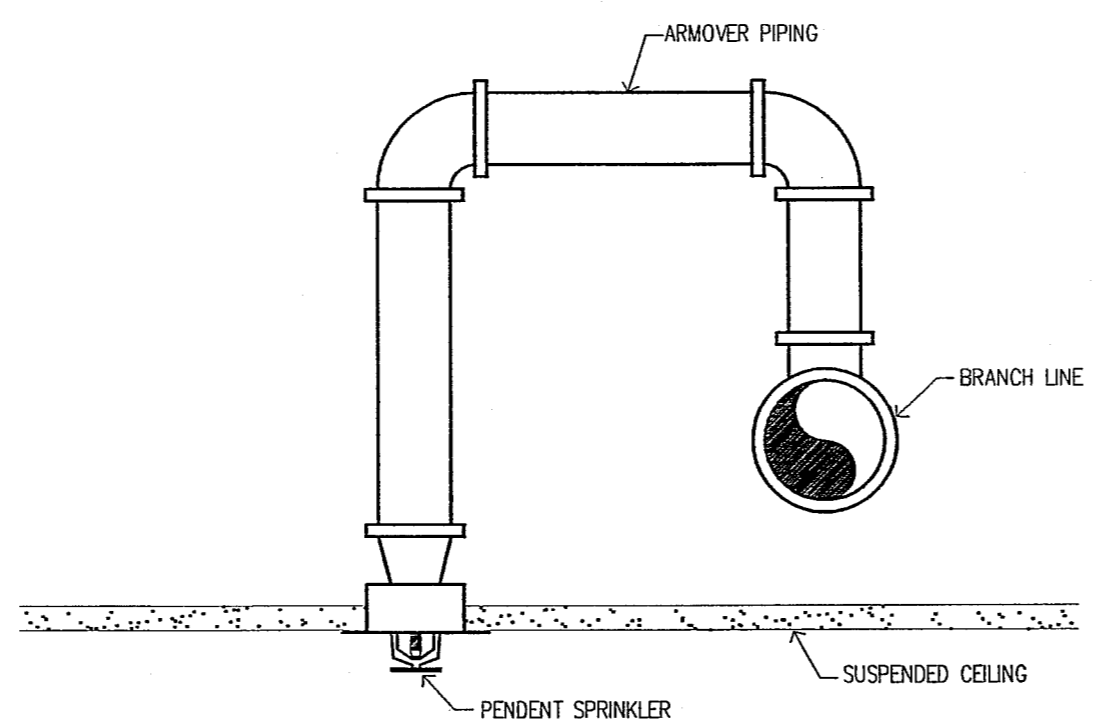
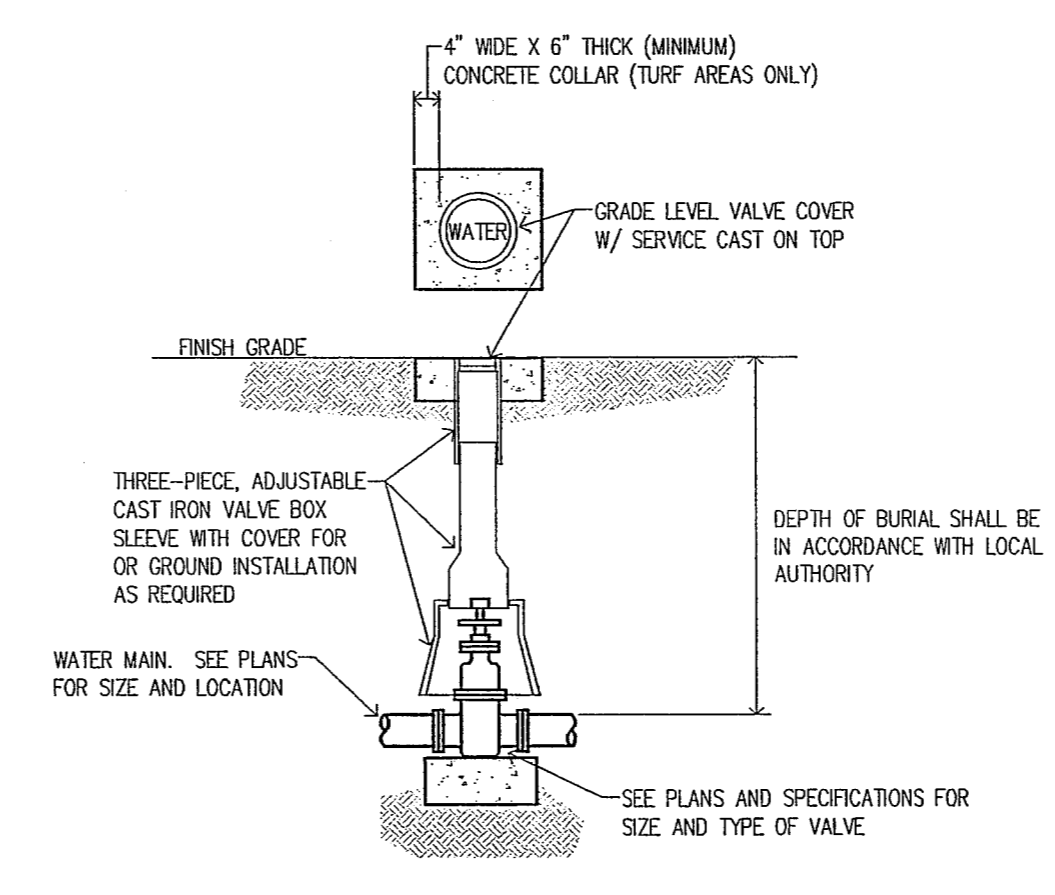


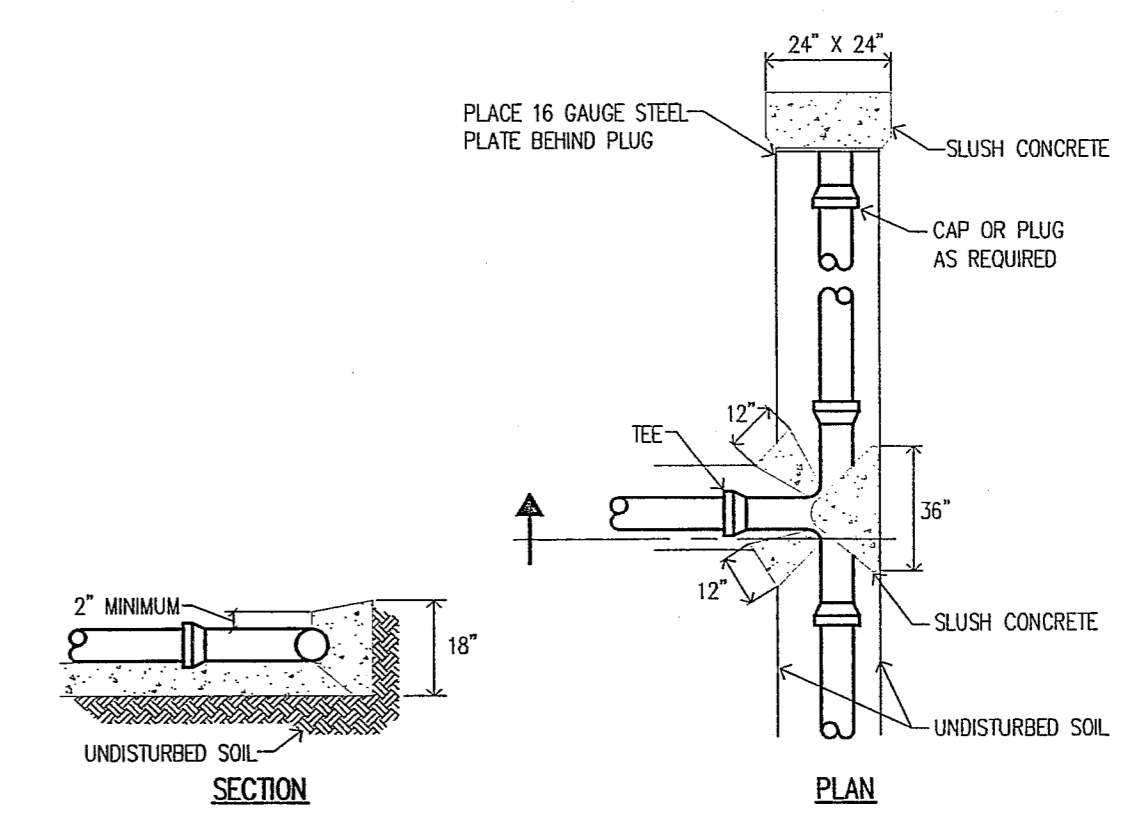
**AUTOMATIC SPRINKLER ZONE CONTROL VALVE  
DETAIL A**  
NO SCALE



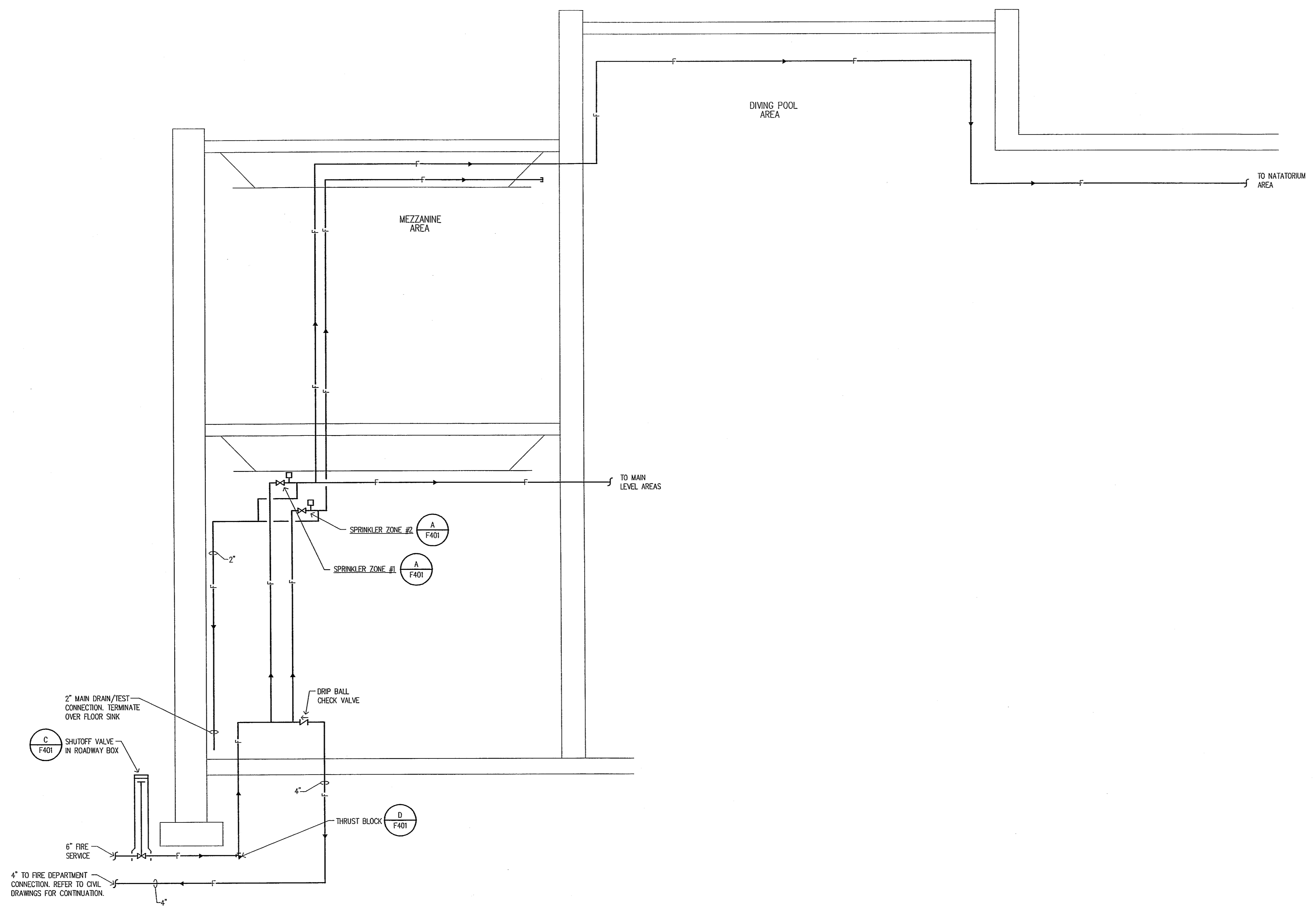
**RETURN BEND  
DETAIL B**  
NO SCALE



**UNDERGROUND GATE VALVE WITH ROADBOX  
DETAIL C**  
NO SCALE



**WATER MAIN SUPPORT AND THRUST BLOCK  
DETAIL D**  
NO SCALE



**FIRE RISER PIPING  
DIAGRAM E**  
NO SCALE



*Jeffery L. Wyle*  
CERTIFICATION

**CONSTRUCTION DOCUMENTS**

**CARDINAL PARK NATATORIUM**

**UNIVERSITY OF LOUISVILLE**

Project: 03005  
 Drawer: TERRY GUNN  
 Checked: GREG CHAMPION  
 Scale: AS NOTED  
 Issue Date: AUGUST 28, 2003  
 Revisions:

**DIAGRAMS  
FIRE PROTECTION**

**F401** OFFICIAL BID DOCUMENT