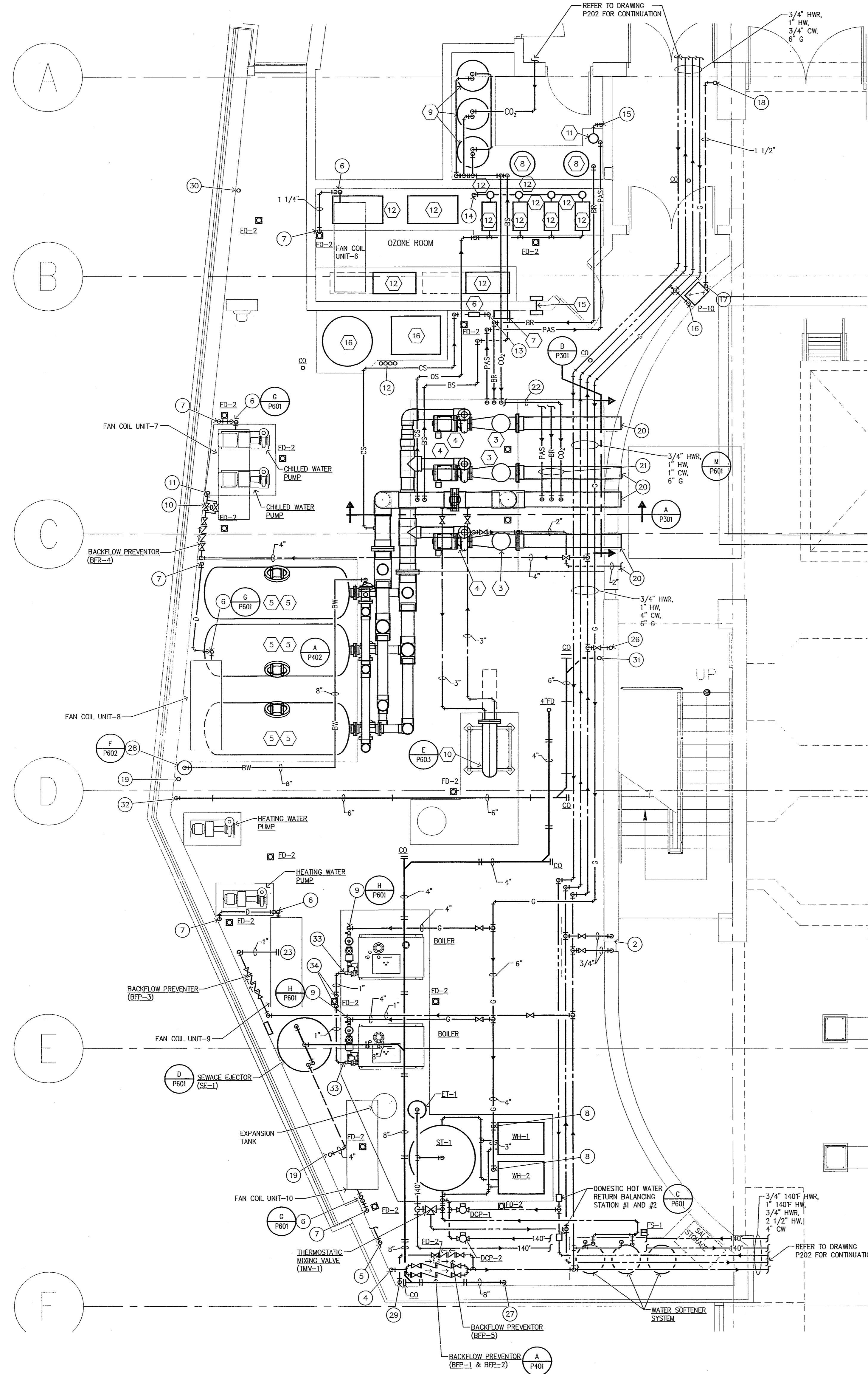
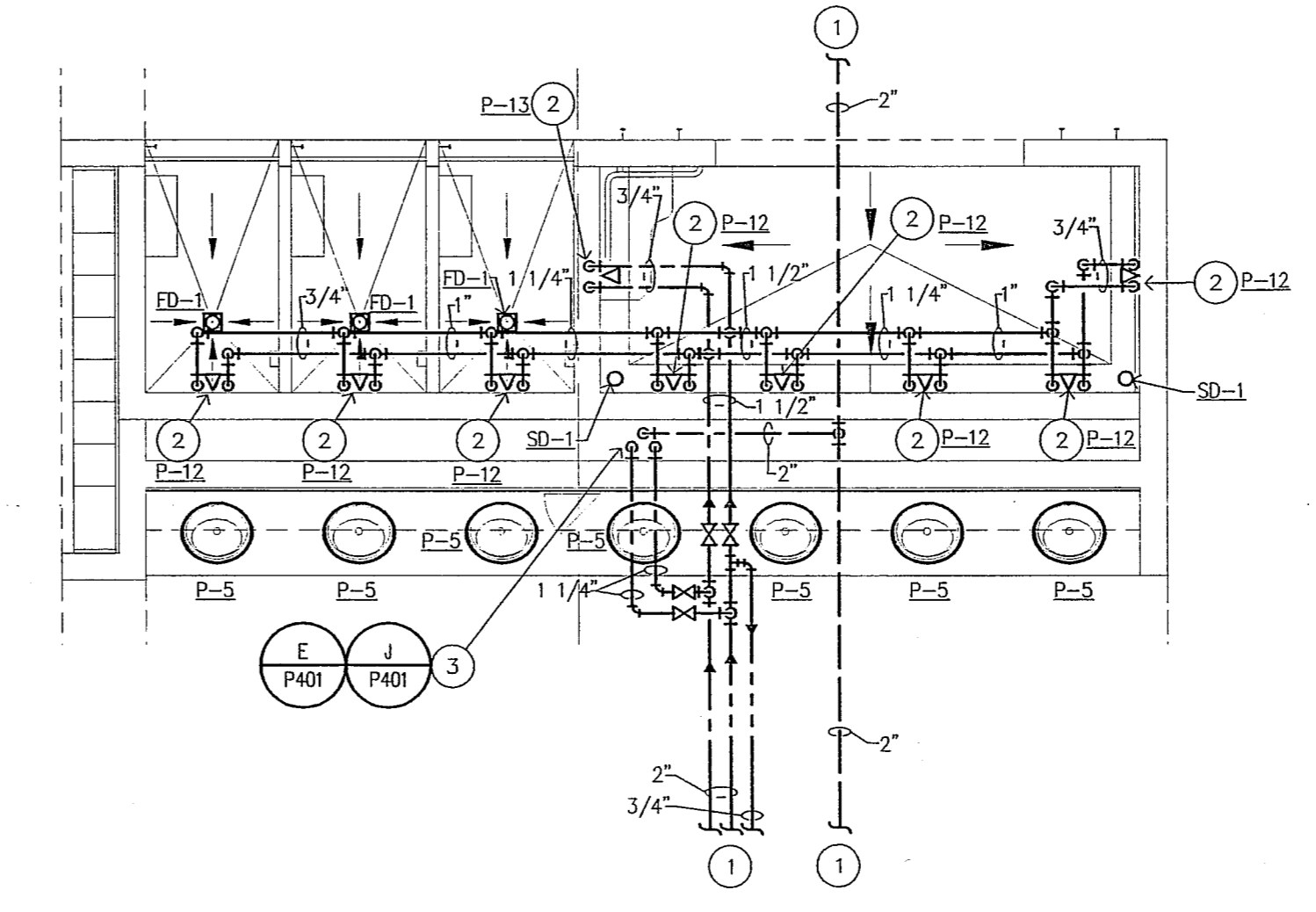


**PLAN NOTES:**

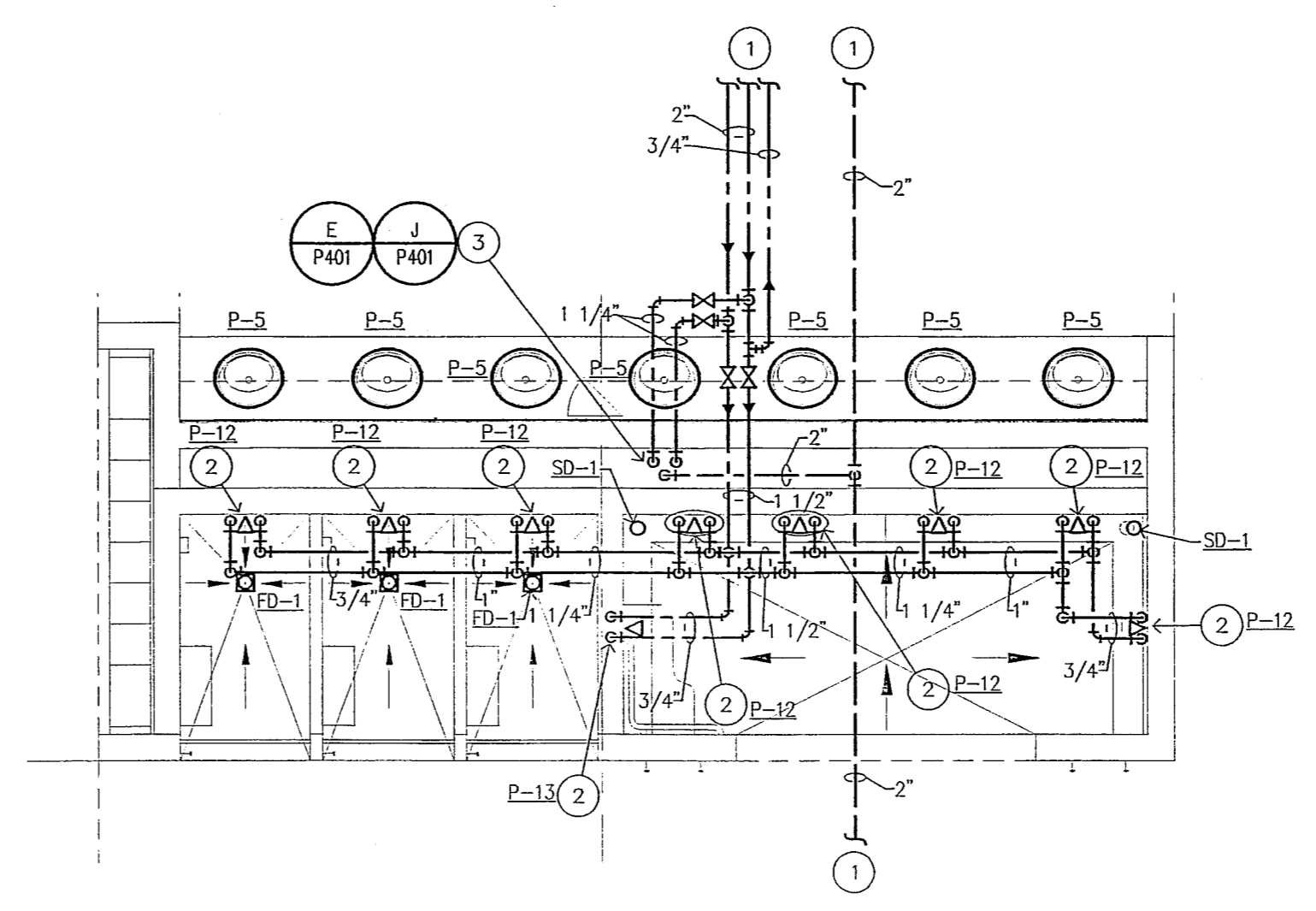
- 1 REFER TO DRAWING P202 FOR CONTINUATION.
- 2 3/4" HOT AND COLD WATER DOWN.
- 3 1 1/4" HOT AND COLD WATER, 2" WASTE DOWN, 2" VENT UP.
- 4 4" DOMESTIC WATER SERVICE FROM BELOW.
- 5 6" FIRE SERVICE FROM BELOW.
- 6 CONNECT 1 1/4" CONDENSATE DRAIN PIPING TO FAN COIL UNIT WITH "P"-TRAP ASSEMBLY, WATER AND STATIC SEAL TO BE INSTALLED PER MANUFACTURER'S RECOMMENDATION. SIZE OF TRAPS TO BE DETERMINED UPON COMPLETION OF BALANCING OF SYSTEM BY BALANCING CONTRACTOR.
- 7 TERMINATE 1 1/4" CONDENSATE DRAIN PIPING OVER FLOOR DRAIN.
- 8 3" GAS DOWN TO WATER HEATER.
- 9 4" DOWN TO BOILER GAS TRAP ASSEMBLY.
- 10 POOL MAKE-UP WATER SOLENOID VALVE ASSEMBLY.
- 11 4" POOL MAKE-UP WATER DOWN.
- 12 (4) 2 1/2" COMPRESSED AIR (SPARGER SYSTEM) DOWN.
- 13 3/4" CHEMICAL SAMPLING LINE DOWN.
- 14 2 1/2" "OZONE" PIPING DOWN.
- 15 3/4" "POLY-A" PIPING DOWN.
- 16 1/2" COLD WATER DOWN.
- 17 1 1/2" WASTE DOWN, 1 1/2" VENT UP.
- 18 1 1/2" VENT UP.
- 19 4" VENT UP.
- 20 PIPE SLEEVE WITH LINK SEAL.
- 21 BACK PIPING BELOW GRATE.
- 22 BACK PIPING ON POOL PUMP PIT WALL.
- 23 1" NON-POTABLE WATER TO BOILER MAKE-UP WATER. REFER TO HVAC DRAWINGS FOR CONTINUATION.
- 24 3" FROM FLOOR DRAIN ABOVE.
- 25 4" WASTE DOWN.
- 26 3/4" COLD WATER UP.
- 27 8" SANITARY DOWN.
- 28 8" POOL BACKWASH DOWN. TERMINATE WITH OPEN SITE CONNECTION OVER 8" WASTE PIPE.
- 29 2" NON-POTABLE WATER DOWN FOR LAWN IRRIGATION.
- 30 3" VENT UP.
- 31 6" ROOF CONDUCTOR FROM ABOVE.
- 32 6" ROOF CONDUCTOR DOWN.
- 33 CONNECT 1" CONDENSATE DRAIN PIPING TO CONDENSATE DRAIN CONNECTION ON BOILER.
- 34 TERMINATE BOILER CONDENSATE DRAIN PIPING OVER FLOOR DRAIN.



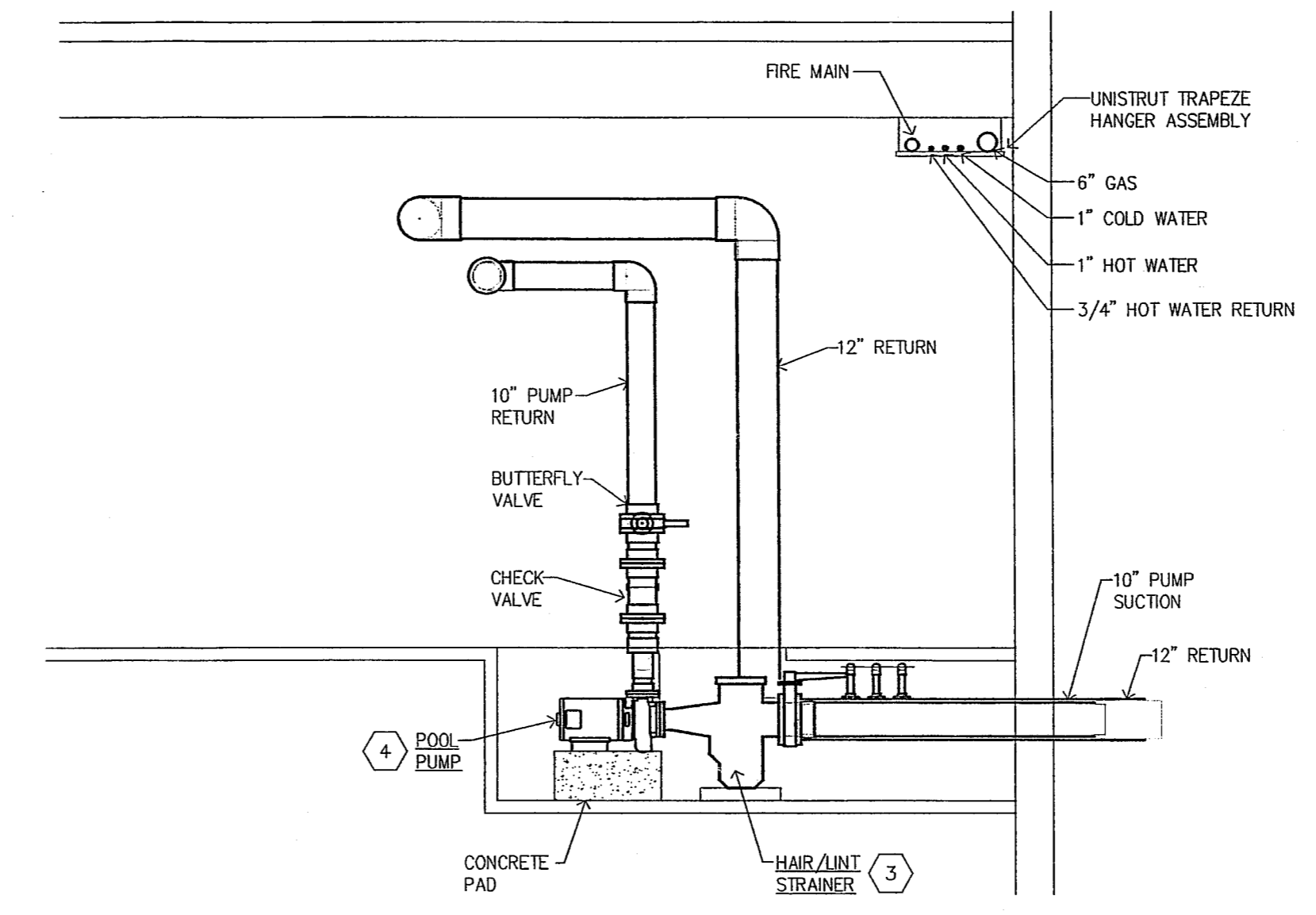
**ENLARGED MECHANICAL ROOM - PLUMBING**  
SCALE: 1/4" = 1'-0"



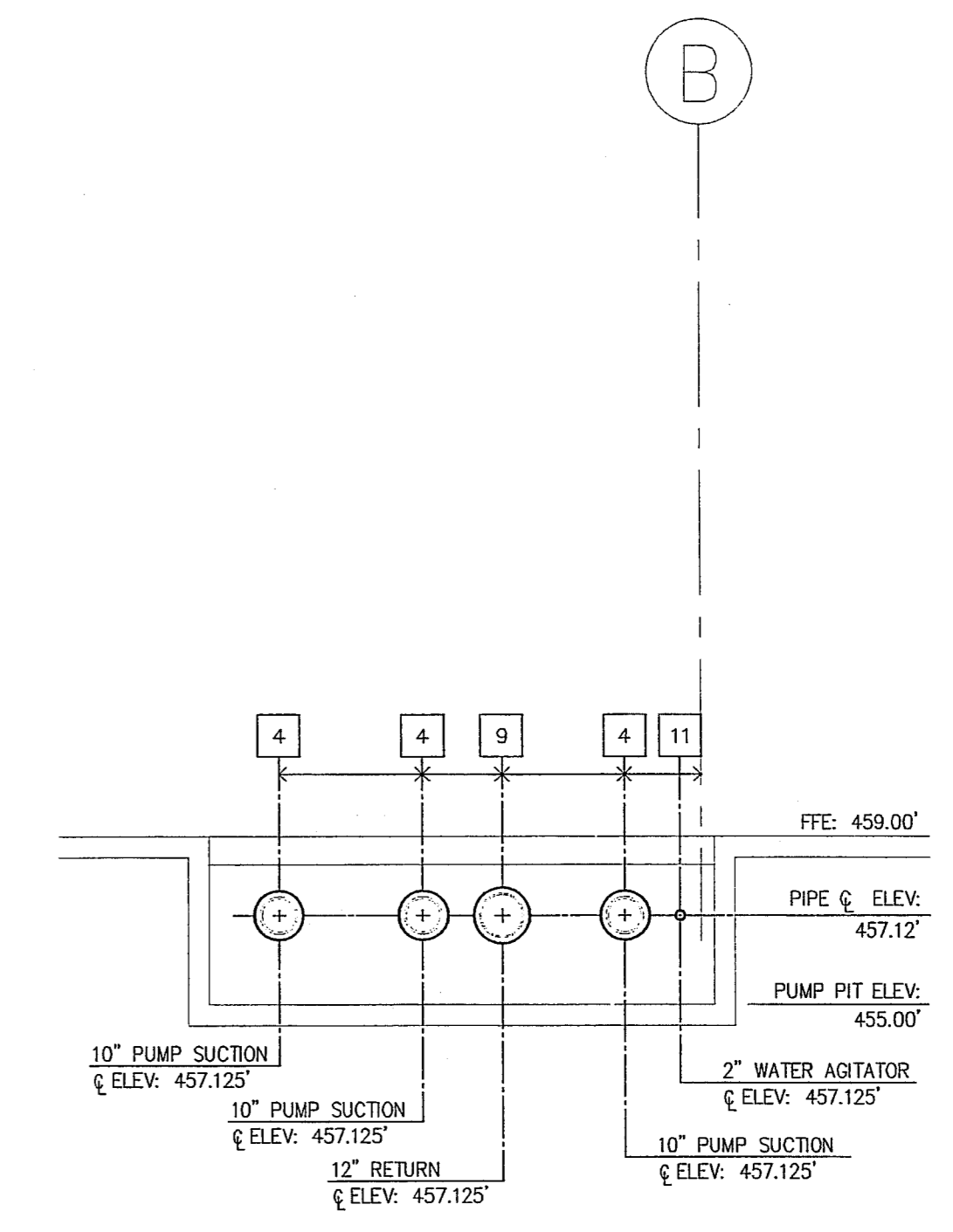
**ENLARGED SHOWER AREA - MENS SHOWER 113C**  
SCALE: 1/4" = 1'-0"



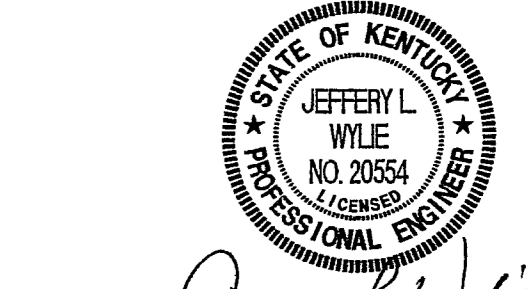
**ENLARGED SHOWER AREA - WOMENS SHOWER 115C**  
SCALE: 1/4" = 1'-0"



**POOL PUMP PIT SECTION A**  
SCALE: 1/4" = 1'-0"



**PUMP PIT SLEEVE ELEVATION B**  
SCALE: 1/4" = 1'-0"



**CERTIFICATION**  
CONSTRUCTION DOCUMENTS

**CARDINAL PARK NATATORIUM**

**UNIVERSITY OF LOUISVILLE**

Project: 03008  
Drawn: TERRY GUNN  
Checked: GREG CHAMPION  
Scale: 1/4" = 1'-0"  
Issue Date: AUGUST 28, 2003  
Revision:

**ENLARGED MECHANICAL AND SHOWER ROOMS PLUMBING**

**P301**