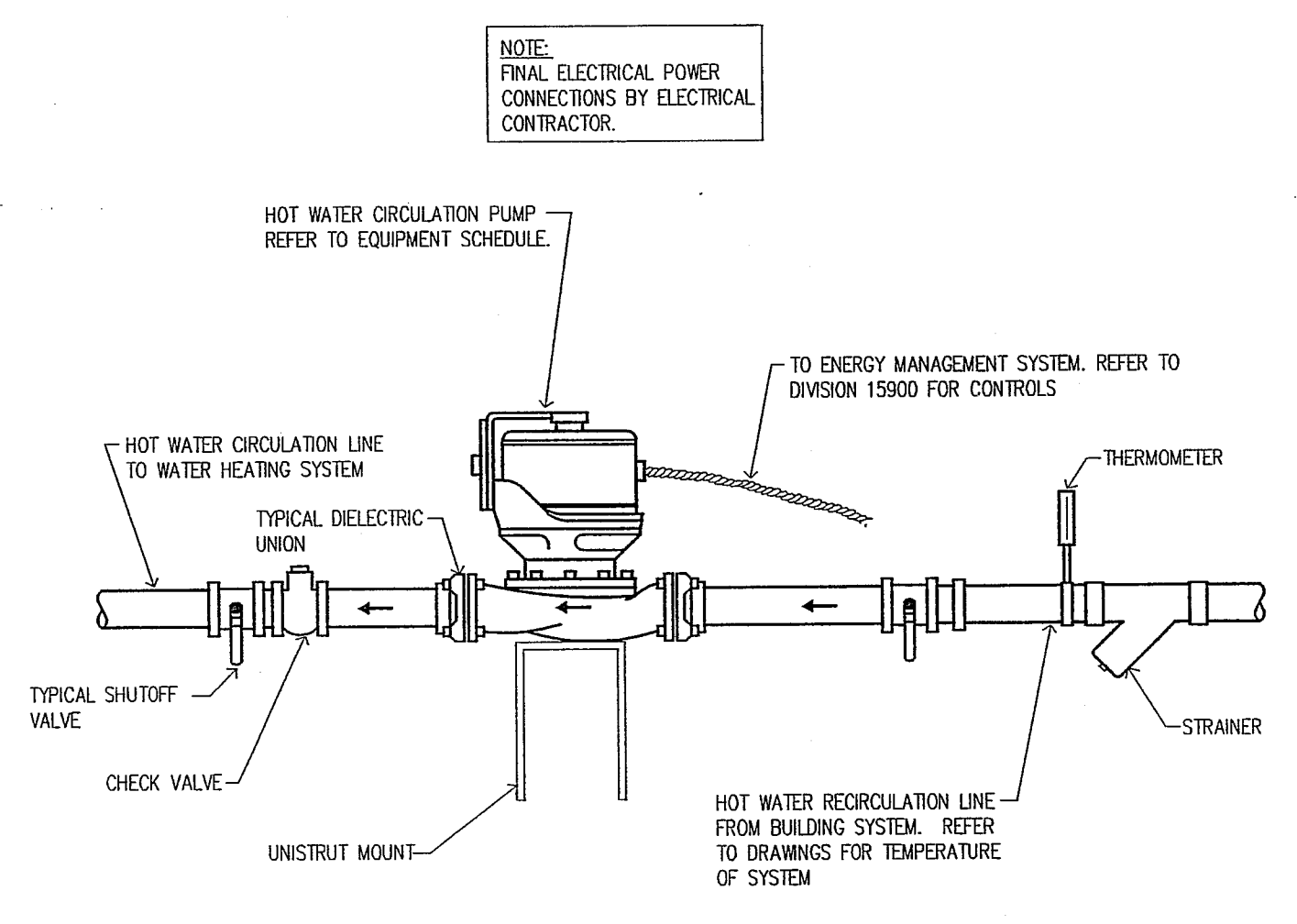
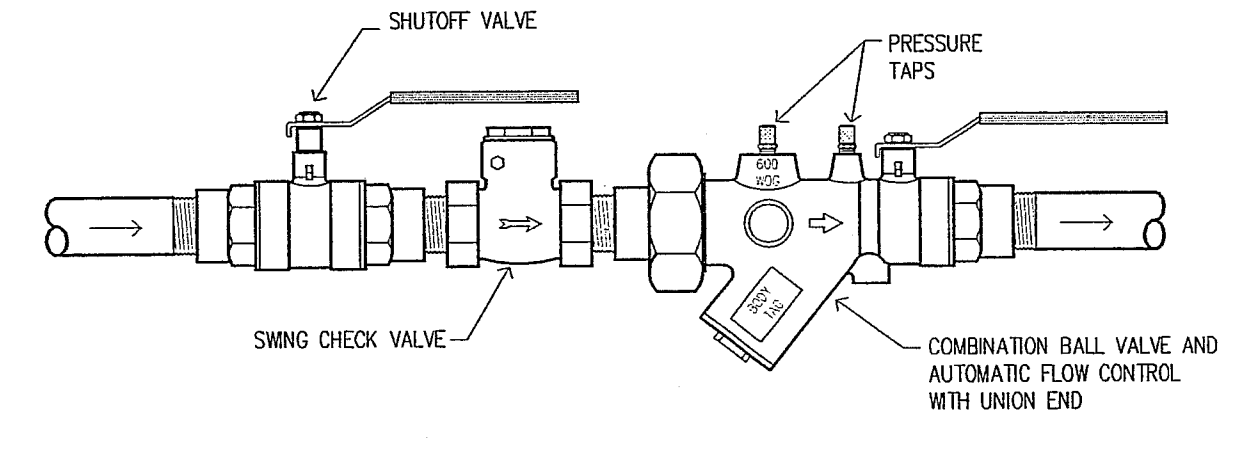


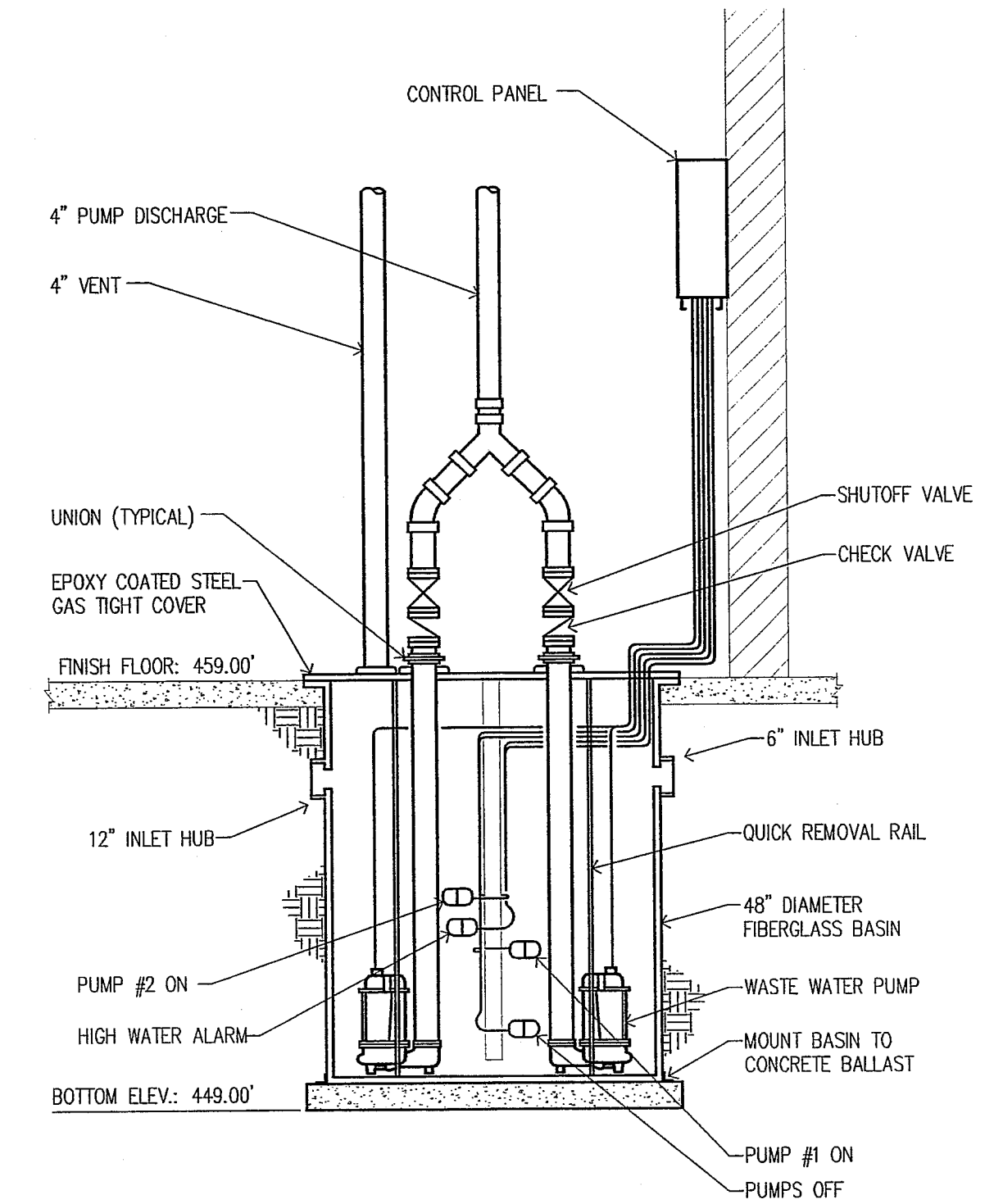
**WASHER CONNECTION
DETAIL A**
NO SCALE



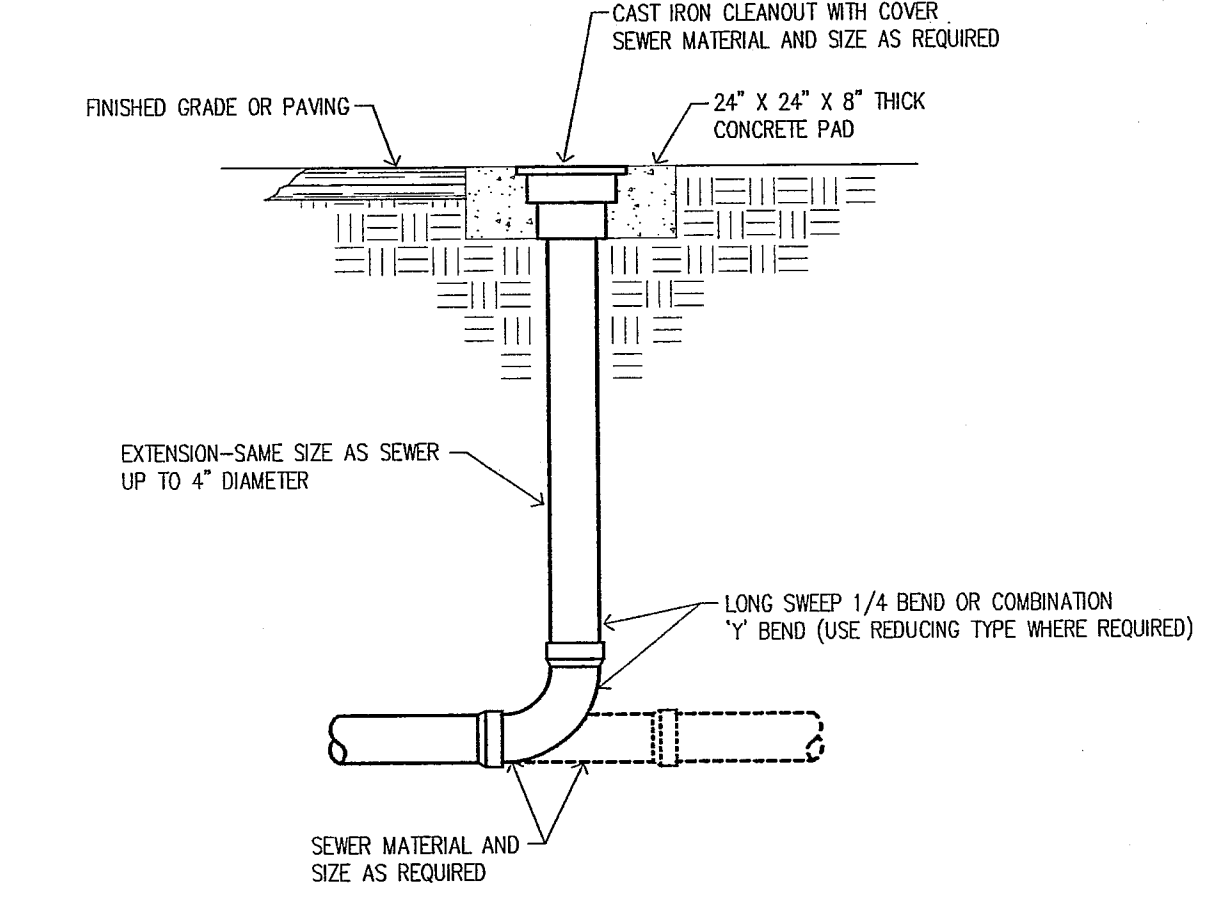
**HOT WATER CIRCULATING PUMP
DETAIL B**
NO SCALE



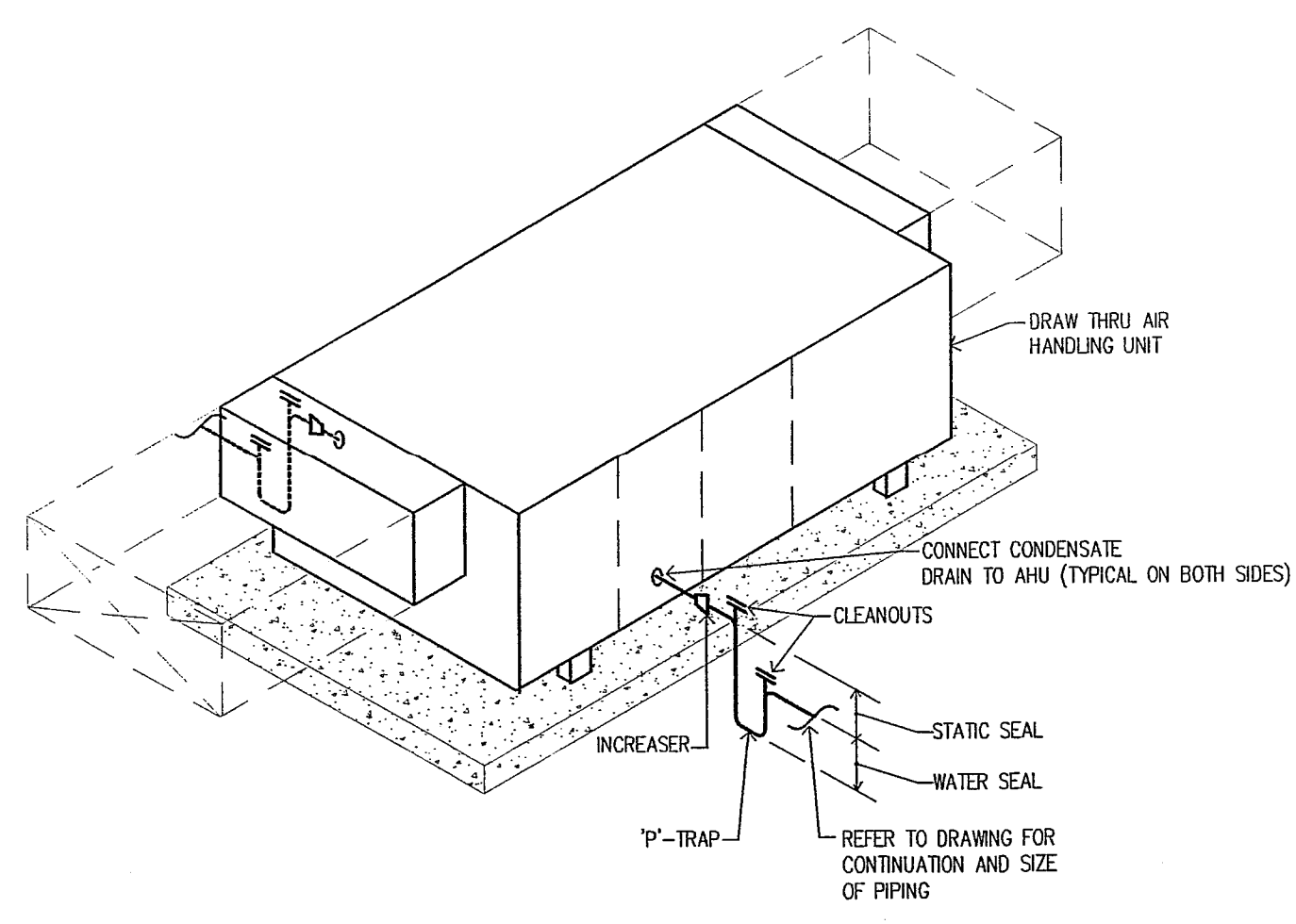
**DOMESTIC HOT WATER RETURN
BALANCING STATION
DETAIL C**
NO SCALE



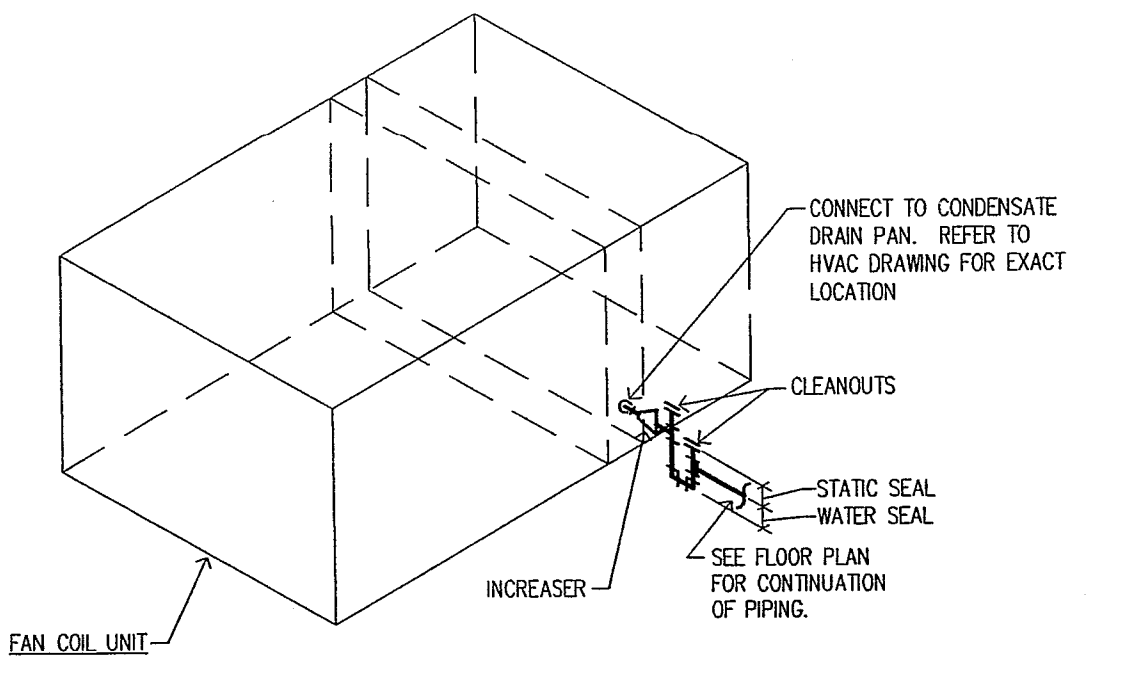
**WASTE WATER PUMP
DETAIL D**
NO SCALE



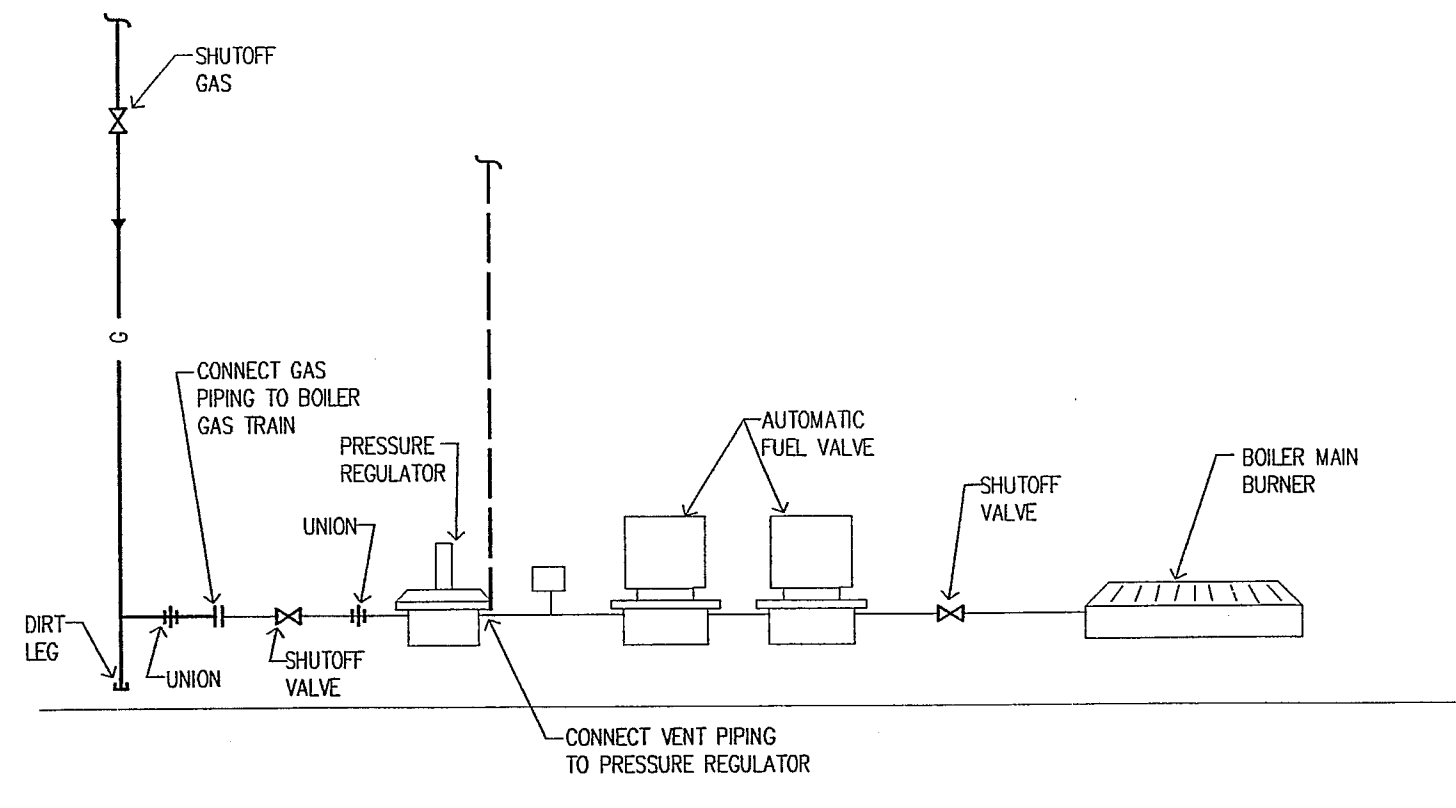
**EXTERIOR CLEANOUT
DETAIL E**
NO SCALE



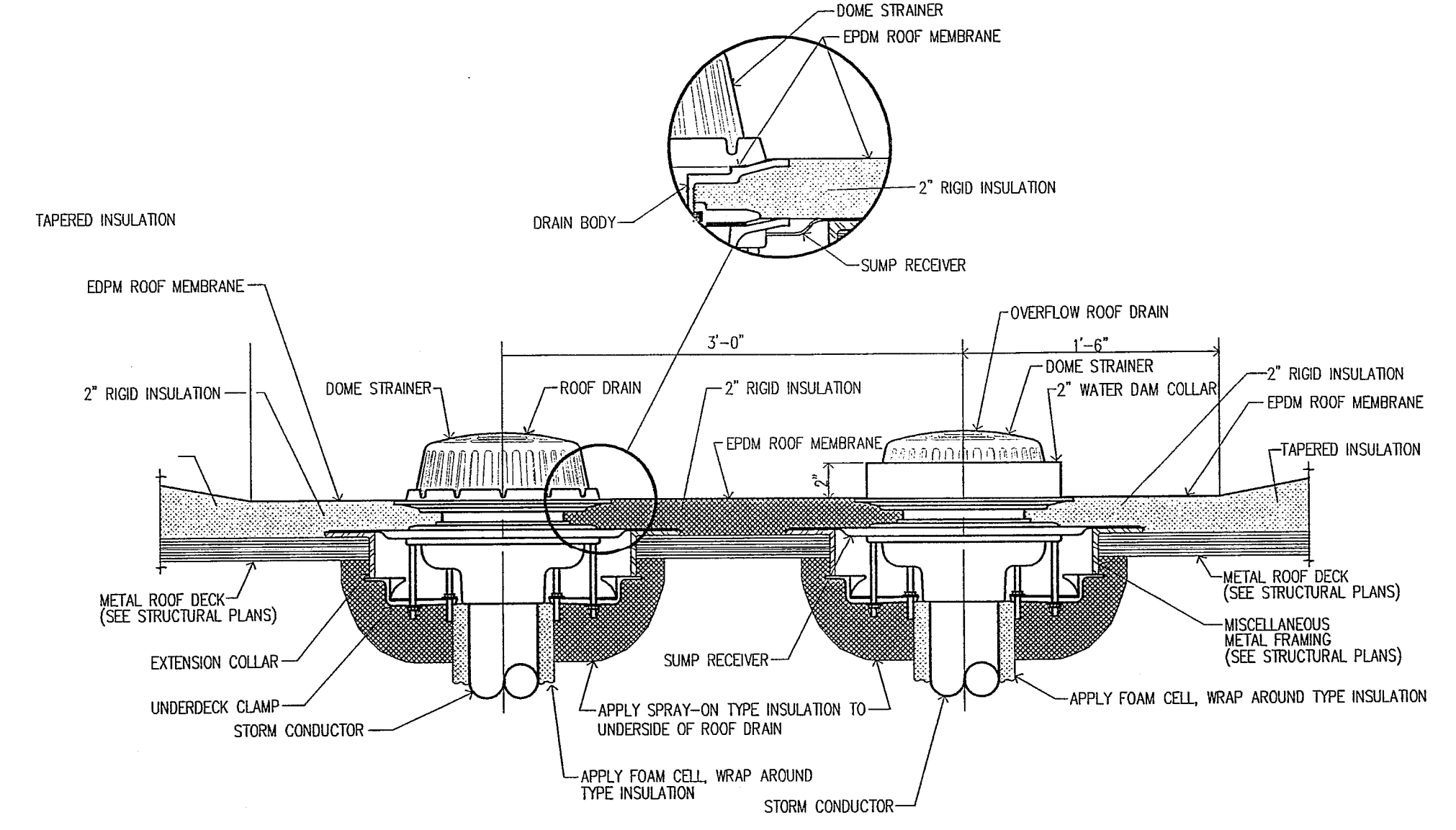
**TYPICAL CONDENSATE/
DRAIN TRAP ASSEMBLY
DETAIL F**
NO SCALE



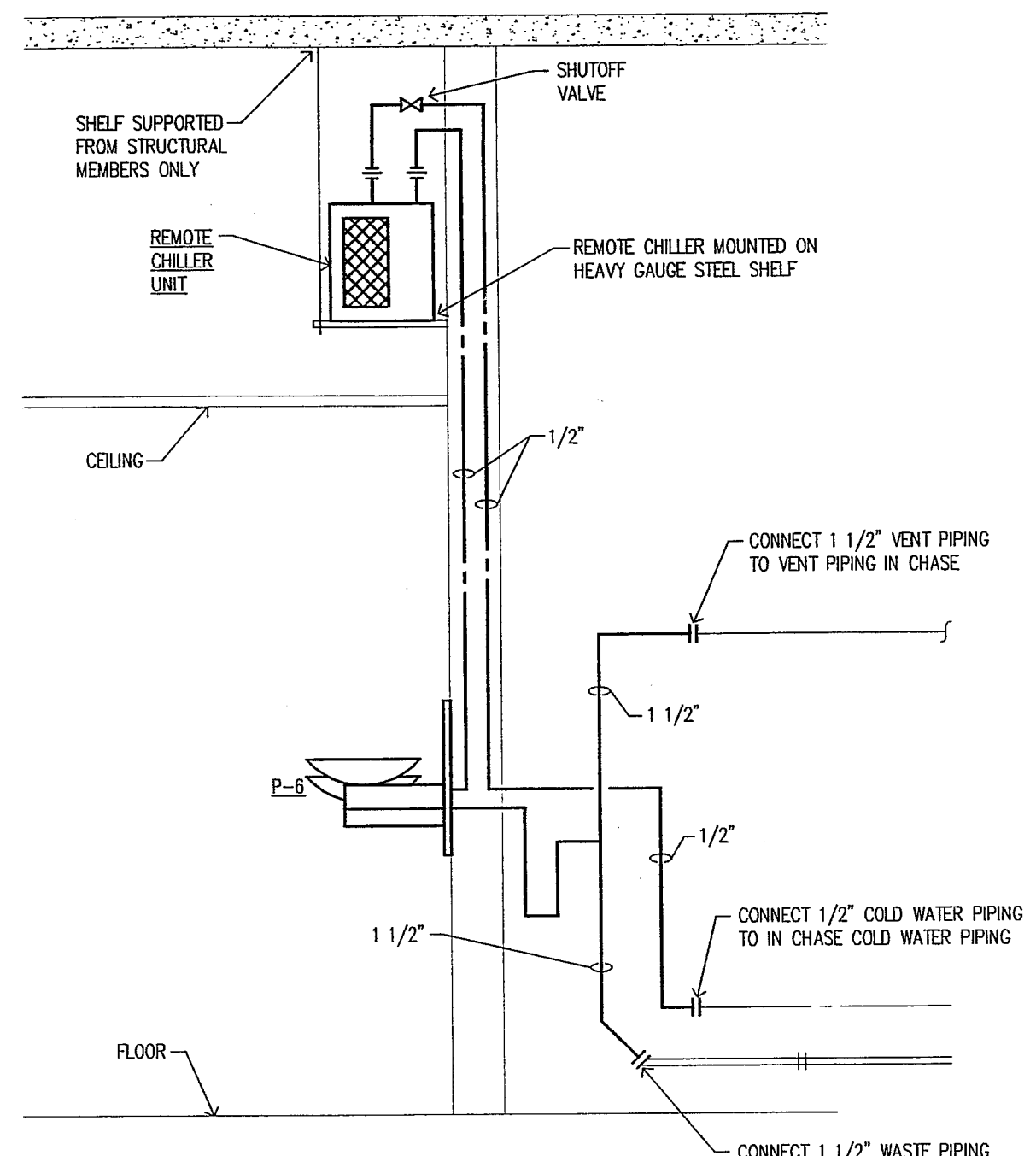
**FAN COIL UNIT CONDENSATE
DRAIN PIPING
DETAIL G**
NO SCALE



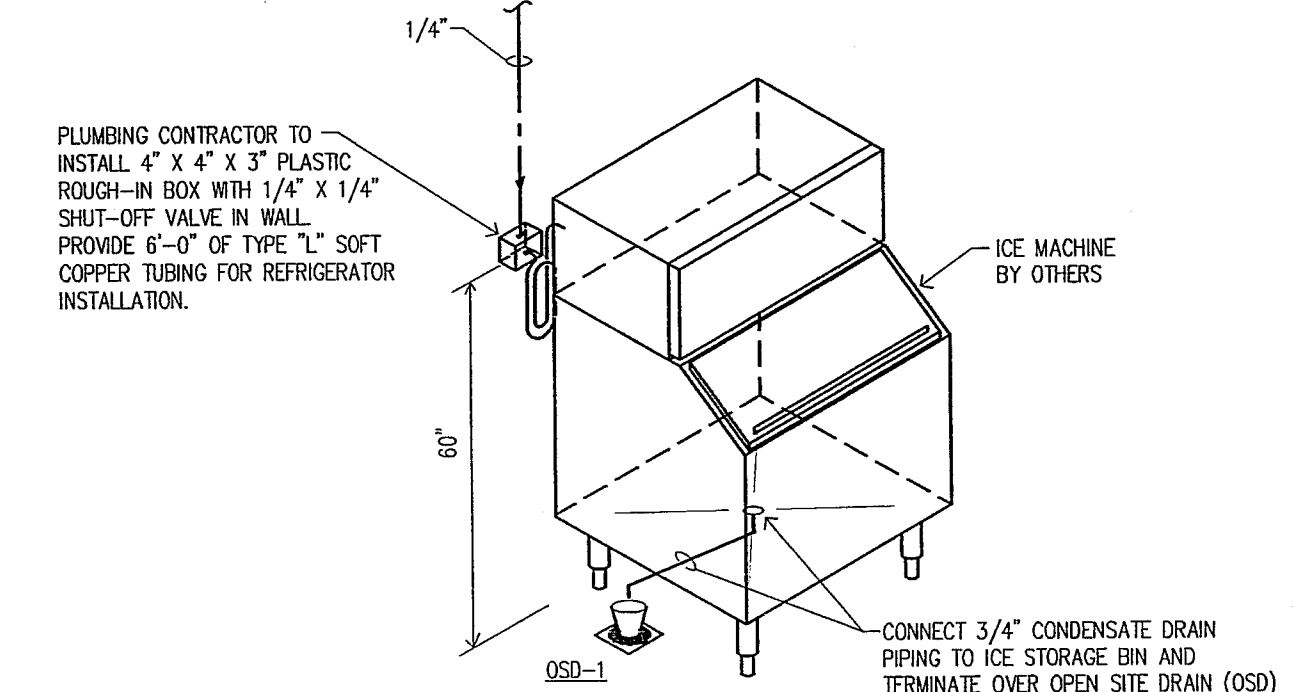
**BOILER GAS TRAIN PIPING
DETAIL H**
NO SCALE



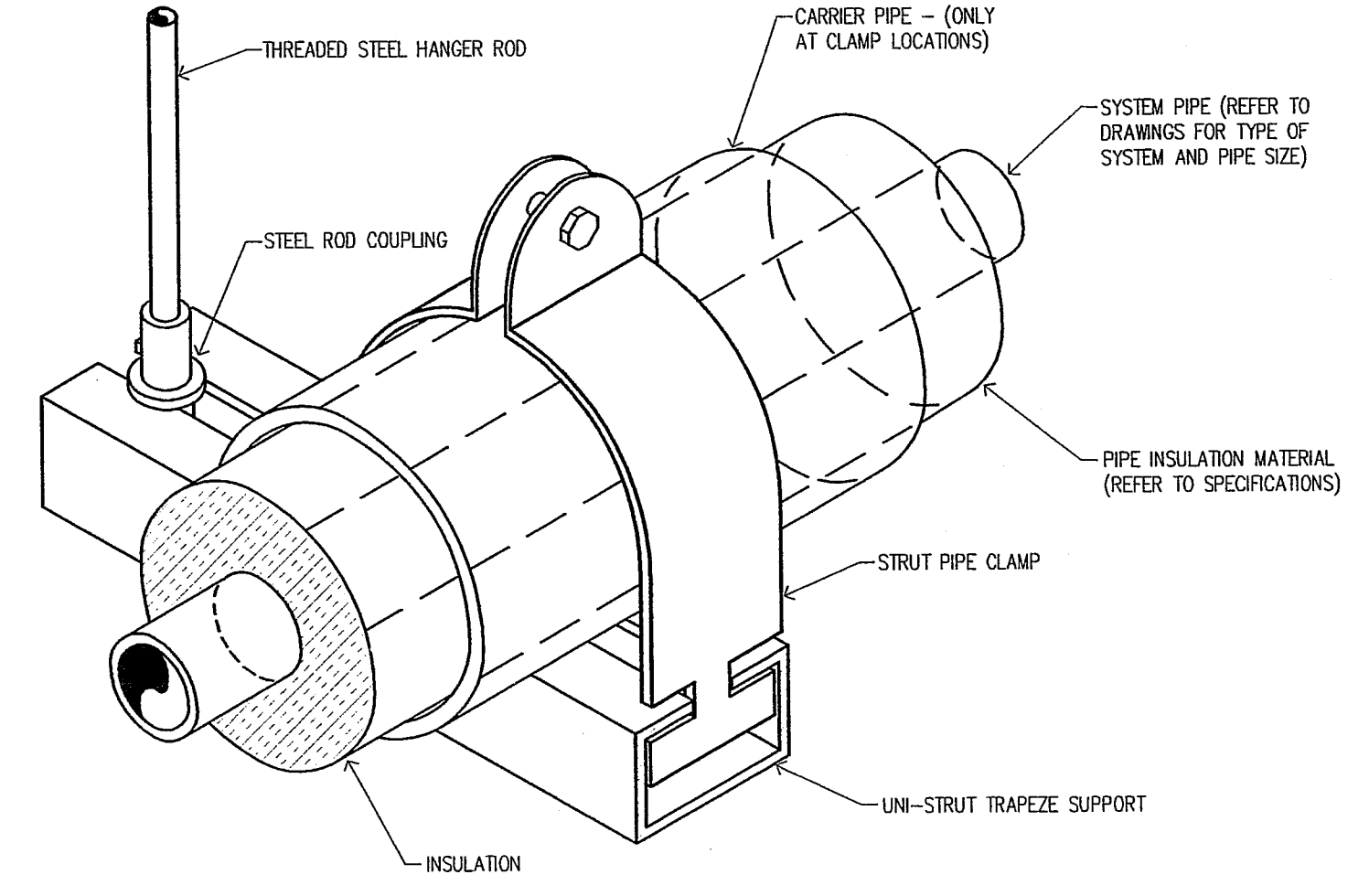
**ROOF DRAIN/OVERFLOW DRAIN
DETAIL J**
NO SCALE



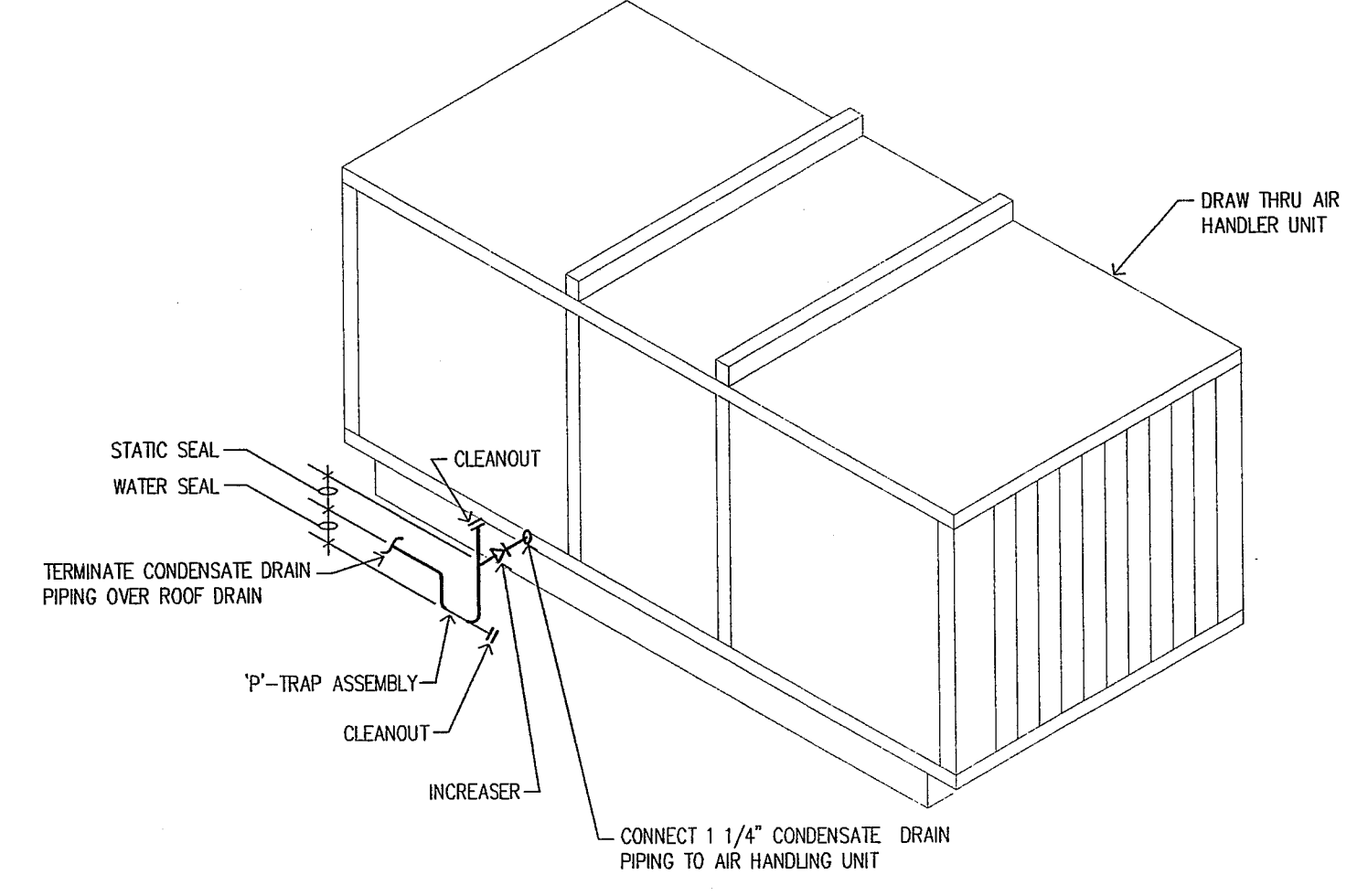
**WATER COOLER PIPING
DETAIL K**
NO SCALE



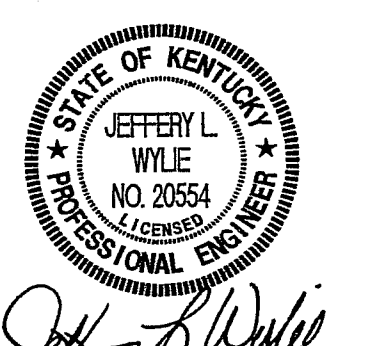
**ICE MACHINE PIPING
DETAIL L**
NO SCALE



**TYPICAL TRAPEZE PIPE SUPPORT
DETAIL M**
NO SCALE



**CONDENSATE DRAIN PIPING
DETAIL N**
NO SCALE



CERTIFICATION
**CONSTRUCTION
DOCUMENTS**

**CARDINAL PARK
NATATORIUM**

UNIVERSITY OF LOUISVILLE

Project: 03006
Drawn: TERRY GUINN
Checked: GREG CHAMPION
Scale: AS NOTED
Issue Date: AUGUST 28, 2003
Revision:

**DETAILS
PLUMBING**

P601