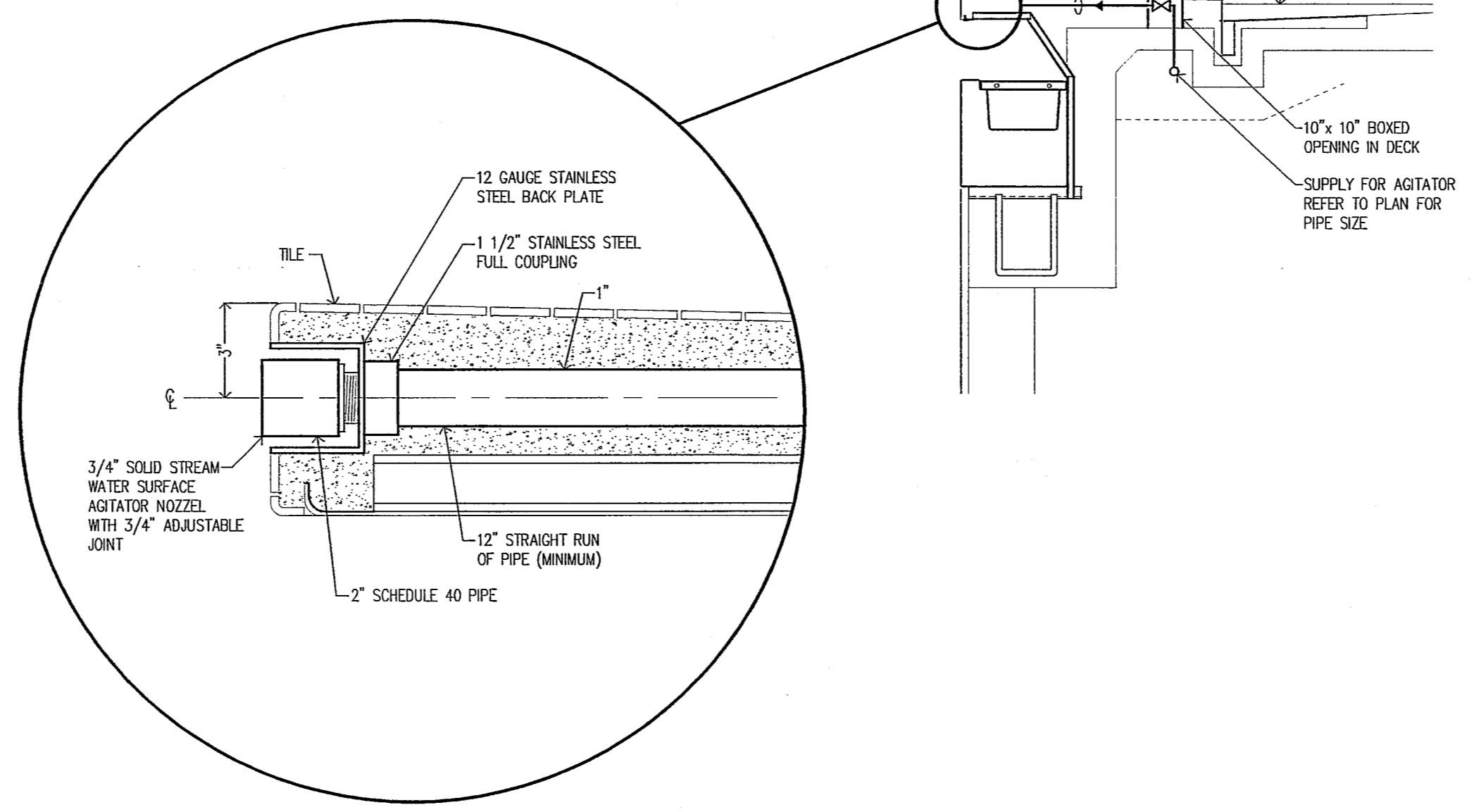
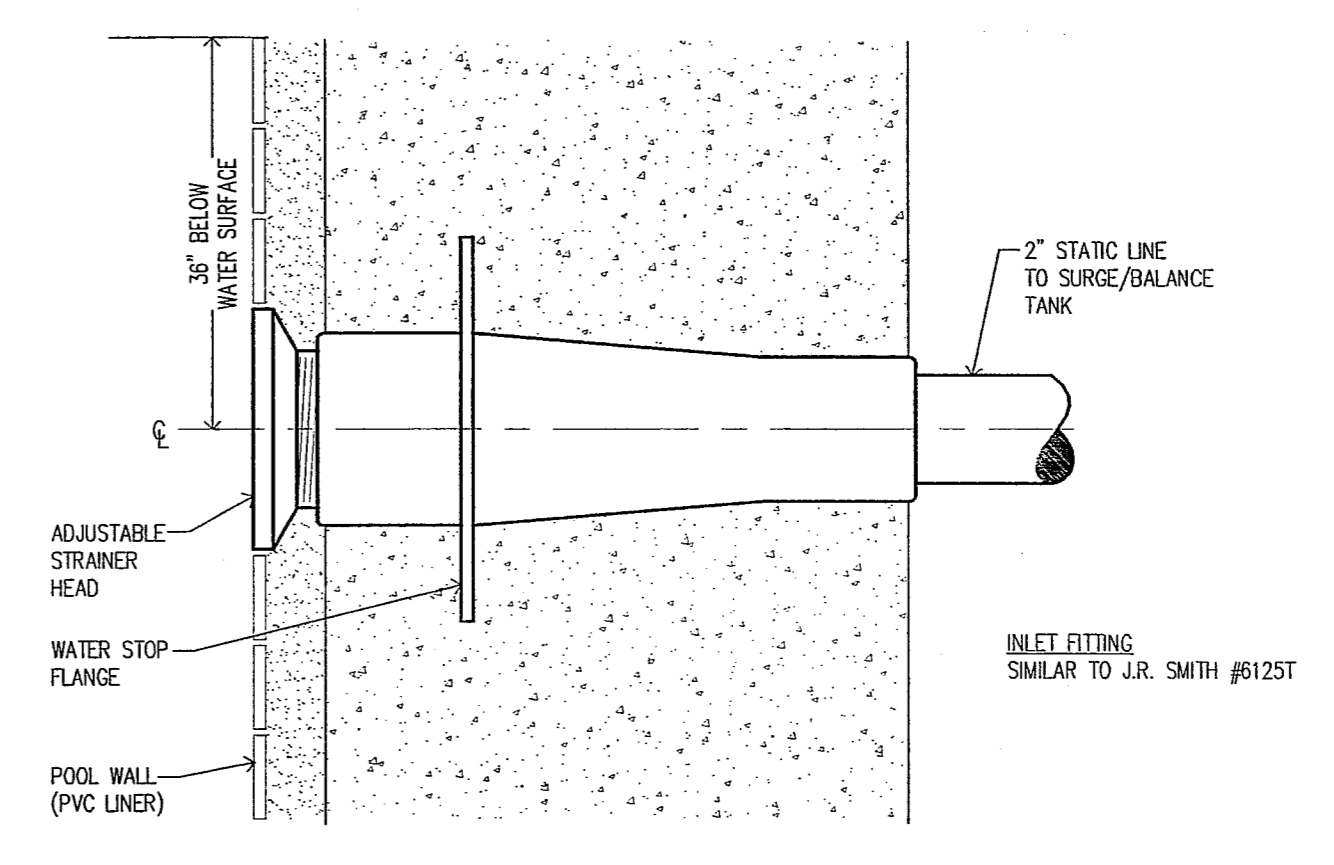


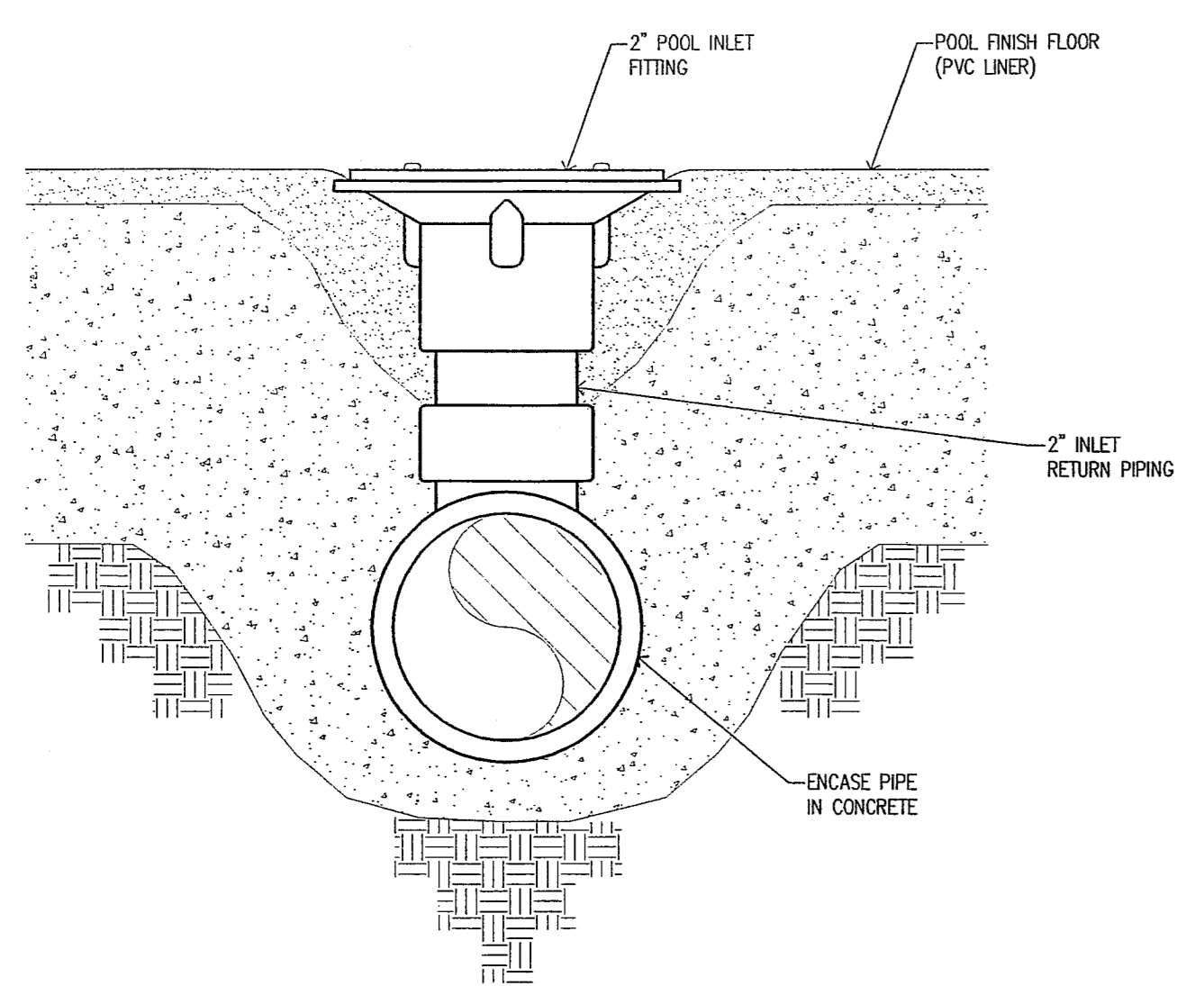
**STAINLESS STEEL MAIN DRAIN BOX  
DETAIL A**  
NO SCALE



**WATER AGITATOR FITTING  
DETAIL B**  
NO SCALE

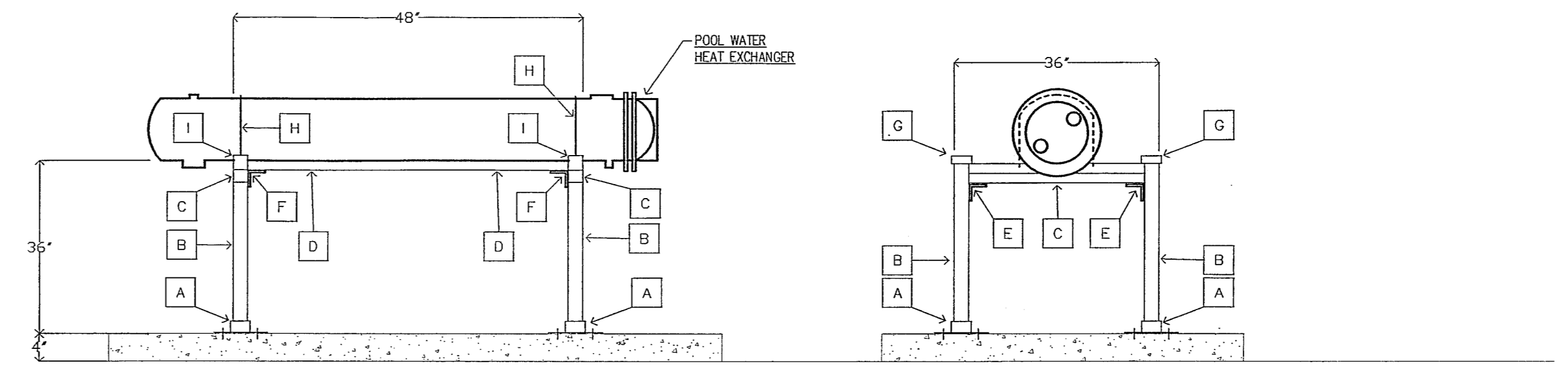


**POOL INLET FITTING  
DETAIL C**  
NO SCALE

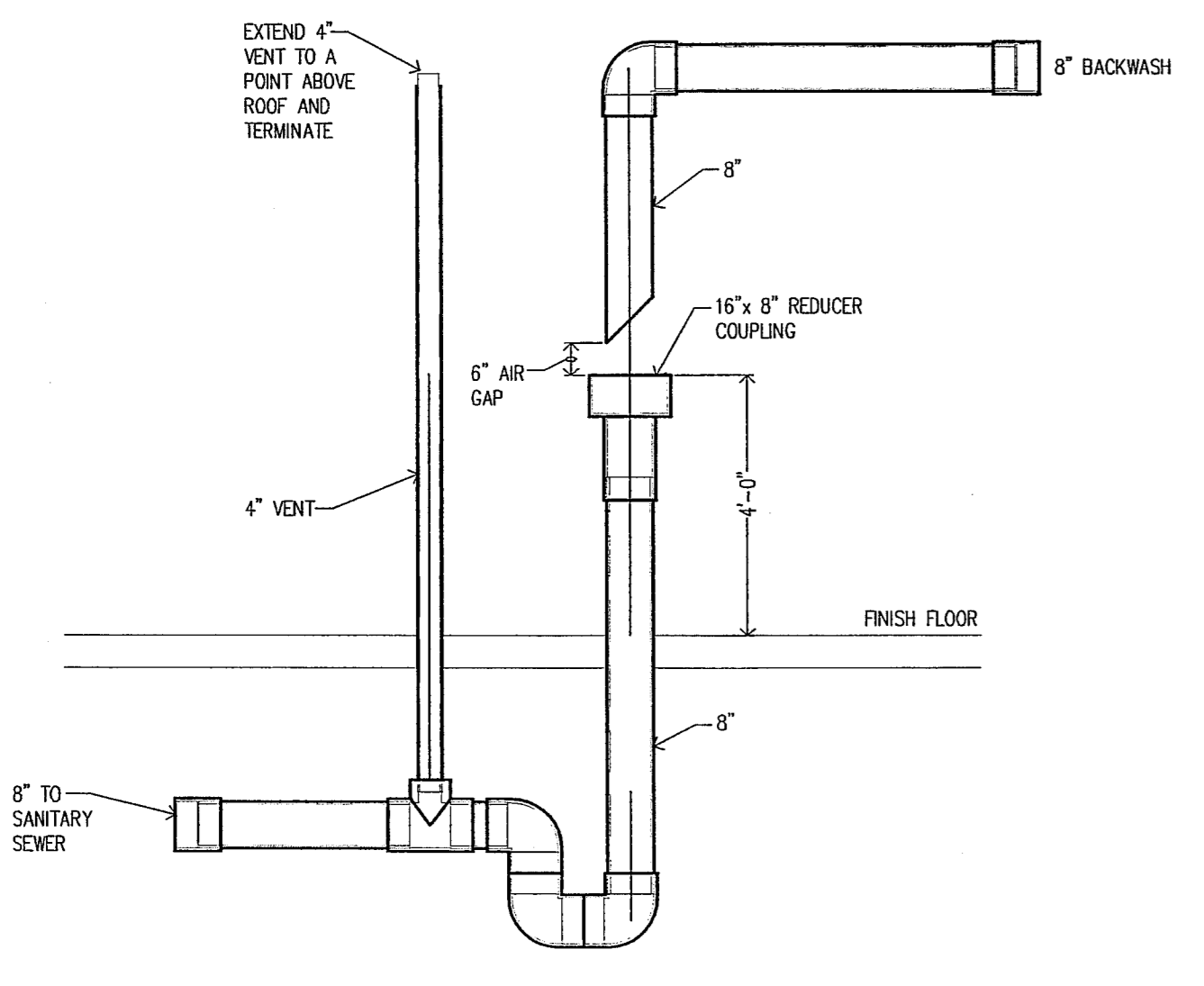


**POOL RETURN INLET FITTING  
DETAIL D**  
NO SCALE

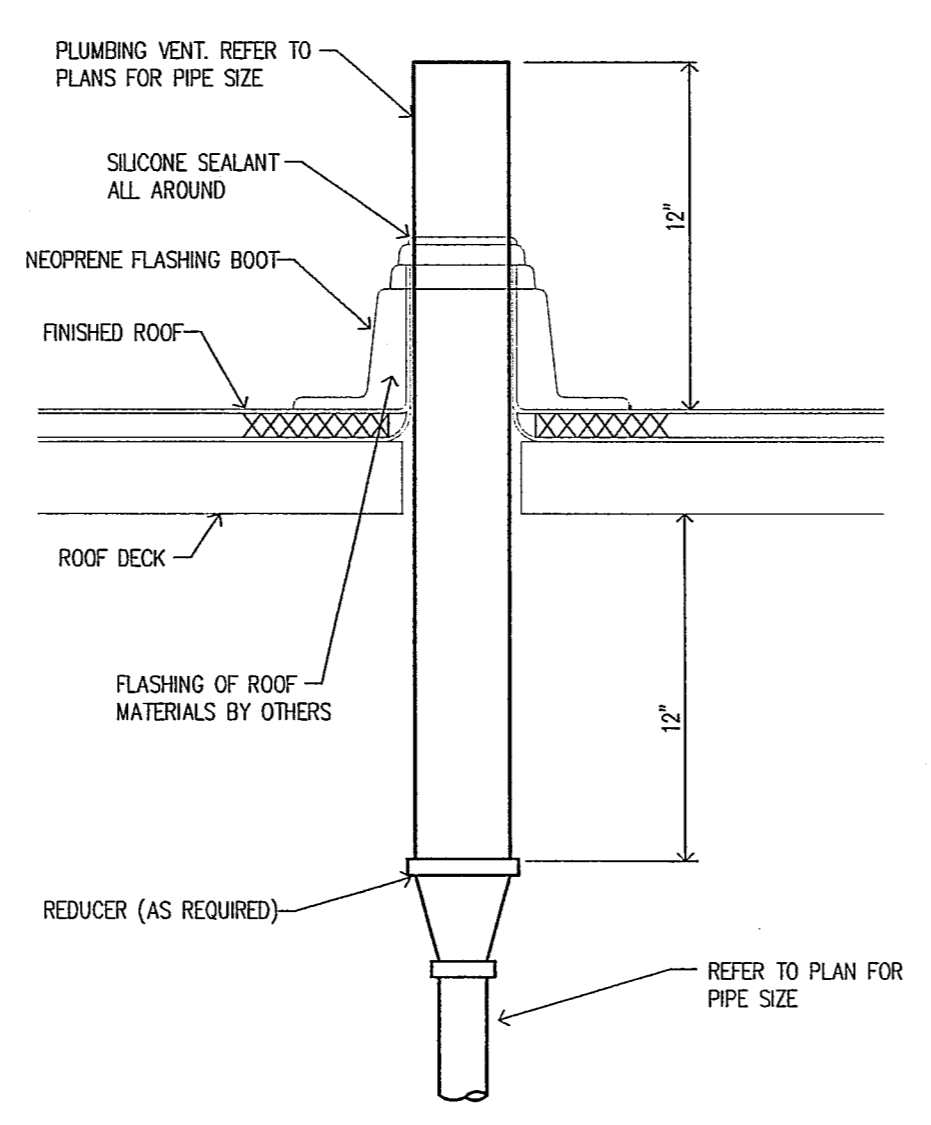
UNISTRUT STAND ASSEMBLY			
ITEM	QTY	MODEL NUMBER	DESCRIPTION
A	4	P2072A	POST BASE
B	4 (36\"/>		



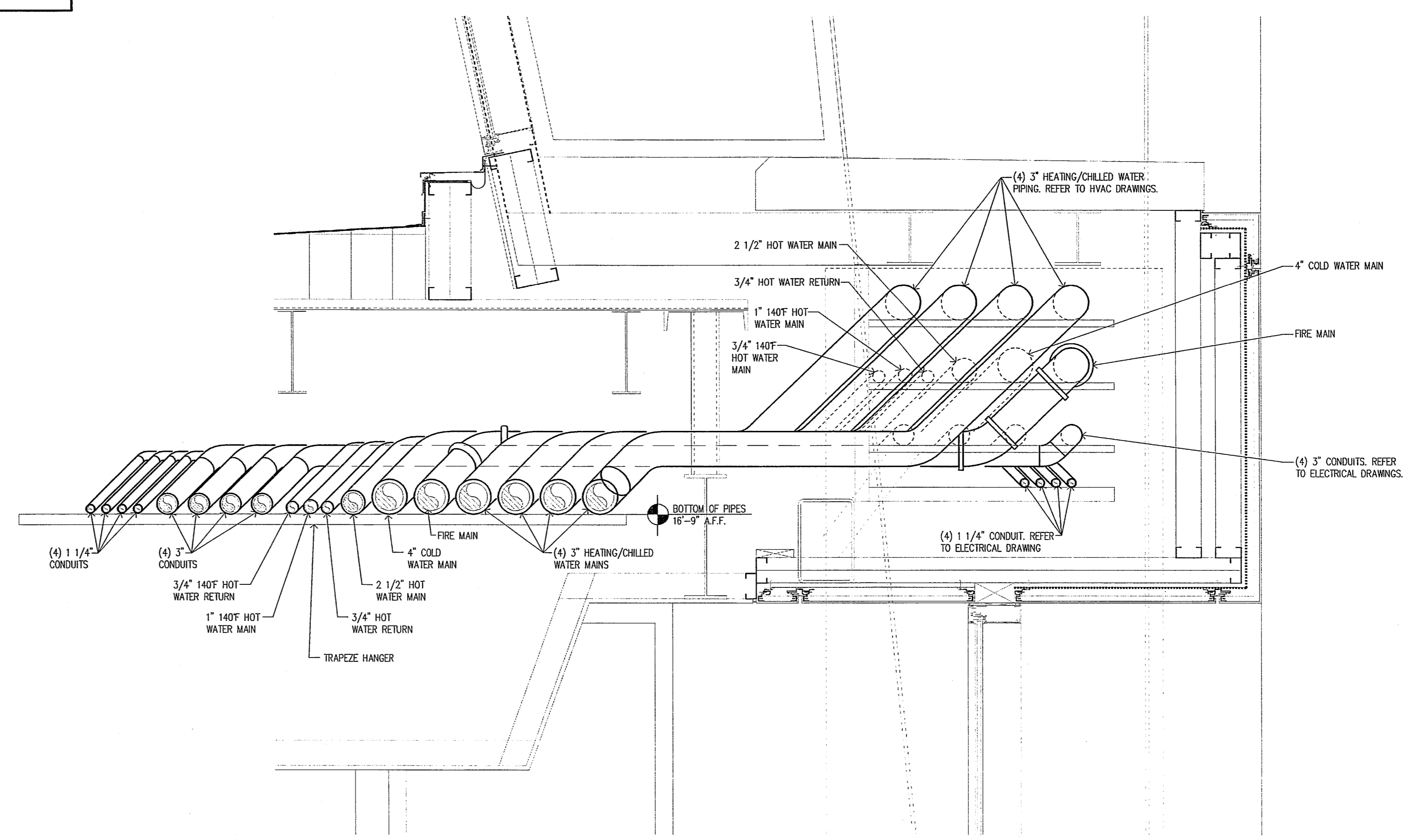
**HEAT EXCHANGER STAND  
DETAIL F**  
NO SCALE



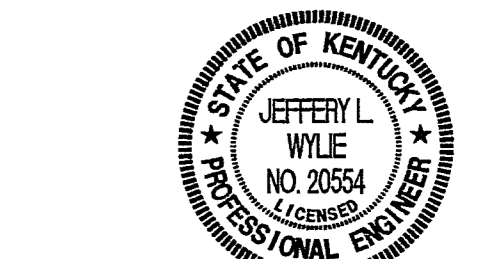
**POOL BACKWASH DRAIN  
DETAIL E**  
NO SCALE



**PLUMBING VENT THRU ROOF  
DETAIL G**  
NO SCALE



**SECTION H**  
SCALE: 1\"/>



*Jeffery L. Wyle*  
CERTIFICATION

**CONSTRUCTION  
DOCUMENTS**

**CARDINAL PARK  
NATATORIUM**

**UNIVERSITY OF LOUISVILLE**

Project: 03008  
Drawn: TERRY GUNN  
Checked: GREG CHAMPION  
Scale: AS NOTED  
Issue Date: AUGUST 28, 2003  
Revision:

**DETAILS  
PLUMBING**

**P602**