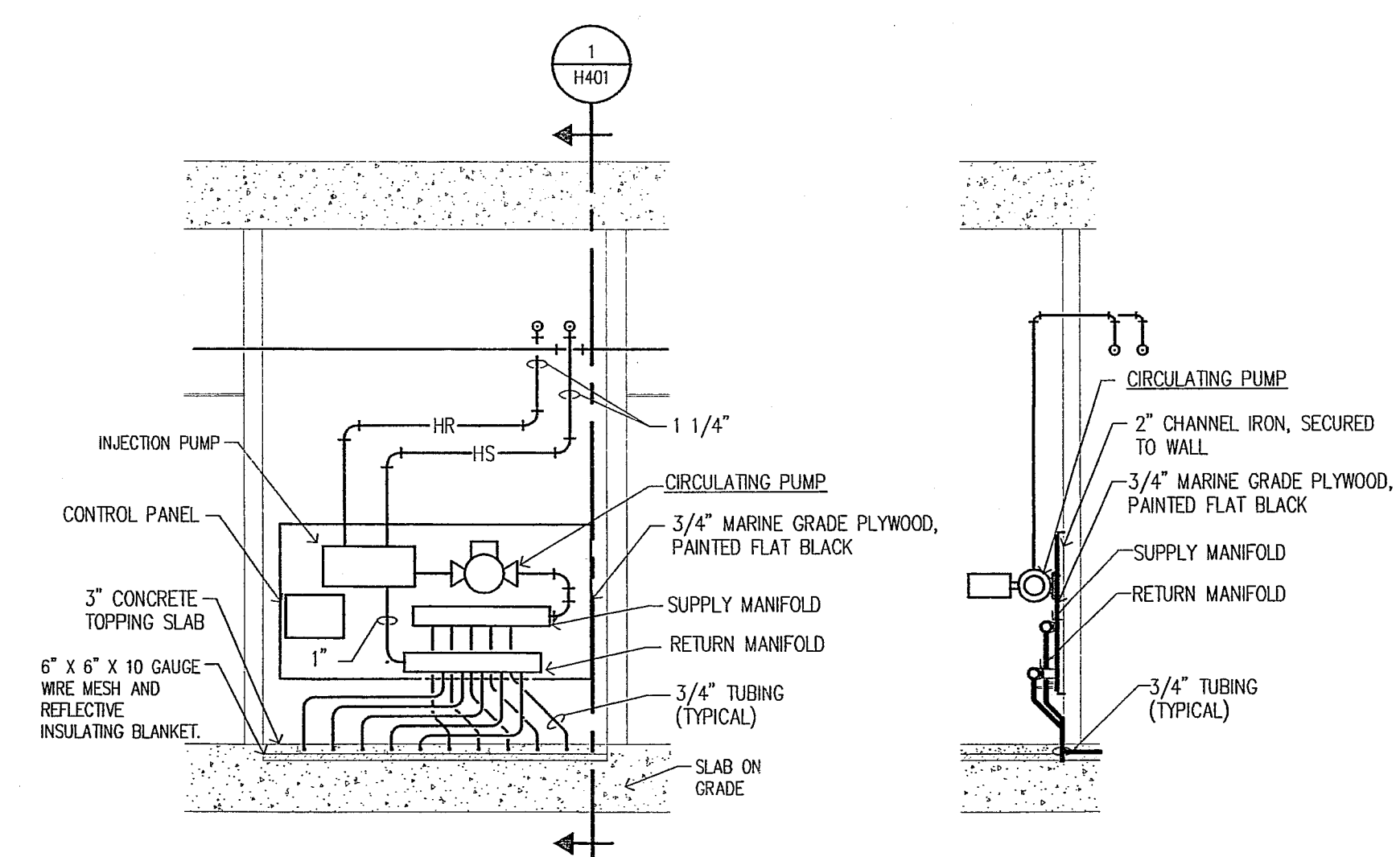
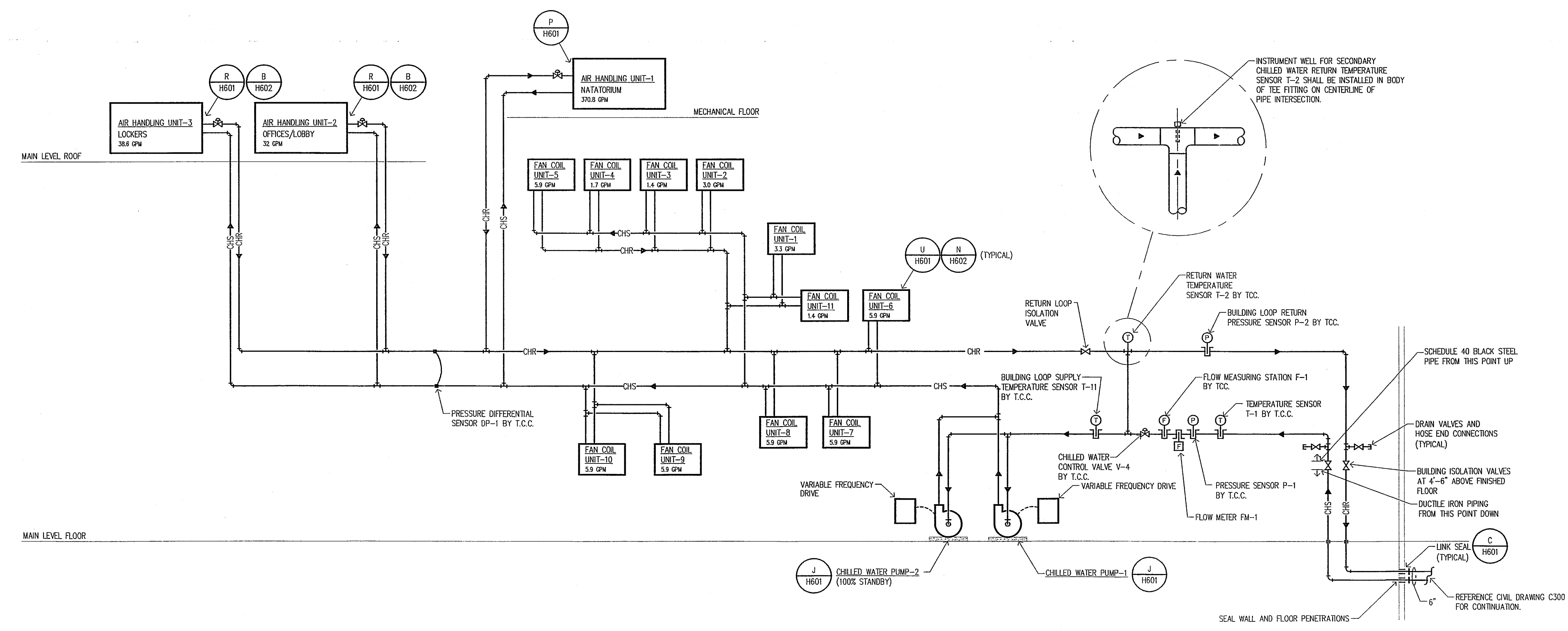


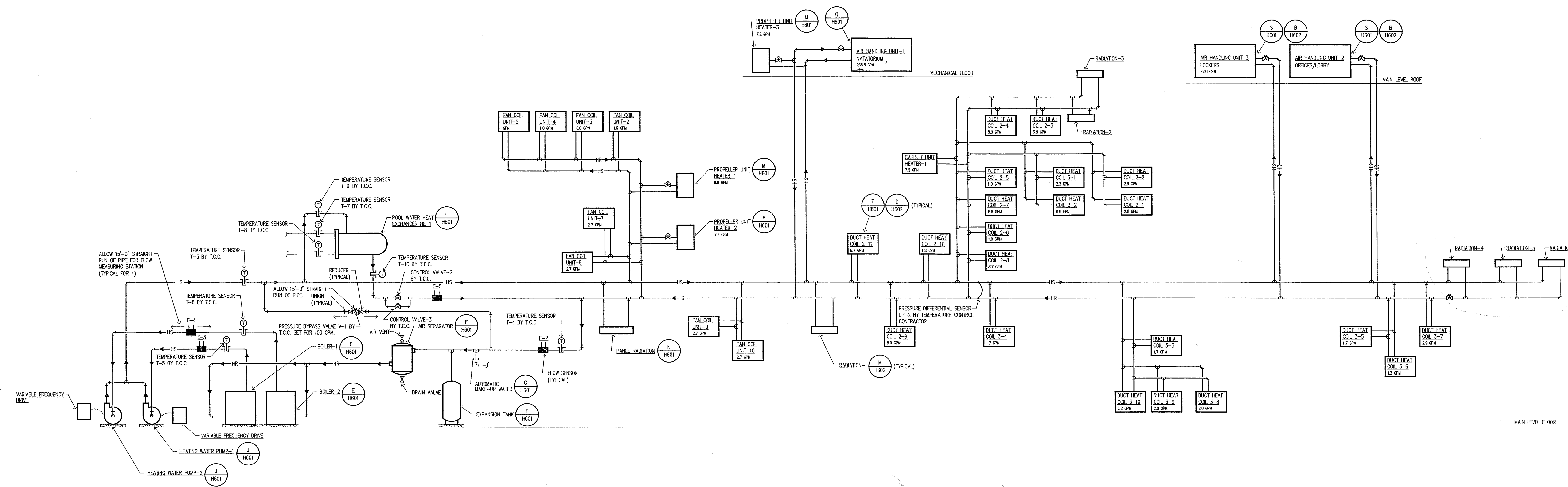
HEAT RECOVERY LOOP DIAGRAM
NO SCALE



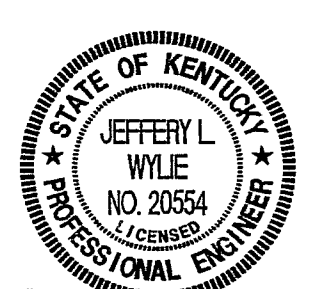
**SECTION 1
IN-SLAB RADIATION PIPING AND
EQUIPMENT INSTALLATION DIAGRAM**
NO SCALE



CHILLED WATER SYSTEM DIAGRAM
NO SCALE



HEATING WATER SYSTEM DIAGRAM
NO SCALE



CERTIFICATION
CONSTRUCTION DOCUMENTS

**CARDINAL PARK
NATATORIUM**

UNIVERSITY OF LOUISVILLE

Project: 03006
Drawn: ROBERT E. SMITH
Checked: KERRY L. SMITH
Scale: NO SCALE
Issue Date: AUGUST 28, 2003
Revision:

**DIAGRAMS
HVAC**

H401