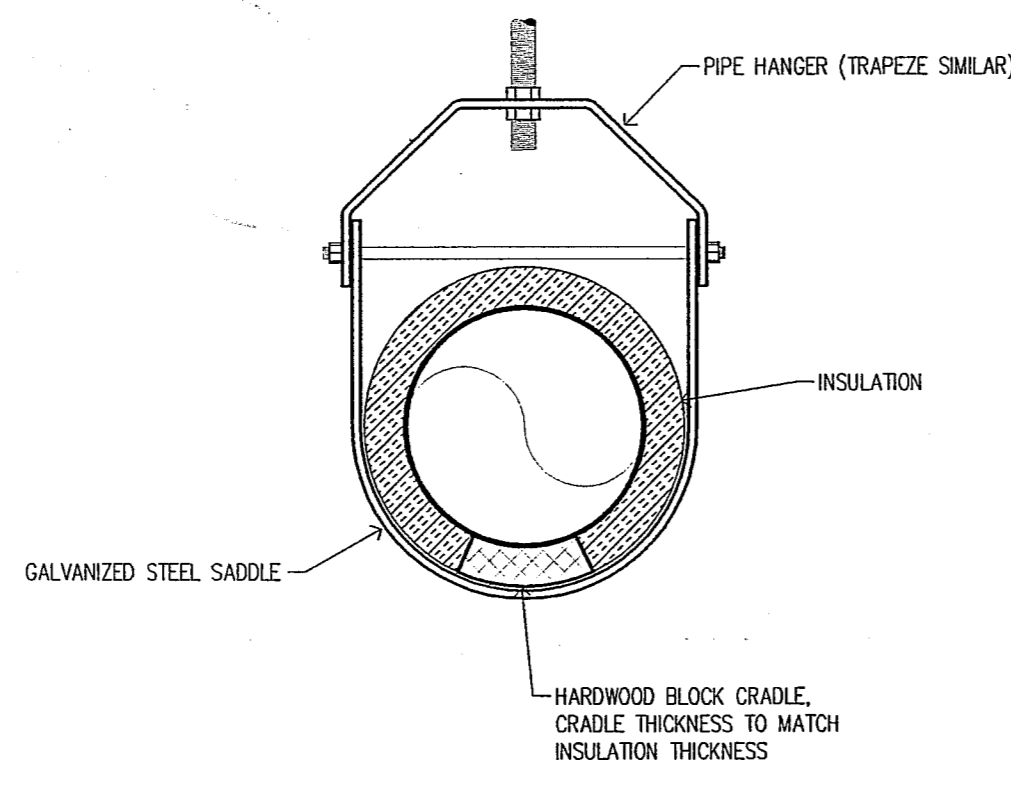


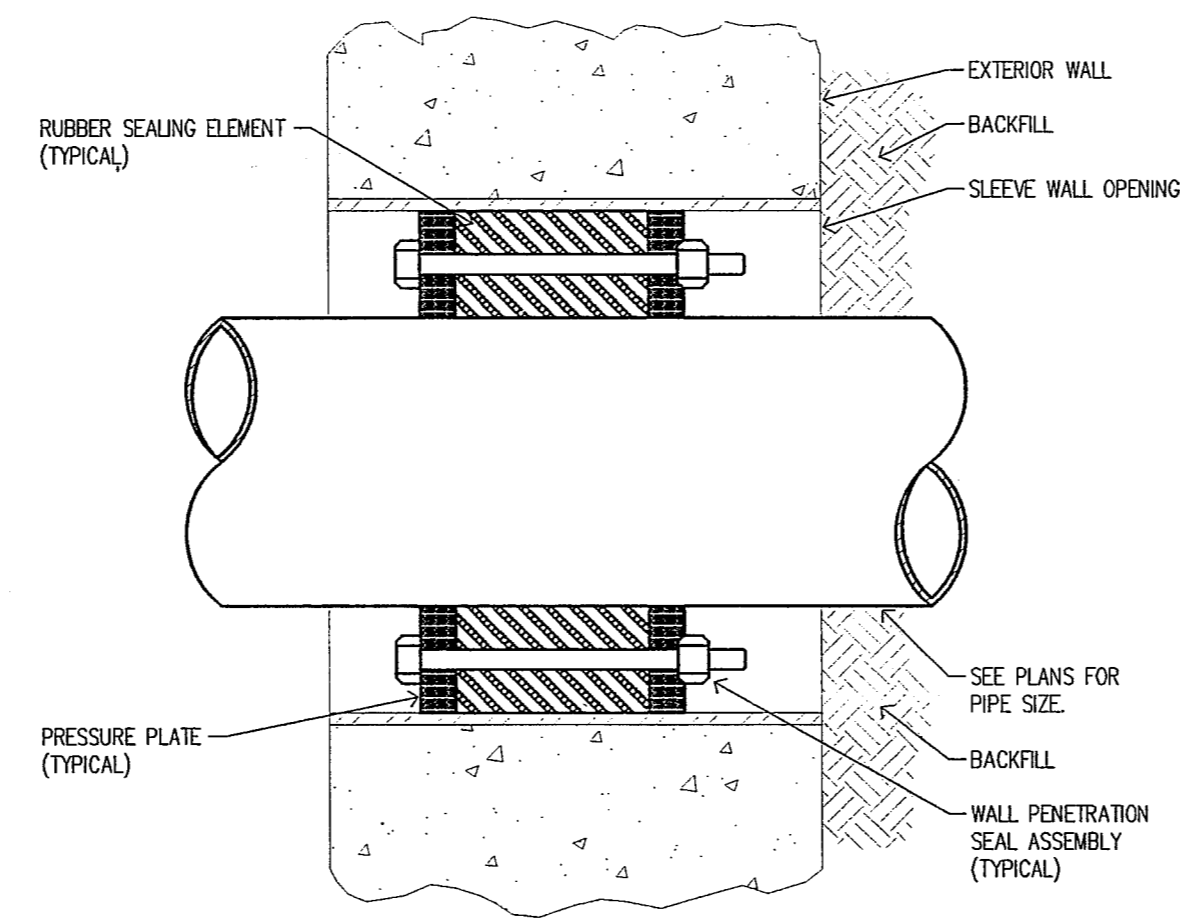
**INSULATED STEEL PIPE SUPPORT
DETAIL A**

NO SCALE



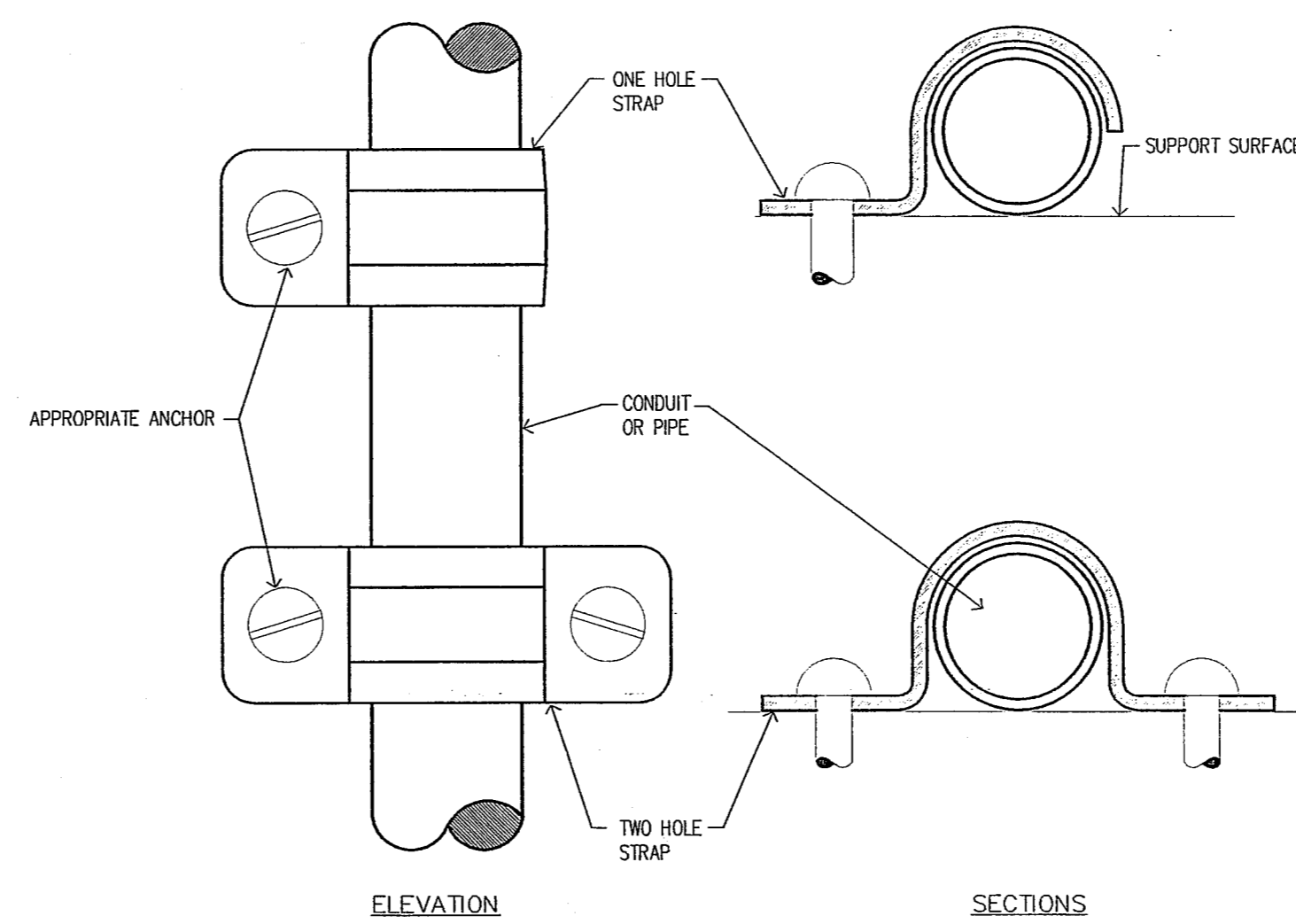
**INSULATED COPPER PIPE OR
STEEL PIPE SUPPORT
DETAIL B**

NO SCALE



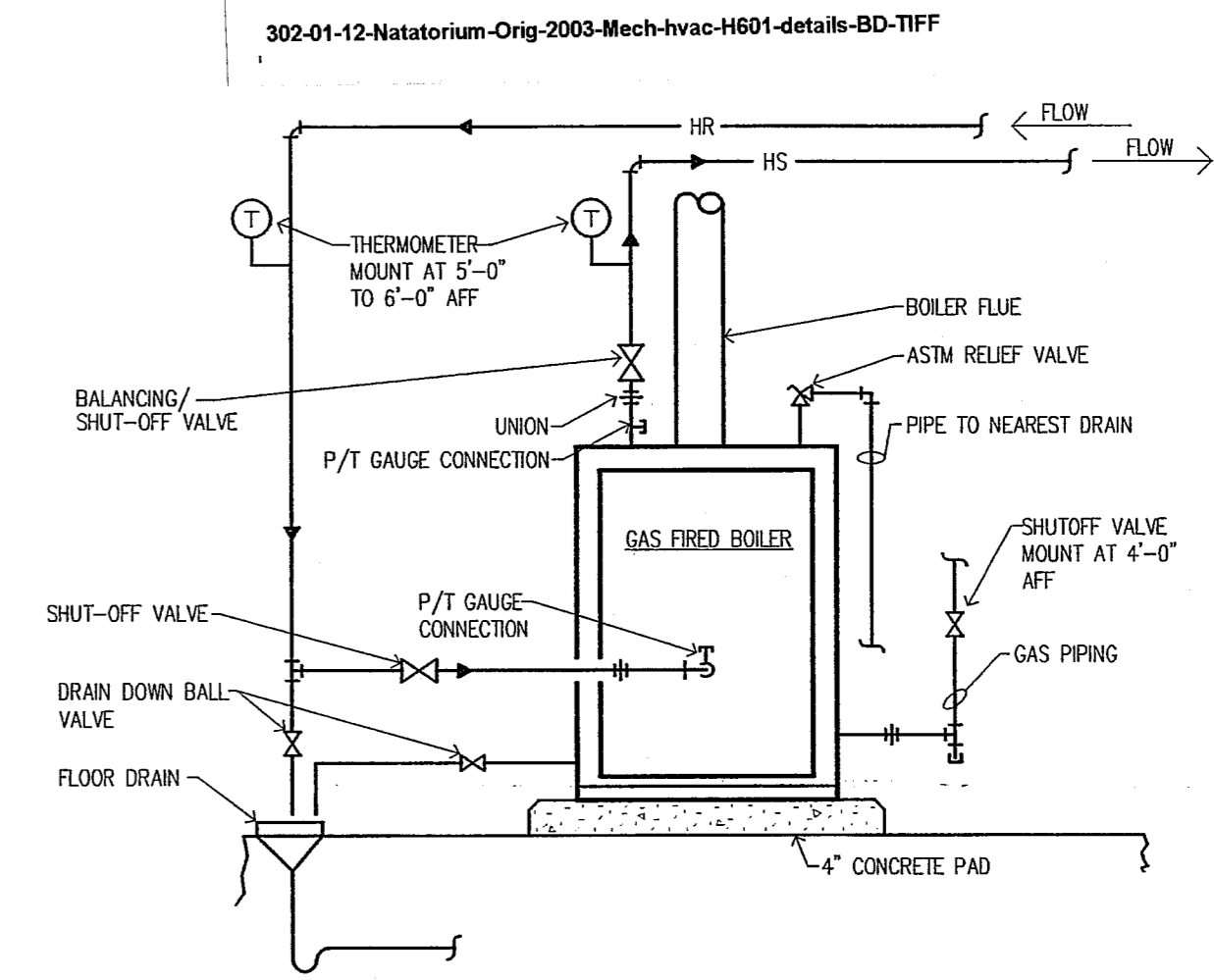
**EXTERIOR WALL PENETRATION
DETAIL C**

NO SCALE



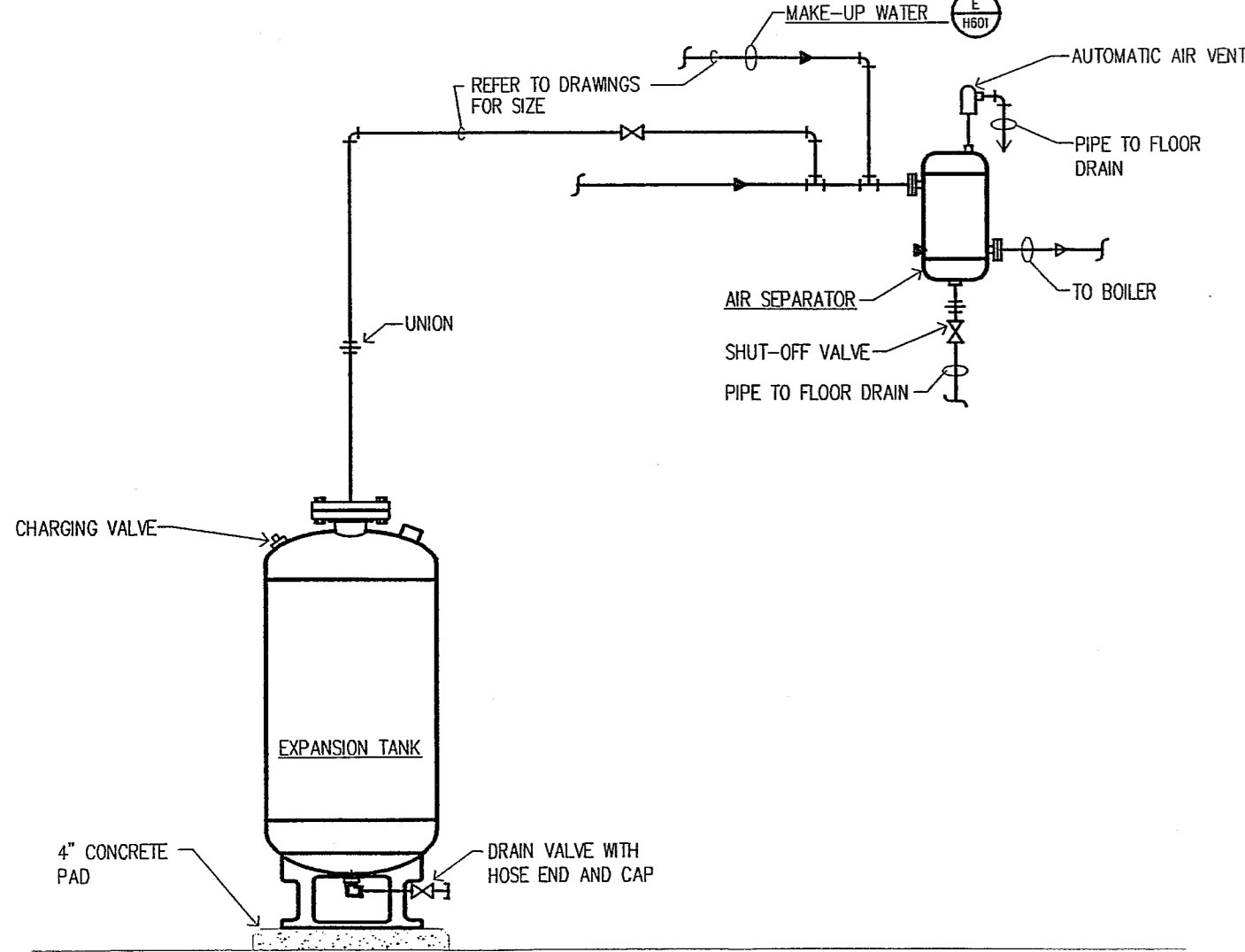
**TYPICAL PIPE & CONDUIT SUPPORT IN MECHANICAL
ROOMS & ACCESSIBLE AREAS BELOW 8'-0" AFF
DETAIL D**

NO SCALE



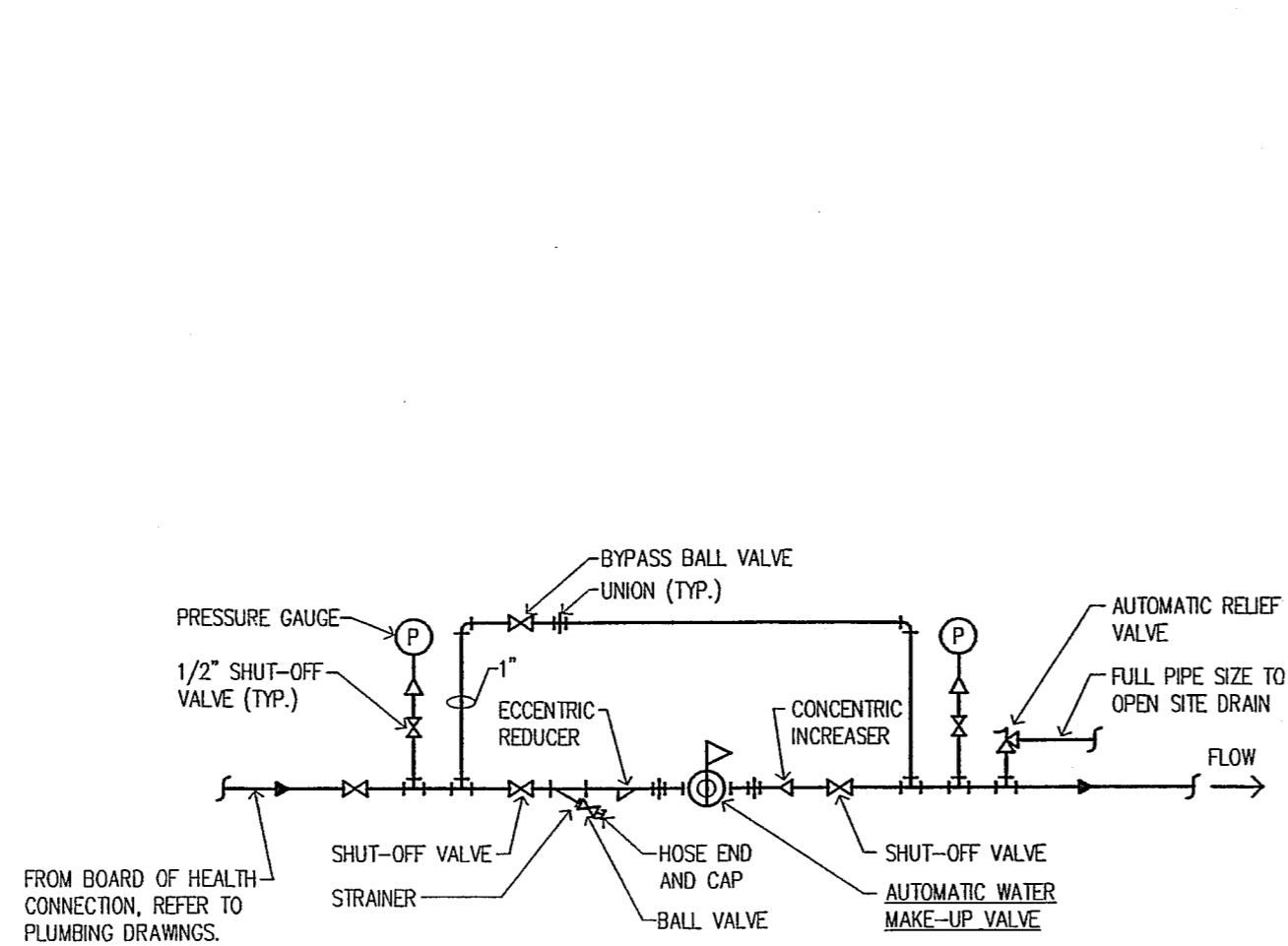
**GAS FIRED BOILER PIPING
DETAIL E**

NO SCALE



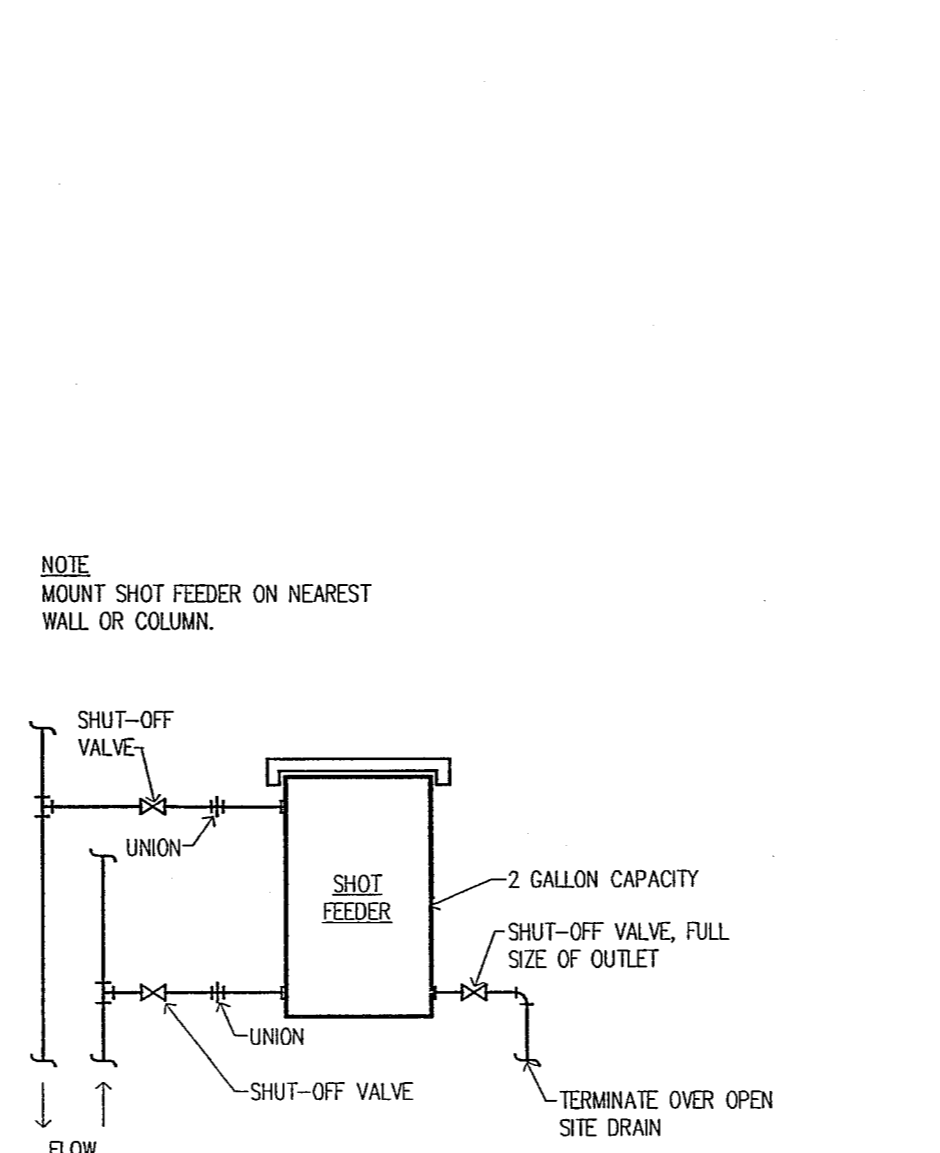
**EXPANSION TANK/SEPARATOR PIPING
DETAIL F**

NO SCALE



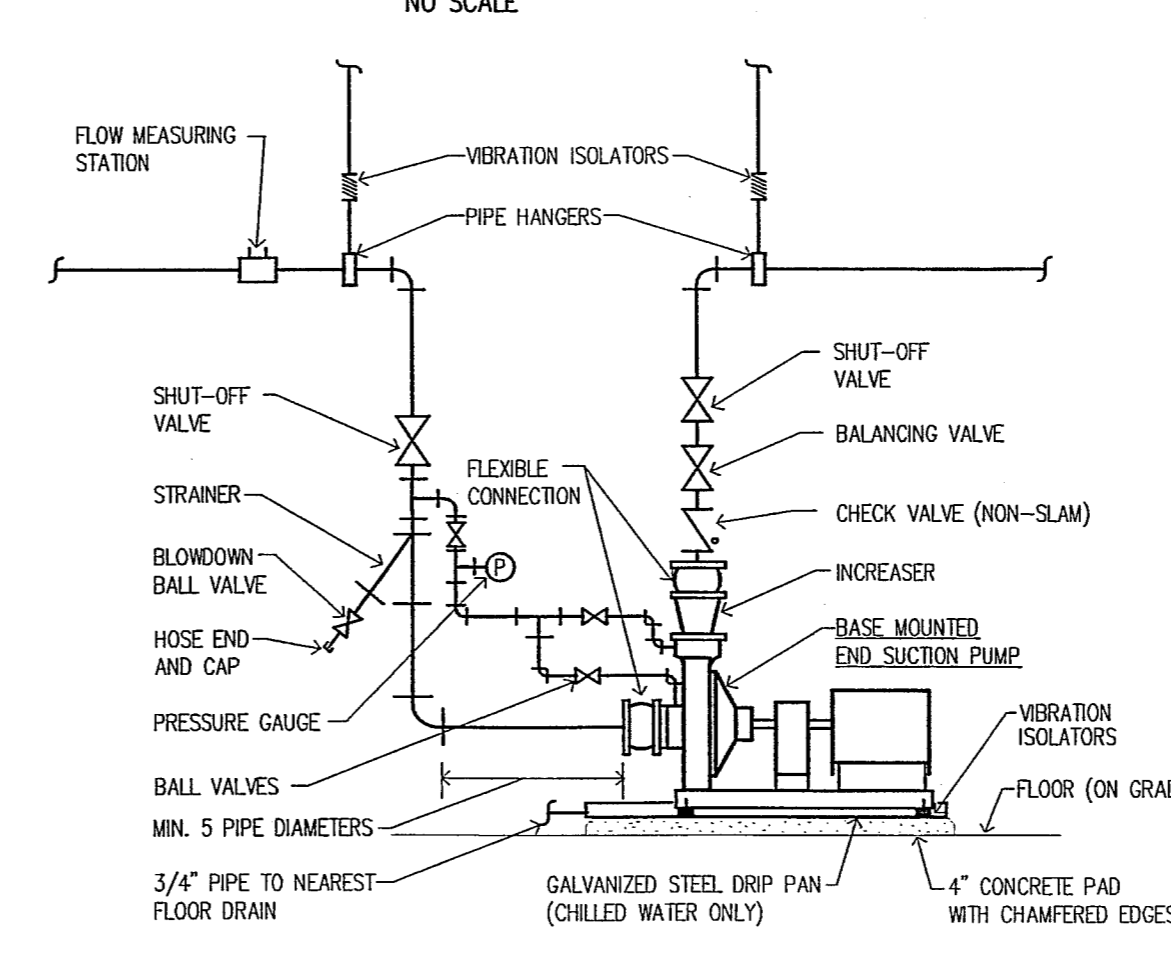
**AUTOMATIC MAKEUP WATER PIPING
DETAIL G**

NO SCALE



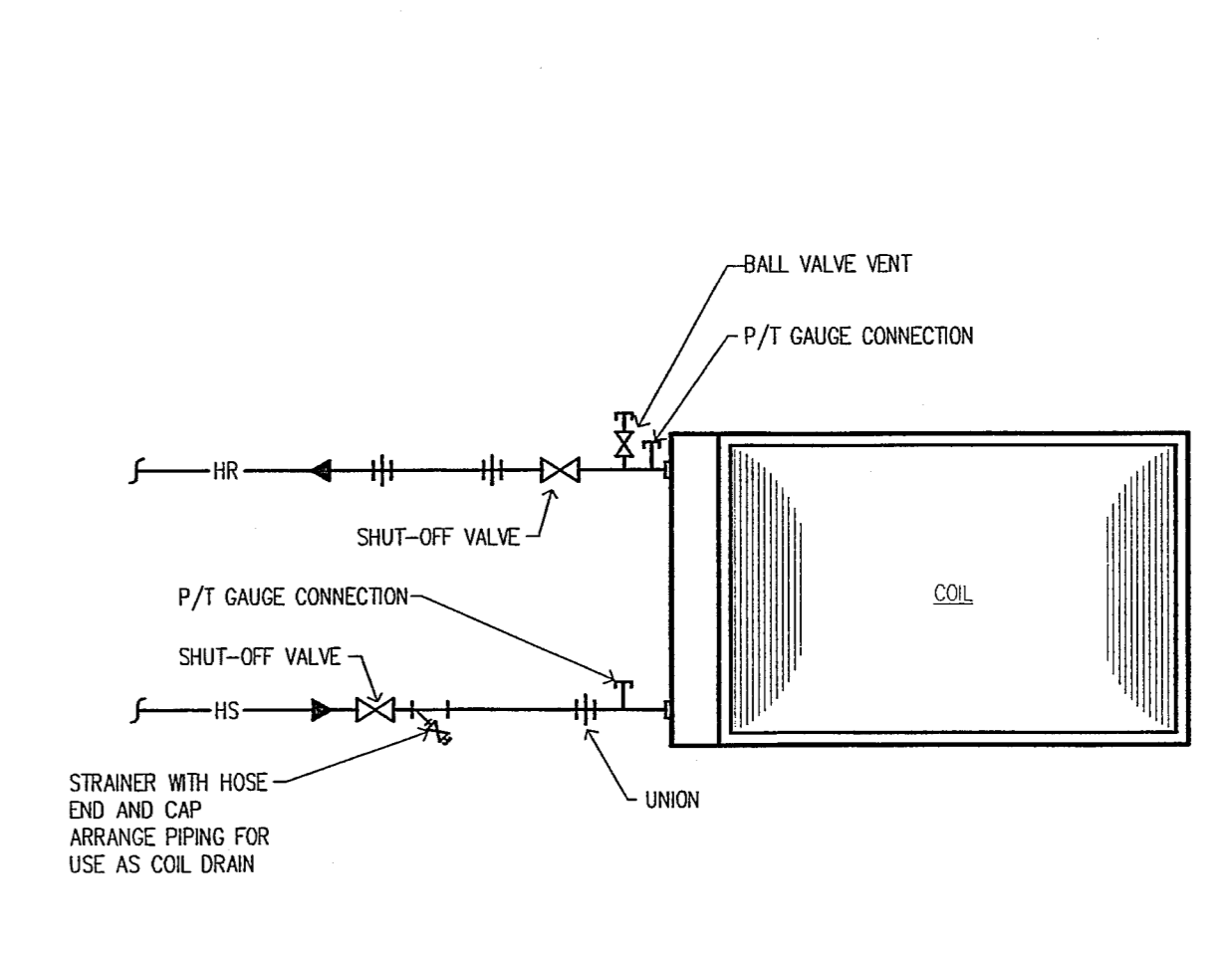
**CHEMICAL SHOT FEEDER PIPING
DETAIL H**

NO SCALE



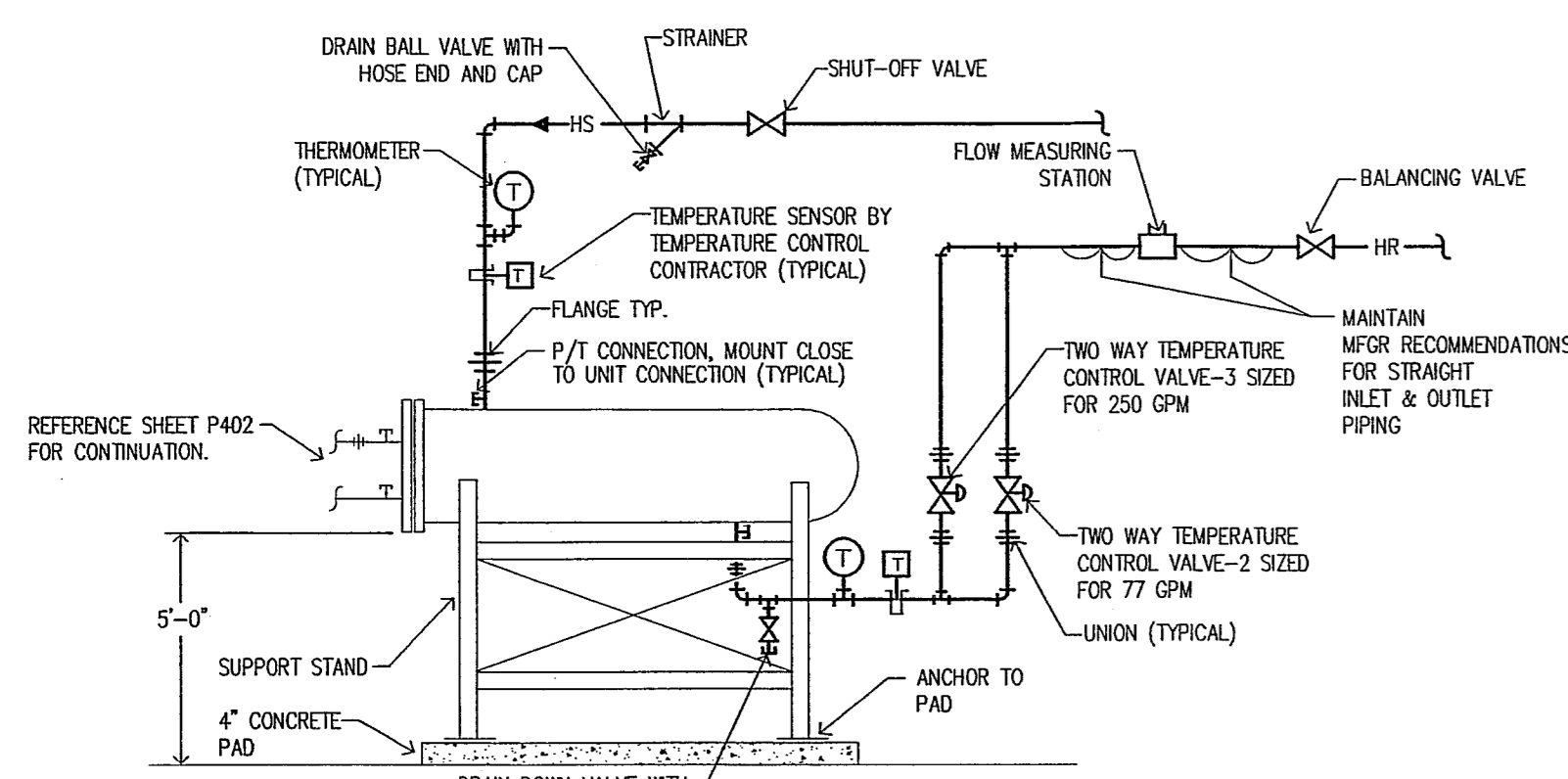
**END SUCTION PUMP PIPING
DETAIL J**

NO SCALE



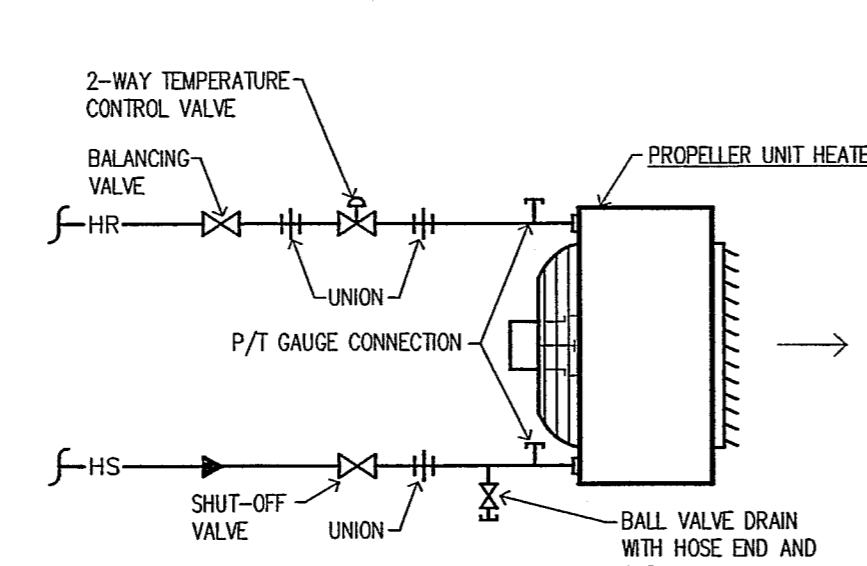
**HEAT RECOVERY COIL PIPING
DETAIL K**

NO SCALE



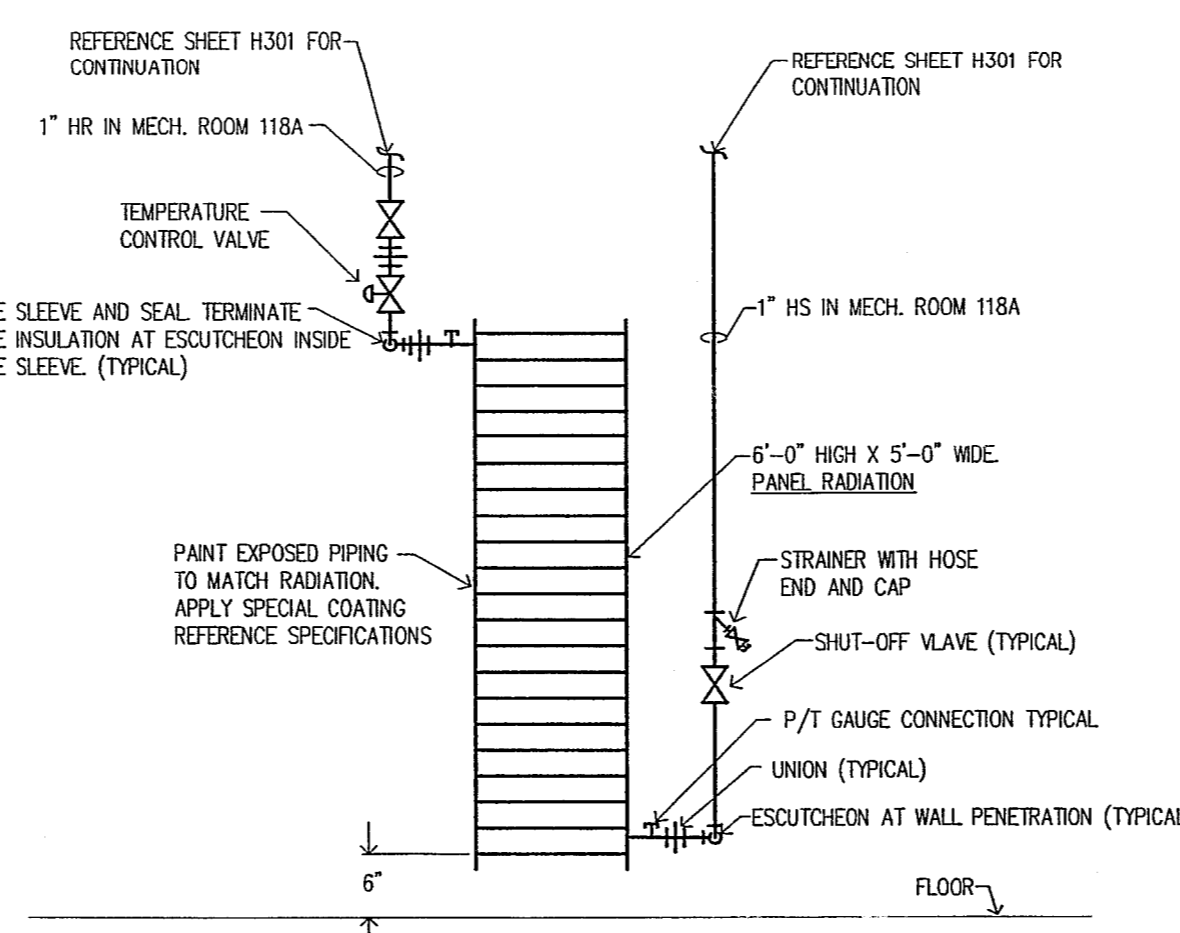
**POOL HEAT EXCHANGER
DETAIL L**

NO SCALE



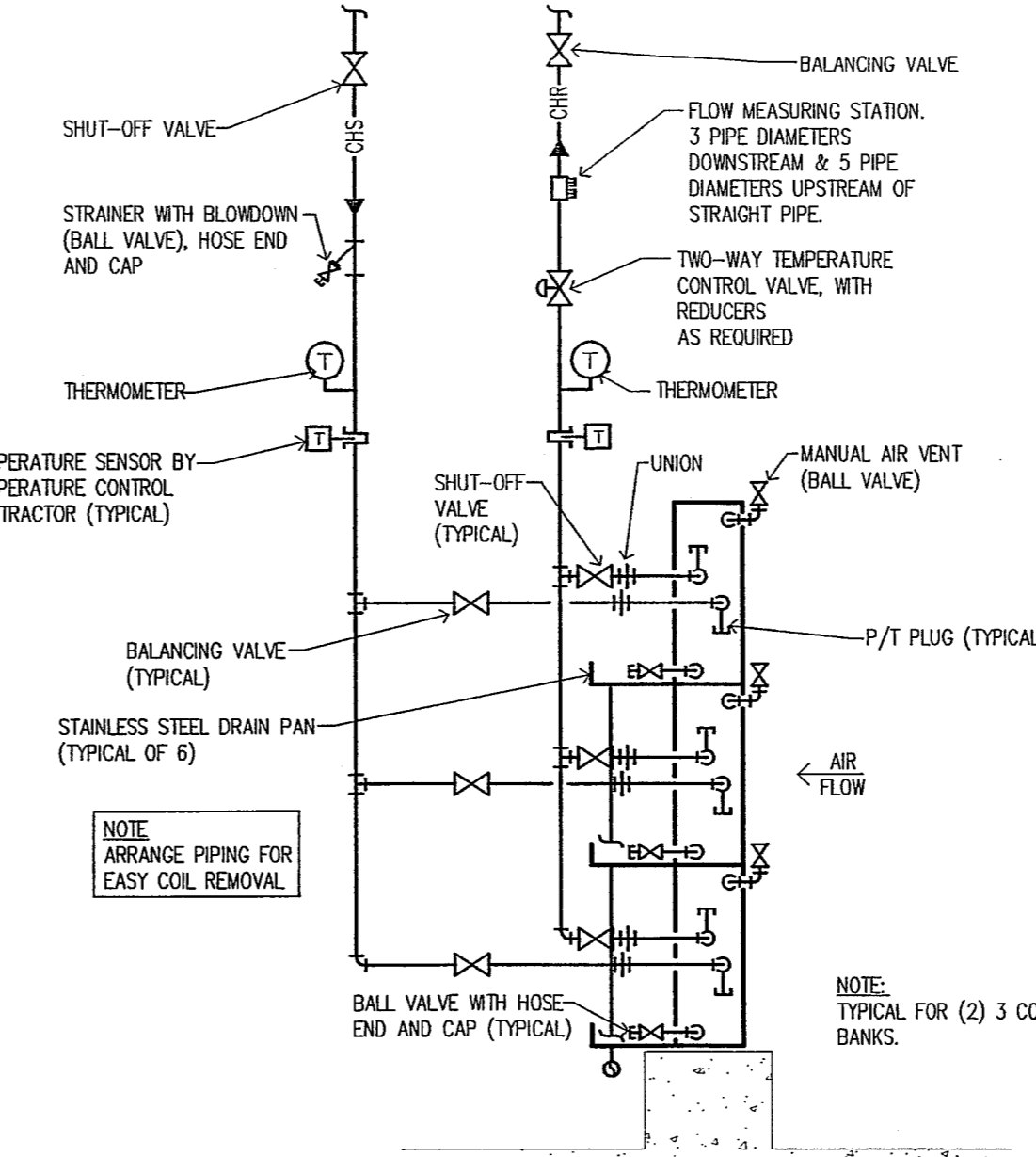
**PROPELLER UNIT HEATER
DETAIL M**

NO SCALE



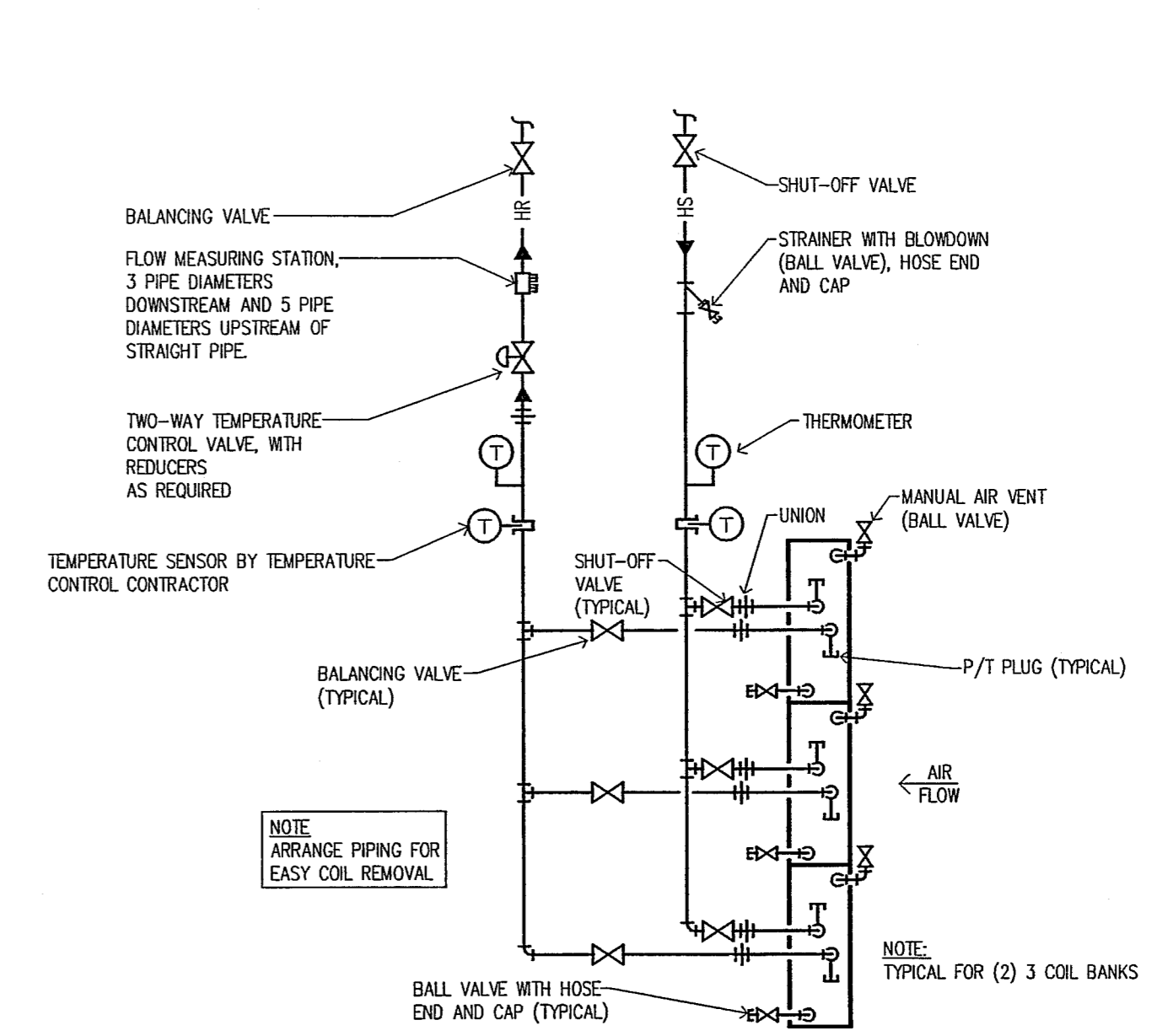
**PANEL RADIATION PIPING
DETAIL N**

NO SCALE



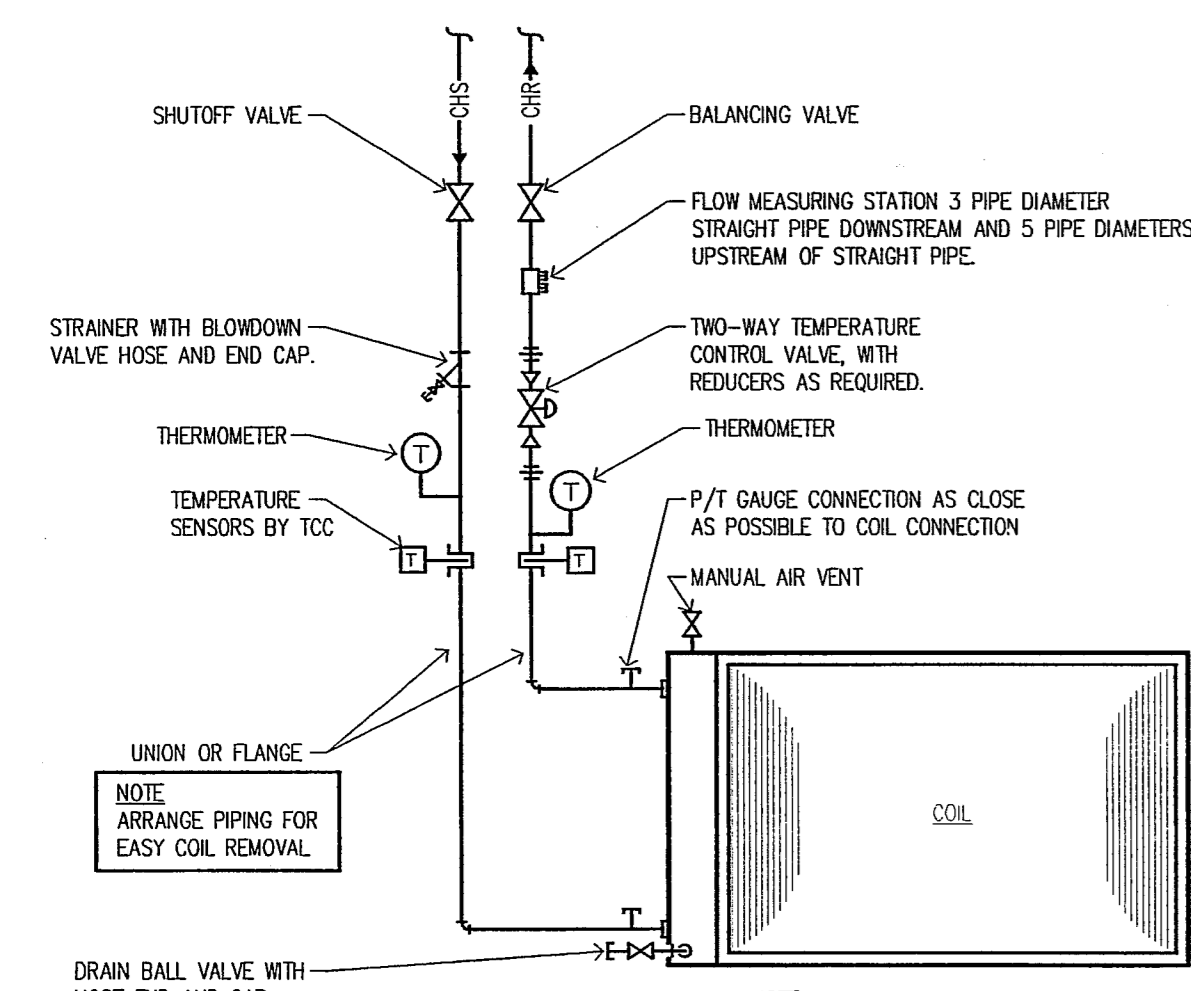
**AHU-1 COOLING COIL PIPING
DETAIL P**

NO SCALE



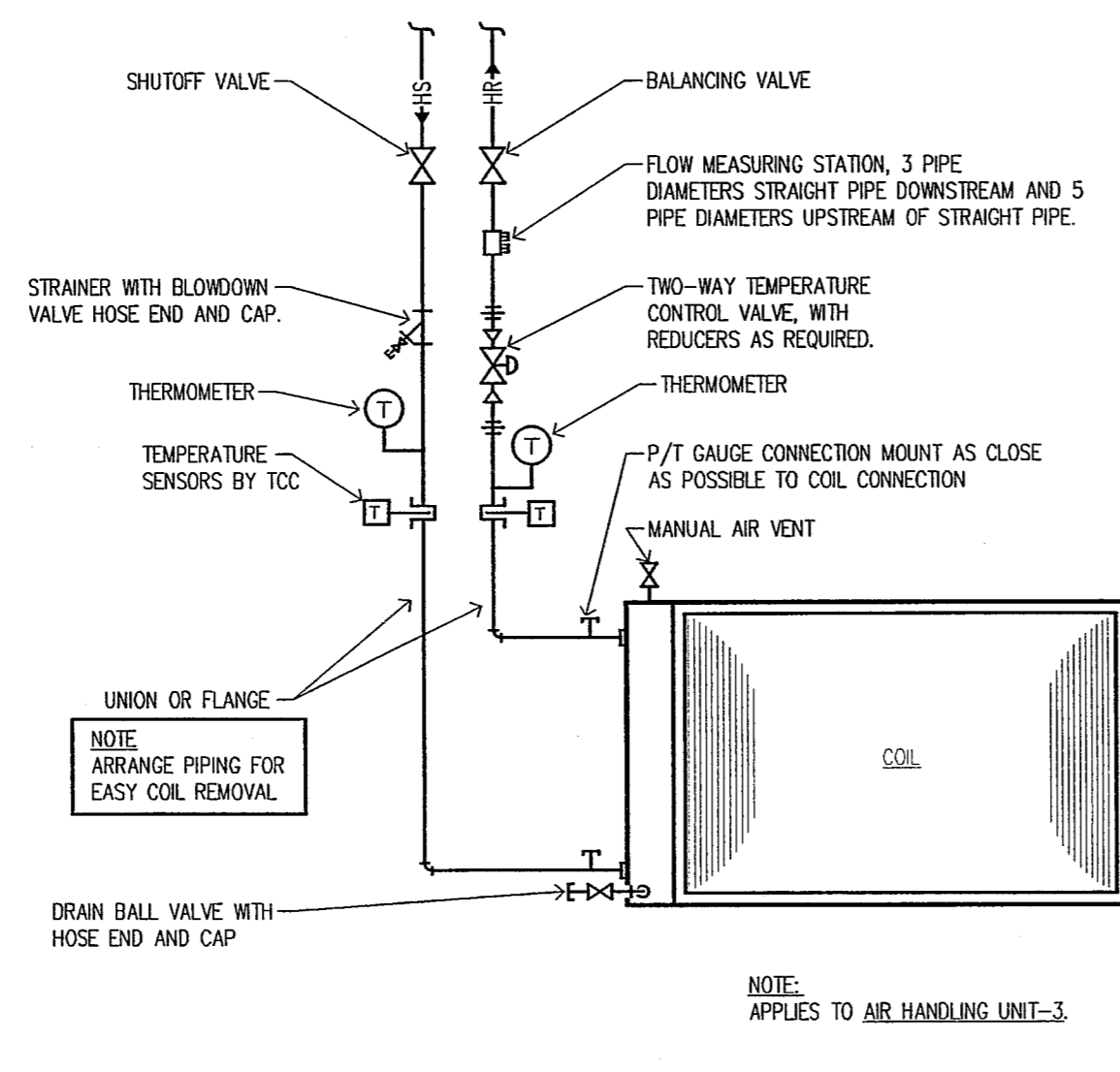
**AHU-1 COIL PIPING
DETAIL Q**

NO SCALE



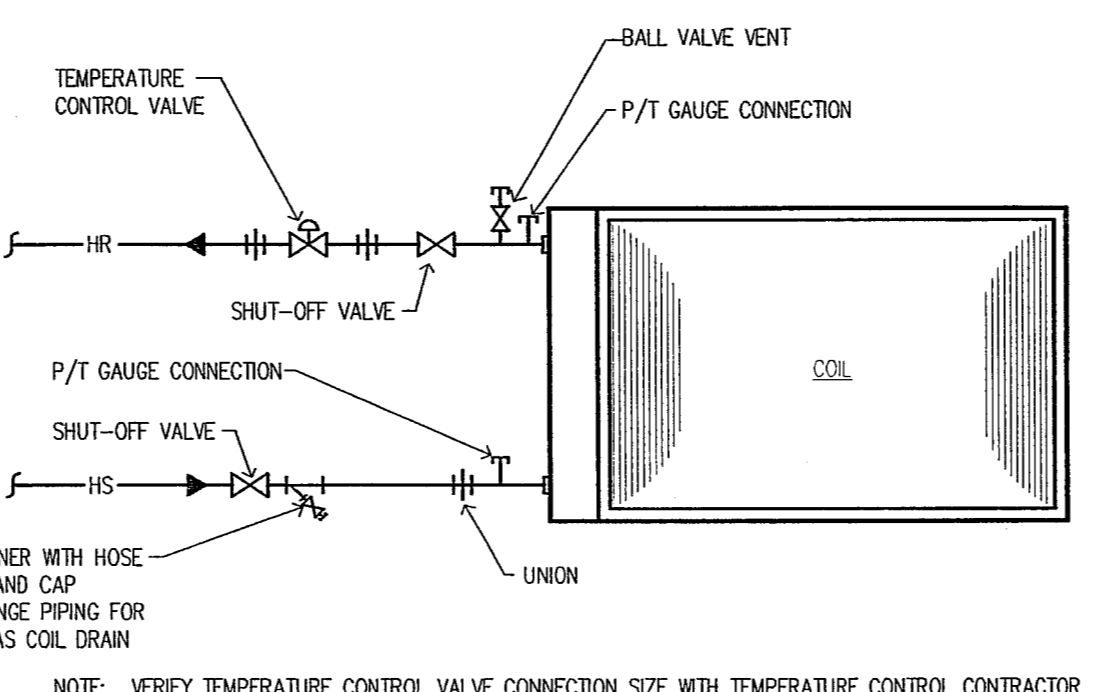
**COOLING COIL PIPING
DETAIL R**

NO SCALE



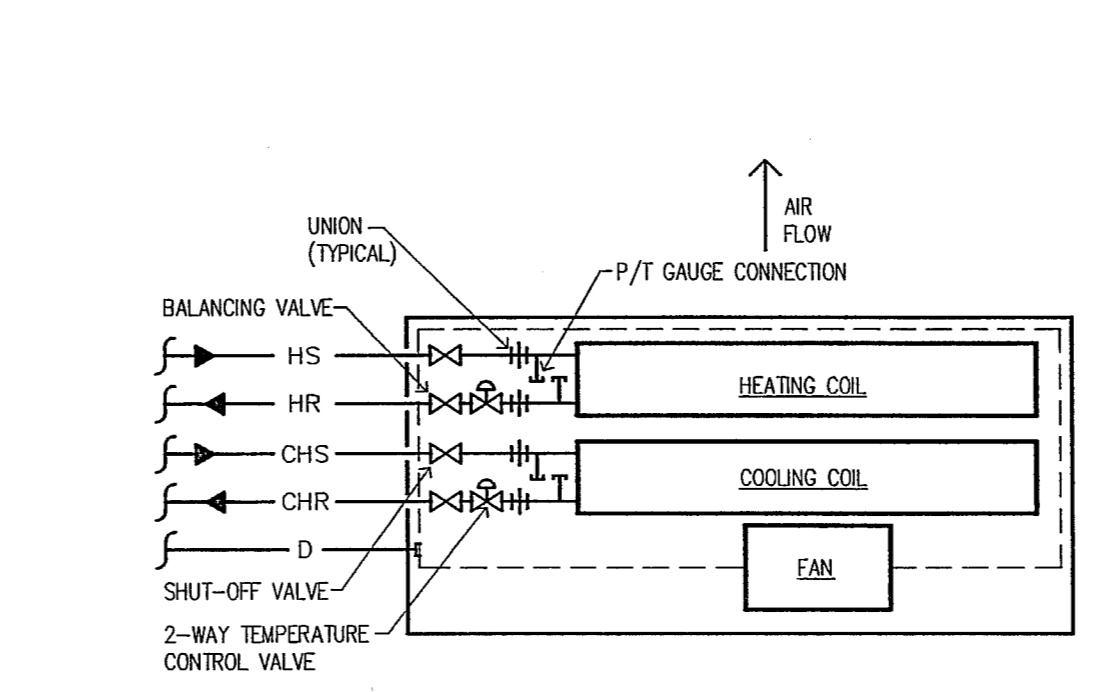
**PREHEAT COIL PIPING
DETAIL S**

NO SCALE



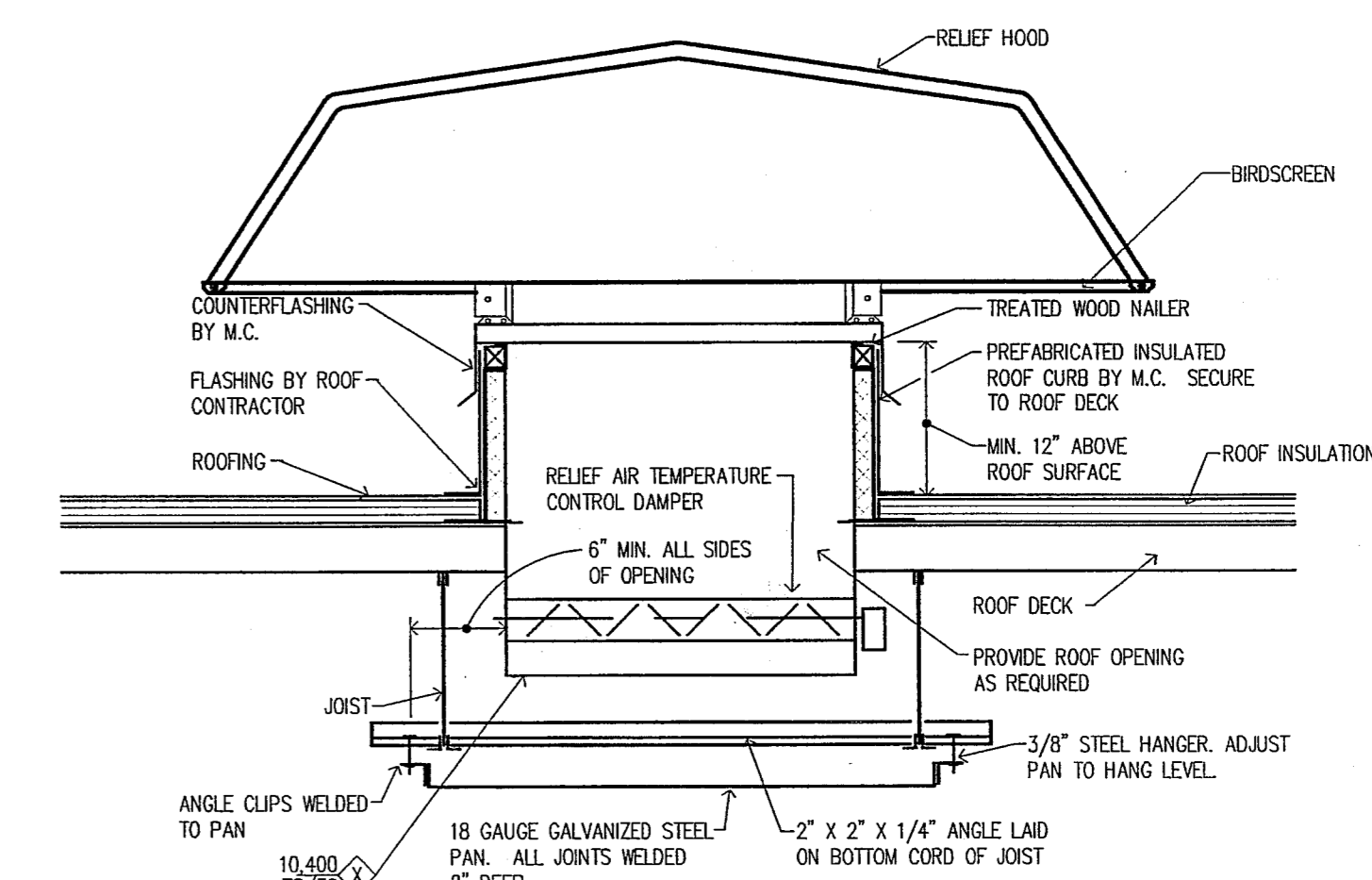
**DUCT HEATING COIL PIPING
DETAIL T**

NO SCALE



**FAN COIL UNIT PIPING
DETAIL U**

NO SCALE



**RELIEF VENT CURB INSTALLATION
DETAIL V**

NO SCALE

**BROWNING
DAY MULLINS
DIERDORF
ARCHITECTS**

Browning Day Mullins Dierdorf Inc
Architecture
Landscape Architecture
Planning

334 North Senate Avenue
Indianapolis, IN 46204
P: 317.635.5030
F: 317.634.5409
E-MAIL: info@bmdmd.com

Circle Design Group, Inc.
MEP Engineer

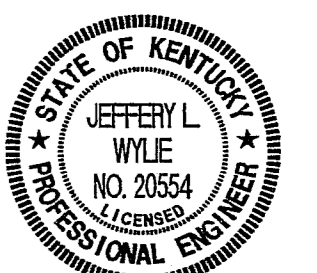
5510 S. East Street, Suite F
Indianapolis, Indiana 46227
PHONE: 317.781.8200
FAX: 317.781.8201
E-MAIL: kerry@circledesigngroup.com

Lawson Elser Engineering Consultants
Structural Engineers

650 East Carmel Drive, Suite 310
Carmel, Indiana 46032
P: 317.574.9400
F: 317.574.9431
E-MAIL: mlawson@lawsonelser.com

Skews Engineering Inc.
Civil Engineers

400 Blankenbaker Parkway, Suite 300
Louisville, KY 40243
P: 502.254.2344
F: 502.254.3000
E-MAIL: dmckinnon@skews.com



**CONSTRUCTION
DOCUMENTS**

**CARDINAL PARK
NATATORIUM**

UNIVERSITY OF LOUISVILLE

Project: 03006
Drawn: ROBERT E. SMITH
Checked: KERRY L. SMITH
Scale: NO SCALE
Issue Date: AUGUST 28, 2003
Revision:

**DETAILS
HVAC**

H601 OFFICIAL BID DOCUMENT