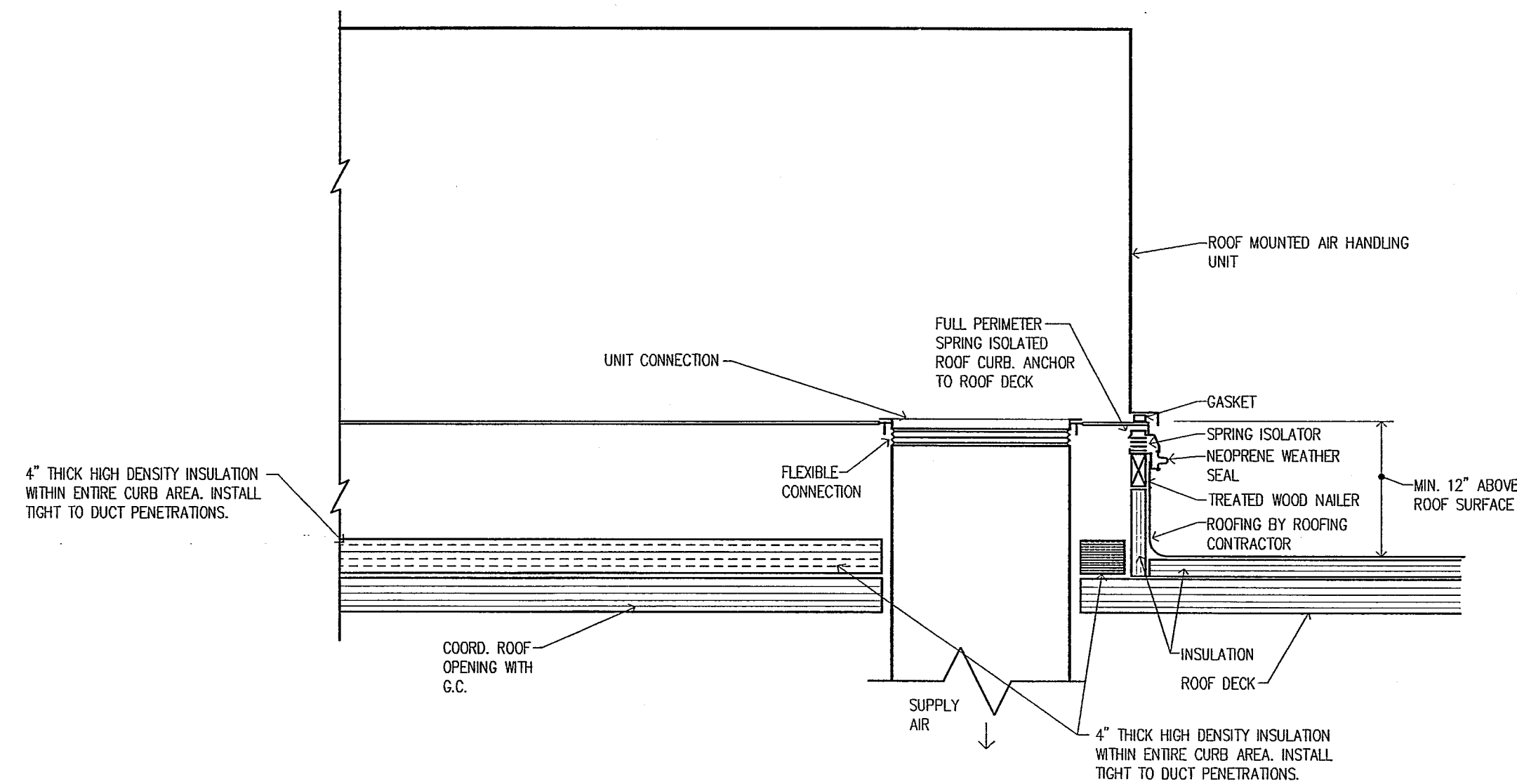
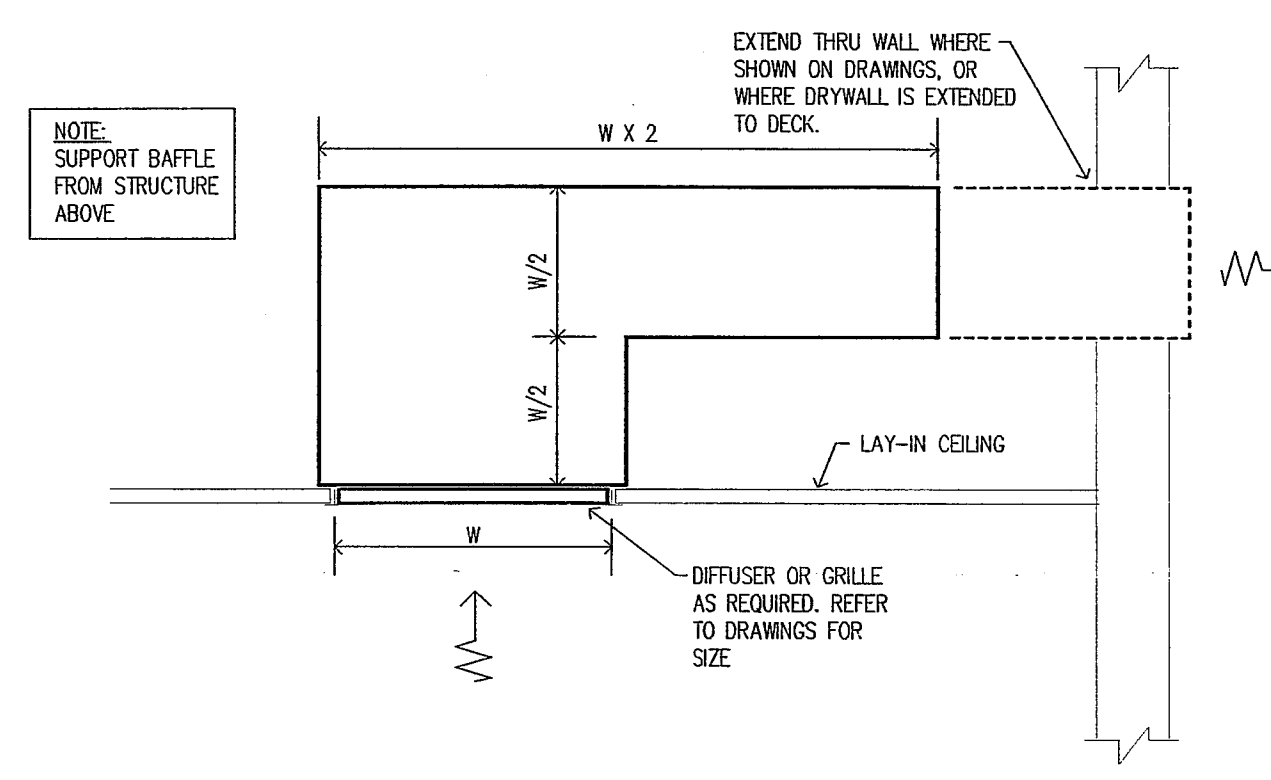


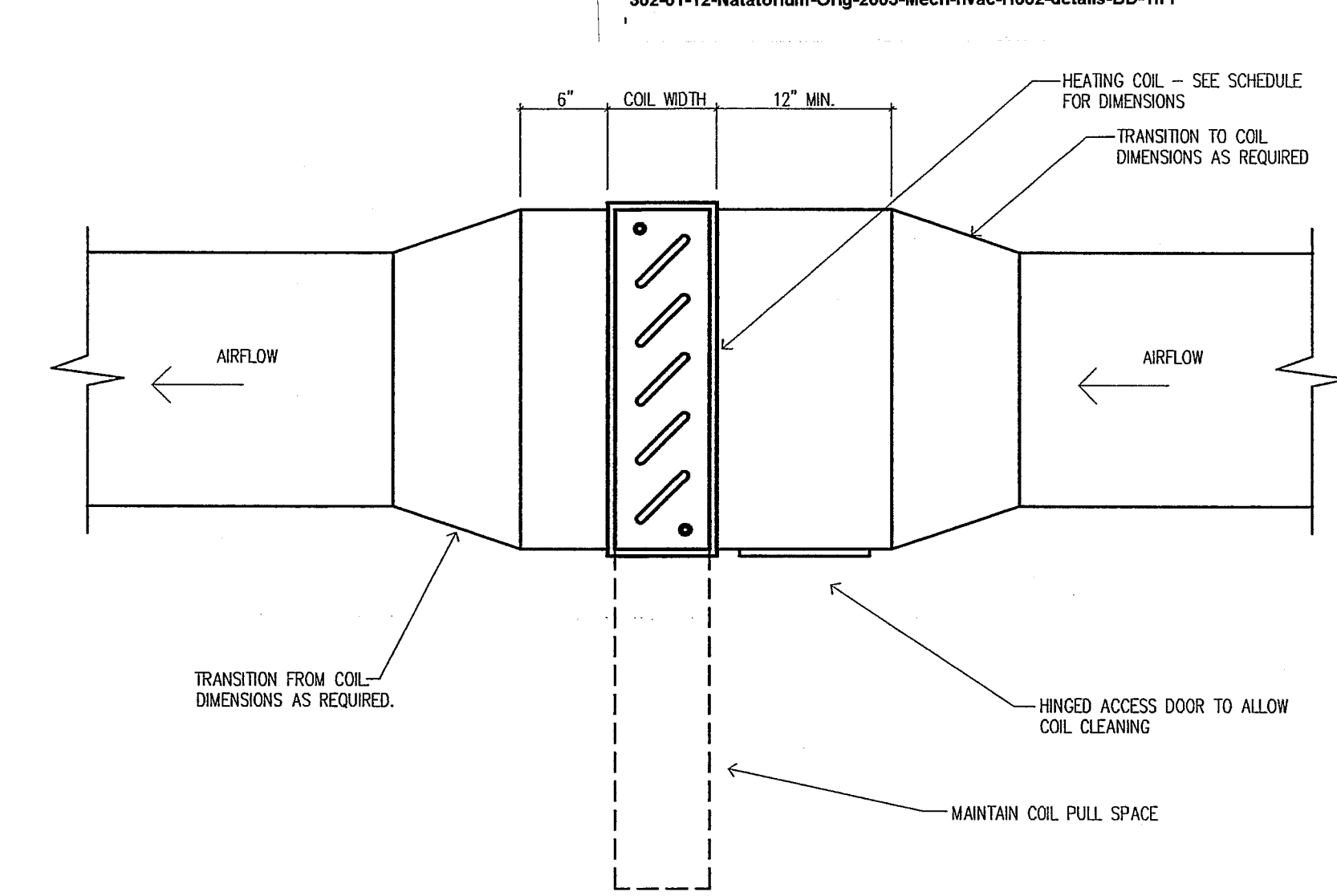
**EXHAUST FAN CURB INSTALLATION  
DETAIL A**  
NO SCALE



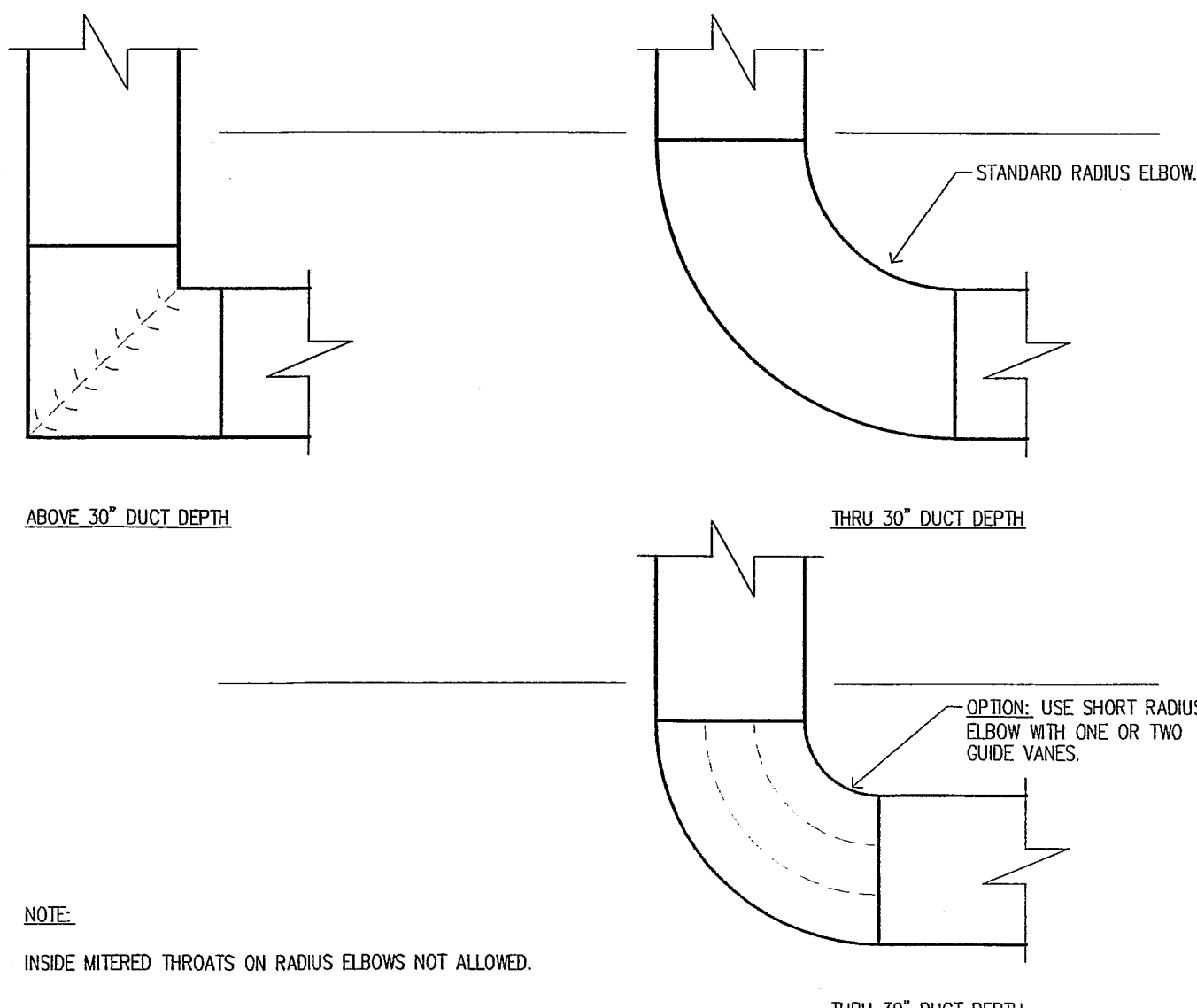
**ROOF MOUNTED AIR HANDLING  
UNIT CURB INSTALLATION  
DETAIL B**  
NO SCALE



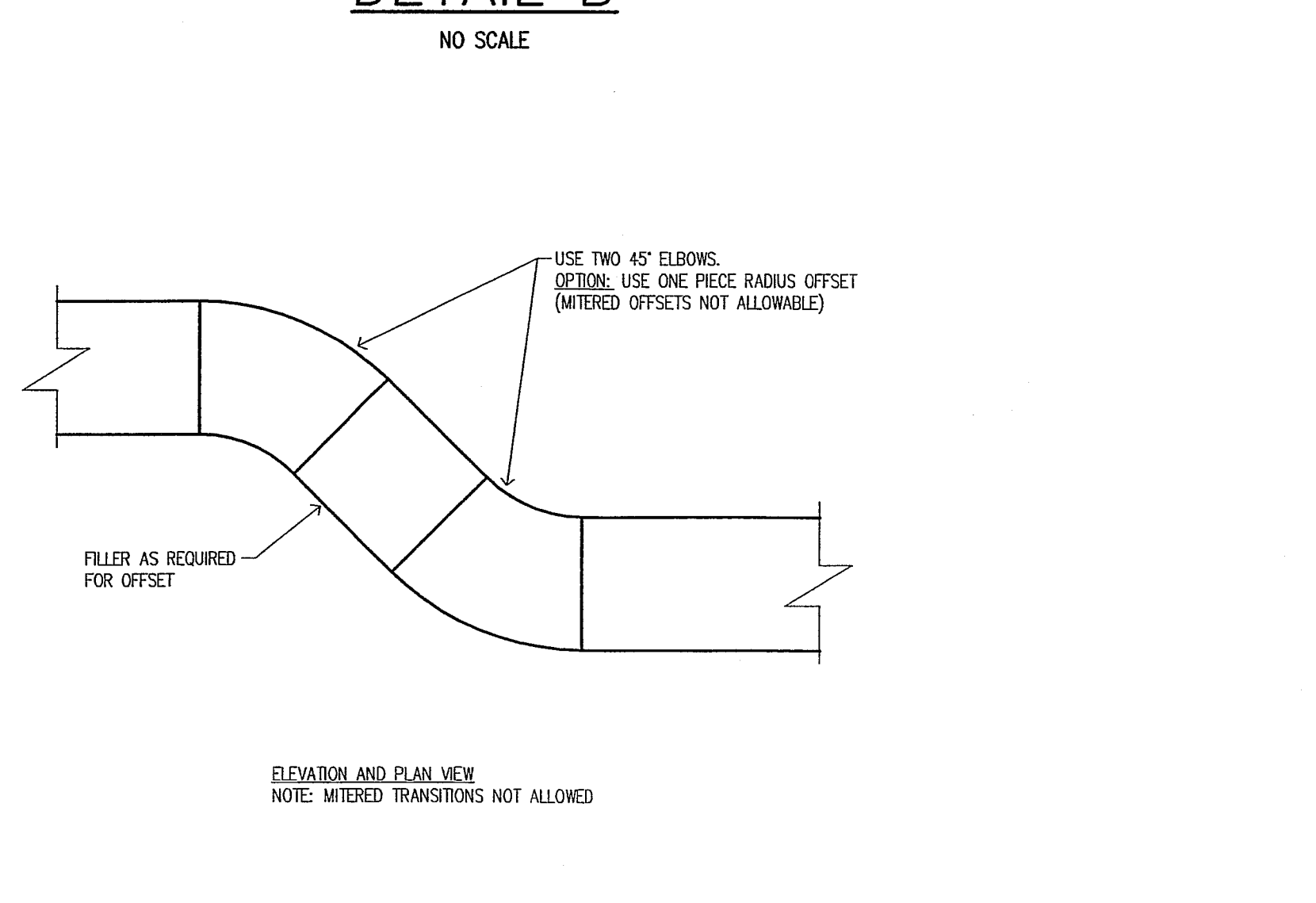
**RETURN AIR SOUND Baffle  
DETAIL C**  
NO SCALE



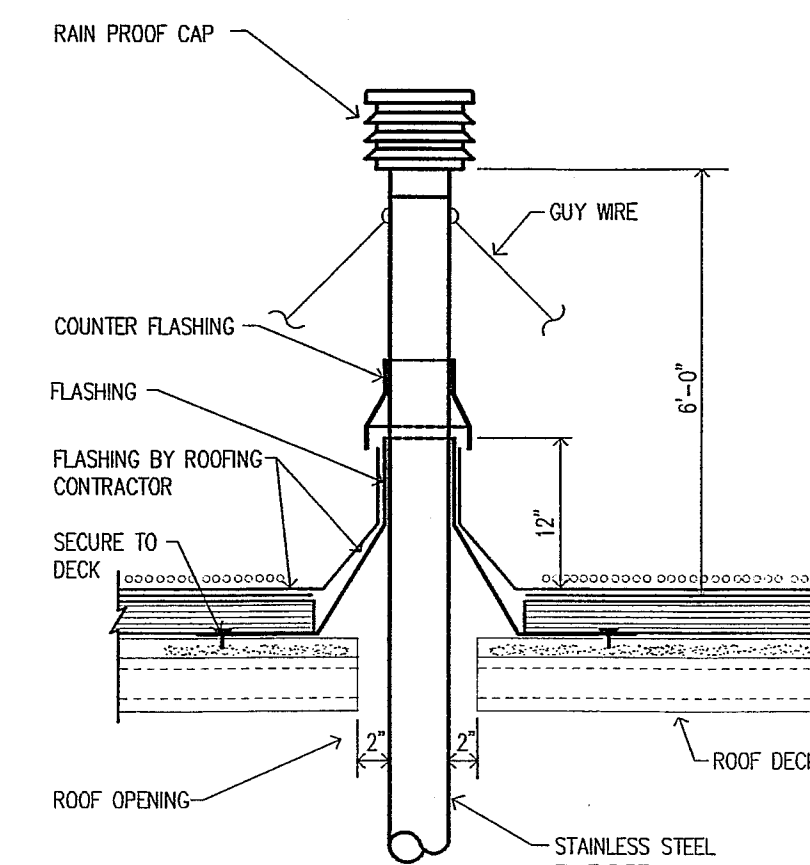
**DUCT MOUNTED HEATING COIL  
DETAIL D**  
NO SCALE



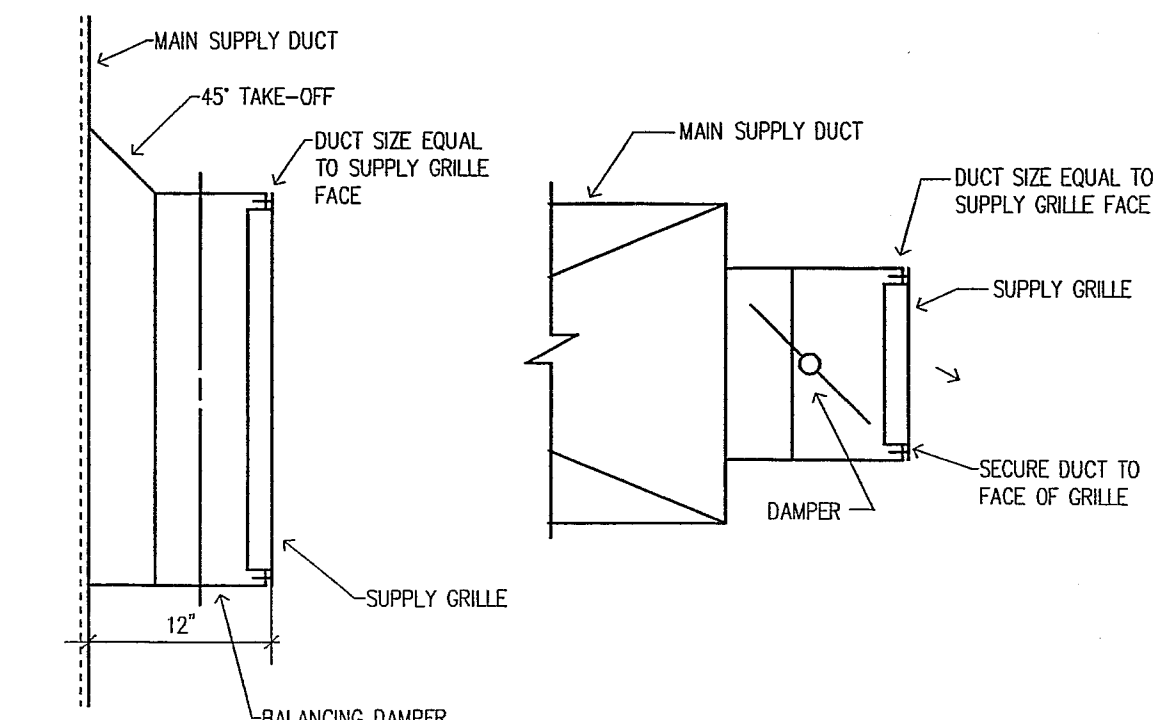
**DUCT RISER BOTTOM CONFIGURATION  
DETAIL E**  
NO SCALE



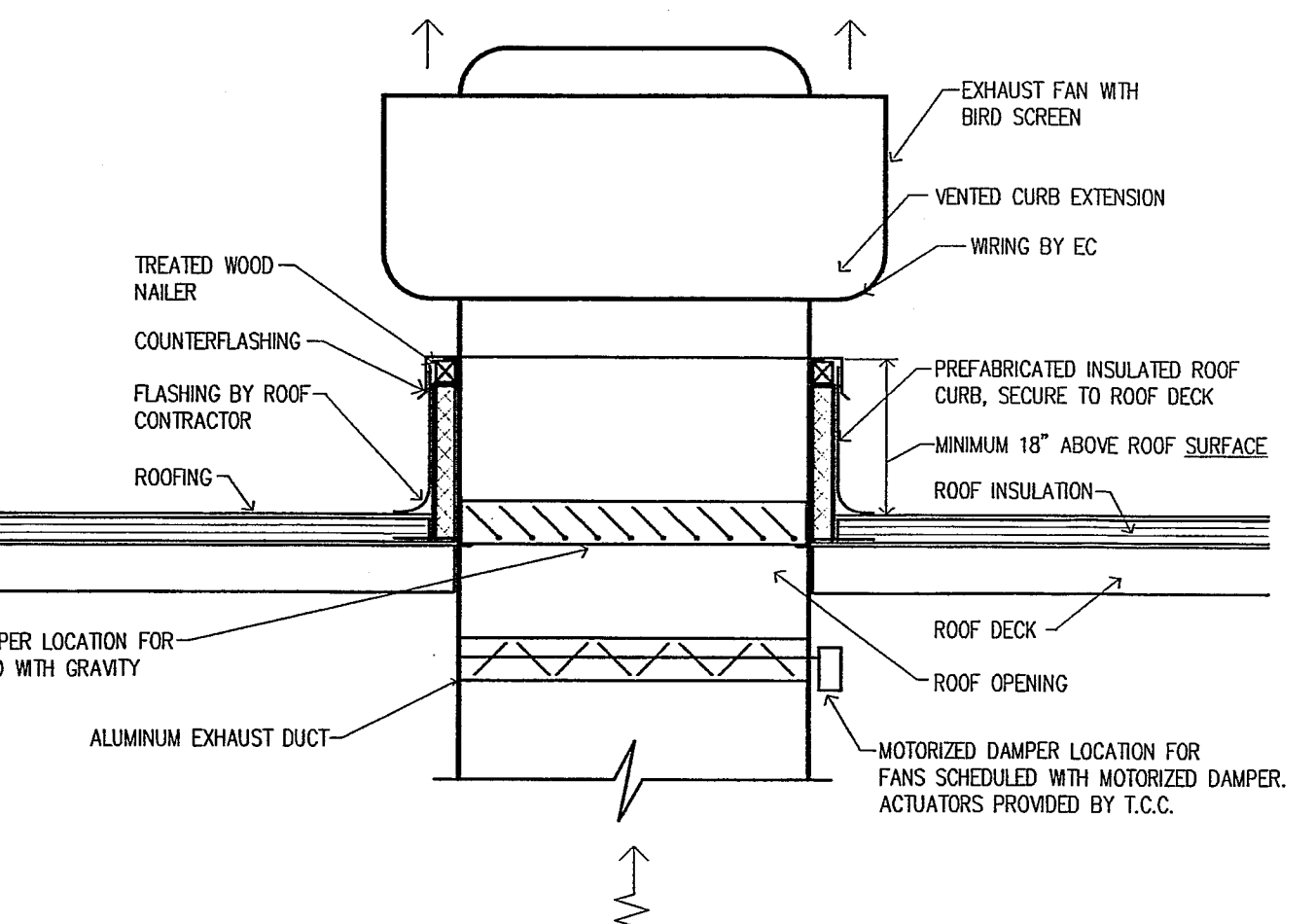
**TYPICAL DUCT OFFSET CONFIGURATION  
DETAIL F**  
NO SCALE



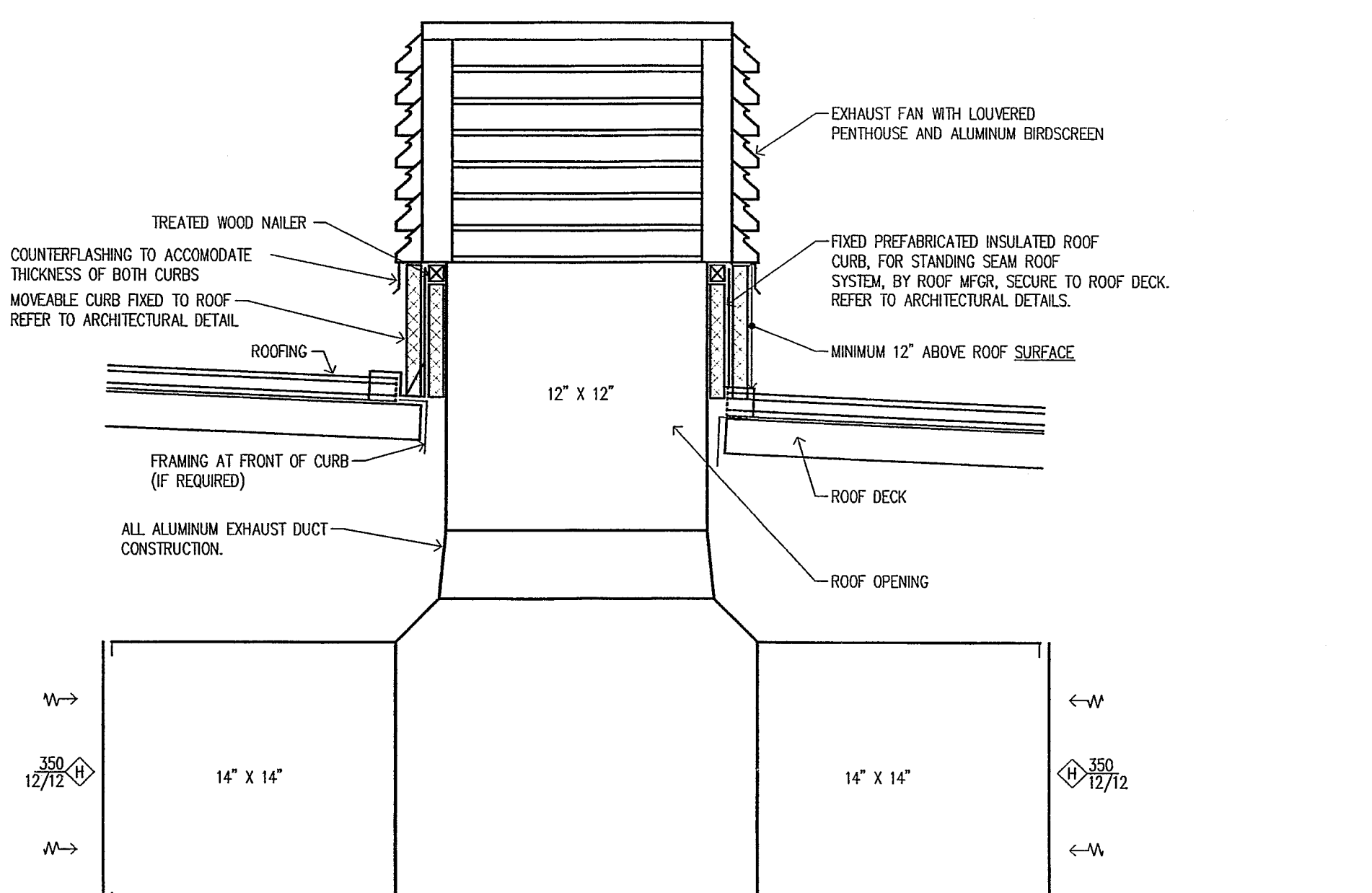
**FLUE THRU ROOF  
DETAIL G**



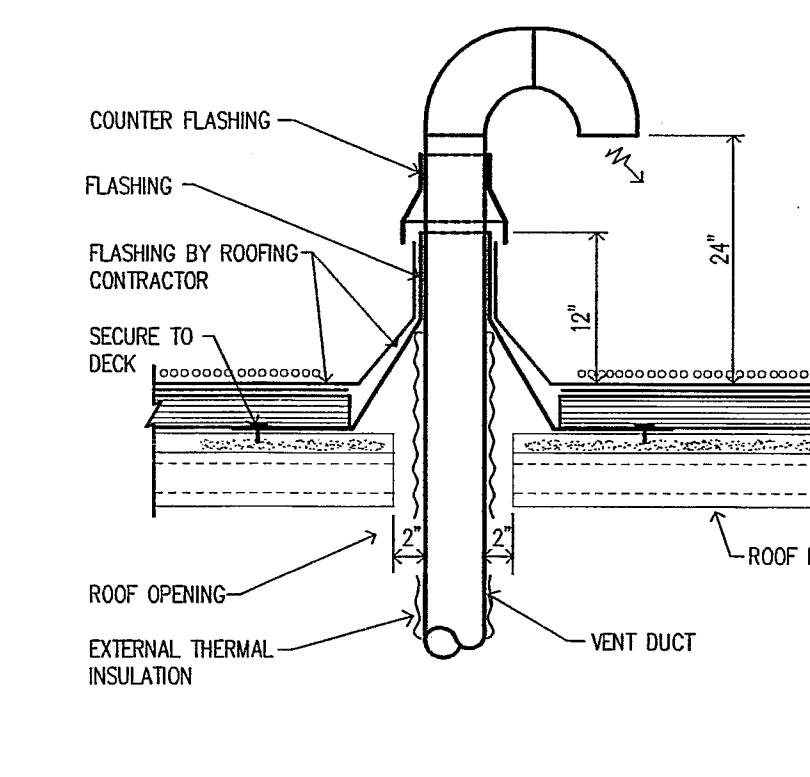
**GRILLE & DAMPER  
DETAIL H**  
NO SCALE



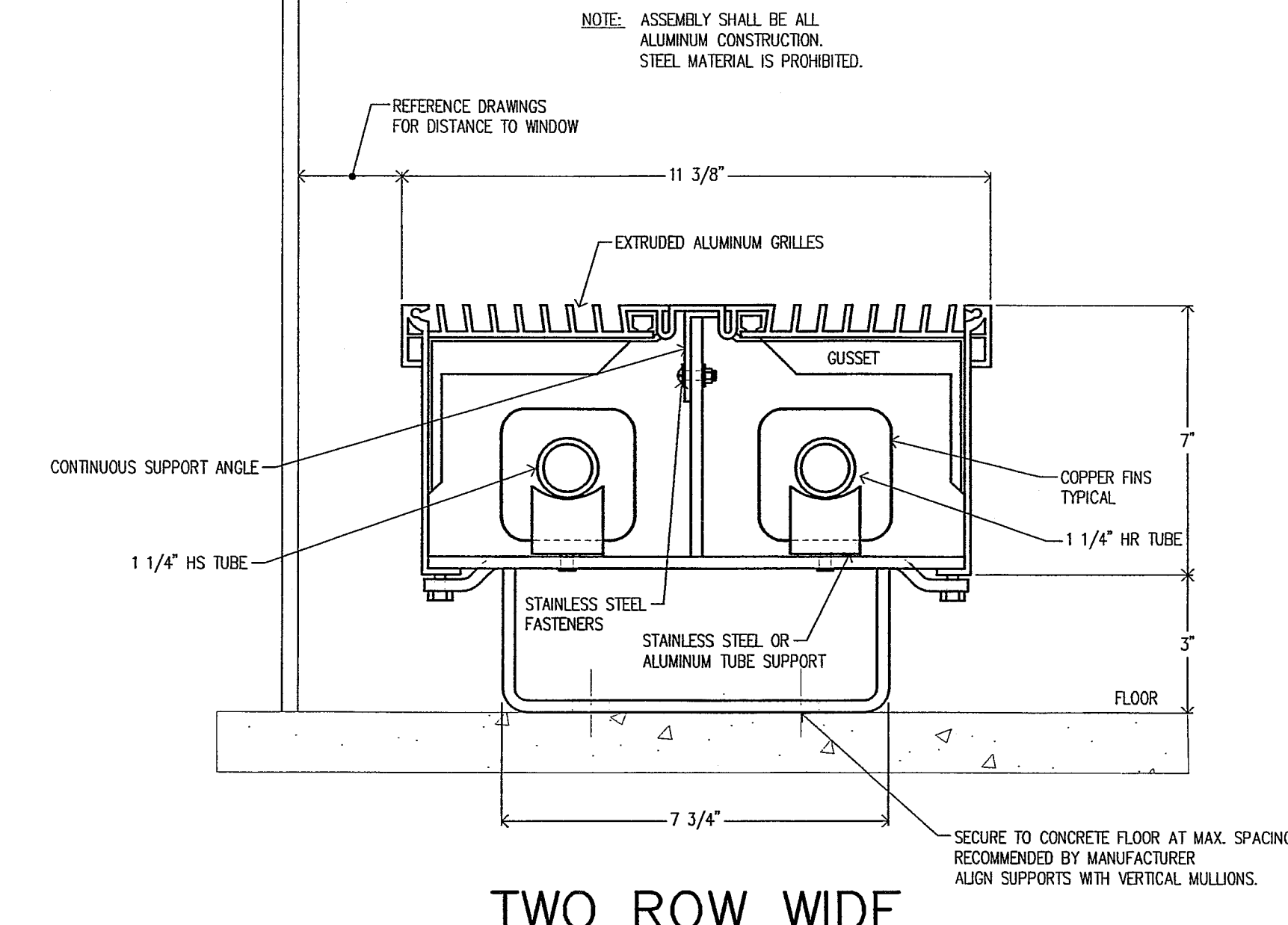
**UPBLAST EXHAUST FAN CURB INSTALLATION  
DETAIL J**  
NO SCALE



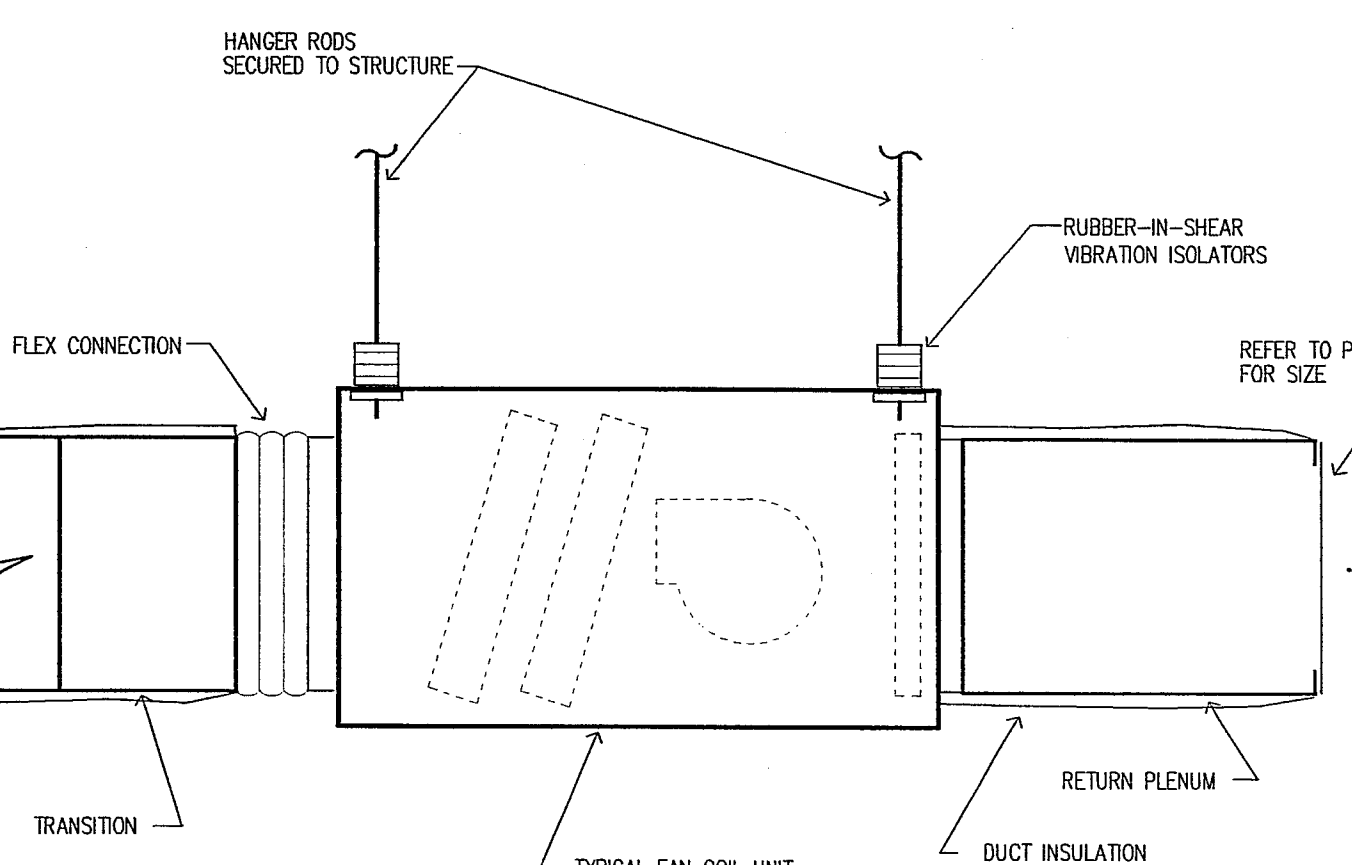
**LOUVERED EXHAUST FAN CURB INSTALLATION  
DETAIL K**  
NO SCALE



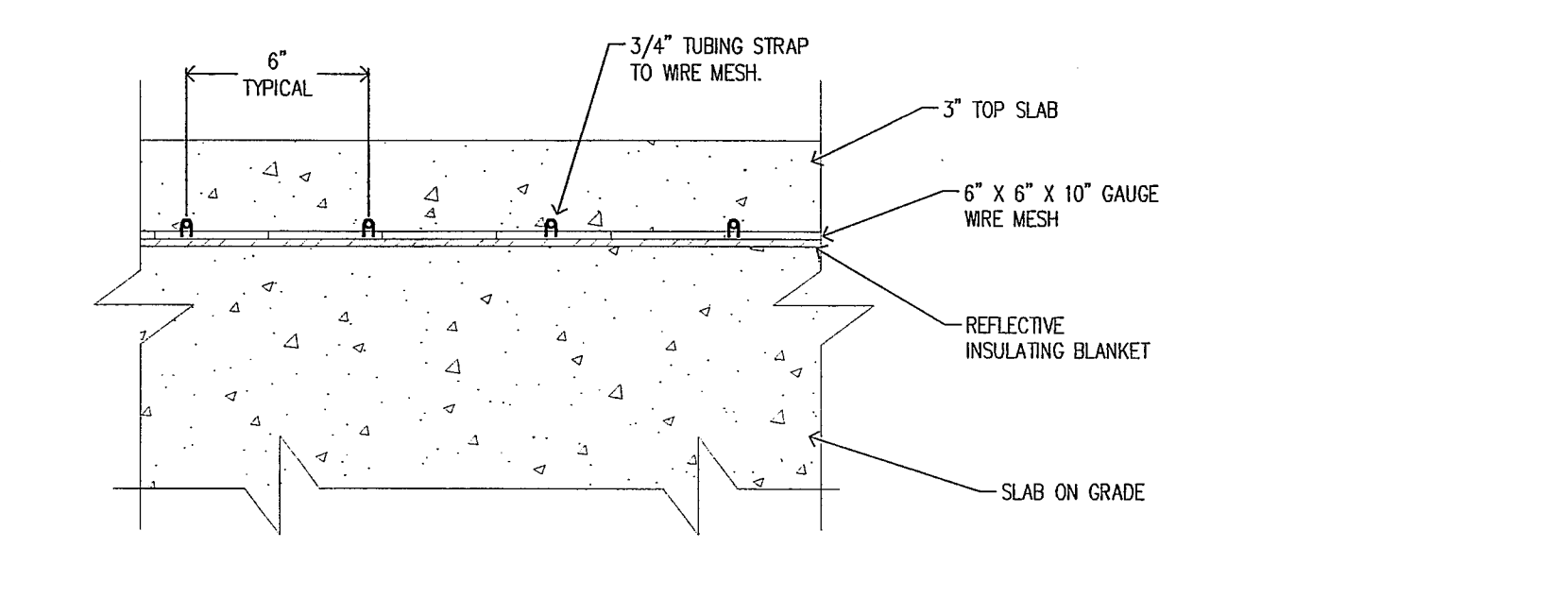
**GOOSENECK VENT THRU ROOF  
DETAIL L**  
NO SCALE



**TWO ROW WIDE  
FLOOR MOUNTED RADIATION  
DETAIL M**  
NO SCALE



**FAN COIL UNIT INSTALLATION  
DETAIL N**  
NO SCALE



**IN-SLAB RADIATION INSTALLATION  
DETAIL P**  
NO SCALE



*Jeffery L. Wyle*  
CERTIFICATION

**CONSTRUCTION  
DOCUMENTS**

**CARDINAL PARK  
NATATORIUM**

**UNIVERSITY OF LOUISVILLE**

Project: 03006  
Drawn: ROBERT E. SMITH  
Checked: KERRY L. SMITH  
Scale: NO SCALE  
Issue Date: AUGUST 28, 2003  
Revised:

**DETAILS  
HVAC**

**H602**