

MICHAEL L. KNOLL
ARCHITECT
348 South Main Street
Versailles, Kentucky 40383
Phone: 858-873-8000
Email: 3mknoll@att.net

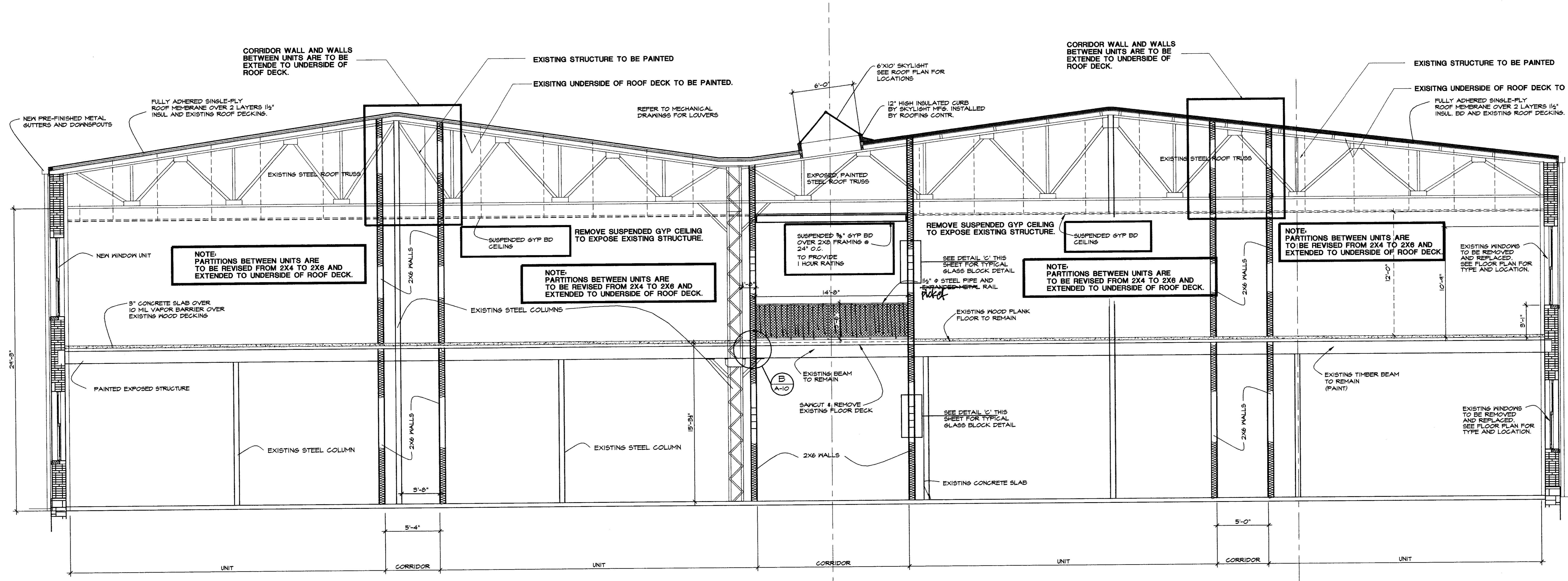
HERRICK & ASSOCIATES
Consulting Engineers
LEADSPRINGER KY
DESIGN-ENGINEERING
589 271 DUES
EDMUNTON KY
O. DAVID PRESTON, P.E.

The McGowin Company
Commercial Real Estate

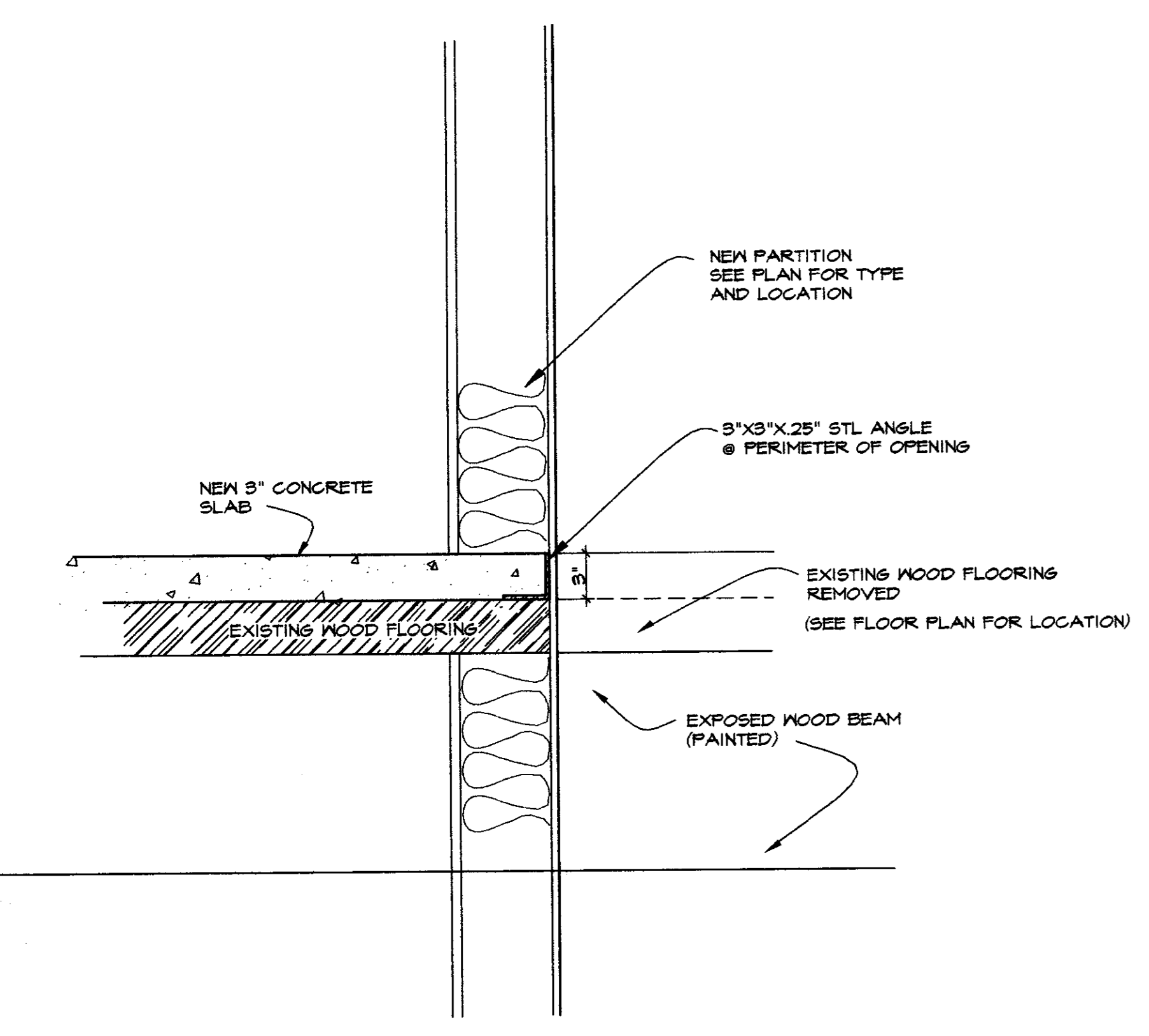
PROJECT:
LEXINGTON LOFTS
200 BOLIVAR STREET
LEXINGTON, KENTUCKY
DRAWING:
BUILDING SECTIONS

DATE: 9/05/02
DRAWN BY: MLK
REVISIONS:
10/1/02
1/10/03
3/3/04
8/25/04

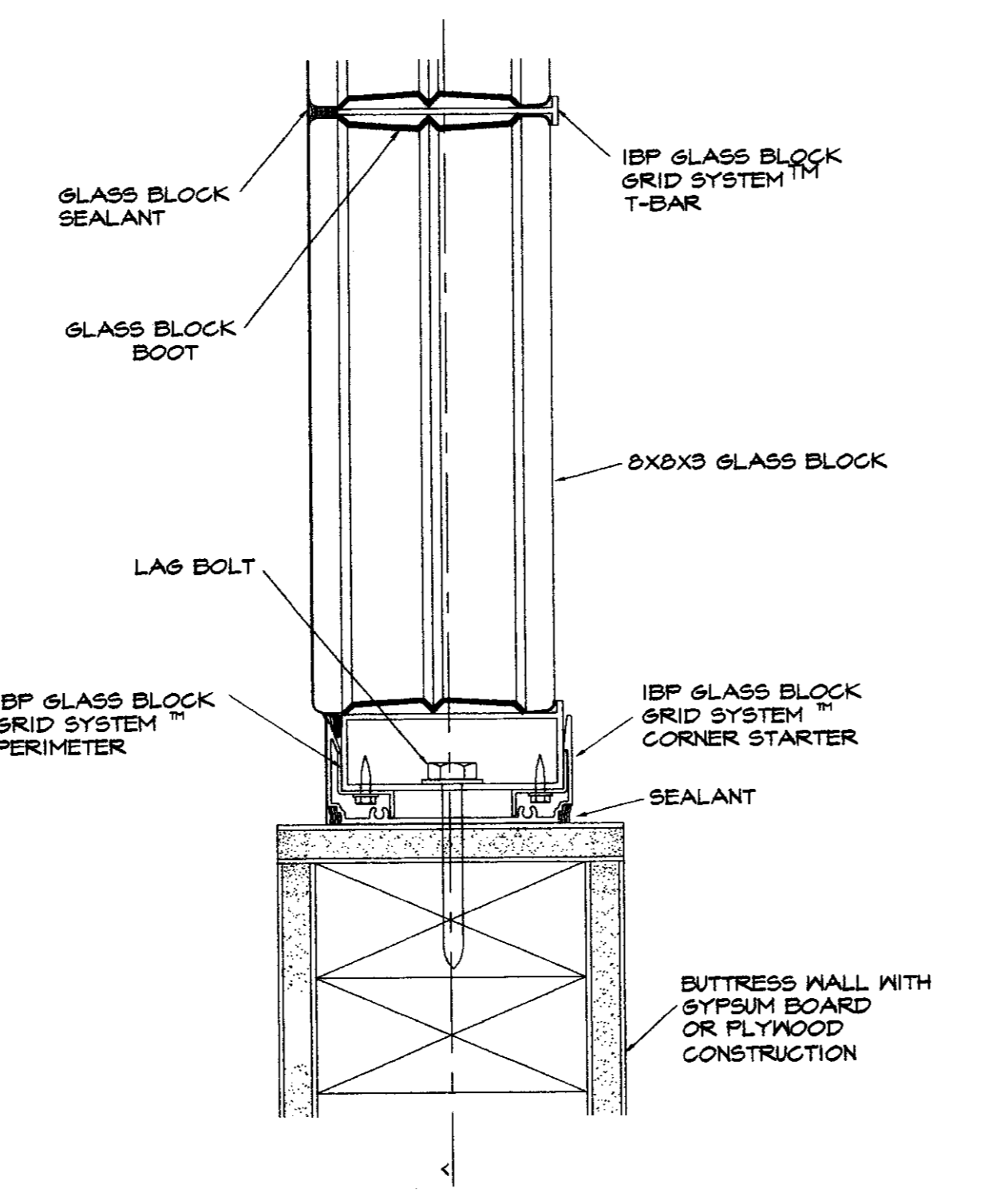
SHEET NO.
A-10



BUILDING SECTION
SCALE: 1/4" = 1'-0"
A



DETAIL
SCALE: 1/2" = 1'-0"
B



INTERIOR PARTITION @ SILL, JAMB OR HEAD
C

AS-BUILT DRAWING 8/25/04

Sheet # 8/25/04
Page # 234
Document # 3-2112