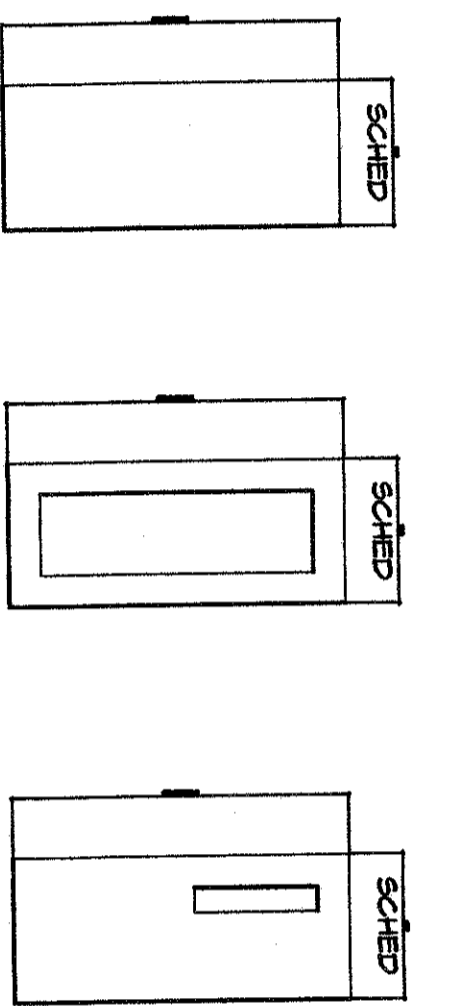


INTERIOR DOORS, 1/4" CLEAR
EXTERIOR DOORS, 1" INSUL. (11'-0" CLEAR) (8'-0" MIN. HEAD)



DOOR TYPES
SCALE: 1/4" = 1'-0"

SCALE: 1/4" = 1'-0"

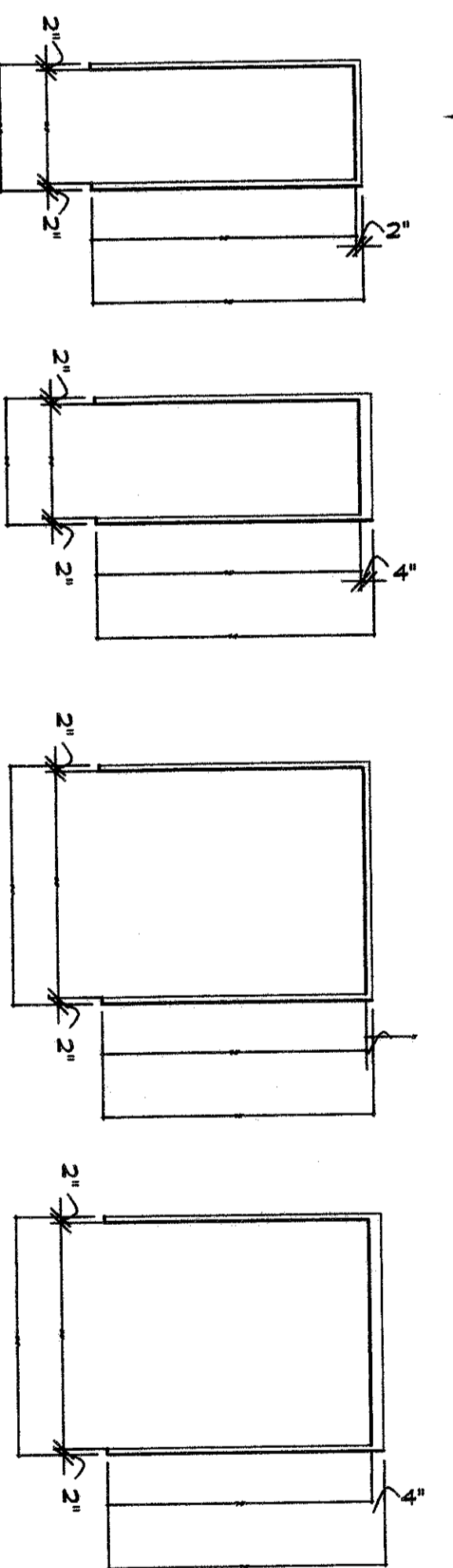
GENERAL NOTES:

HOLLOW METAL
A. EXT. DOORS, MILL GALVANIZED, INSULATED CORE
B. FRAMES IN MASONRY WALLS: REINF. HEAD

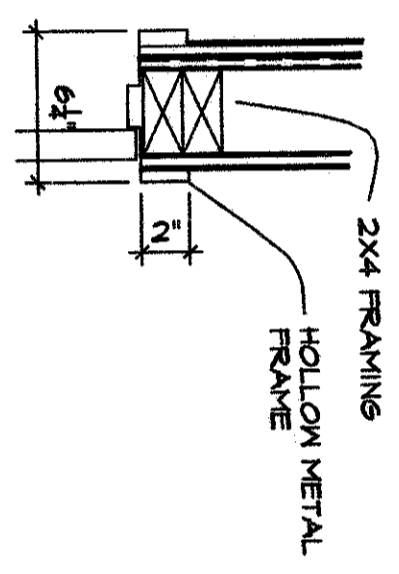
WOOD DOORS

A. SOLID CORE, PLAN SLICED OAK, FACTORY FINISHED
NOTE: UNIT INTERIOR TO BE HOLLOW CORE
B. WILL MACHINED TO RECEIVE HARDWARE

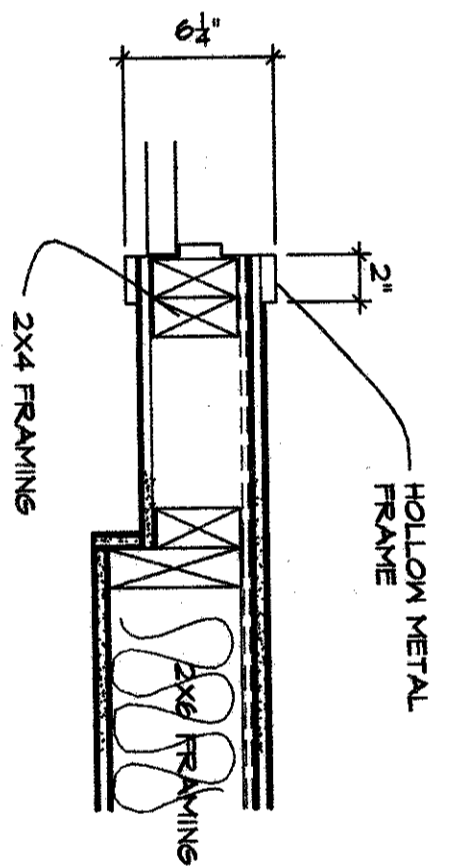
INTERIOR DOORS, 1/4" CLEAR



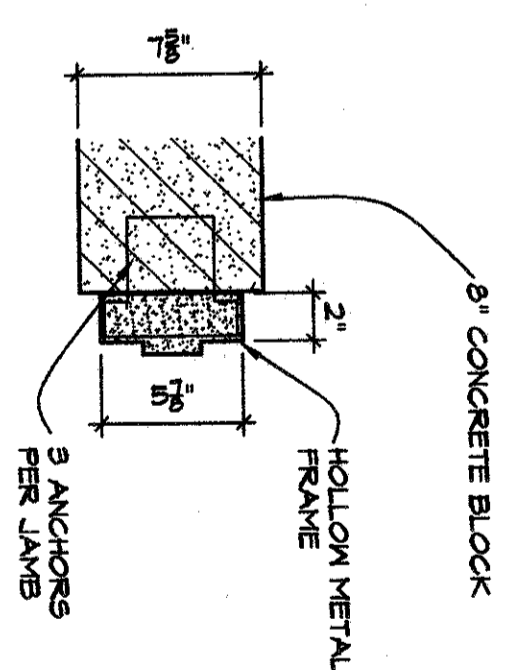
FRAME TYPES
SCALE: 1/4" = 1'-0"



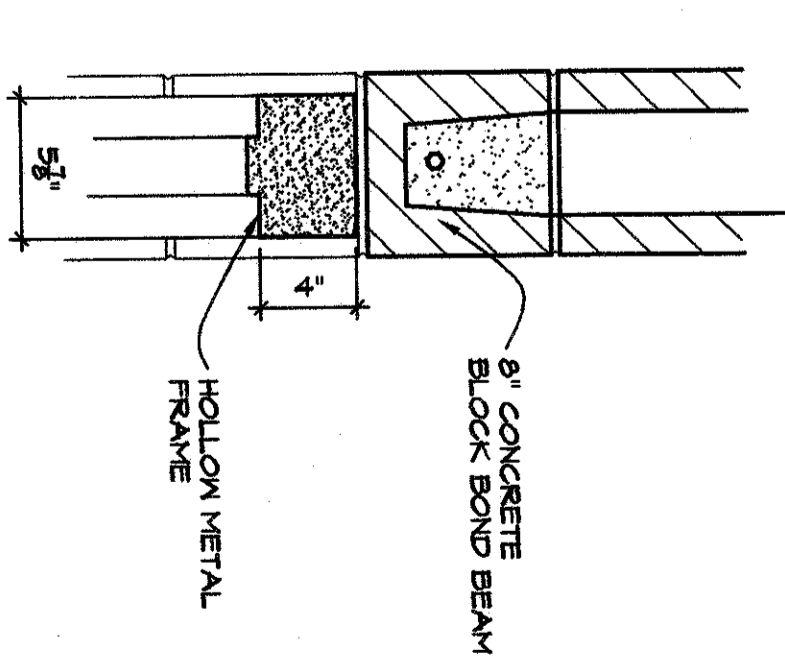
HEAD DETAIL H1
SCALE: 1/4" = 1'-0"



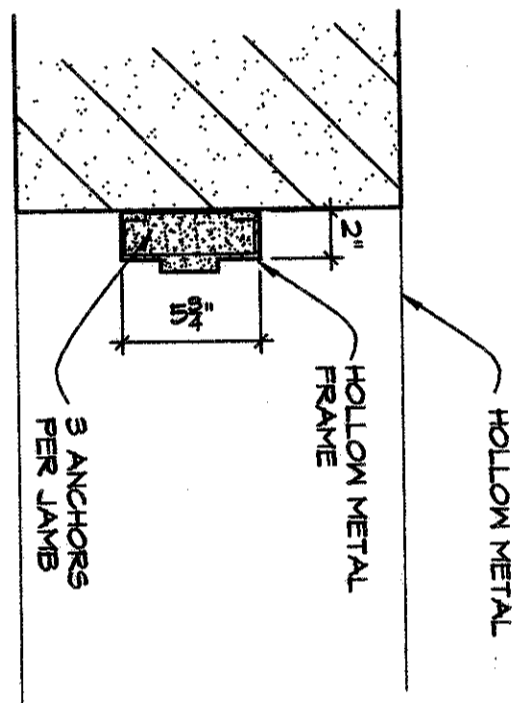
JAMB DETAIL J1
SCALE: 1/4" = 1'-0"



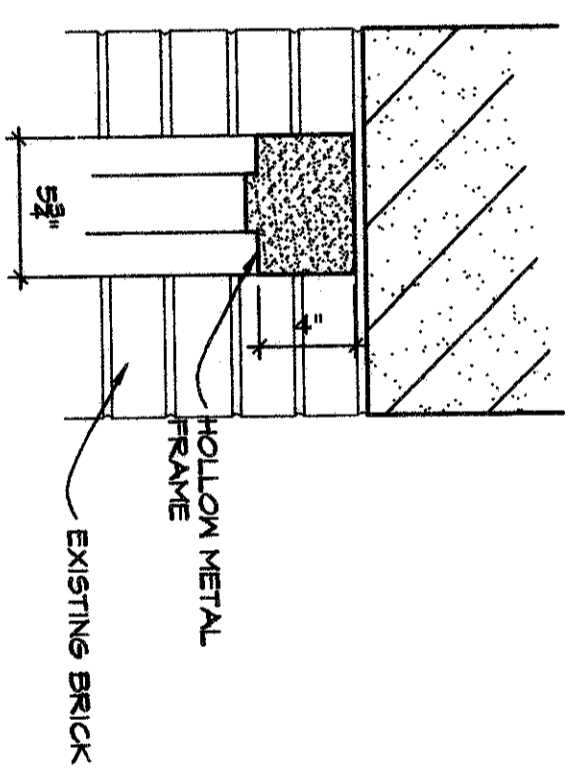
JAMB DETAIL J2
SCALE: 1/4" = 1'-0"



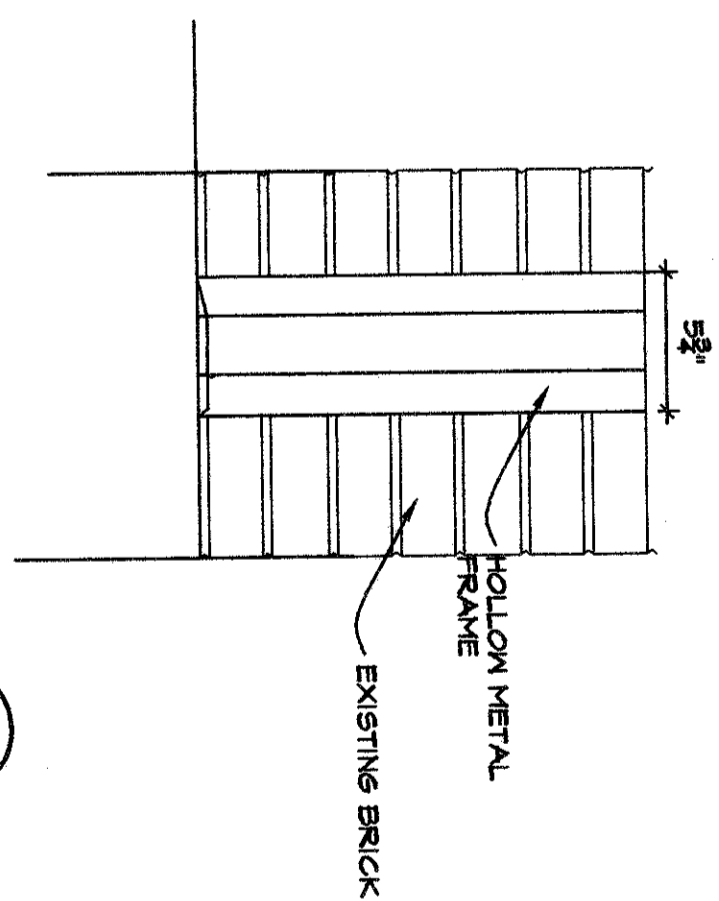
HEAD DETAIL H2
SCALE: 1/4" = 1'-0"



JAMB DETAIL J3
SCALE: 1/4" = 1'-0"



HEAD DETAIL H3
SCALE: 1/4" = 1'-0"



SILL DETAIL S1
SCALE: 1/4" = 1'-0"

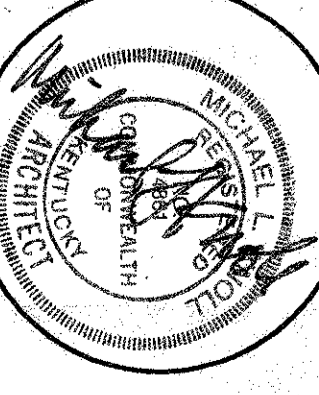
HUD Project No. _____

DATE: 9/5/02	PROJECT: LEXINGTON LOFTS 200 BOLIVAR STREET LEXINGTON, KENTUCKY
DRAWN BY: MLK	DRAWING: DOOR DETAILS
REVISIONS: 10/1/02 1/10/03 8/25/04	

The McGoodwin Company
Commercial Real Estate

HERRICK & ASSOCIATES
Consulting Engineers
859 271 0483 LEXINGTON KY
DESIGN-ENGINEERING
501 BROOKFARM COURT
LEXINGTON, KY 40517
O. DAVID PRESTON, P.E.

MICHAEL L. KNOLL
ARCHITECT
346 South Main Street
Versailles, Kentucky 40388
Phone: 859-873-1900
Email: 3mcknoll@gte.net



A-14
SHEET NO.

AS-BUILT DRAWING