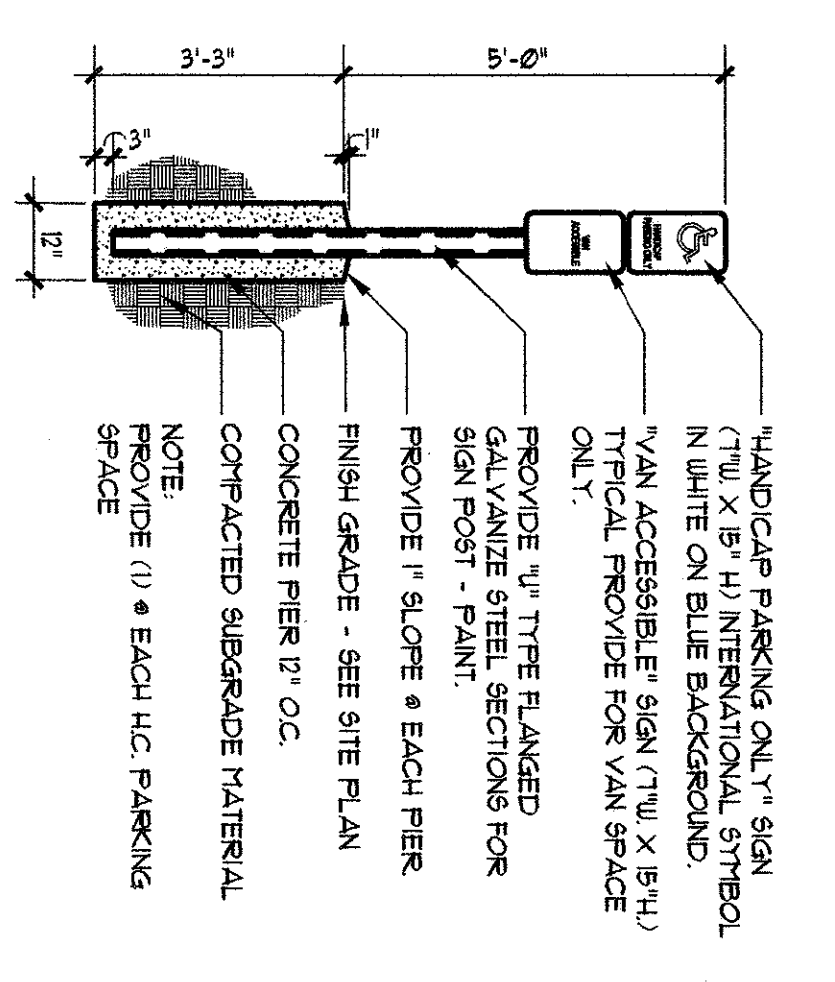
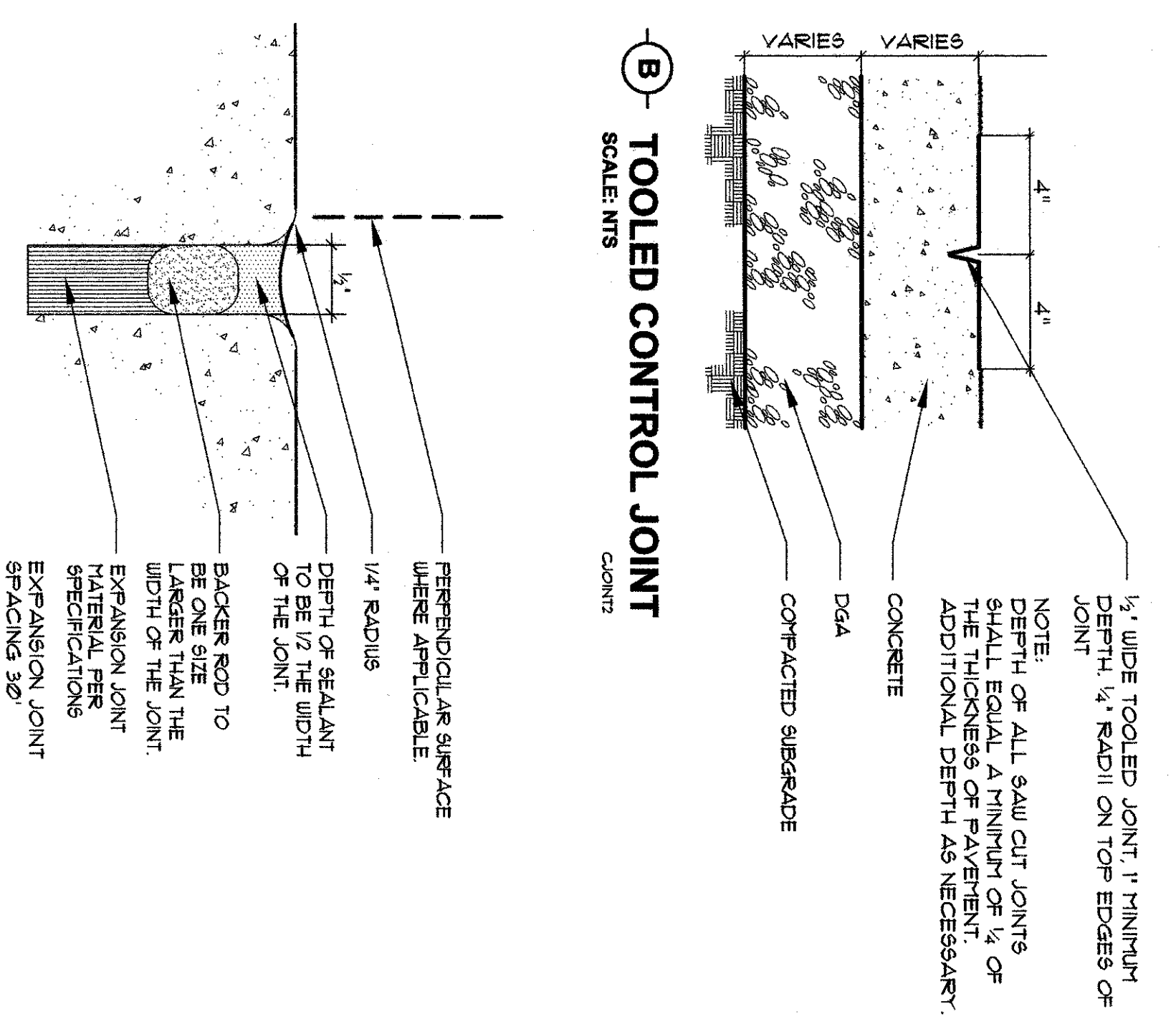


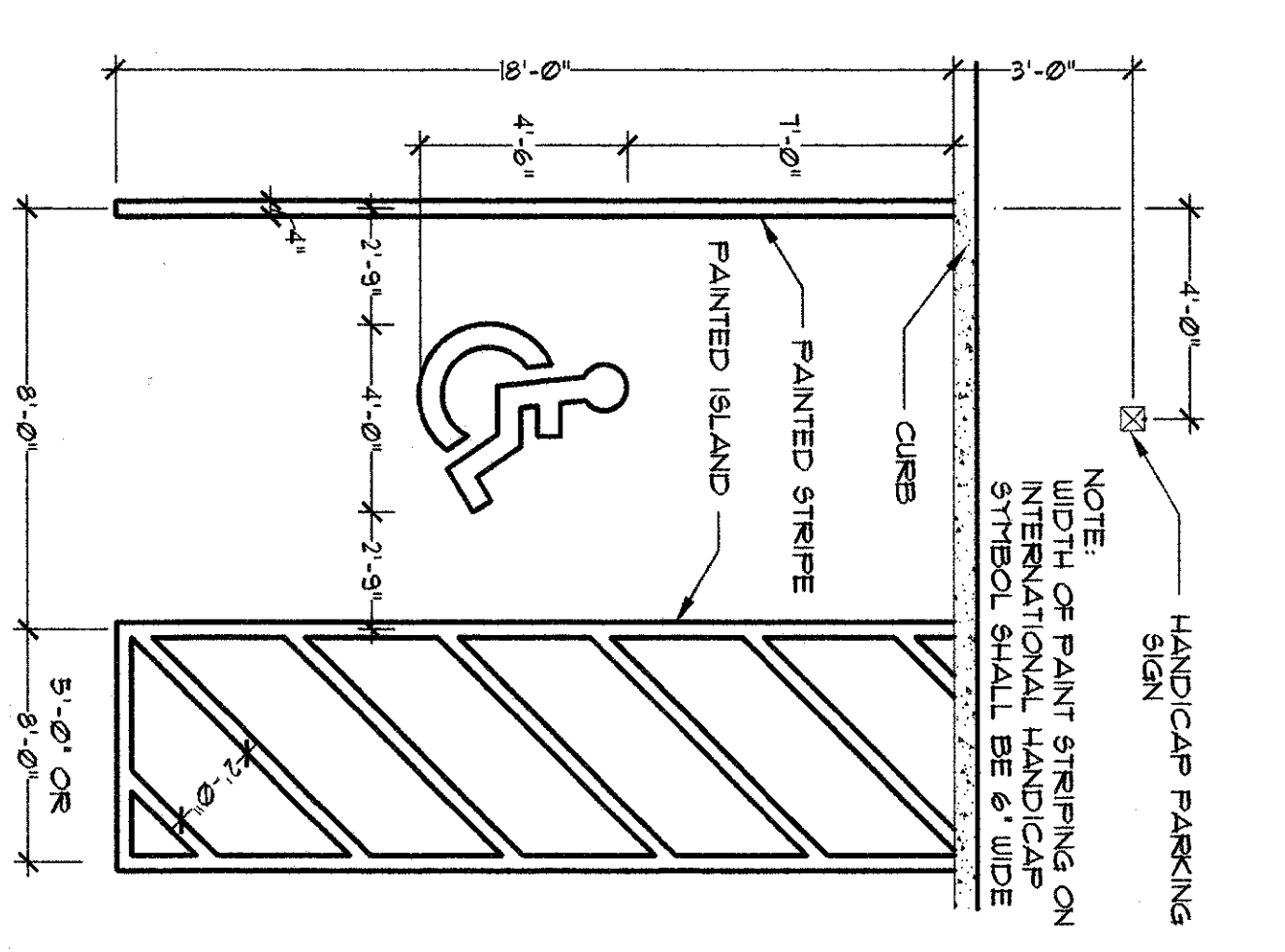
**A CONCRETE WHEEL STOP**  
SCALE: NTS



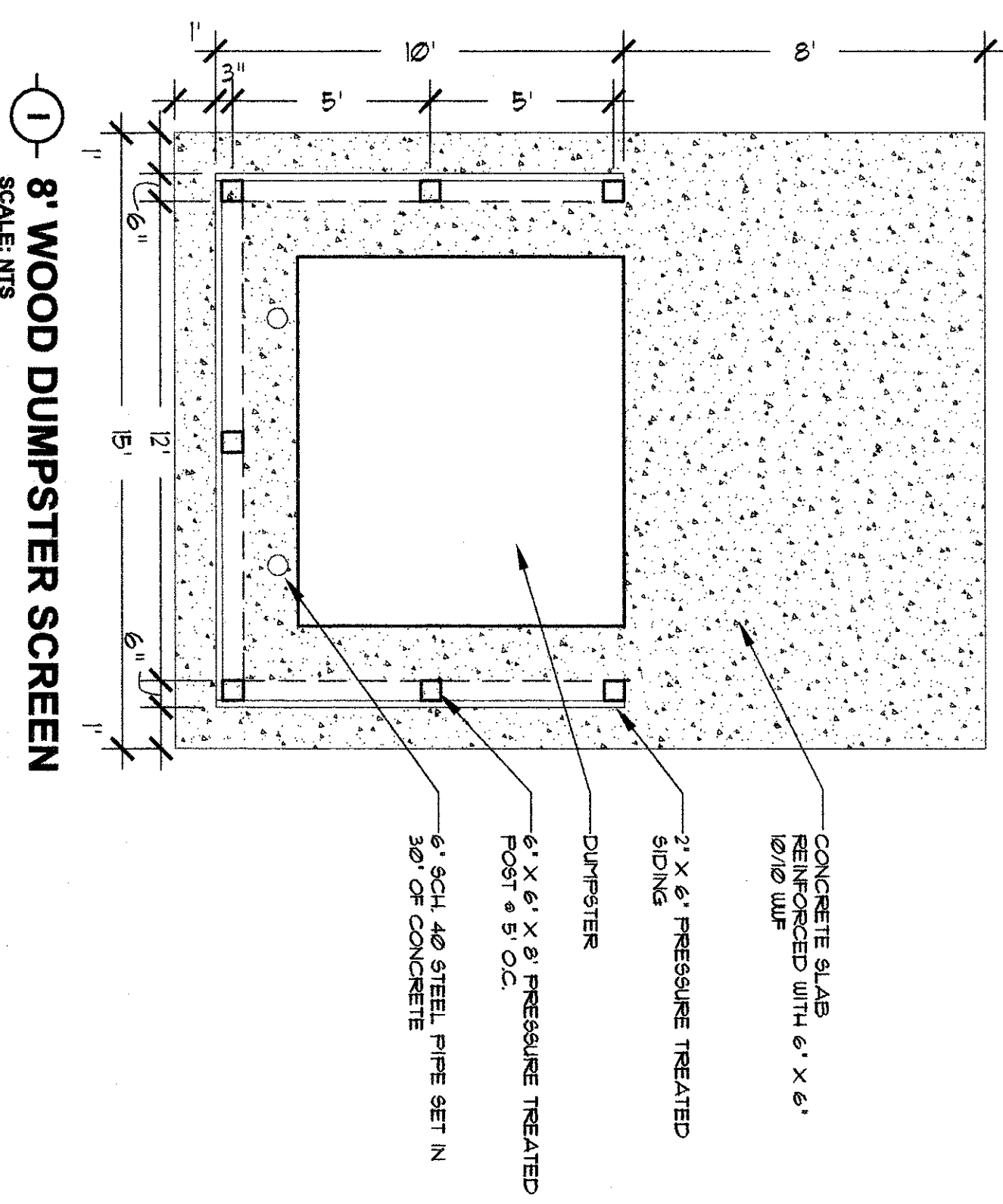
**F HANDICAP SIGN**  
SCALE: NTS



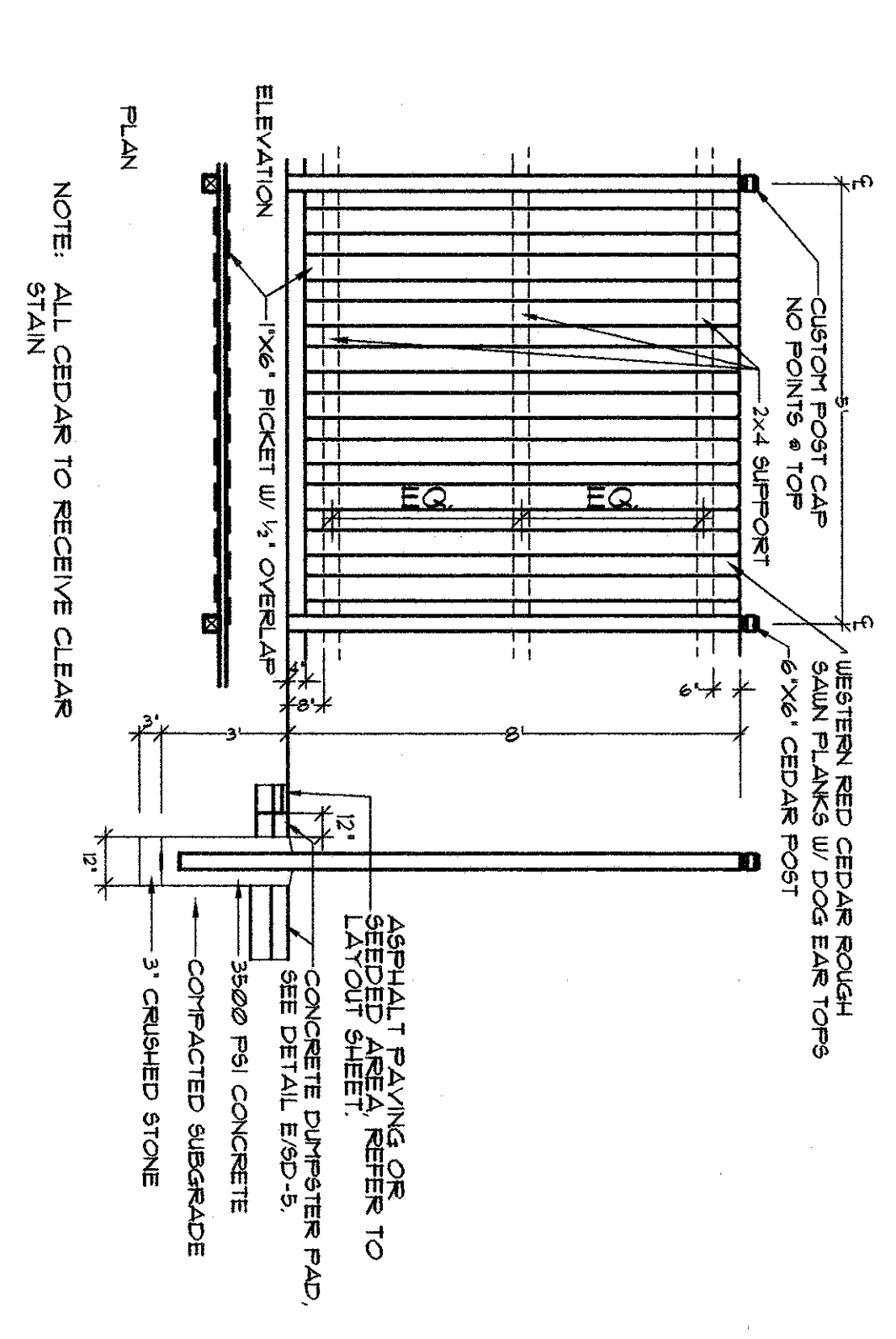
**B TOOLED CONTROL JOINT**  
SCALE: NTS



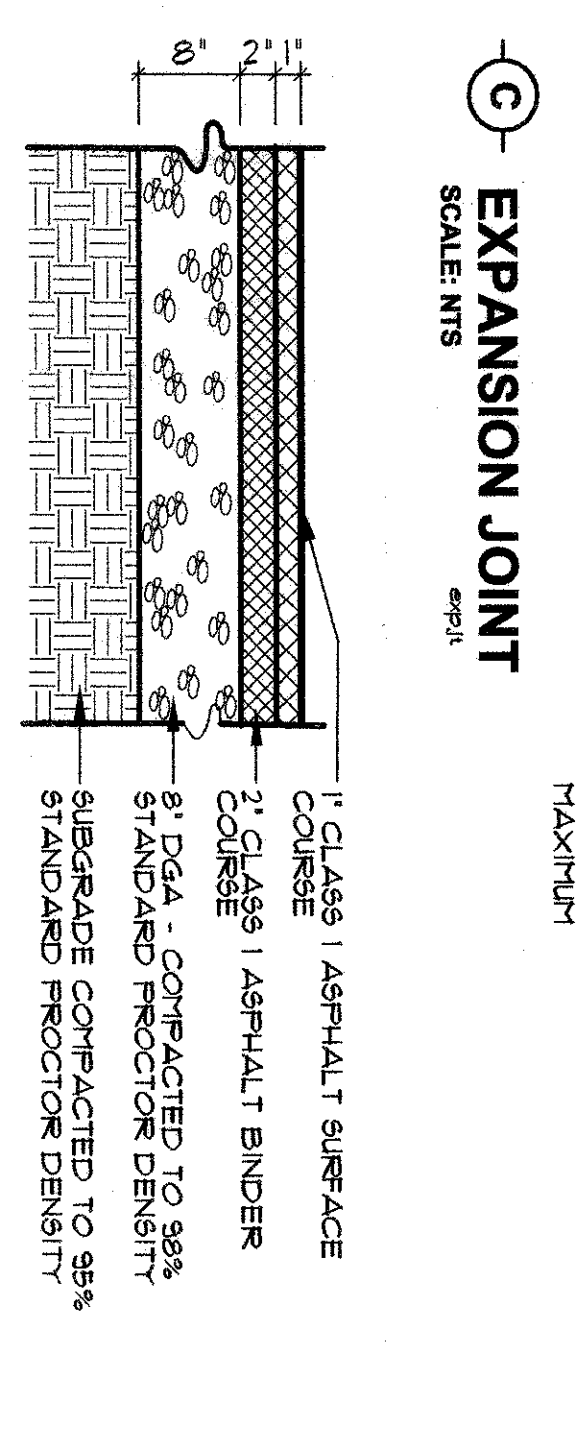
**G HANDICAP PARKING STRIPING**  
SCALE: NTS



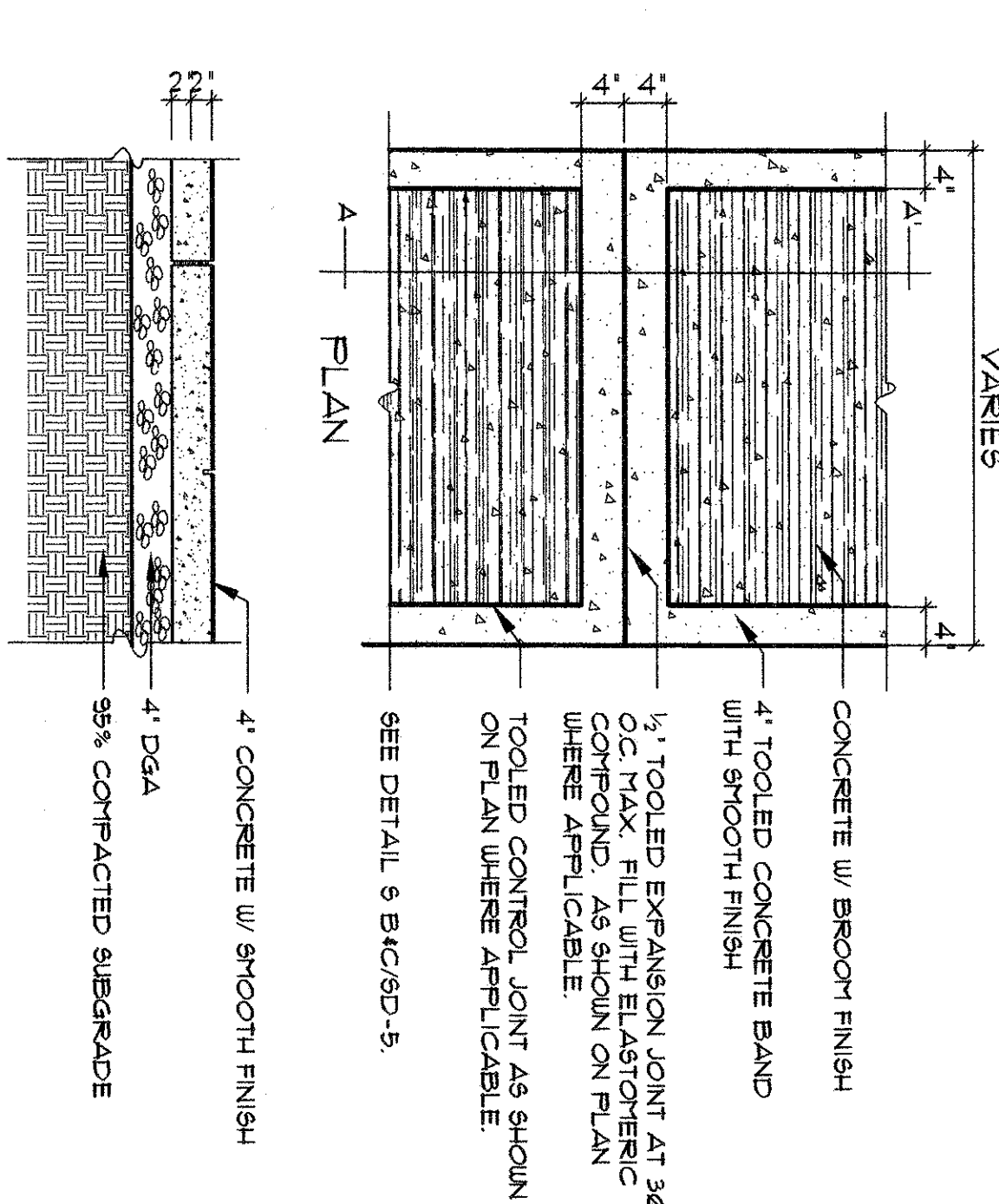
**I WOOD DUMPSTER SCREEN**  
SCALE: NTS



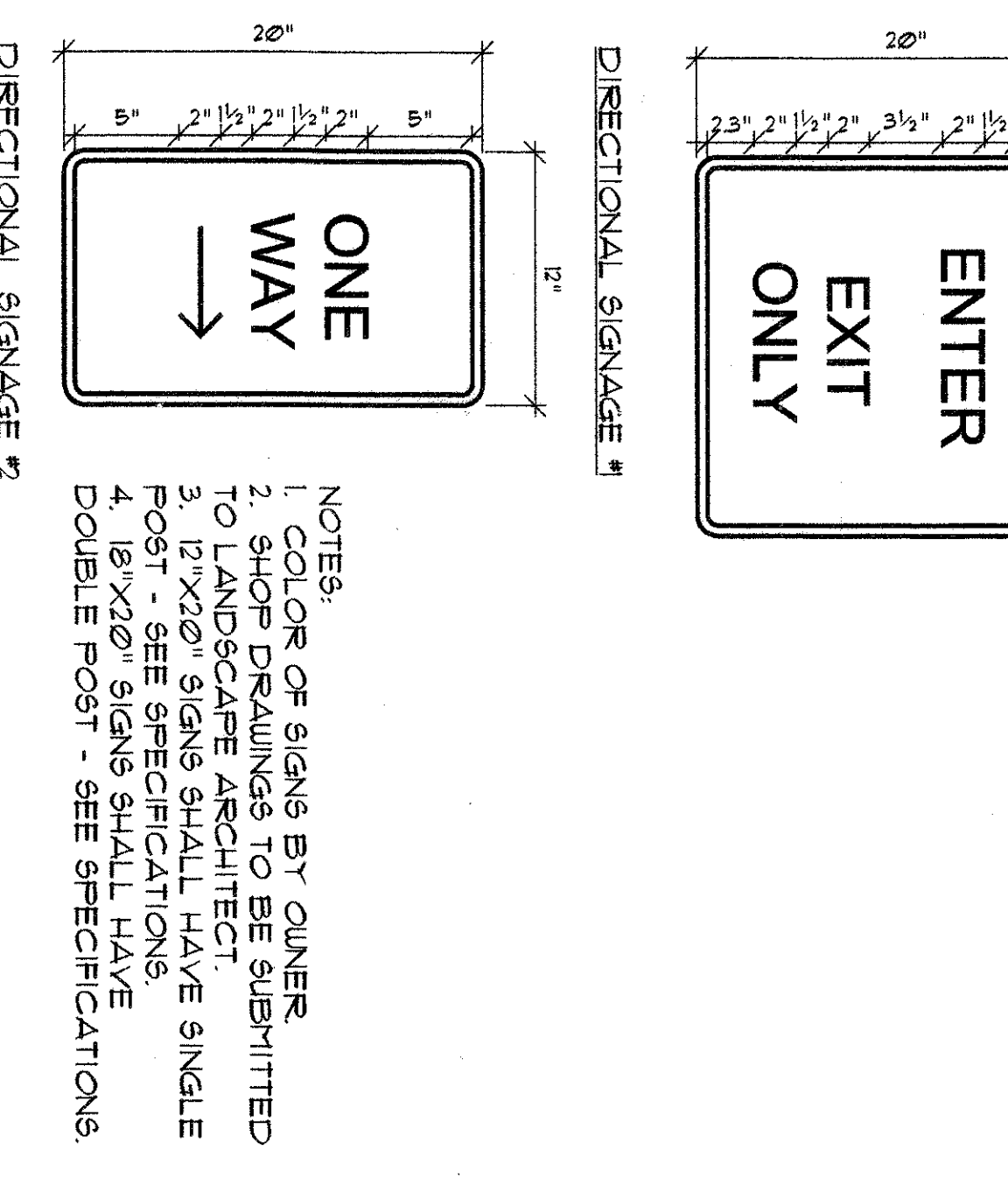
**J DIRECTIONAL SIGNAGE**  
SCALE: NTS



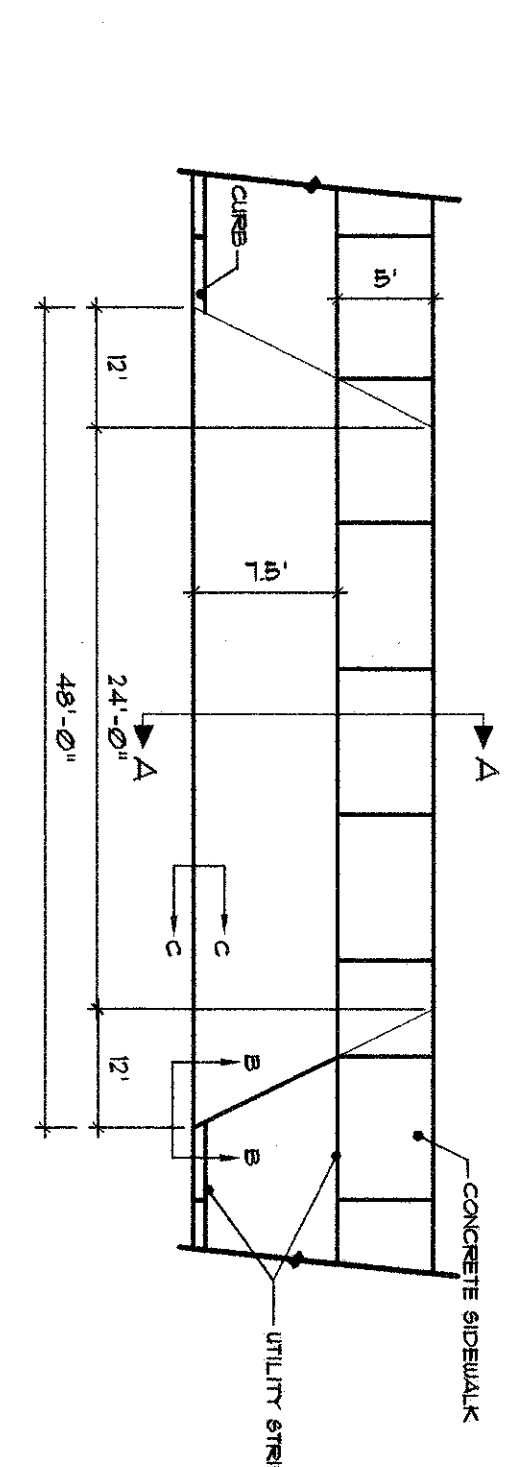
**C EXPANSION JOINT**  
SCALE: NTS



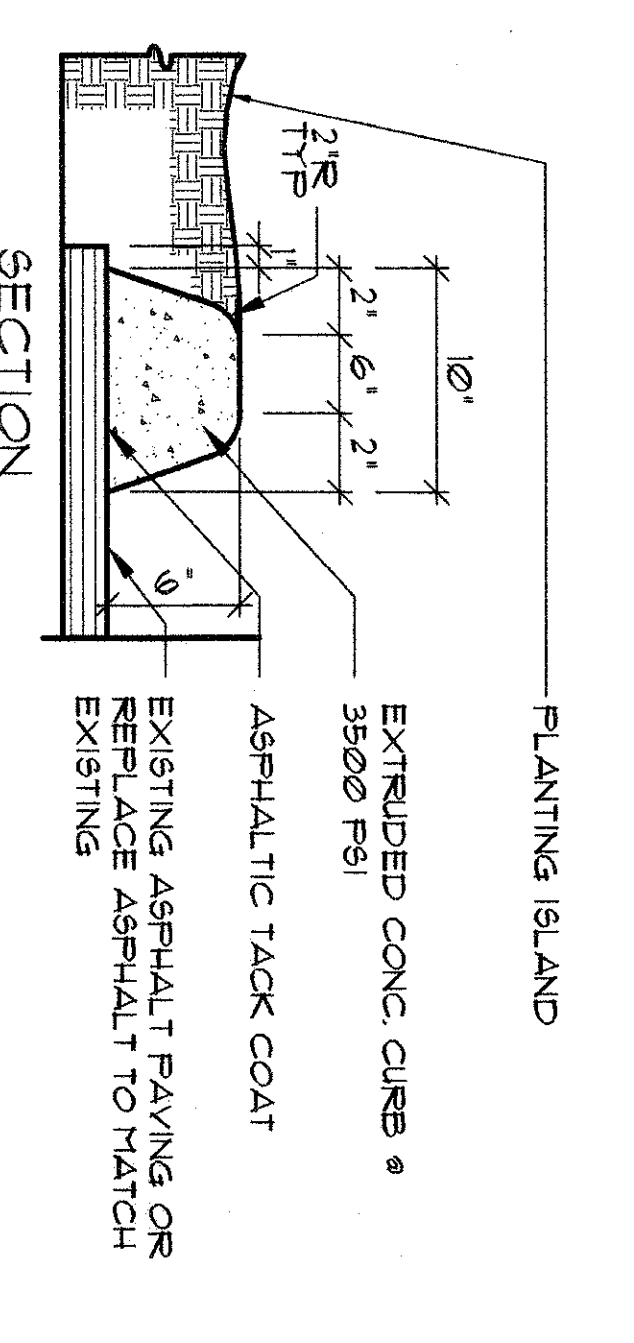
**D ASPHALT PAVING**  
SCALE: NTS



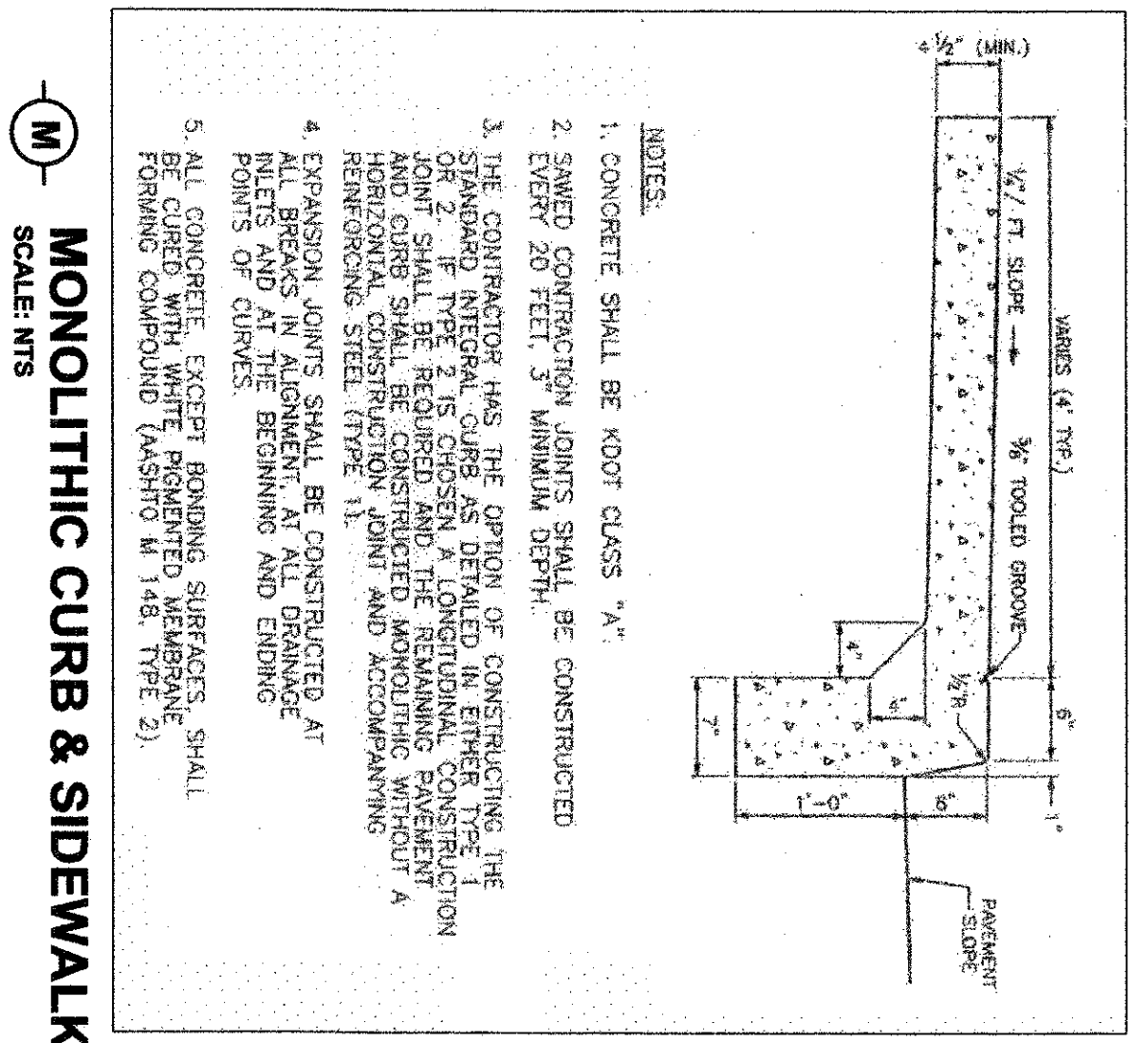
**E CONCRETE DRIVE PAVEMENT**  
SCALE: NTS



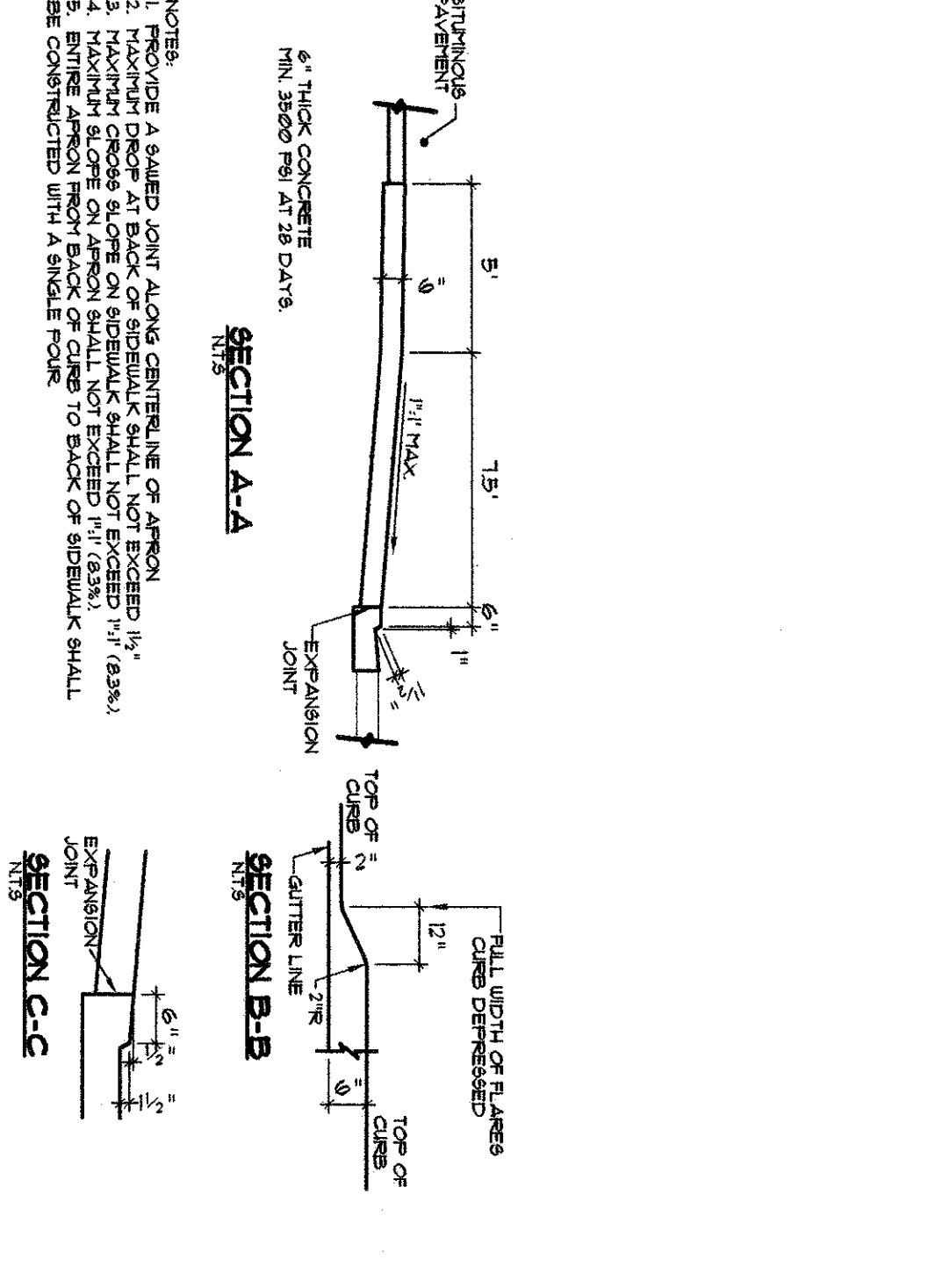
**K L.F.U.C.G. ENTRY APRON DETAIL**  
SCALE: NTS



**L EXTRUDED CONCRETE CURB**  
SCALE: NTS



**M MONOLITHIC CURB & SIDEWALK**  
SCALE: NTS



AS-BUILT DRAWING

**JOHN L. CARMAN & ASSOCIATES, INC.**  
510 Old East Vine Street  
Lexington, KY 40507 859/254-9803  
Landscape Architecture • Planning • Site Engineering

**DETAILS**  
**BOLIVAR DEVELOPMENT**  
200-224 & 225 Bolivar Street  
Lexington, Kentucky

KEVIN WARNER  
538  
1/13/03

SD-5

DATE: 02/23/02  
CHECKED: SWL  
REVISION: 1/02  
1.0 02/14

FOR LOCATION OF UNDERGROUND UTILITIES CALL BUD 1-800-753-6001 2 WORKING DAYS IN ADVANCE OF DIGGING